



US00D792195S

(12) **United States Design Patent**
Carpinella

(10) **Patent No.:** **US D792,195 S**
(45) **Date of Patent:** **** Jul. 18, 2017**

(54) **SNAP-ON CAP**

(71) Applicant: **Carpin Manufacturing Inc.,**
Waterbury, CT (US)
(72) Inventor: **Ralph Carpinella,** Woodbury, CT (US)
(73) Assignee: **Carpin Manufacturing Inc.,**
Waterbury, CT (US)

(**) Term: **15 Years**
(21) Appl. No.: **29/558,580**

(22) Filed: **Mar. 18, 2016**
(51) **LOC (10) Cl.** **08-05**
(52) **U.S. Cl.**
USPC **D8/354**
(58) **Field of Classification Search**
USPC D8/354, 374, 380; D9/434, 435, 443,
D9/454; 16/42 R
CPC A47B 91/06
See application file for complete search history.

(56) **References Cited**

U.S. PATENT DOCUMENTS

1,569,926	A *	1/1926	Hammer	B65D 41/04 215/318
3,019,933	A *	2/1962	Gould	B65D 41/18 215/277
3,907,145	A *	9/1975	Horvath	B65D 50/061 206/540
4,227,616	A *	10/1980	Lecinski, Jr.	B65D 41/16 215/246
6,102,227	A *	8/2000	Cochrane	B65D 41/3442 215/256
8,240,004	B2 *	8/2012	Carpinella	A47B 91/066 16/42 R
2011/0197390	A1 *	8/2011	Carpinella	A47B 91/066 16/30

OTHER PUBLICATIONS

Snap-on Caps, posted at floorsaverglide.com, posting date not given, [online], [site visited Jan. 10, 2017]. Available from Internet, <URL: http://www.floorsaverglide.com/catalog/index.php?cPath=21_26>.*

* cited by examiner

Primary Examiner — Caron D Veynar
Assistant Examiner — Maria Edwards
(74) *Attorney, Agent, or Firm* — Carmody Torrance Sandak & Hennessey LLP

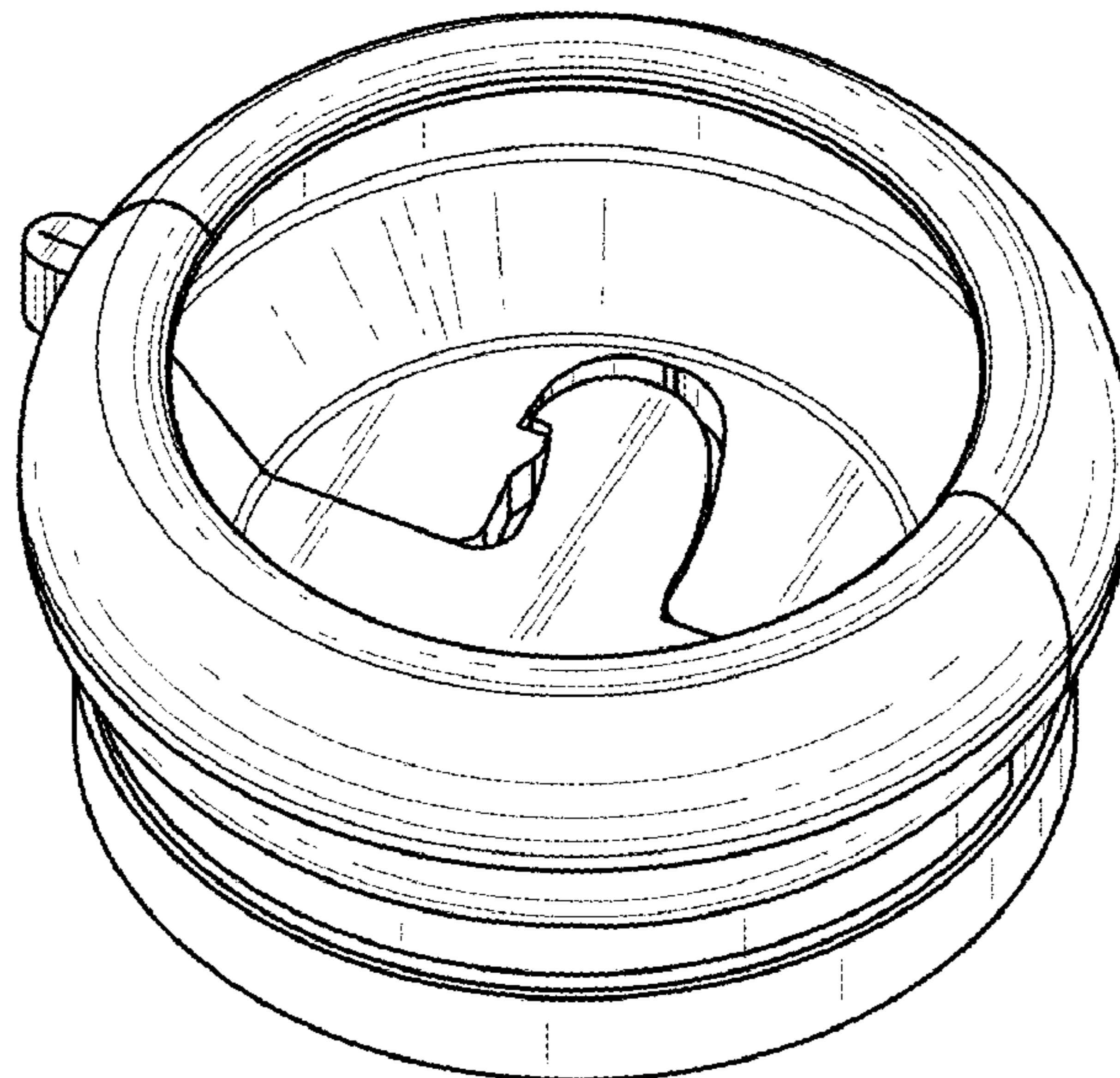
(57) **CLAIM**

The ornamental design for a snap-on cap, as shown and described.

DESCRIPTION

FIG. 1 is a top-right front perspective view of a snap-on cap in a closed position showing my new design;
FIG. 2 is a front side view of the snap-on cap in the closed position of FIG. 1.
FIG. 3 is a rear side view of the snap-on cap of FIG. 1;
FIG. 4 is a right side view of the snap-on cap of FIG. 1;
FIG. 5 is a left side view of the snap-on cap of FIG. 1;
FIG. 6 is a top plan view of the snap-on cap of FIG. 1; and,
FIG. 7 is a top-left front perspective view of the snap-on cap in the fully open position of FIG. 1.
In FIG. 7, the cap is fully open. The cap may be opened any extent between the closed position of FIG. 1 and the fully open position of FIG. 7.

1 Claim, 2 Drawing Sheets



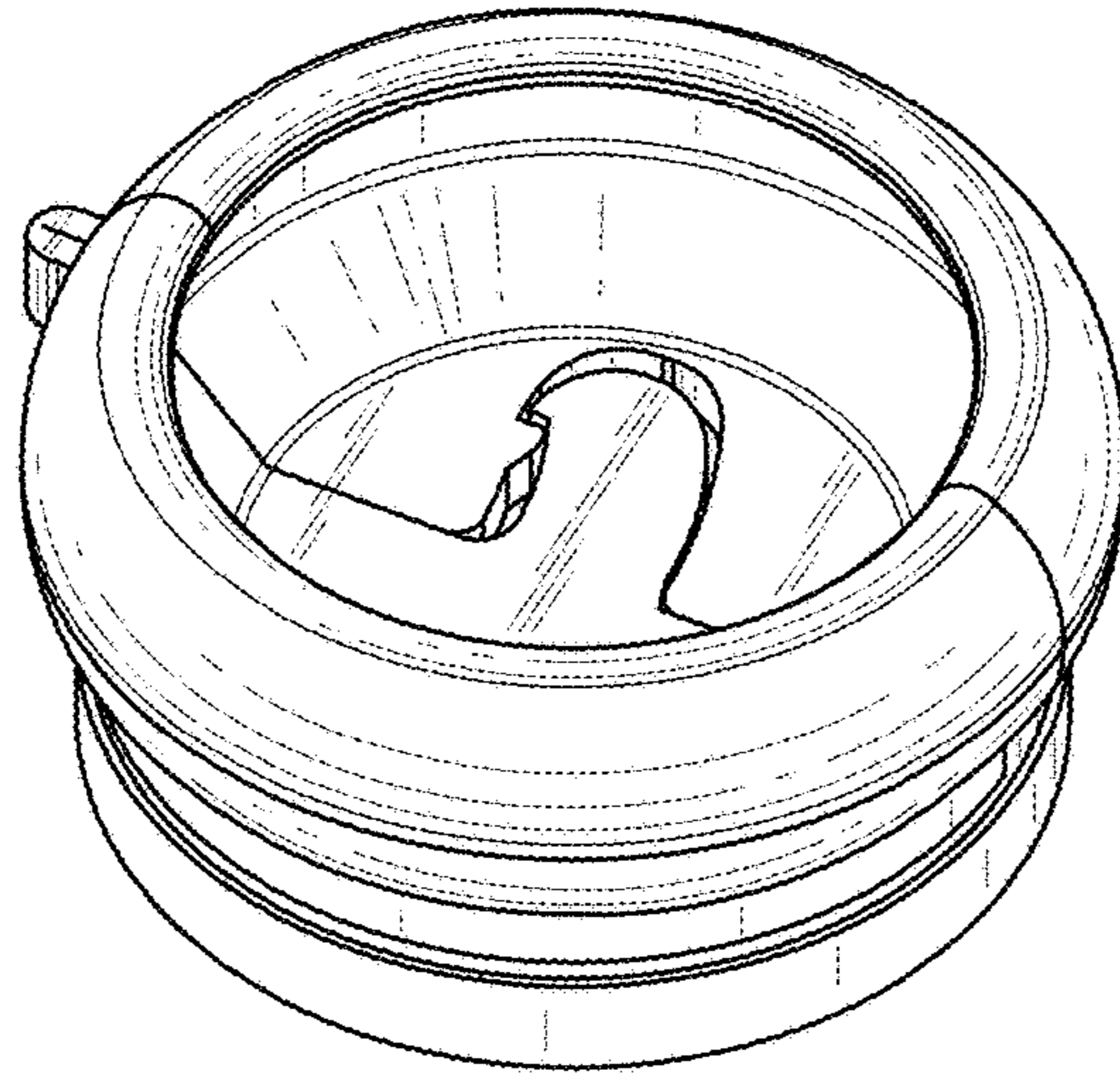


FIG. 1

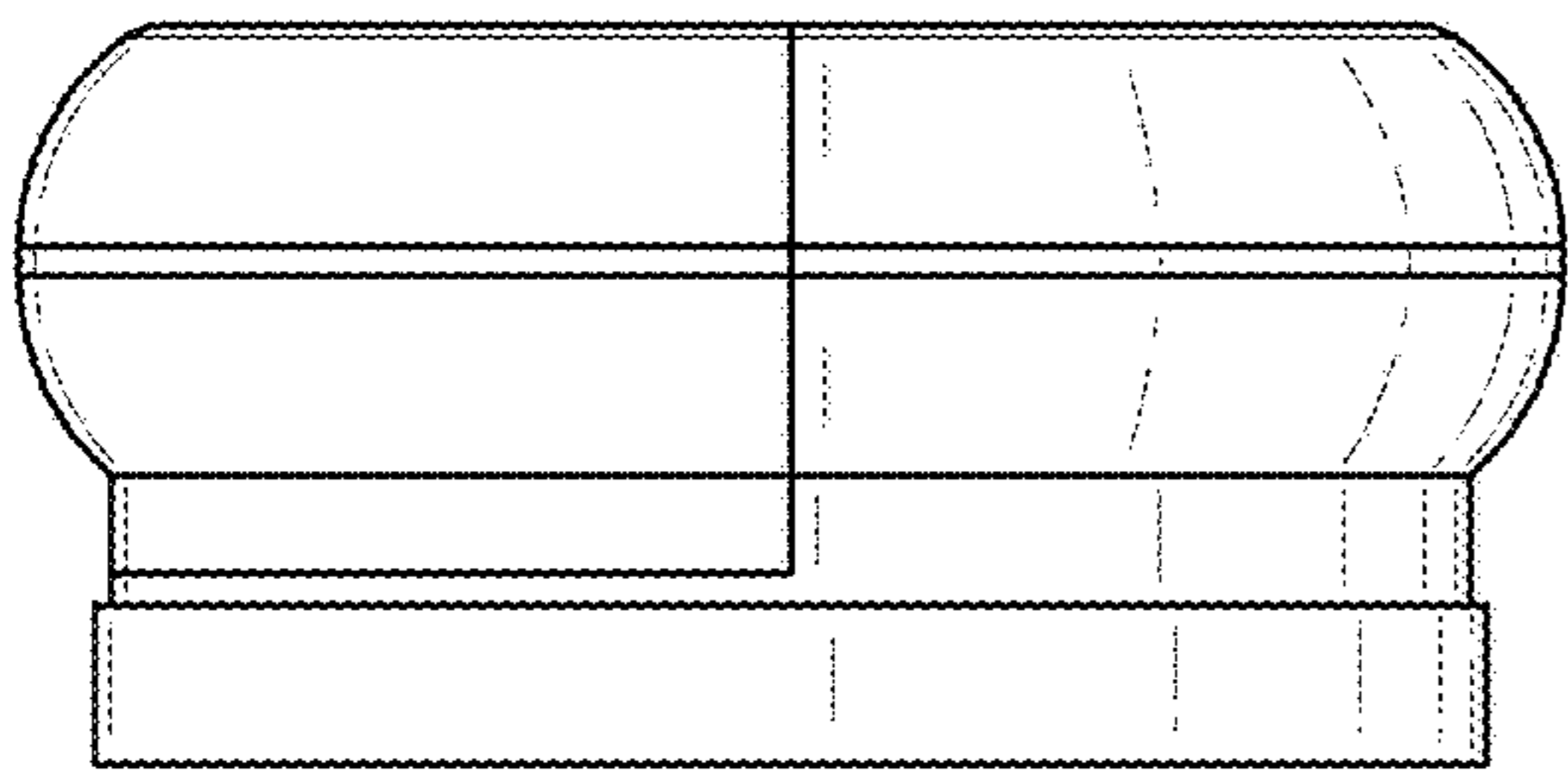


FIG. 4

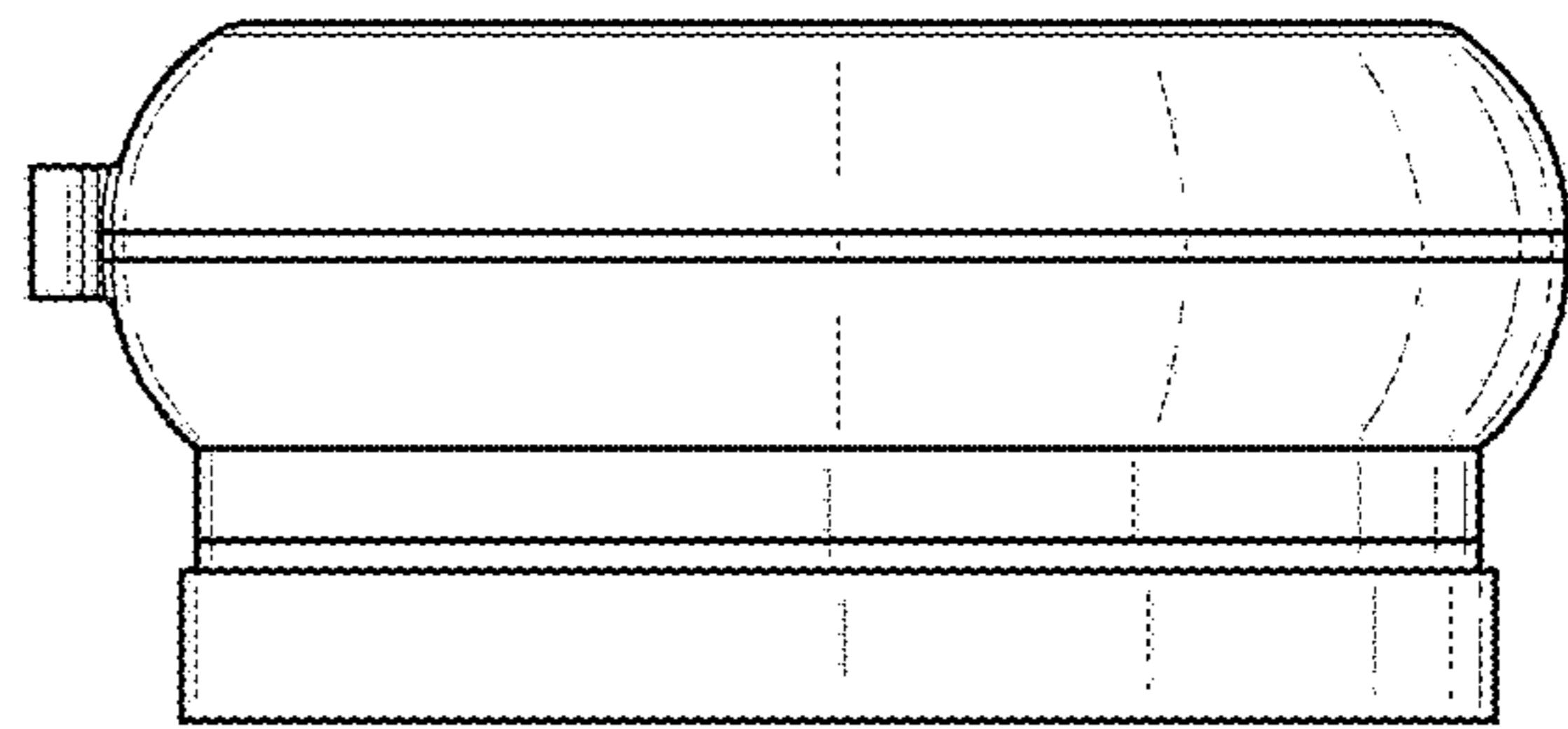


FIG. 2

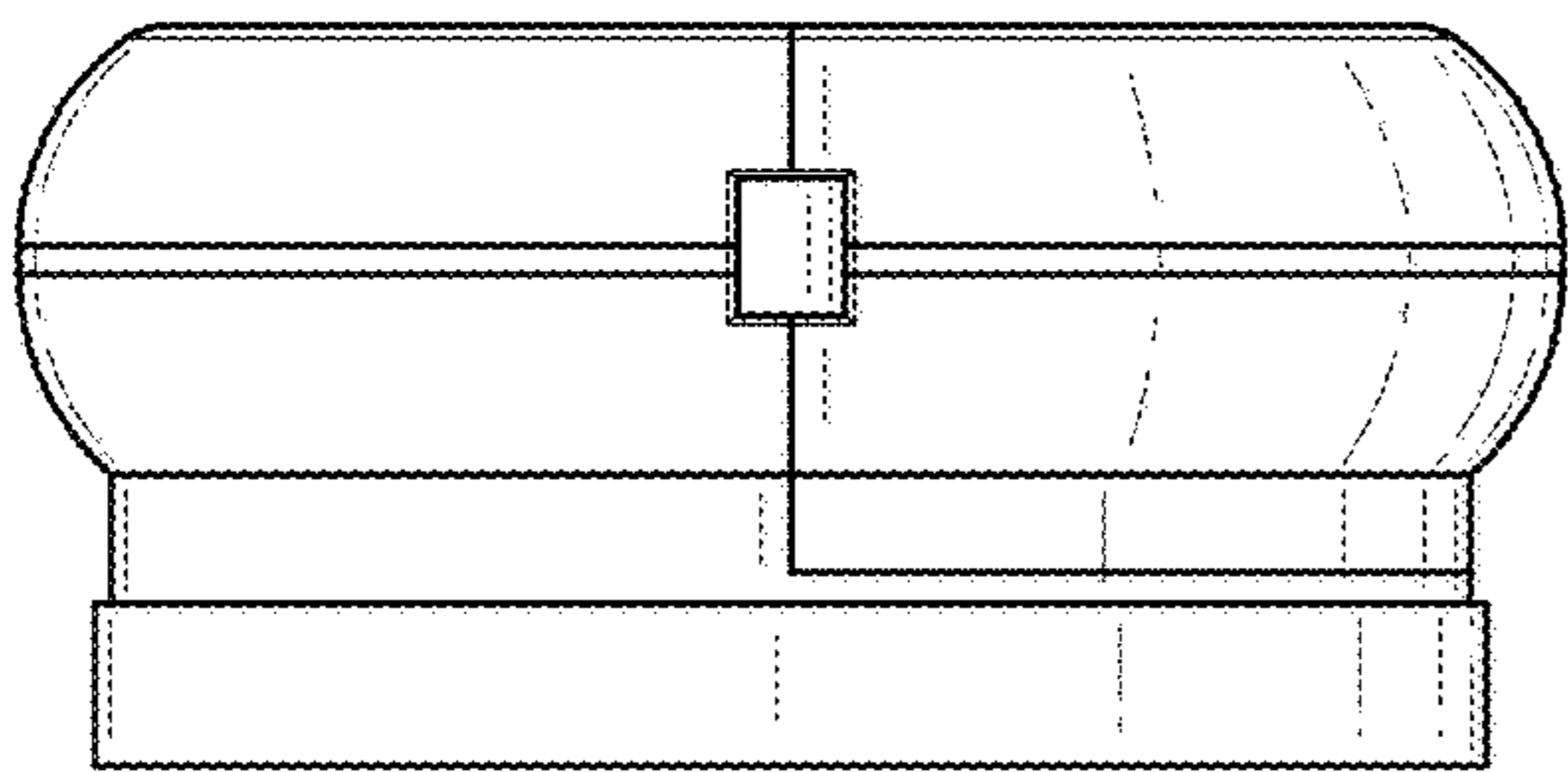


FIG. 5

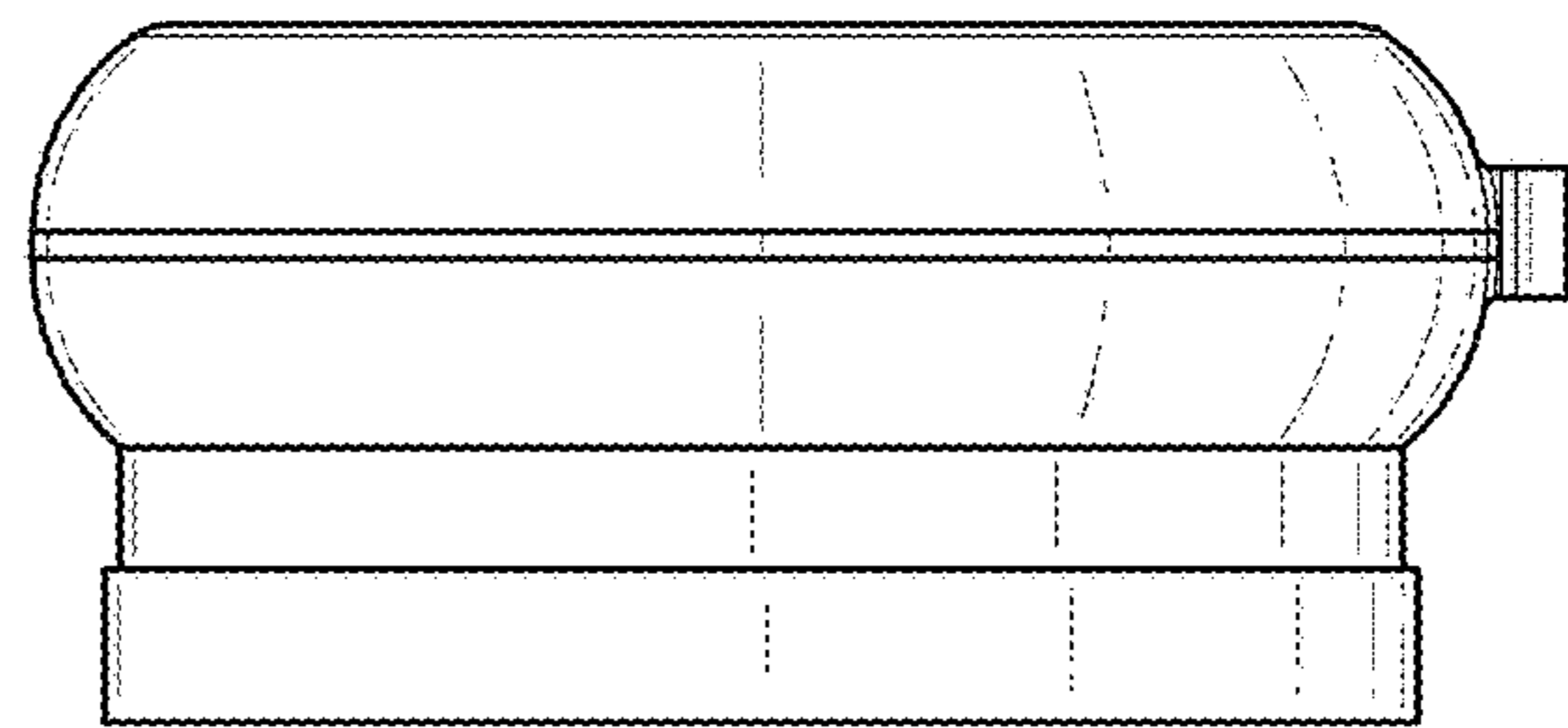


FIG. 3

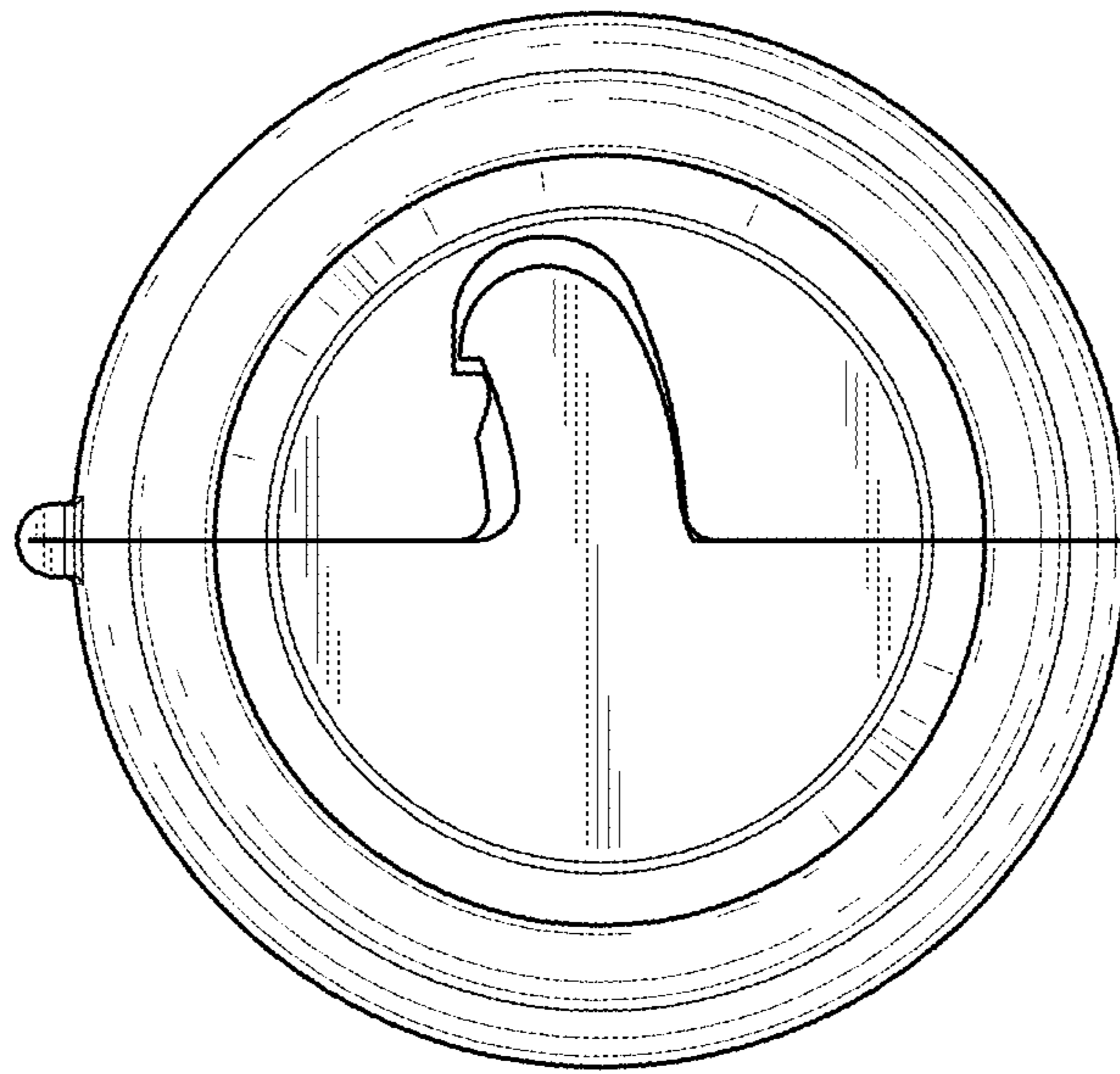


FIG. 6

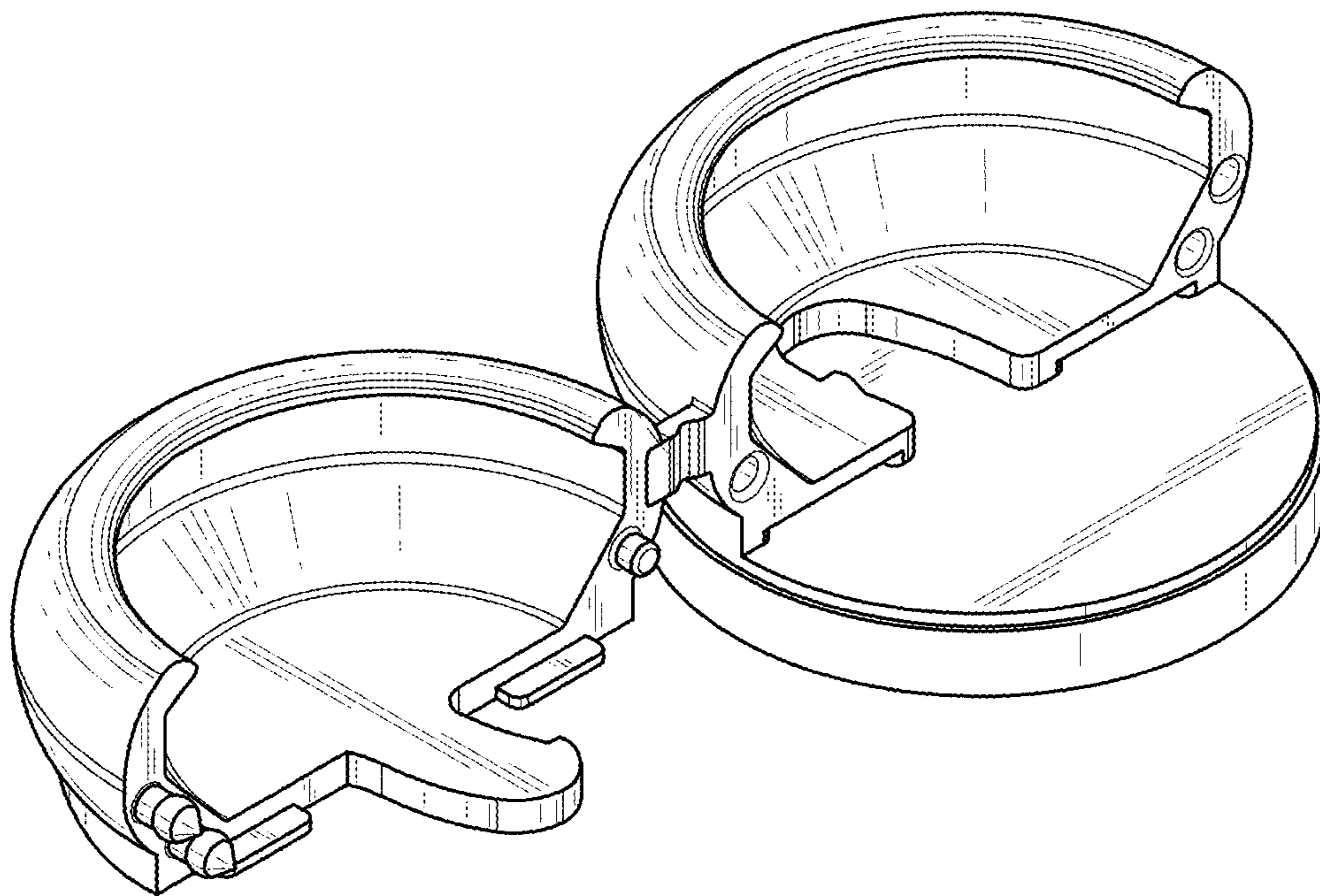


FIG. 7