



US00D792193S

(12) **United States Design Patent** (10) **Patent No.:** **US D792,193 S**  
**Ullbors** (45) **Date of Patent:** **\*\* Jul. 18, 2017**

(54) **CRIMPING GUIDE DIE**  
(71) Applicant: **Pressmaster AB, Älvdalen (SE)**  
(72) Inventor: **Daniel Ullbors, Mora (SE)**  
(73) Assignee: **Pressmaster AB, Älvdalen (SE)**  
(\*\*) Term: **14 Years**

D575,735 S \* 8/2008 Foreman ..... D13/119  
D646,537 S \* 10/2011 Kidd ..... B21D 39/046  
D8/56  
D756,187 S \* 5/2016 Ullbors ..... D8/52  
D759,452 S \* 6/2016 Persson ..... D8/52  
D768,451 S \* 10/2016 Persson ..... D8/52

\* cited by examiner

(21) Appl. No.: **29/507,635**  
(22) Filed: **Oct. 29, 2014**

*Primary Examiner* — Lakiya Rogers  
*Assistant Examiner* — Harold E Blackwell, II  
(74) *Attorney, Agent, or Firm* — Studebaker & Brackett  
PC

(30) **Foreign Application Priority Data**

Jul. 15, 2014 (EM) ..... 002502708-0002

(51) **LOC (10) Cl.** ..... **08-05**

(52) **U.S. Cl.**  
USPC ..... **D8/354**

(58) **Field of Classification Search**  
USPC ..... D14/300-302, 314, 348-370, 383-385,  
D14/435, 496, 125, 135, 155, 240-242,  
D14/299; D13/103, 119, 162, 184, 199,  
D13/147, 158, 123; D10/65, 75, 78;  
D9/432; D3/273; D8/51-52, 56, 60-61,  
D8/107, 354, 360.1  
CPC ... H01R 4/32; H01R 4/60; H01R 4/36; H01R  
11/12; H01R 4/363; H01R 4/366; H01R  
4/301; G11B 33/027; G11B 33/122;  
G11B 33/124; G11B 33/022; G11B  
33/025

See application file for complete search history.

(56) **References Cited**

**U.S. PATENT DOCUMENTS**

6,430,794 B1 \* 8/2002 McKee ..... B21D 39/031  
29/243.5  
6,769,173 B2 \* 8/2004 Chadbourne ..... H01R 43/0428  
29/283.5

(57) **CLAIM**

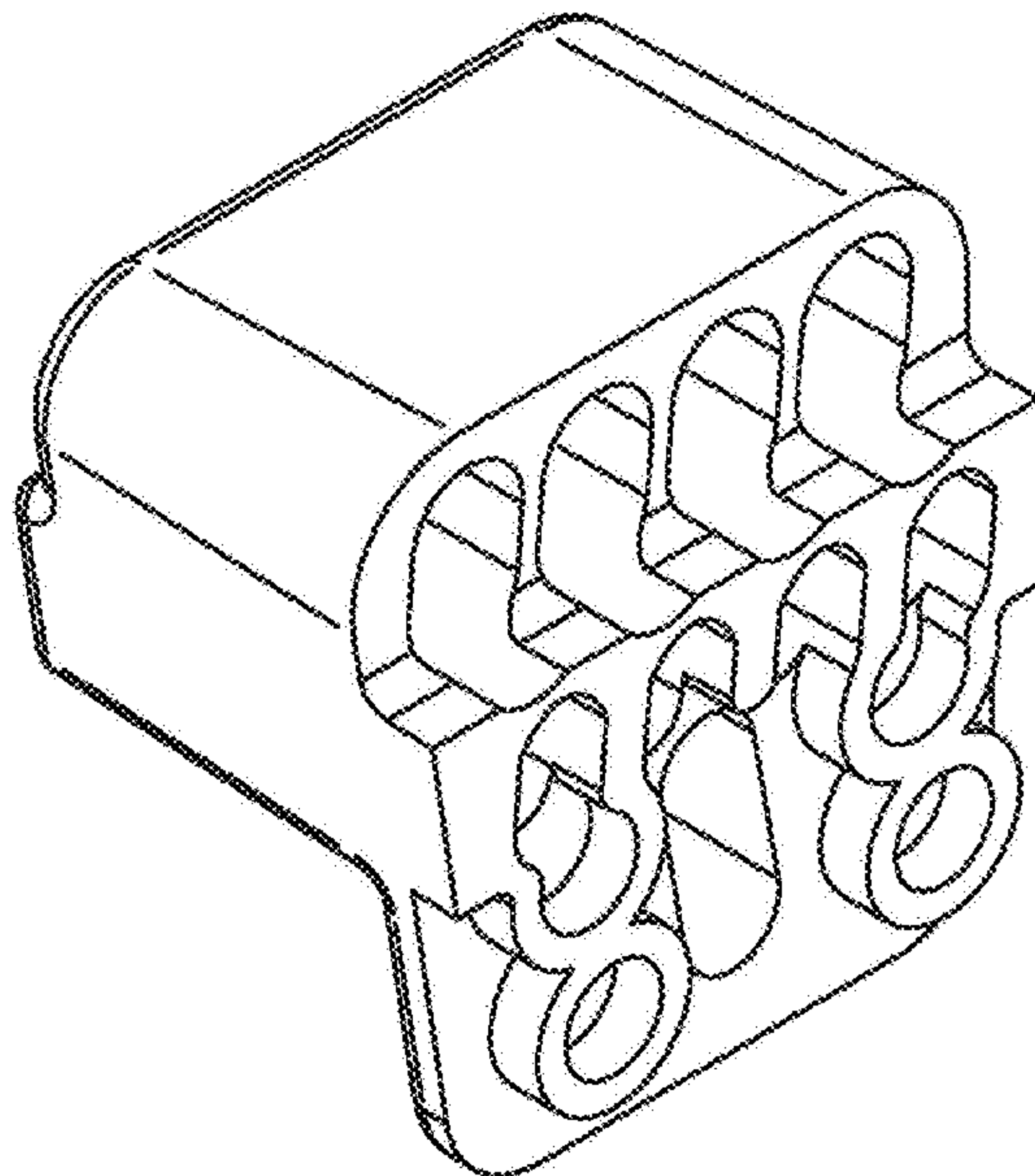
The ornamental design for a crimping guide die, as shown and described.

**DESCRIPTION**

FIG. 1 is a perspective view showing my new design for a crimping guide die,  
FIG. 2 is a front view thereof,  
FIG. 3 is a rear view thereof,  
FIG. 4 is a right side view thereof,  
FIG. 5 is a left side view thereof,  
FIG. 6 is a top view thereof; and,  
FIG. 7 is a bottom thereof.

The broken lines in the drawings are for the purpose of illustrating unclaimed portions of the crimping guide die and form no part of the claimed design.

**1 Claim, 7 Drawing Sheets**



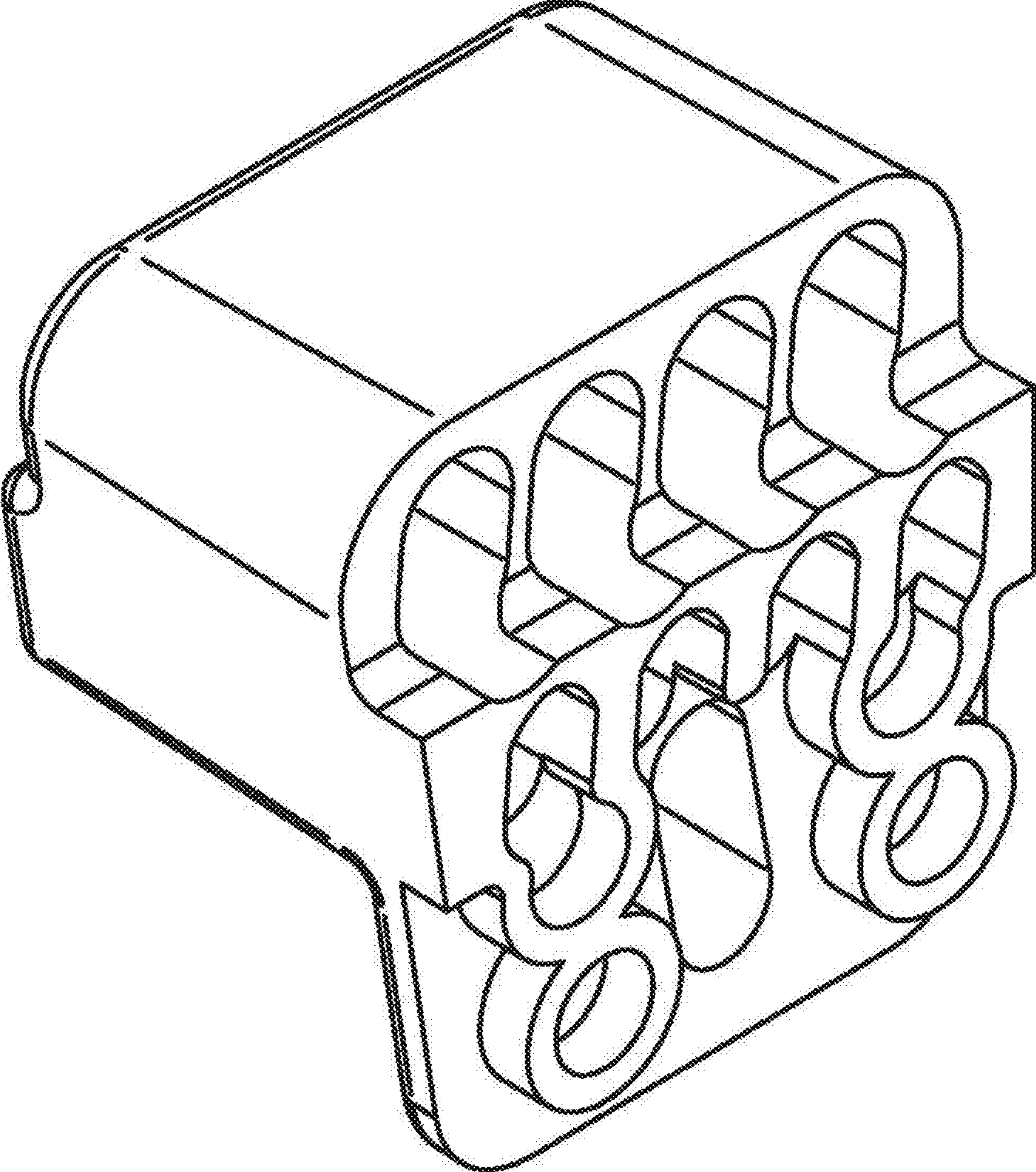


FIG. 1

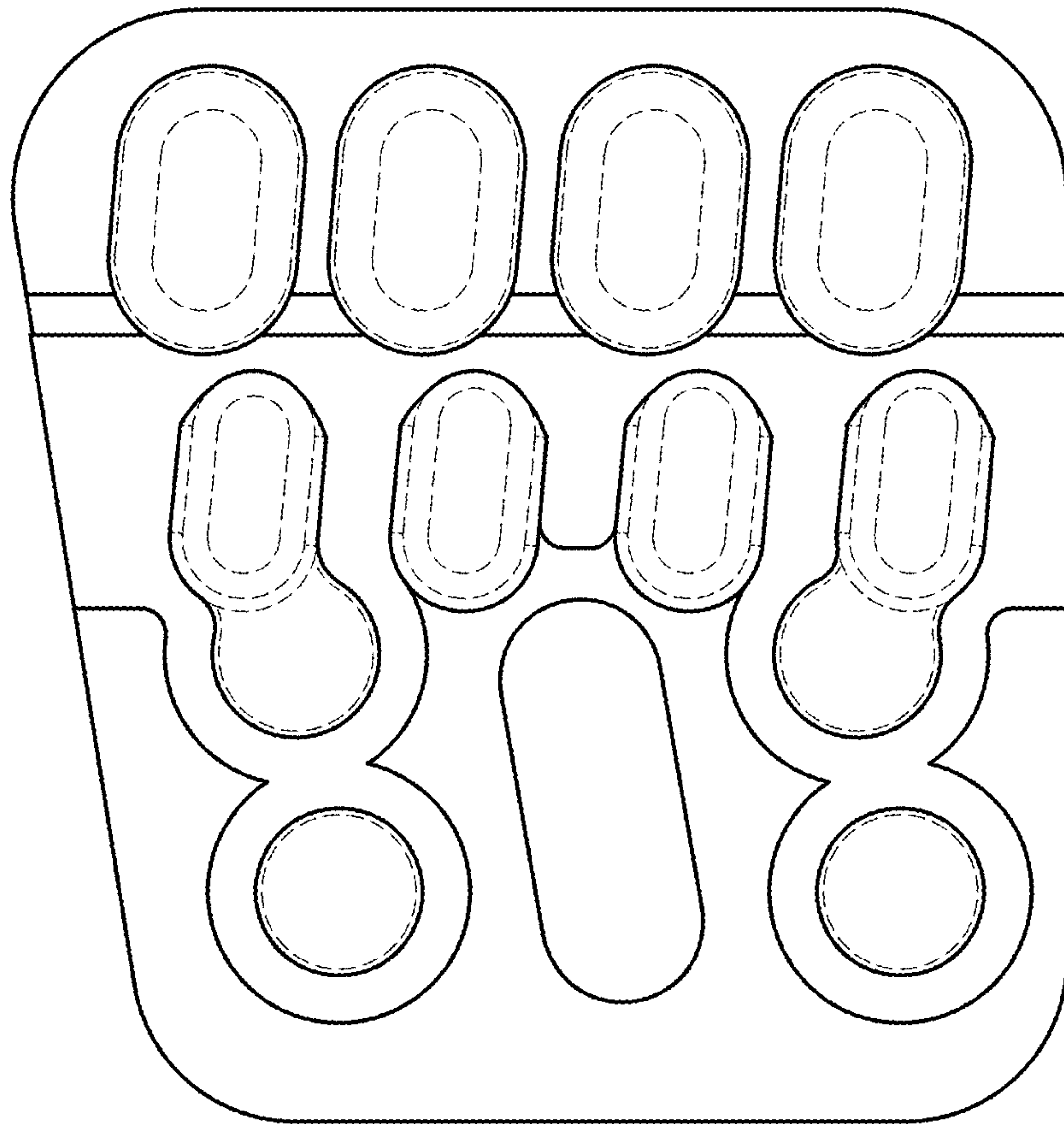


FIG. 2

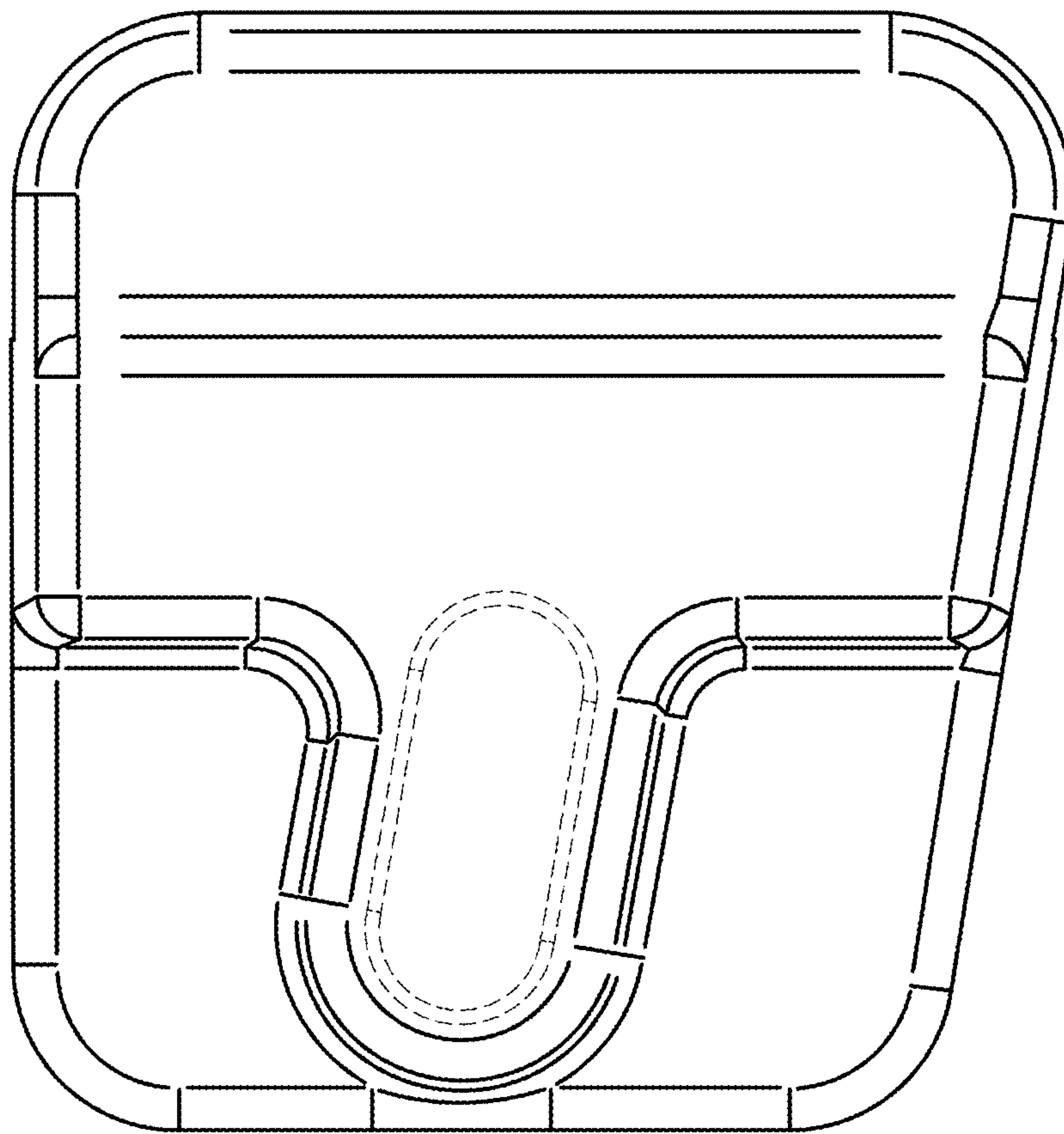


FIG. 3



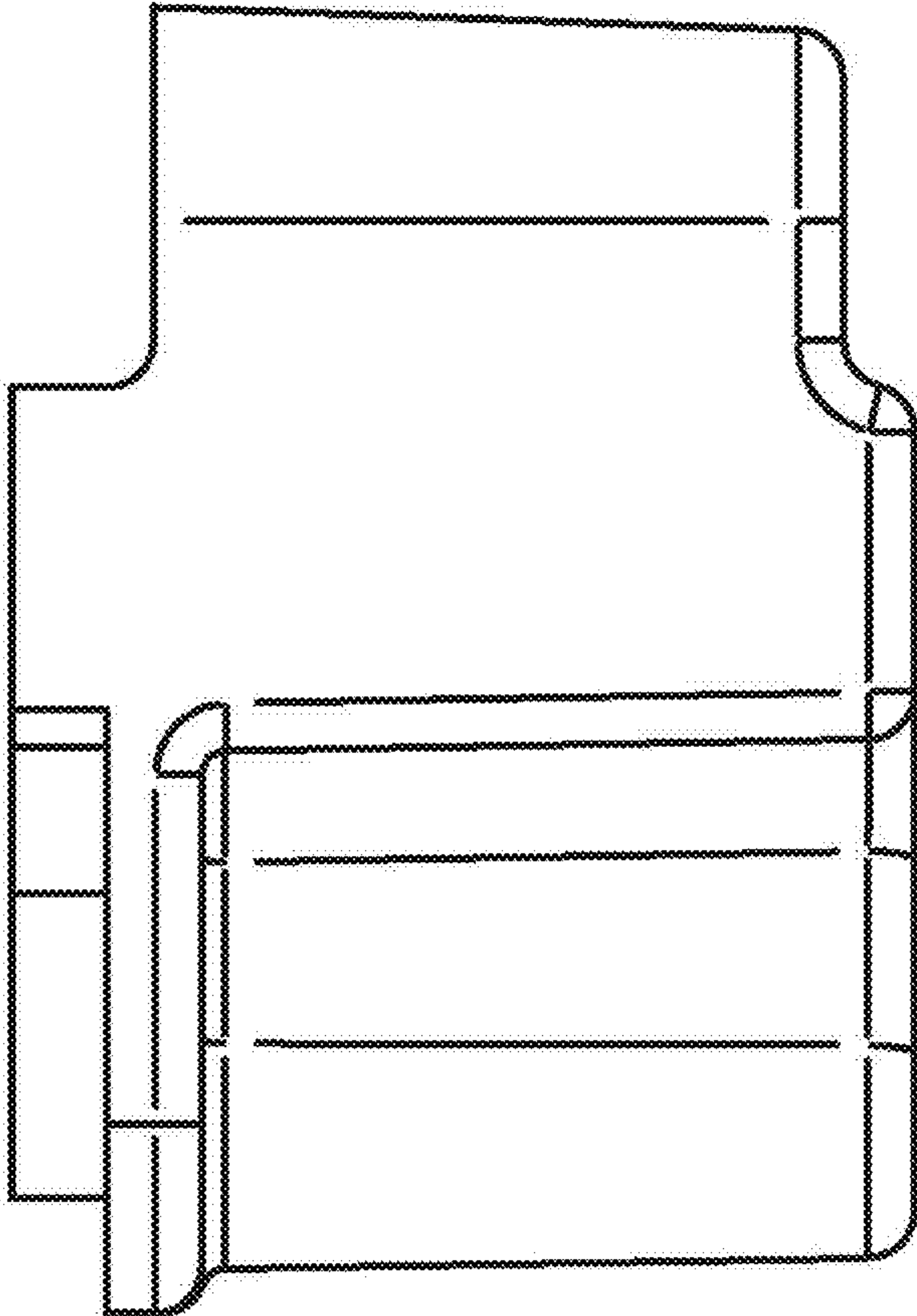


FIG. 4

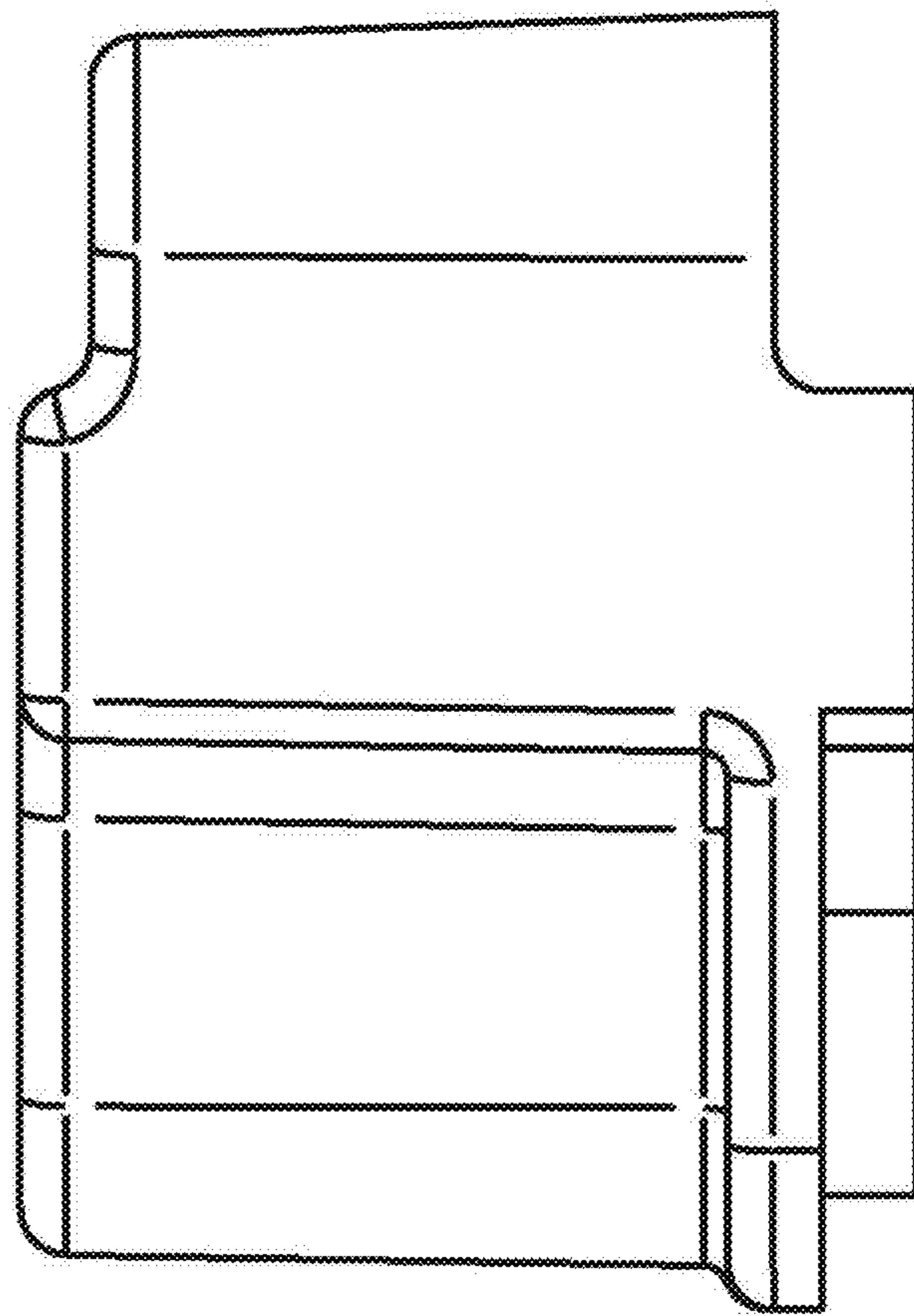


FIG. 5

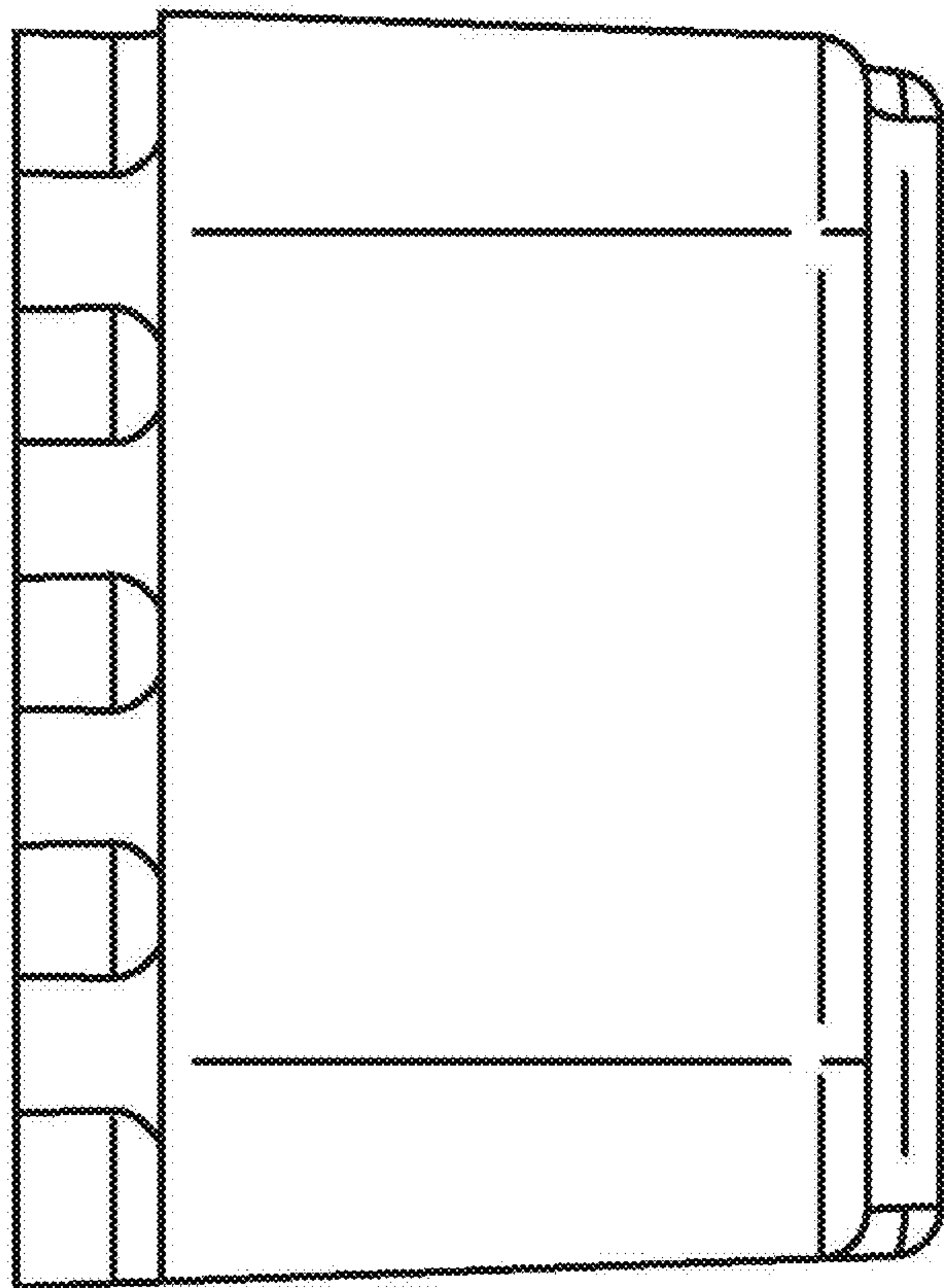


FIG. 6

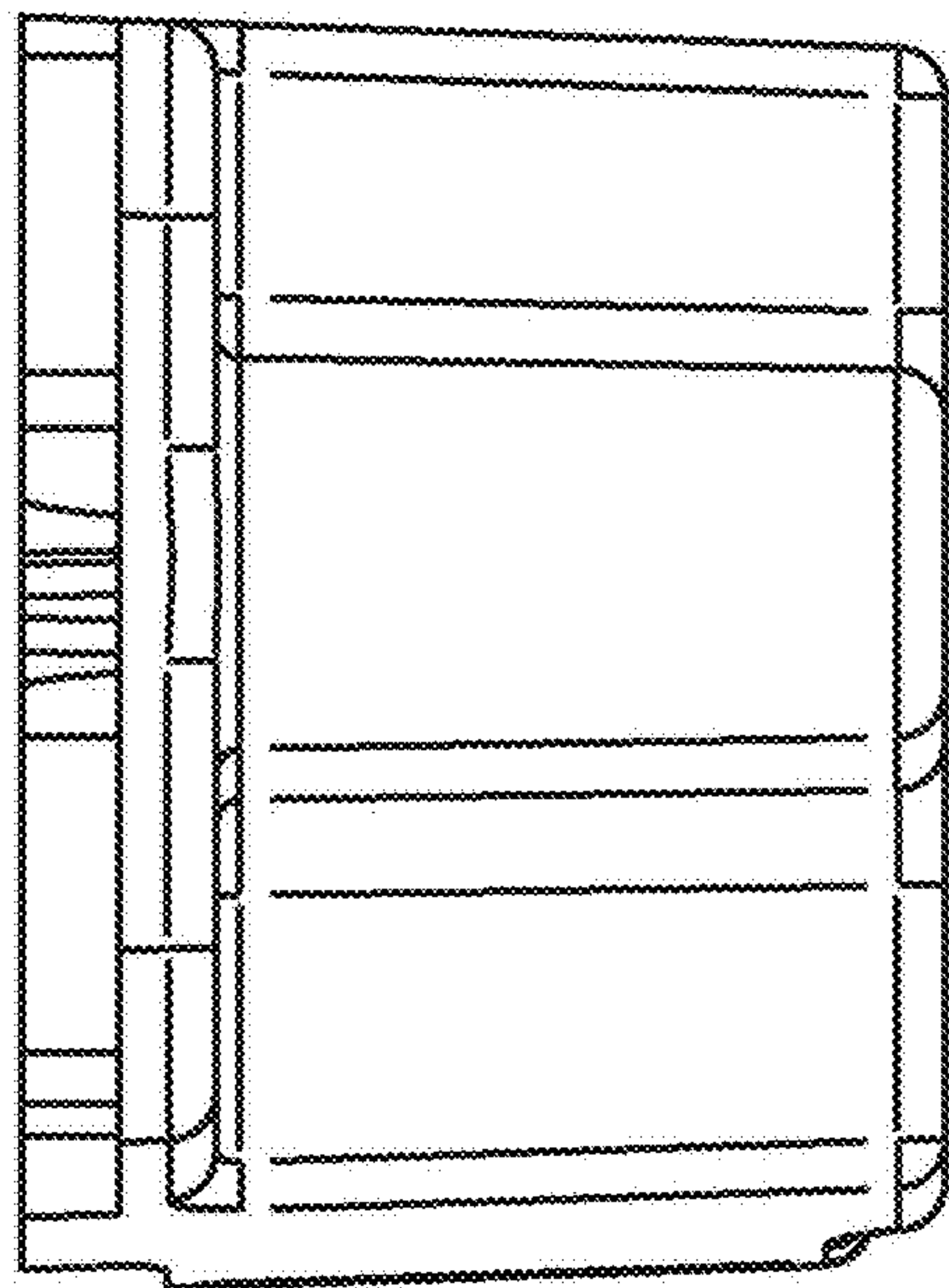


FIG. 7