

US00D792191S

(12) **United States Design Patent**
Ku

(10) **Patent No.:** **US D792,191 S**
(45) **Date of Patent:** **** Jul. 18, 2017**

- (54) **SWITCH WITH BOOK-SHAPED PACKAGING**
- (71) Applicant: **Che-Ming Ku**, Taichung (TW)
- (72) Inventor: **Che-Ming Ku**, Taichung (TW)
- (**) Term: **15 Years**
- (21) Appl. No.: **29/547,304**
- (22) Filed: **Dec. 2, 2015**

Related U.S. Application Data

- (63) Continuation-in-part of application No. 29/516,131, filed on Jan. 29, 2015.
- (51) **LOC (10) Cl.** **08-07**
- (52) **U.S. Cl.**
USPC **D8/330**
- (58) **Field of Classification Search**
USPC D8/330, 331, 333, 317, 335, 336, 337, D8/338, 341, 342, 348, 350, 352; 70/14, 70/20, 21, 24, 27, 32, 39, 41, 52-56, 86, 70/423, 57, DIG. 38, DIG. 39; D13/173, D13/177, 152, 156, 153; 200/333, 345, 200/293, 19.35
CPC E05B 45/06; E05B 17/00; E05B 17/14; E05B 47/00; E05B 49/00; E05B 37/00; E05B 13/00; G05B 19/00
See application file for complete search history.

(56) **References Cited**

U.S. PATENT DOCUMENTS

- 6,720,861 B1 * 4/2004 Rodenbeck G07C 9/00103 340/5.6
- D501,449 S * 2/2005 Thomas, Jr. D13/169
- 7,977,594 B1 * 7/2011 Miserendino H01H 21/08 200/330
- D676,019 S * 2/2013 Andre D14/203.7
- D690,659 S * 10/2013 Peltola D13/158

- 8,717,744 B2 * 5/2014 Michaelis H02B 1/14 361/641
- 8,869,574 B2 * 10/2014 Schmidt-Lackner . E05B 17/147 292/244
- 8,931,315 B2 * 1/2015 Frolov E05B 47/0692 70/222

(Continued)

Primary Examiner — Prabhakar G Deshmukh
(74) *Attorney, Agent, or Firm* — Hamre, Schumann, Mueller & Larson, P.C.

(57) **CLAIM**

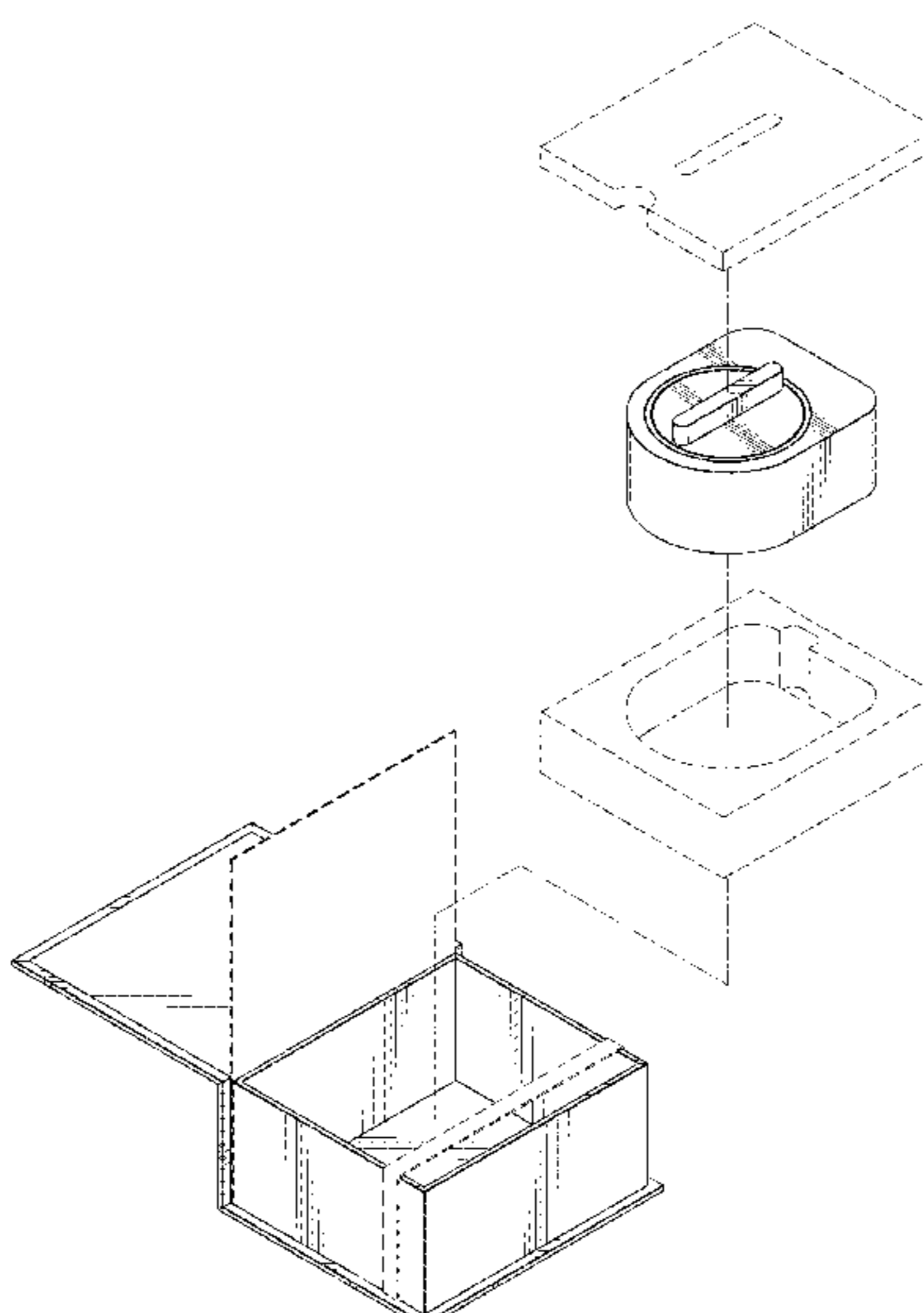
The ornamental design for a switch with book-shaped packaging, as shown and described.

DESCRIPTION

FIG. 1 is a perspective view of the switch with book-shaped packaging showing my new design;
 FIG. 2 is a front elevational view thereof;
 FIG. 3 is a rear elevational view thereof;
 FIG. 4 is a left side elevational view thereof;
 FIG. 5 is a right side elevational view thereof;
 FIG. 6 is a top plan view thereof;
 FIG. 7 is a bottom plan view thereof;
 FIG. 8 is an exploded perspective view thereof;
 FIG. 9 is an exploded perspective view thereof, shown in environmental use;
 FIG. 10 is a perspective view thereof, shown in closed position;
 FIG. 11 is a front elevational view of FIG. 10;
 FIG. 12 is a rear elevational view of FIG. 10;
 FIG. 13 is a left side elevational view of FIG. 10';
 FIG. 14 is a right side elevational view of FIG. 10;
 FIG. 15 is a top plan view of FIG. 10;
 FIG. 16 is a bottom plan view of FIG. 10; and,
 FIG. 17 is a perspective view thereof, shown without a switch for clarity.

The broken lines indicate unclaimed portions and environment and form no part of the claimed design.

1 Claim, 17 Drawing Sheets



(56)

References Cited

U.S. PATENT DOCUMENTS

D727,272 S * 4/2015 Johnson D13/174
9,466,442 B2 * 10/2016 Santos H01H 9/285

* cited by examiner

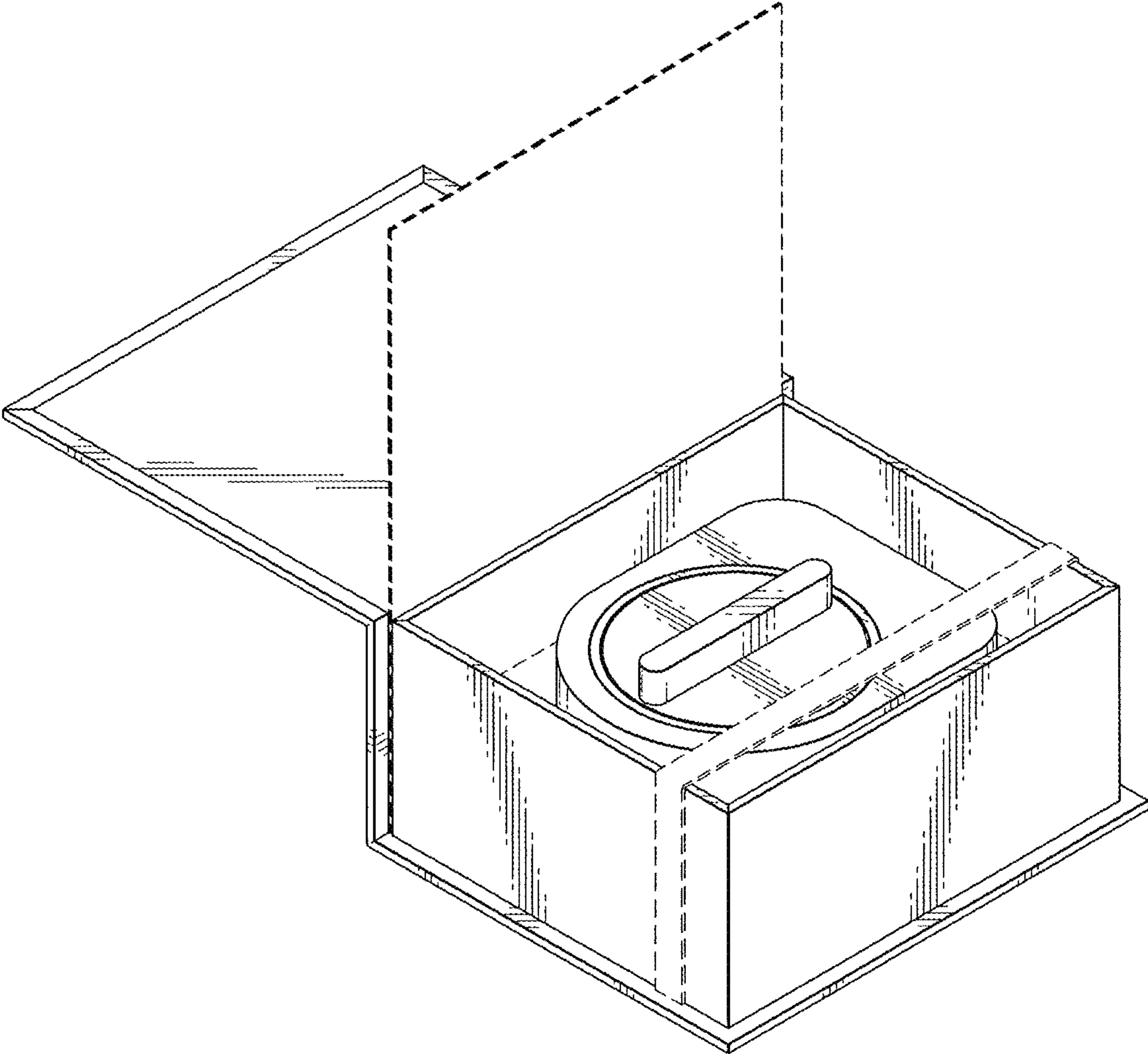


FIG. 1

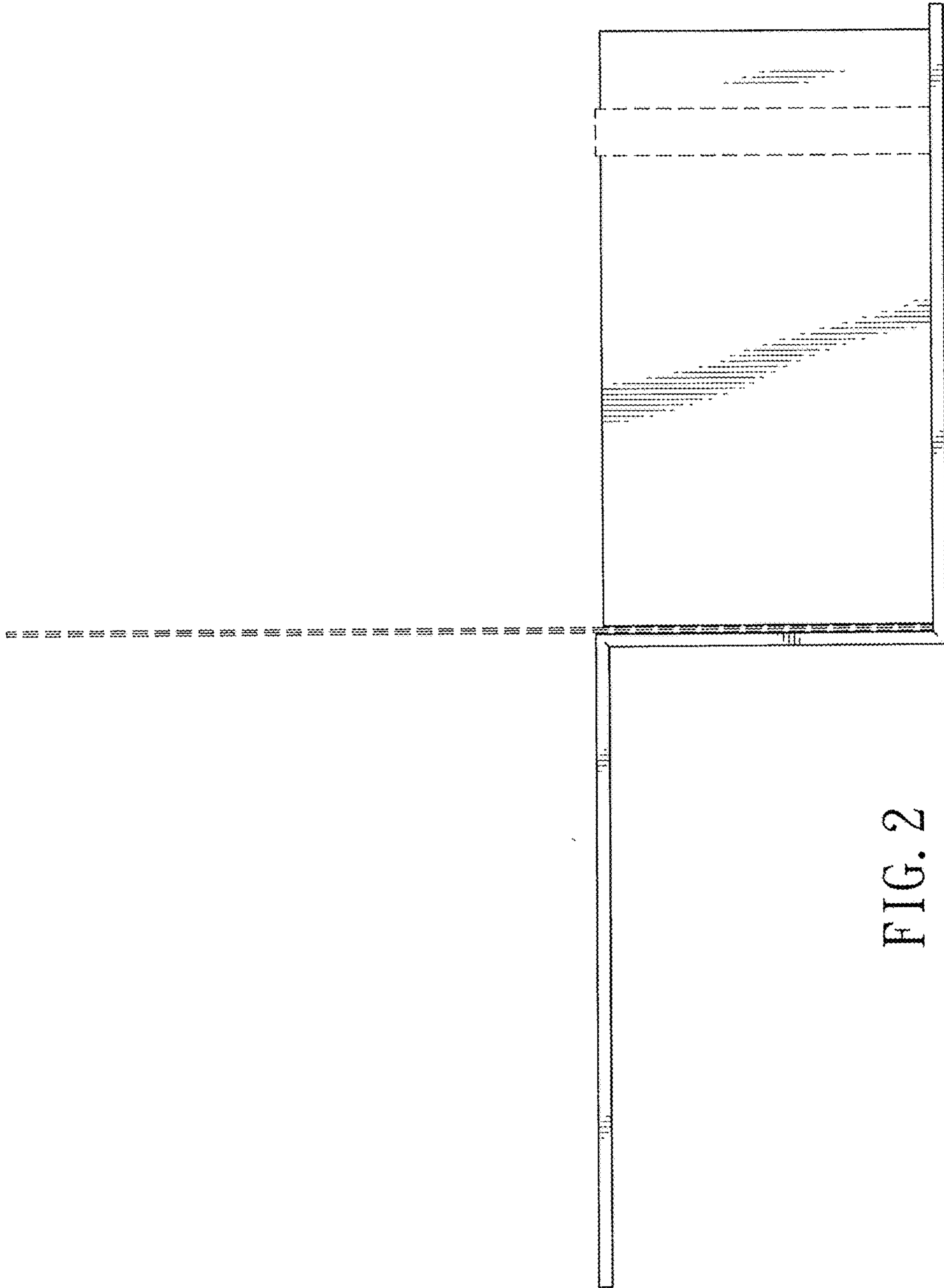


FIG. 2

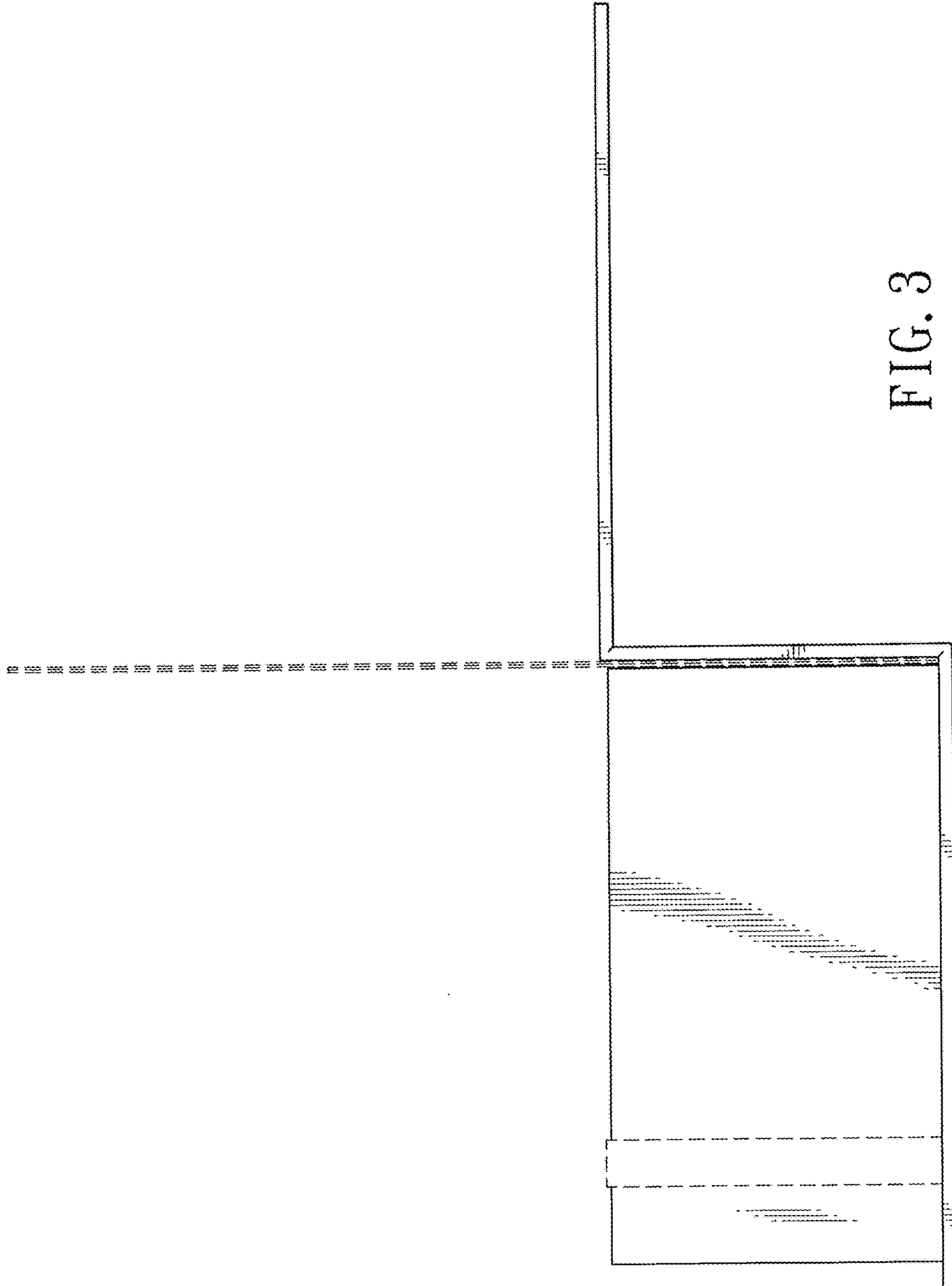


FIG. 3

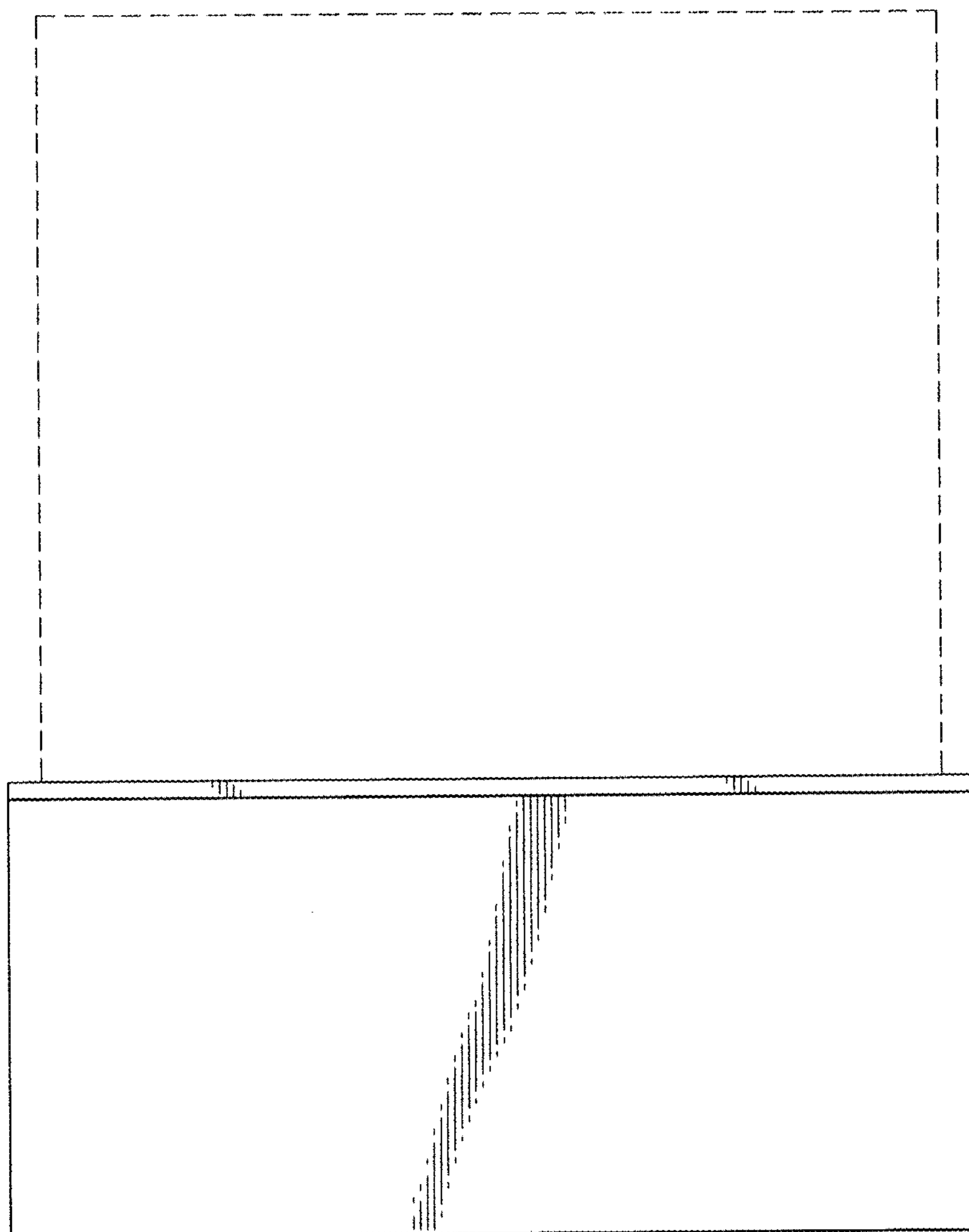


FIG. 4

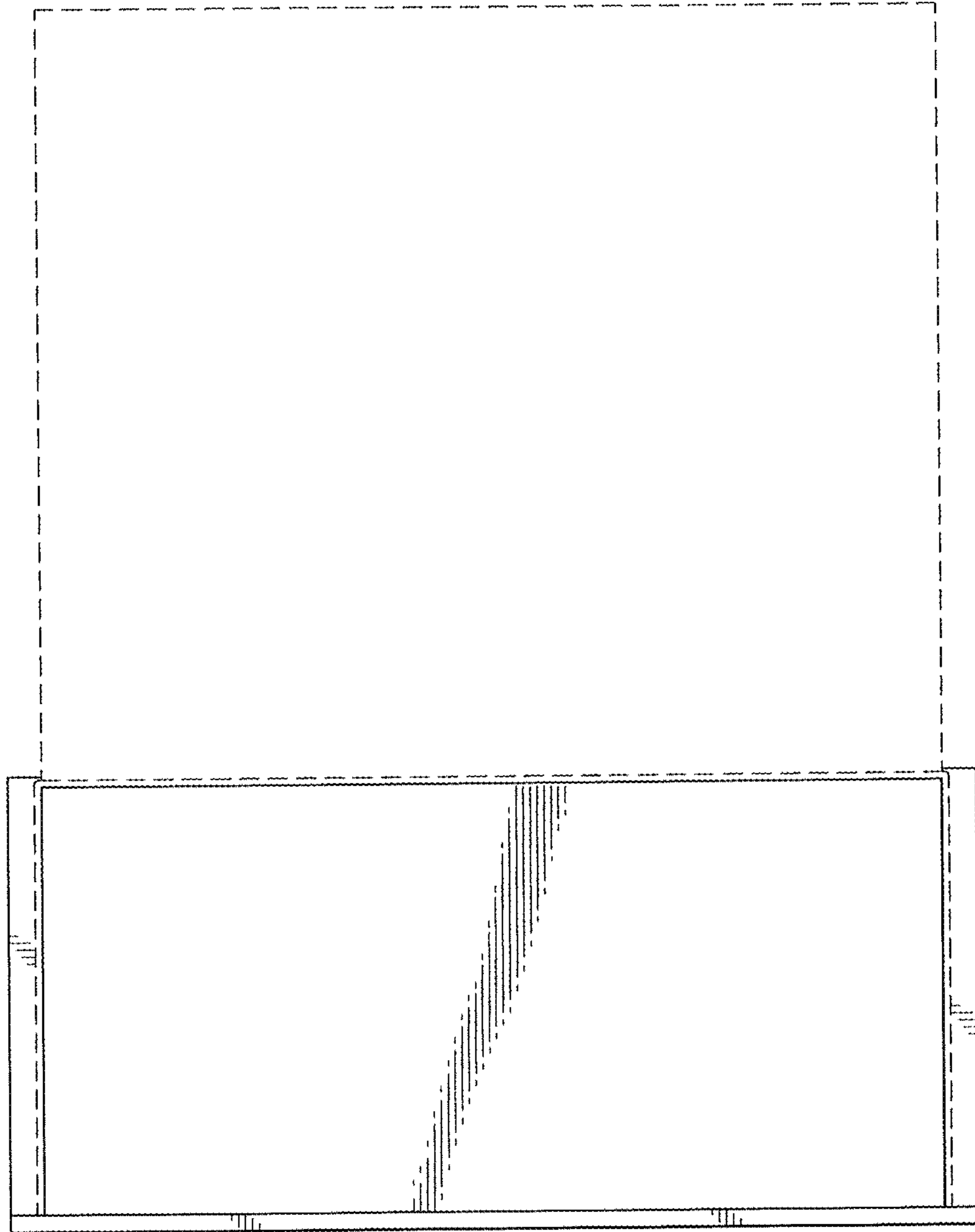


FIG. 5

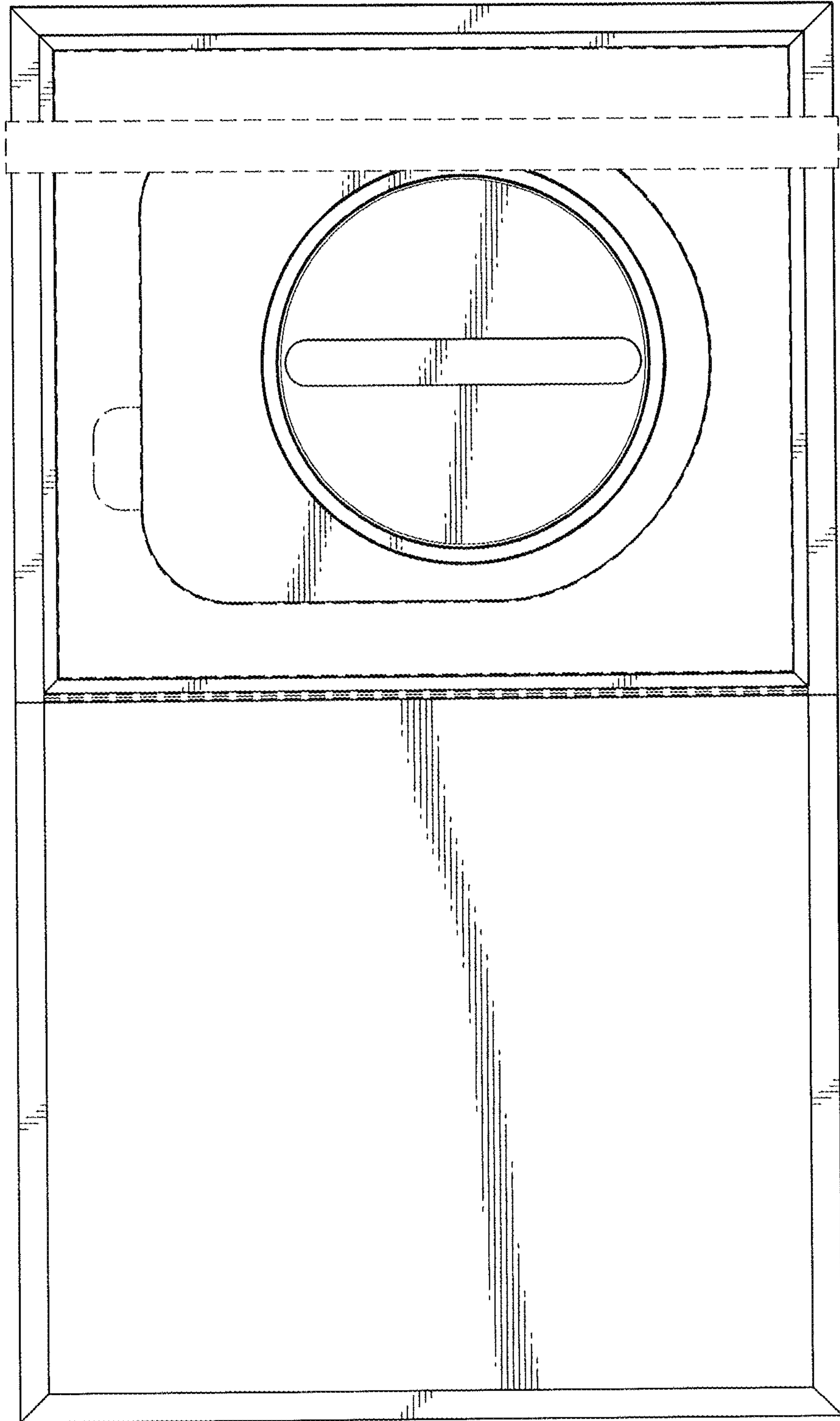


FIG. 6

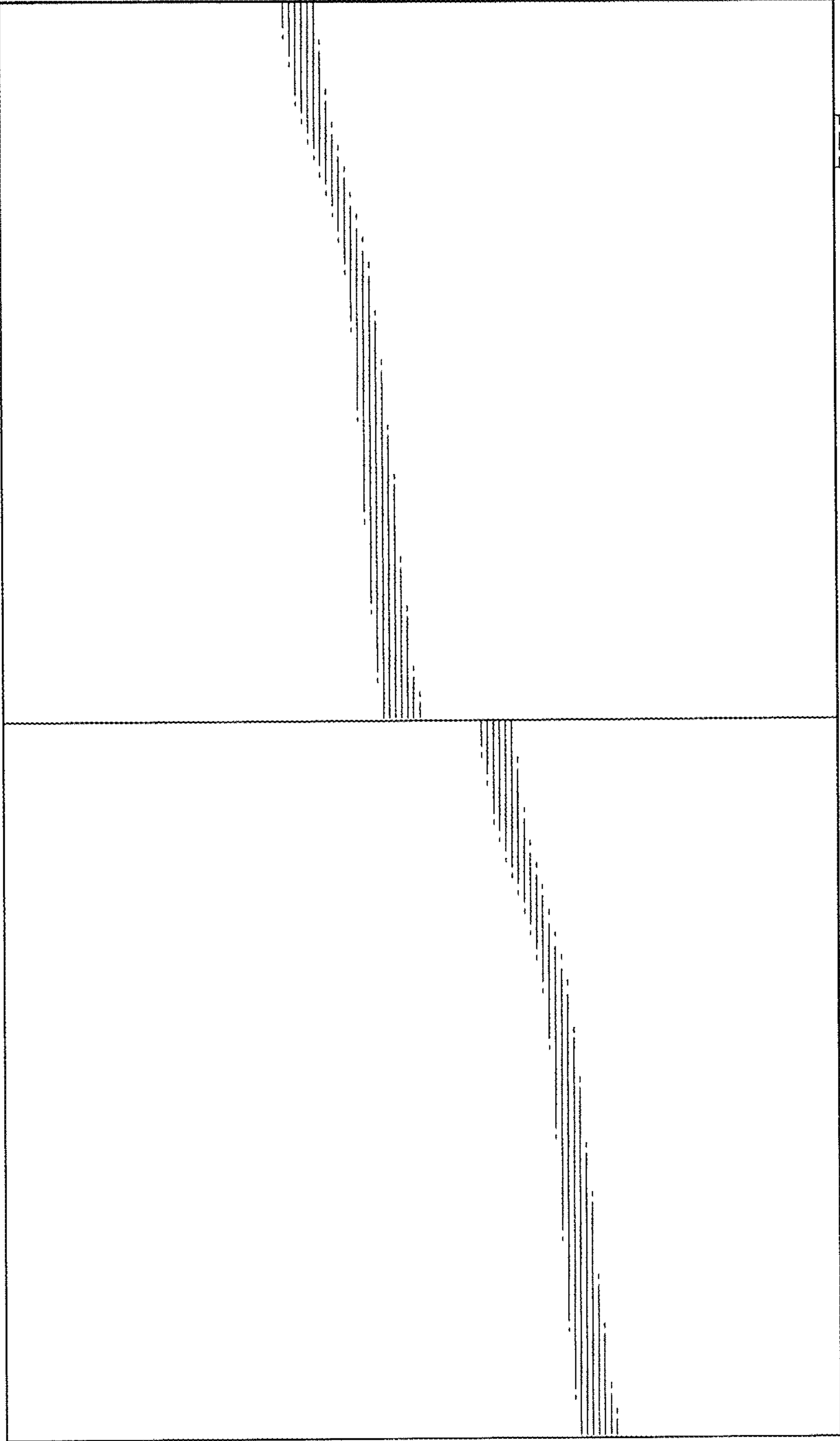


FIG. 7

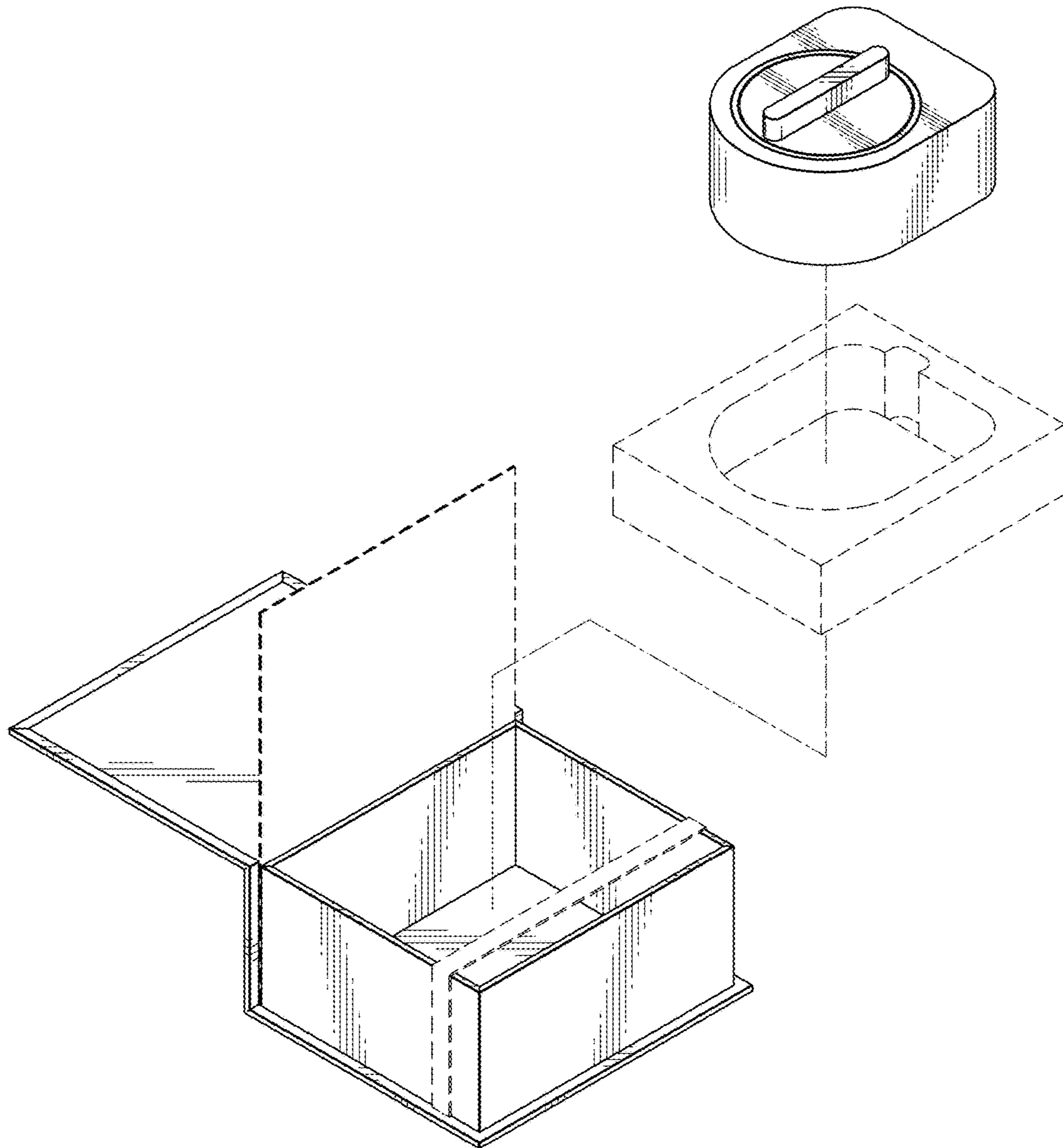


FIG. 8

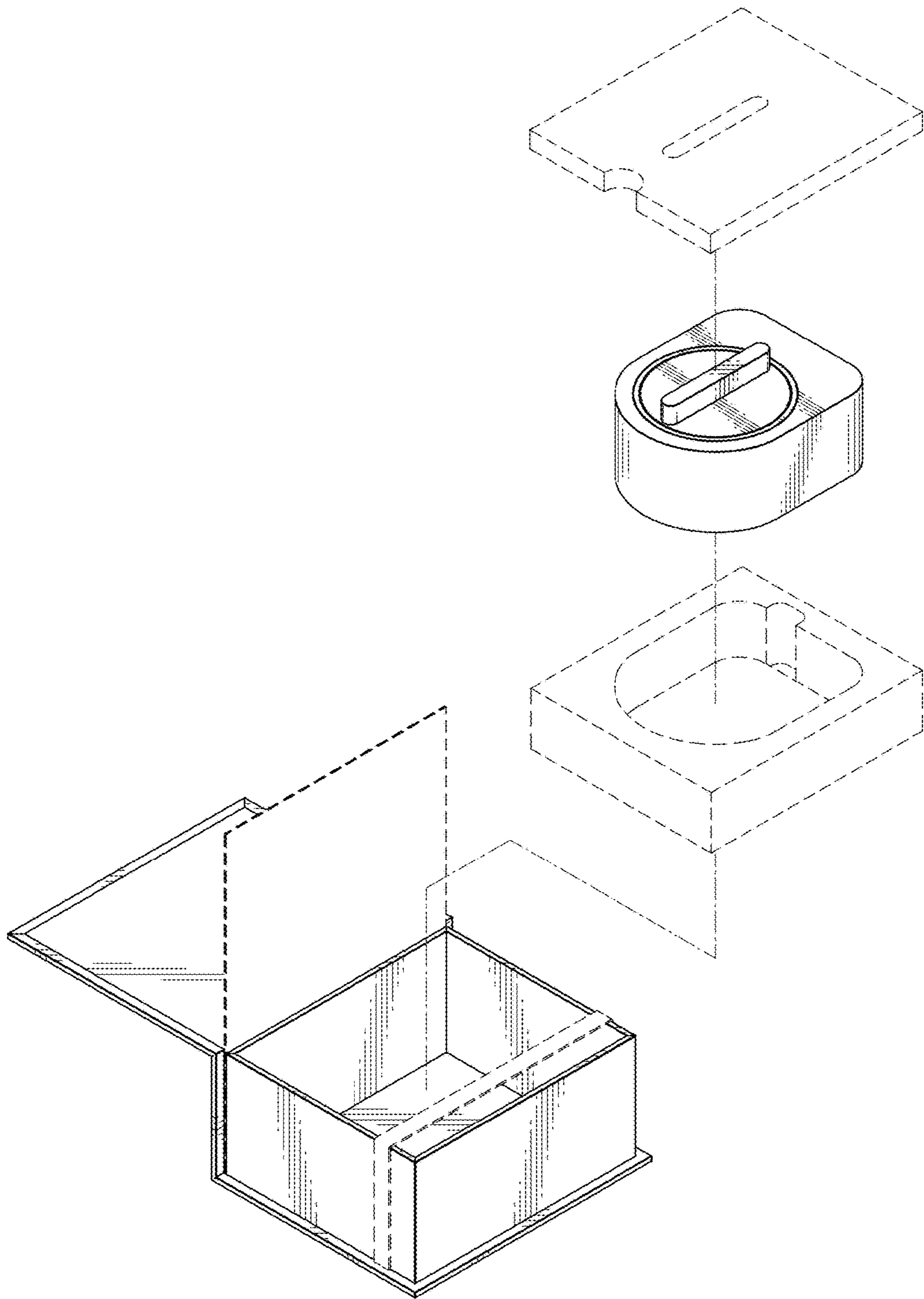


FIG. 9

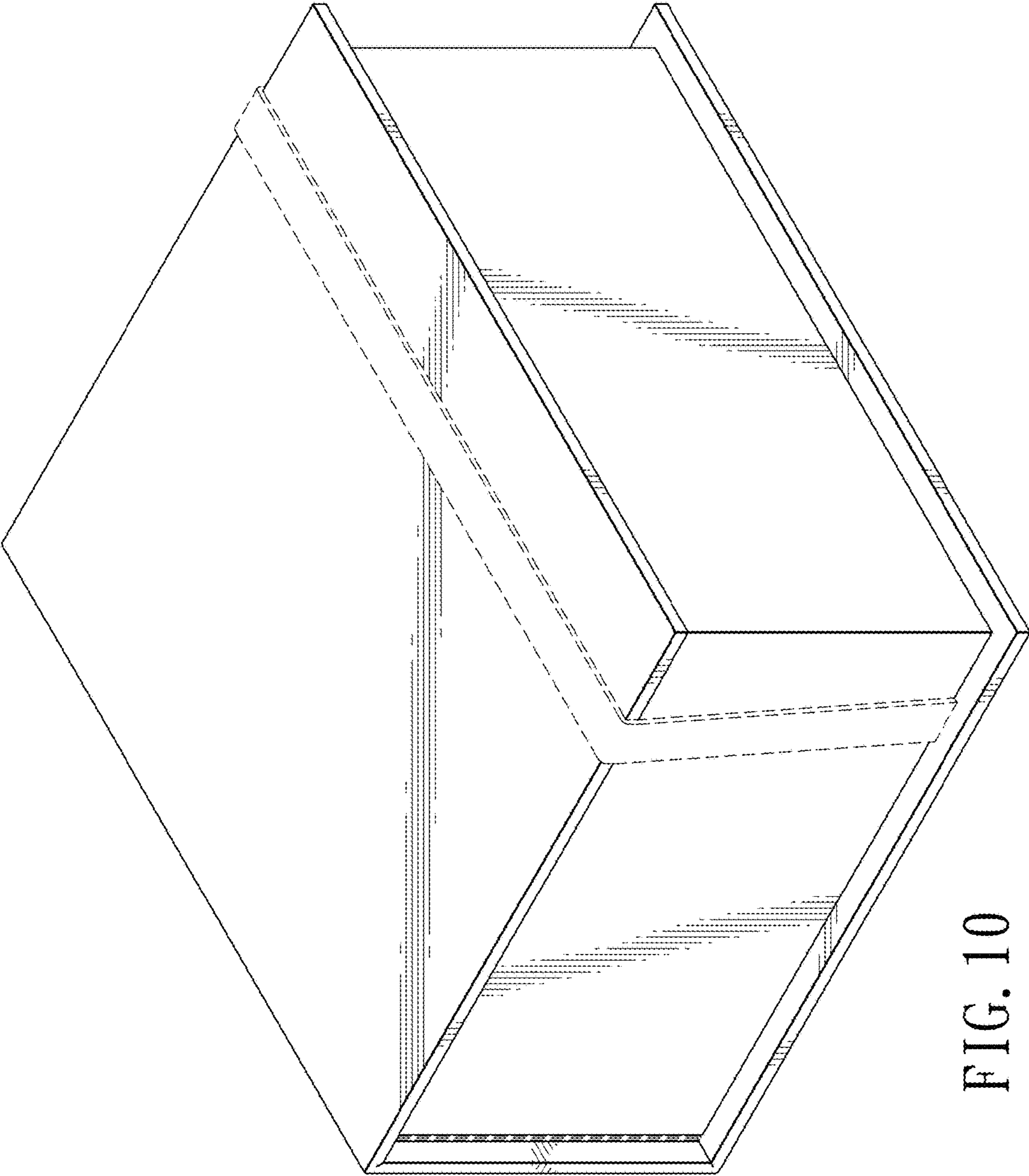


FIG. 10

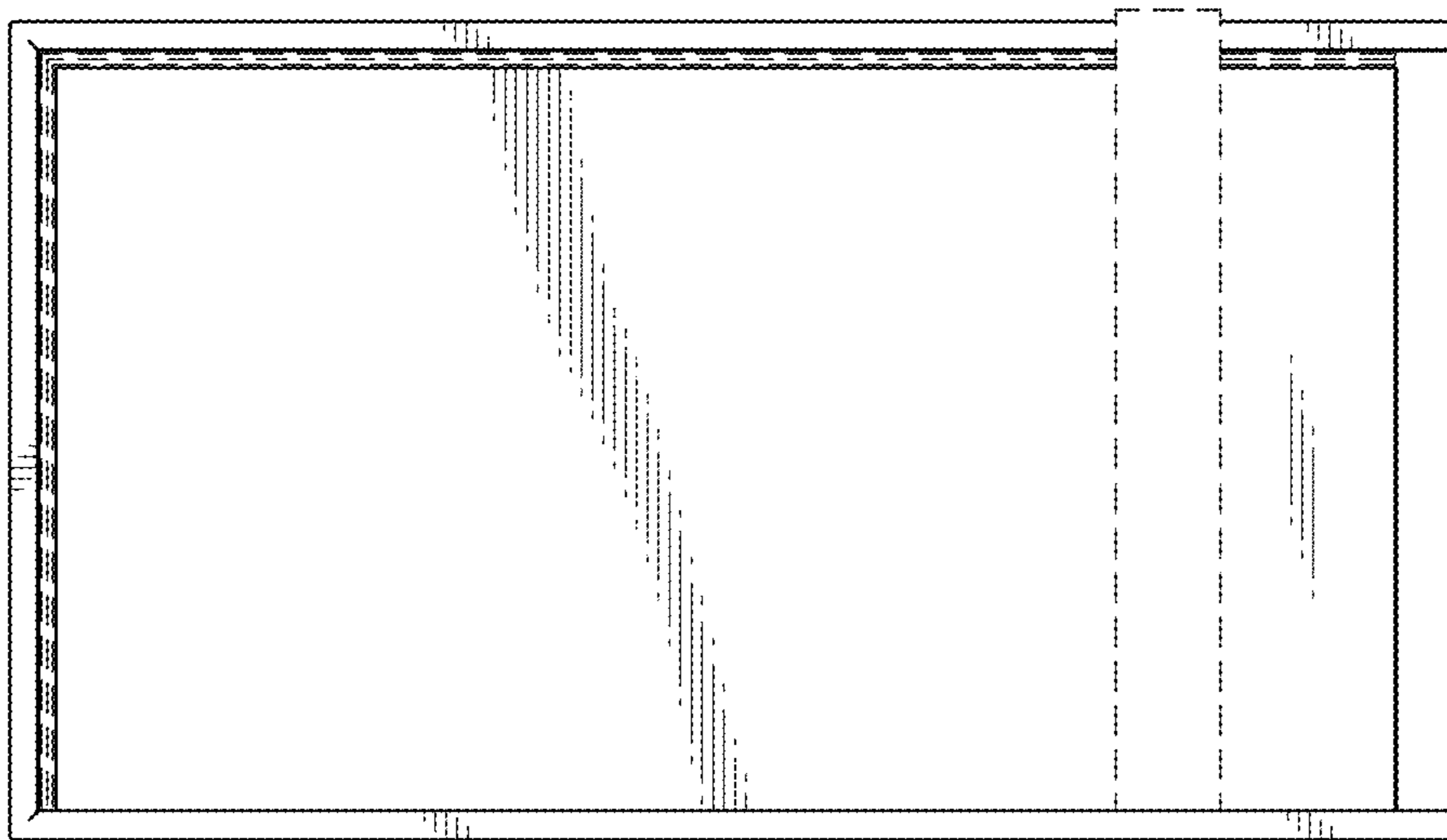


FIG. 11

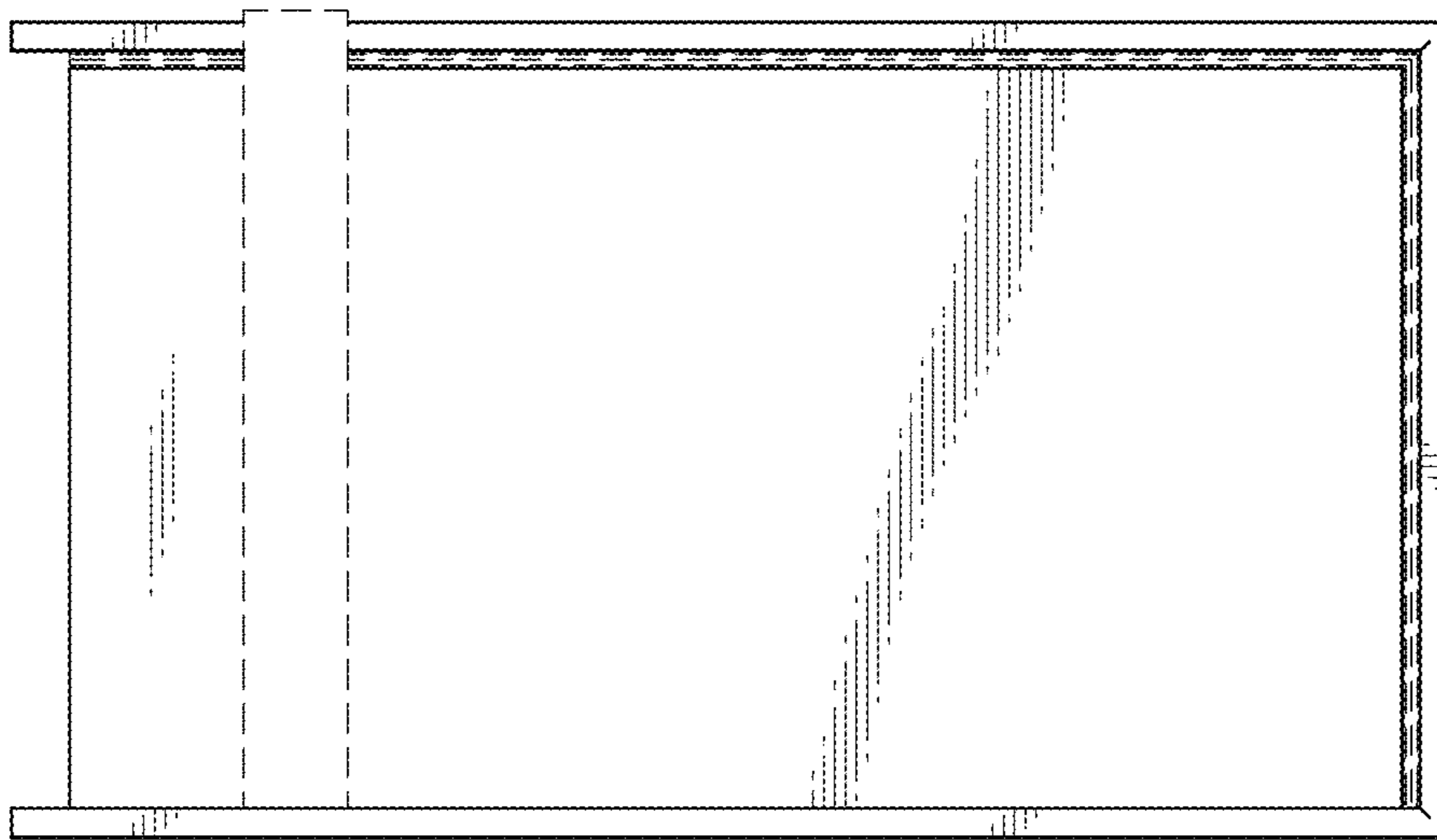


FIG. 12

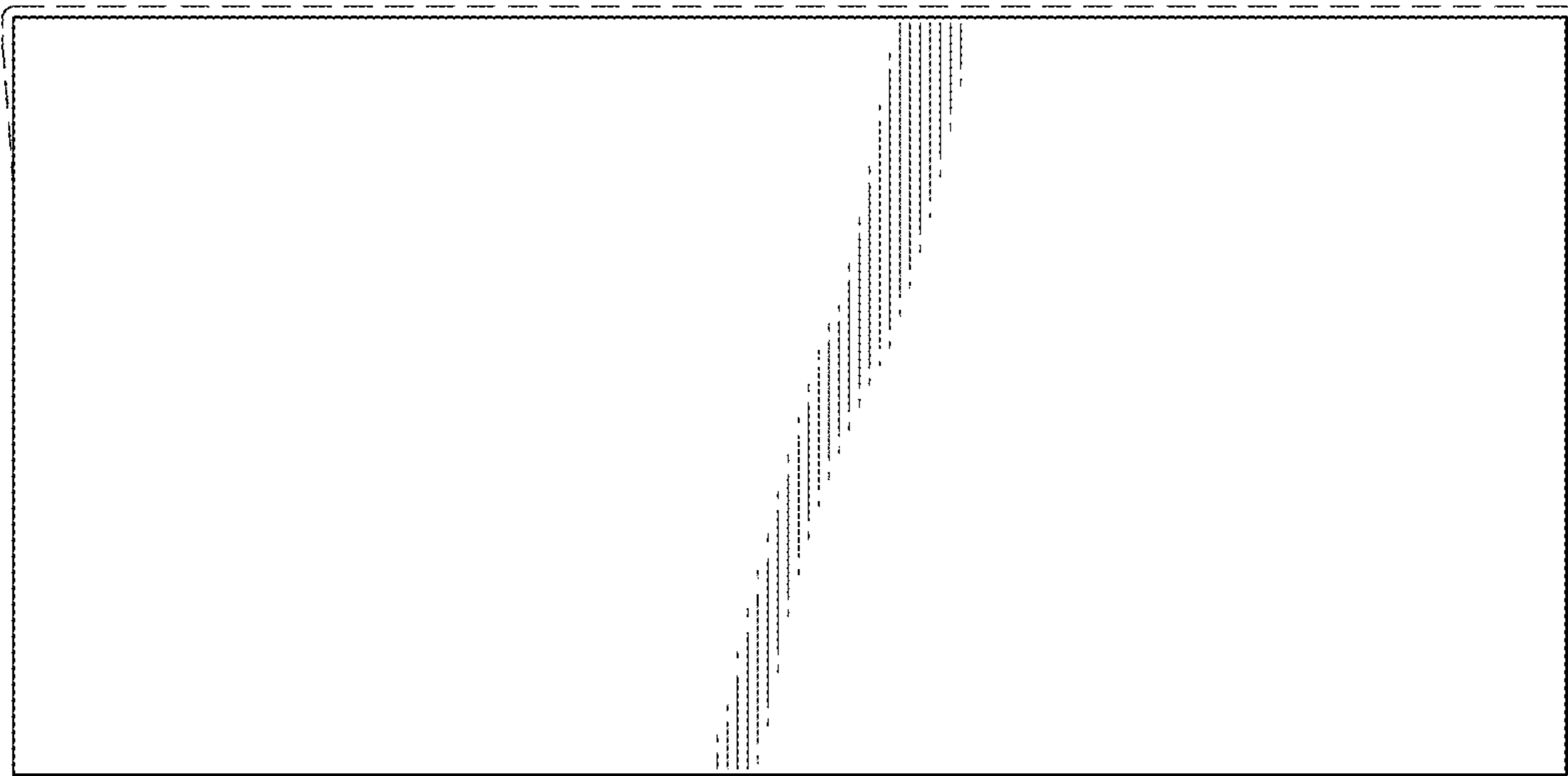


FIG. 13

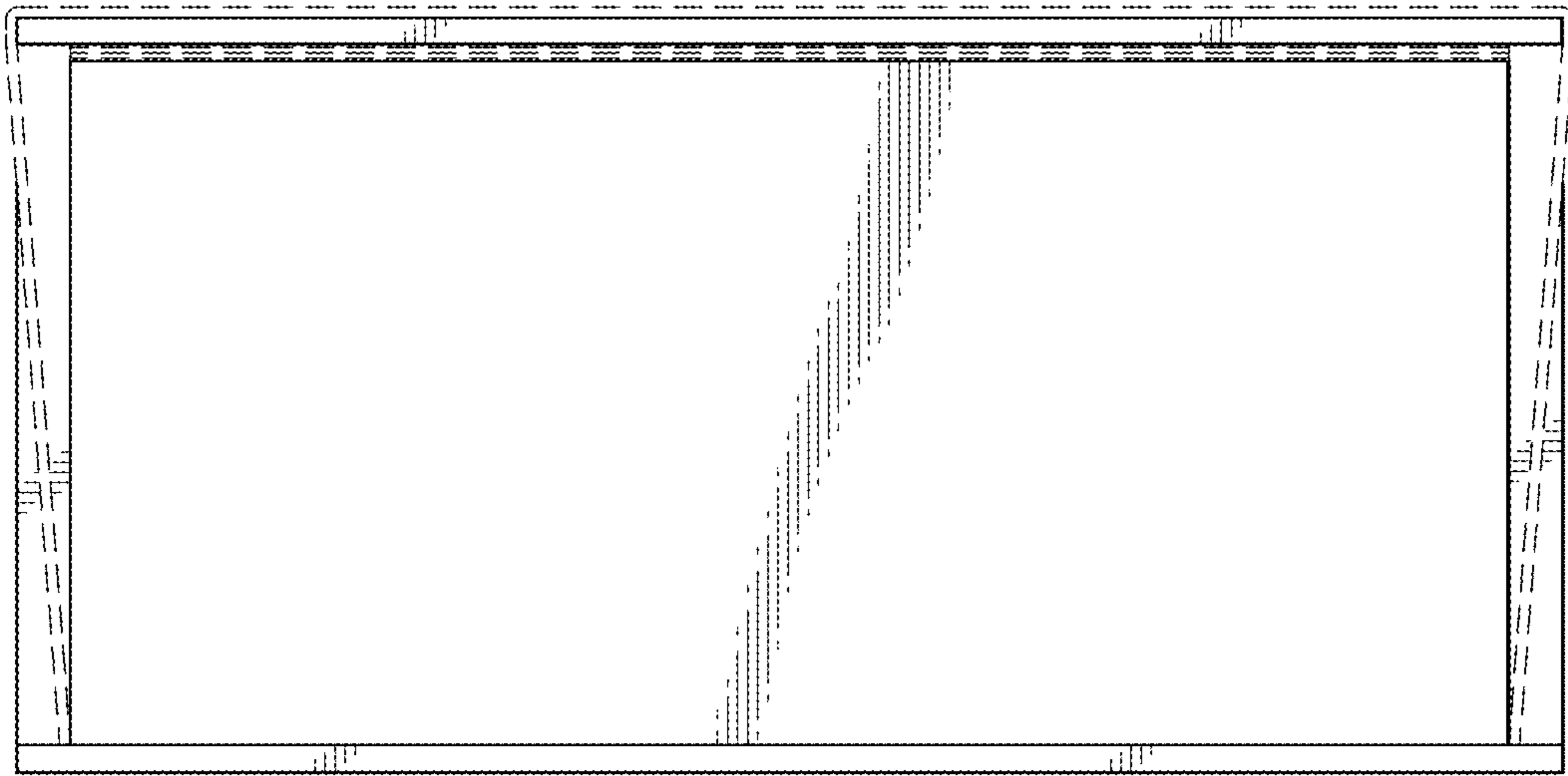


FIG. 14

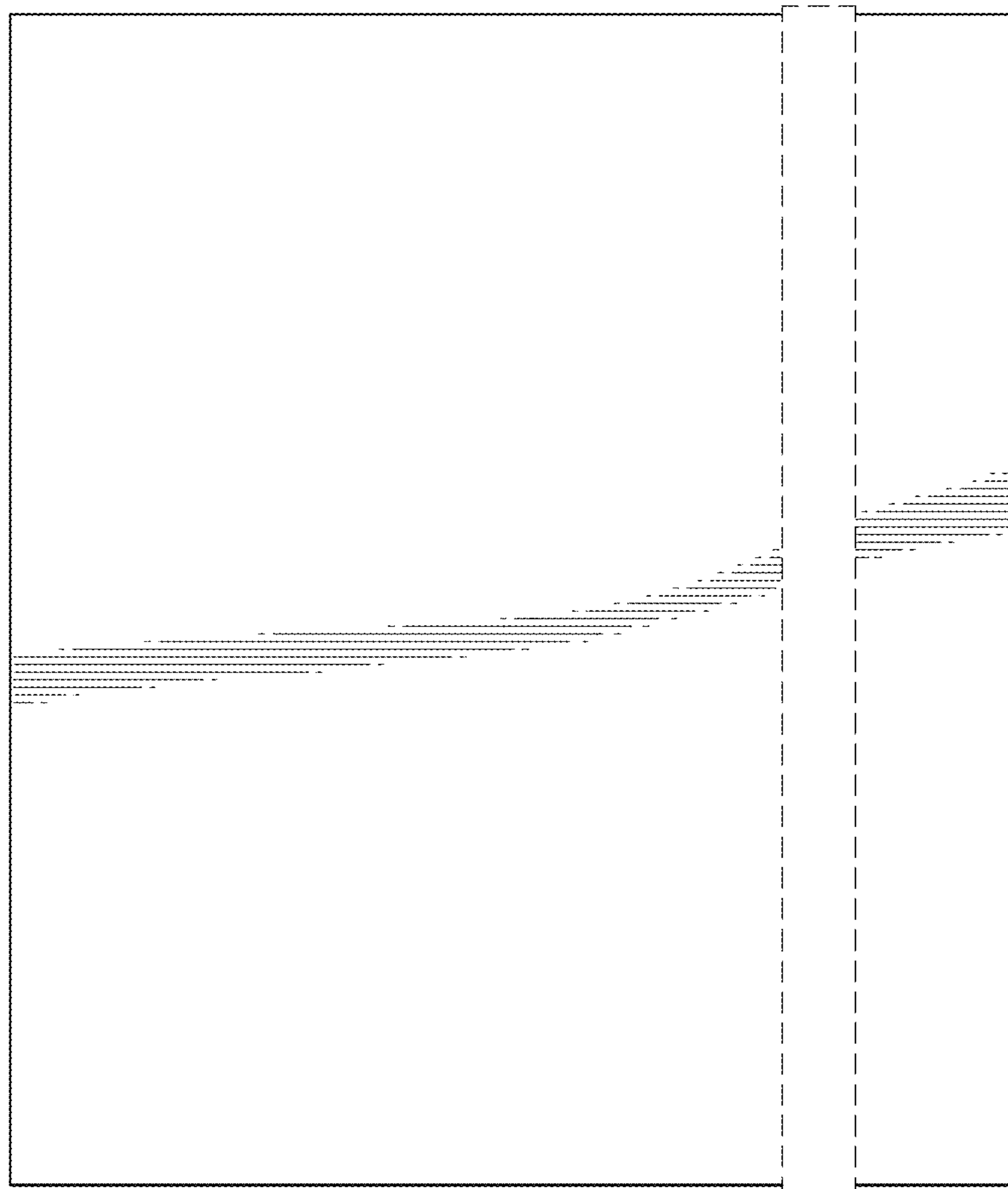


FIG. 15

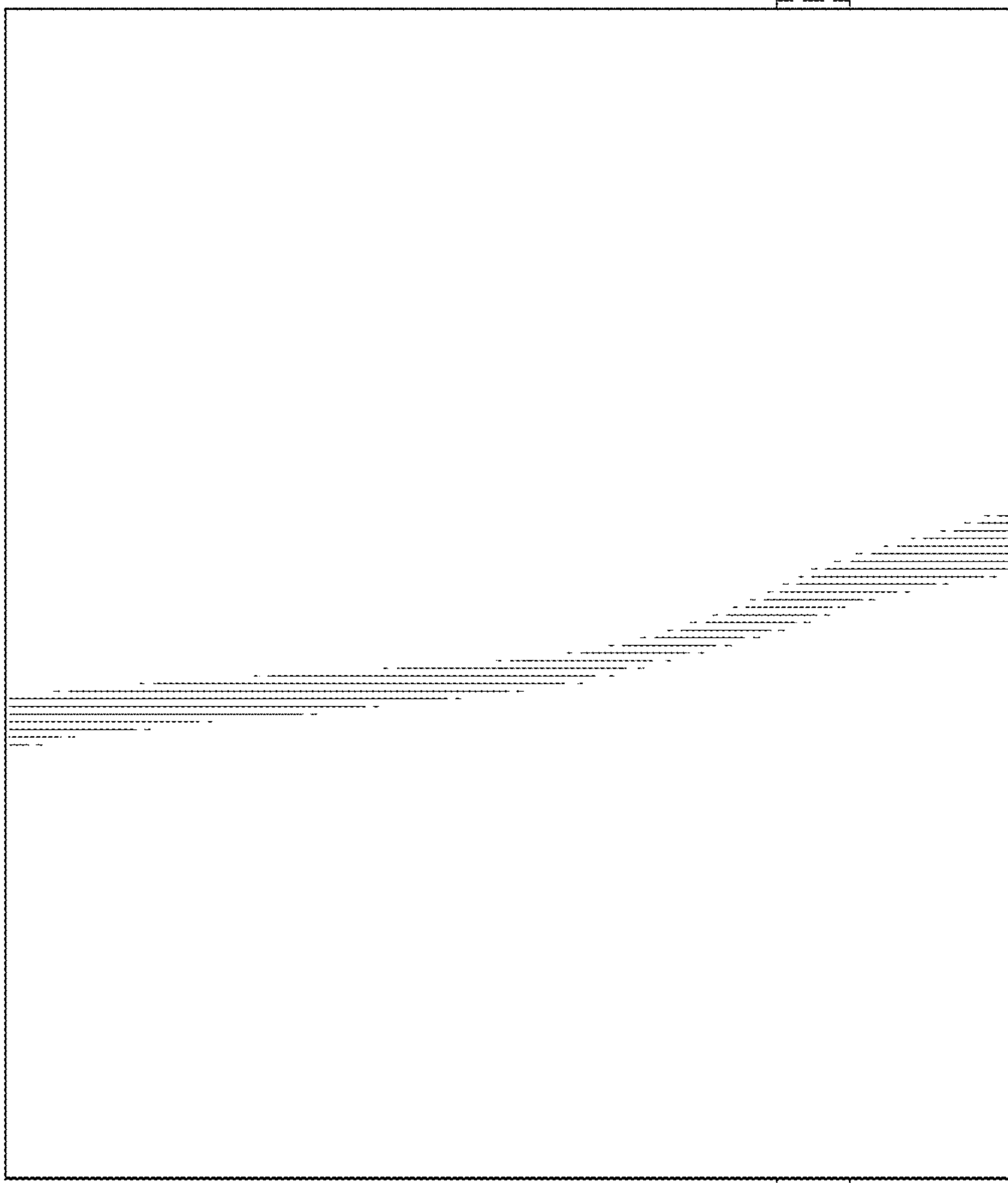


FIG. 16

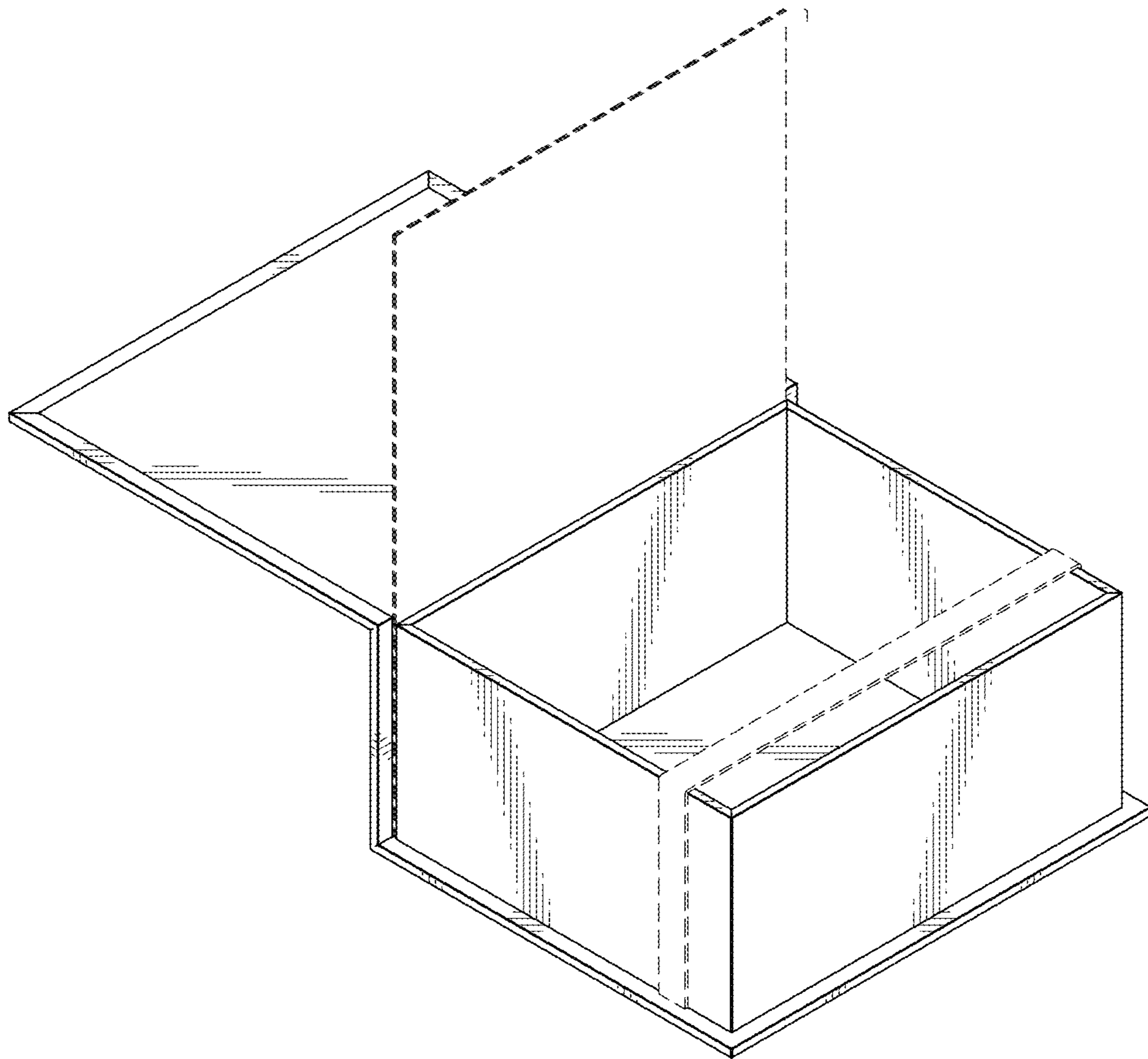


FIG. 17