



US00D792189S

(12) **United States Design Patent**
Incukur

(10) **Patent No.:** **US D792,189 S**

(45) **Date of Patent:** **** Jul. 18, 2017**

(54) **OVEN KNOB**

(71) Applicant: **Arcelik Anonim Sirketi**, Istanbul (TR)

(72) Inventor: **Ali Ihsan Incukur**, Istanbul (TR)

(73) Assignee: **Arcelik Anonim Sirketi**, Istanbul (TR)

(**) Term: **15 Years**

(21) Appl. No.: **29/556,887**

(22) Filed: **Mar. 3, 2016**

(30) **Foreign Application Priority Data**

Sep. 3, 2015 (EM) 002765149

(51) **LOC (10) Cl.** **08-06**

(52) **U.S. Cl.**
USPC **D8/311**

(58) **Field of Classification Search**
USPC D8/107, 300, 301, 307, 310, 311, 312;
D23/250, 421; 74/553, 554, 555, 556,
74/558, 543; D7/393, 394, 396, 402,
D7/406, 543, 545, 547, 548; 16/110.1,
16/422, 426, 430, 443
CPC ... Y10T 292/57; Y10T 292/82; Y10T 16/469;
Y10T 16/44; Y10T 16/476; Y10T
74/2084; Y10T 292/85; Y10T 74/2087;
Y10T 16/4713; Y10T 16/506; Y10T
74/20876; Y10T 74/20612; Y10T
70/5765; Y10T 16/459; Y10T 74/2066;
Y10T 16/487; Y10T 74/20822
See application file for complete search history.

(56) **References Cited**

U.S. PATENT DOCUMENTS

D400,778 S * 11/1998 Holbrook, Jr. D8/311
D498,657 S * 11/2004 Milrud D8/311
D525,518 S * 7/2006 Baldwin D8/310

D559,206 S * 1/2008 Neveu D13/174
D577,983 S * 10/2008 Martin D8/311
D587,556 S * 3/2009 Marks D8/300
D612,704 S * 3/2010 Funnell D8/310
D612,705 S * 3/2010 Baker D8/311
D628,457 S * 12/2010 Bengtson D8/311
D634,602 S * 3/2011 Bengtson D8/311
D637,886 S * 5/2011 Bengtson D8/311
D642,042 S * 7/2011 Kim D8/311
8,662,102 B2 * 3/2014 Shaffer F24C 3/124
126/52
D703,998 S * 5/2014 Funnell, II D7/393
D710,673 S * 8/2014 Boo G05G 1/10
D8/311
D715,126 S * 10/2014 Kim D7/393
D720,199 S * 12/2014 Clements D8/311
D722,815 S * 2/2015 Fuller D7/393
D726,524 S * 4/2015 Borjesson D8/311
D751,516 S * 3/2016 Oneufer D13/174

(Continued)

Primary Examiner — Ian Simmons

Assistant Examiner — Lauren Calve

(74) *Attorney, Agent, or Firm* — Fox Rothschild LLP

(57) **CLAIM**

The ornamental design for an oven knob, as shown and described.

DESCRIPTION

FIG. 1 is a perspective view of an oven knob of the present invention.

FIG. 2 is a front elevation view of the oven knob of FIG. 1.

FIG. 3 is a top plan view of the oven knob of FIG. 1.

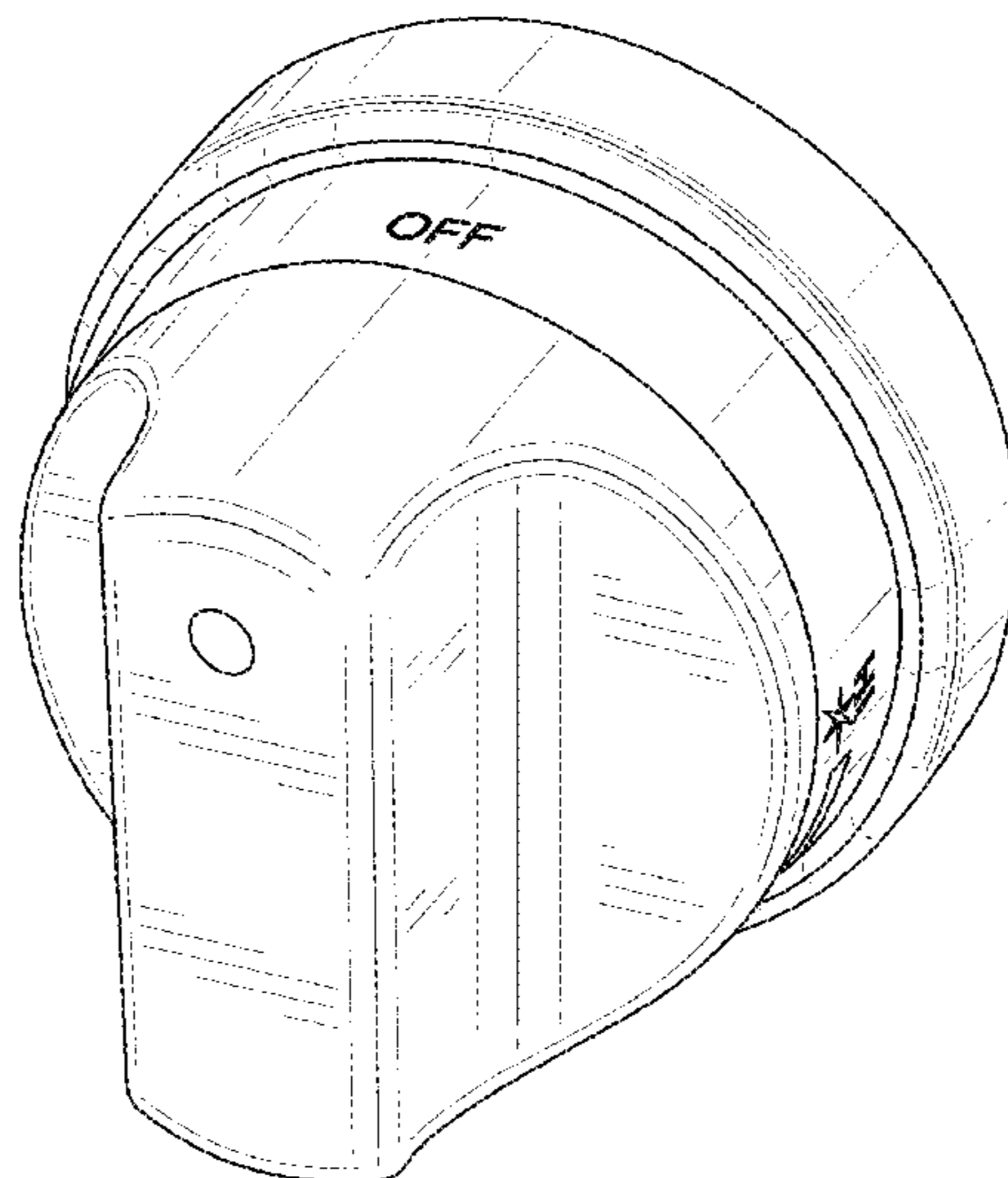
FIG. 4 is a right side elevation view of the oven knob of FIG. 1.

FIG. 5 is a left side elevation view of the oven knob of FIG. 1; and,

FIG. 6 is a bottom plan view of the oven knob of FIG. 1.

The rear view not shown forms no part of the claimed design.

1 Claim, 6 Drawing Sheets



(56)

References Cited

U.S. PATENT DOCUMENTS

D766,699 S * 9/2016 Vergin D8/311
D773,917 S * 12/2016 Shoemaker D8/311
D779,303 S * 2/2017 Shoemaker D8/311
2009/0139367 A1* 6/2009 Rosa G05D 23/1902
74/553
2015/0370283 A1* 12/2015 Lawson G05G 1/082
74/553

* cited by examiner

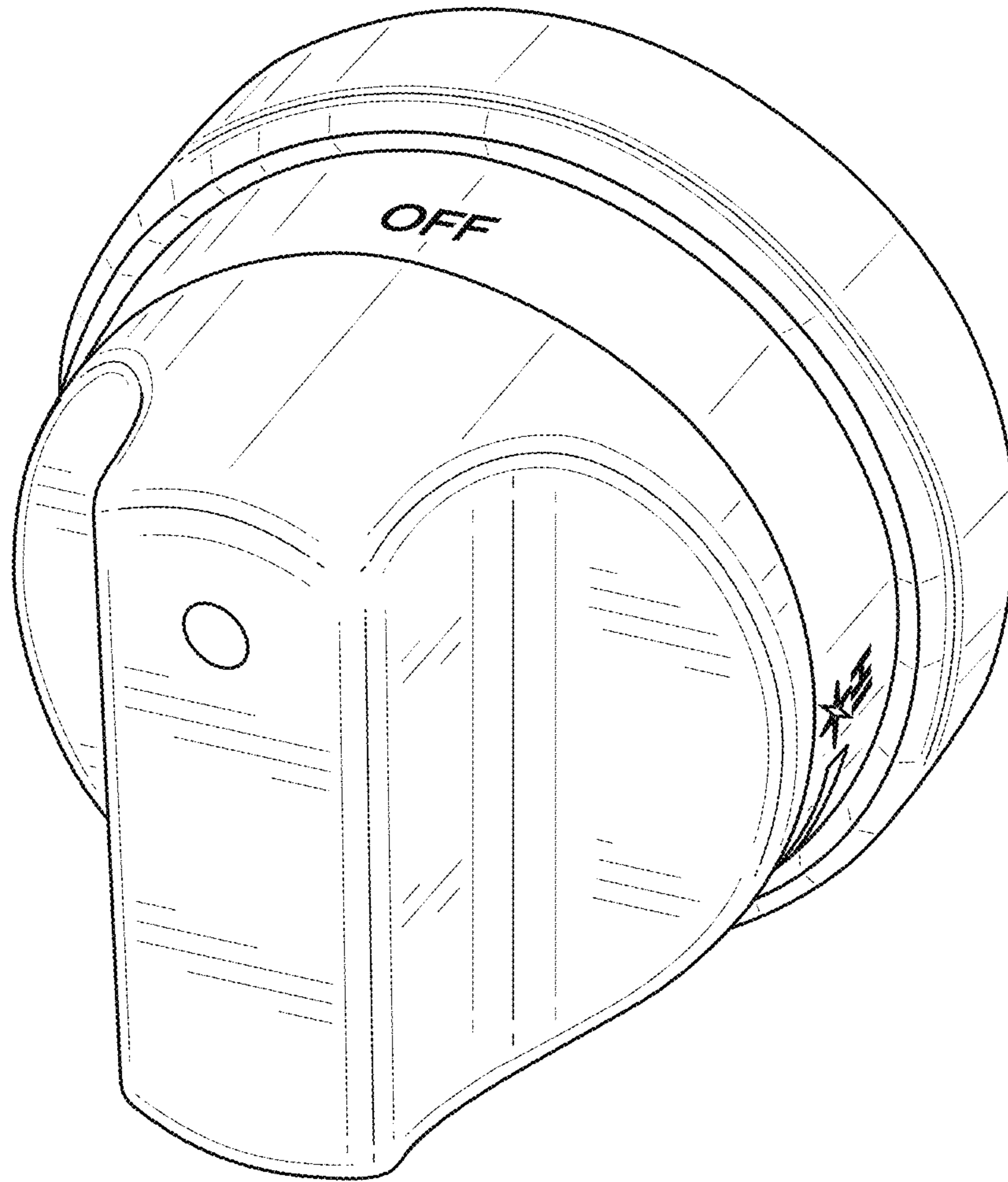


FIG. 1

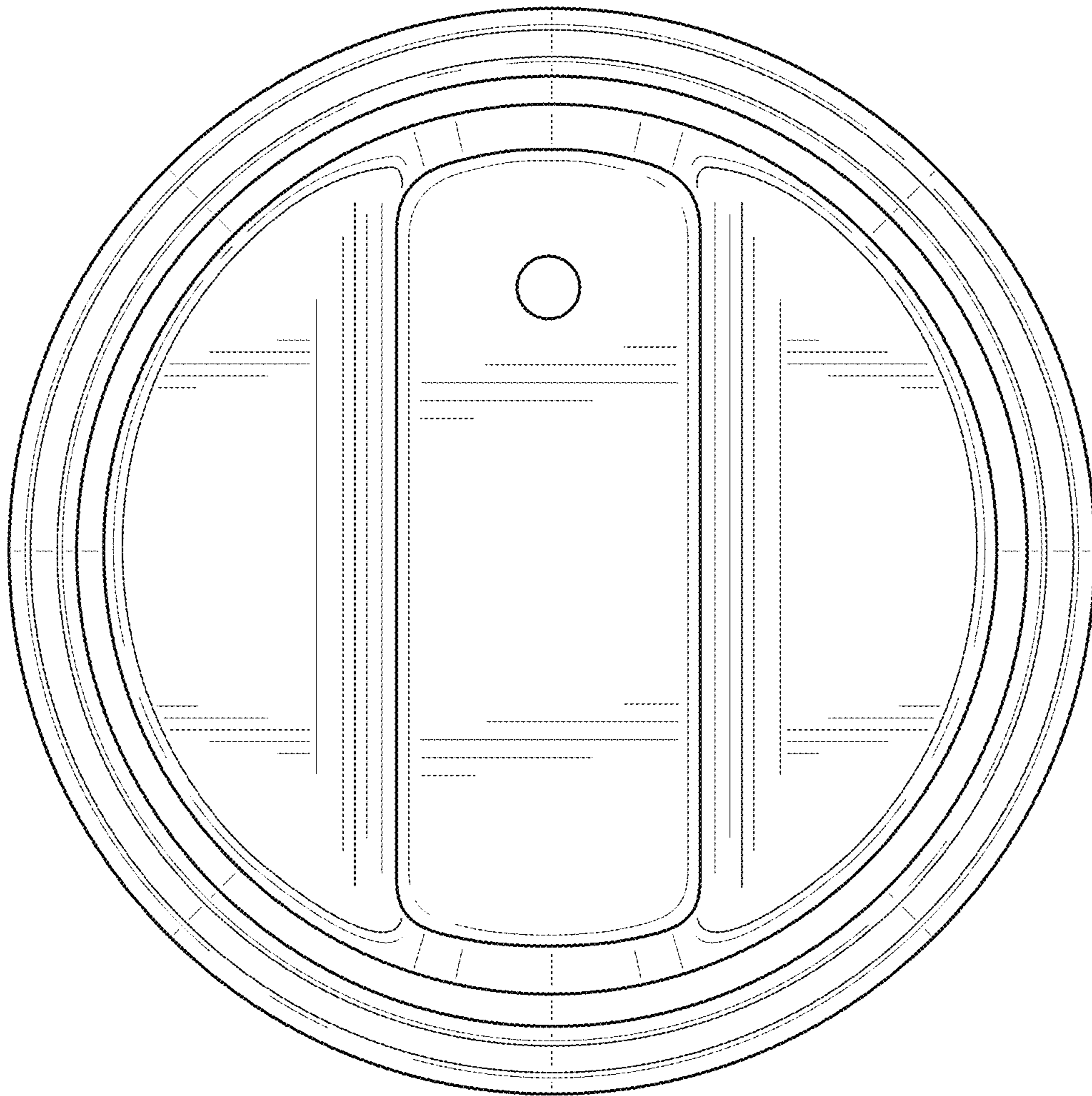


FIG. 2

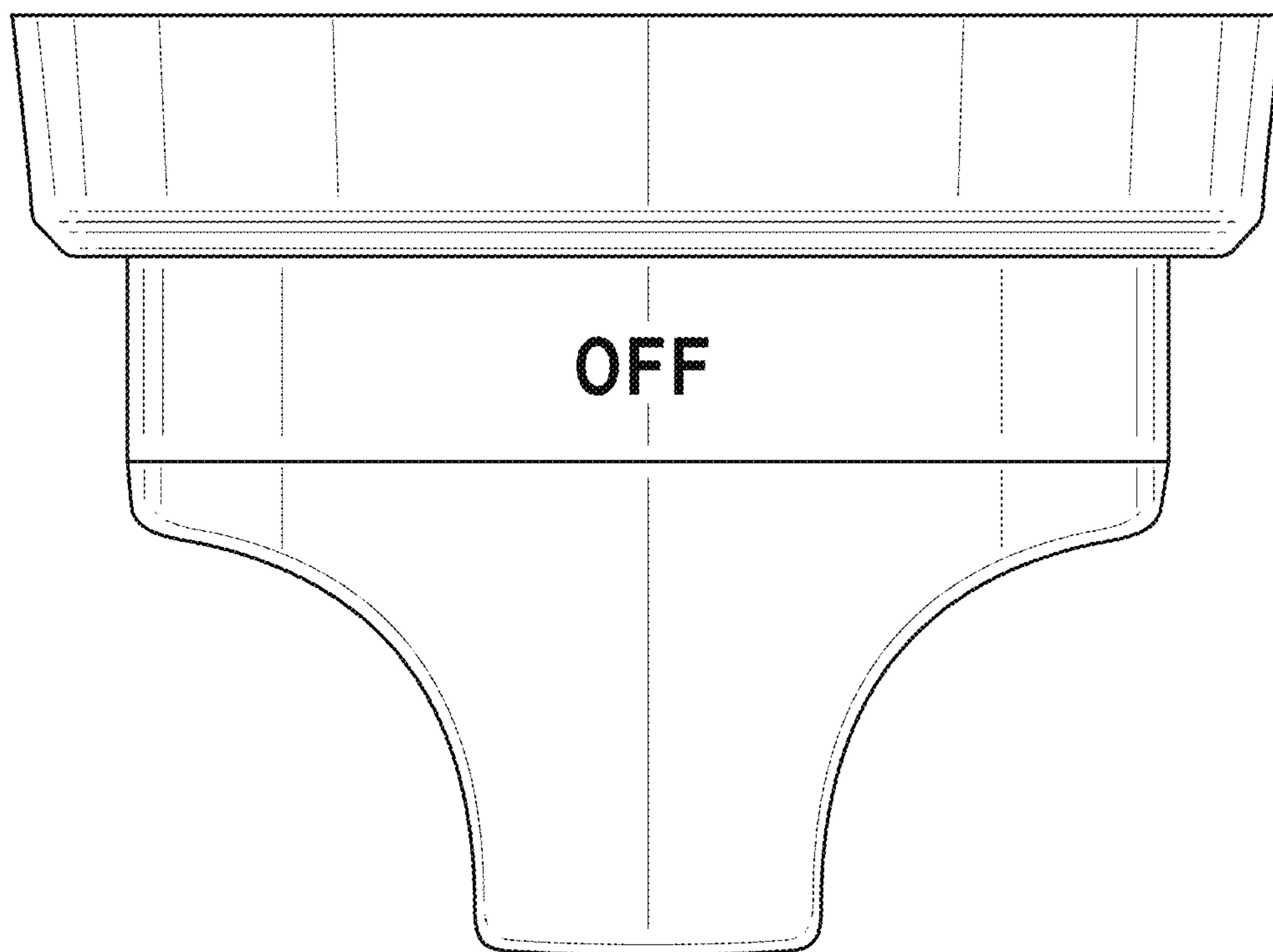


FIG. 3

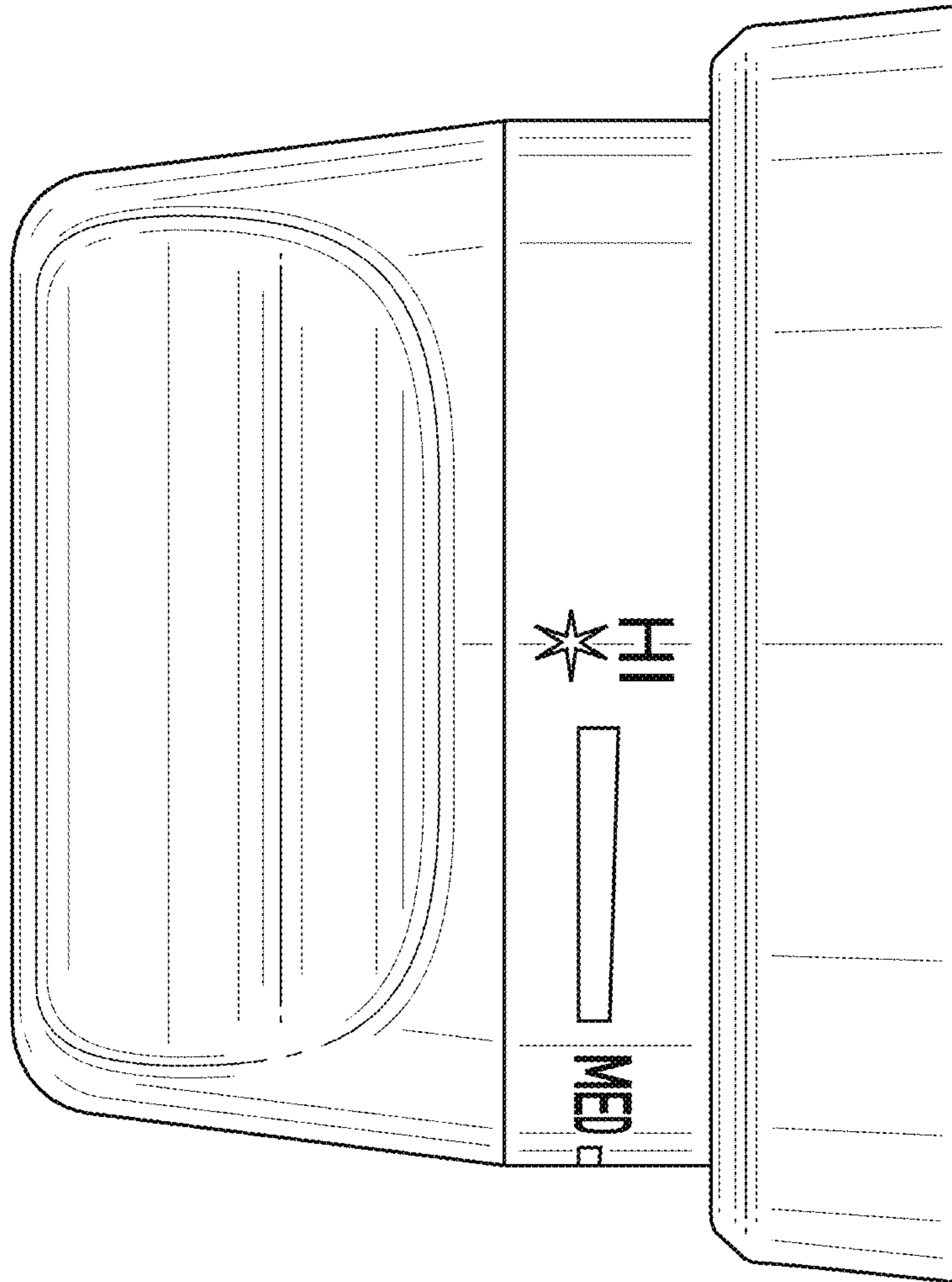


FIG. 4

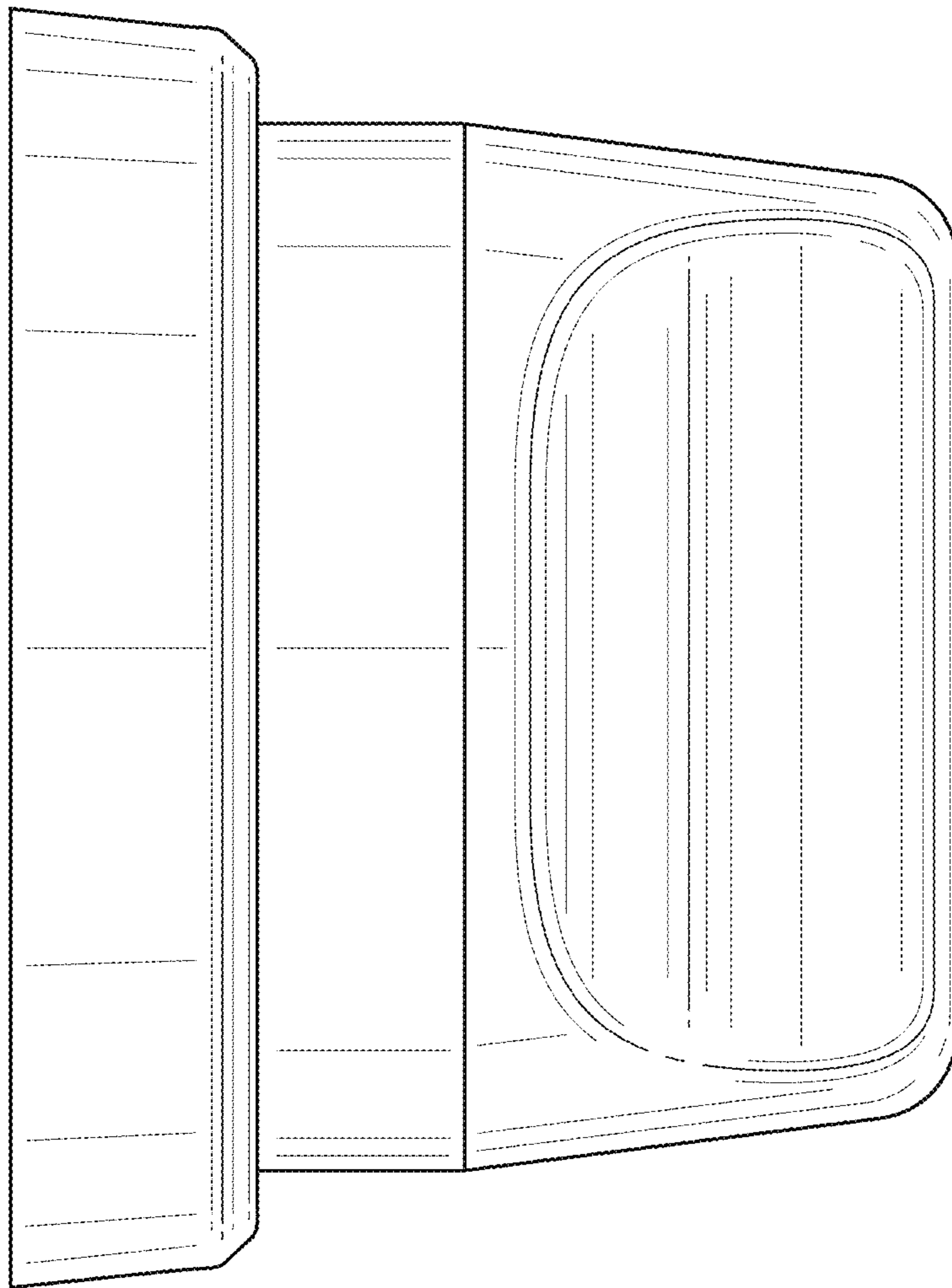


FIG. 5

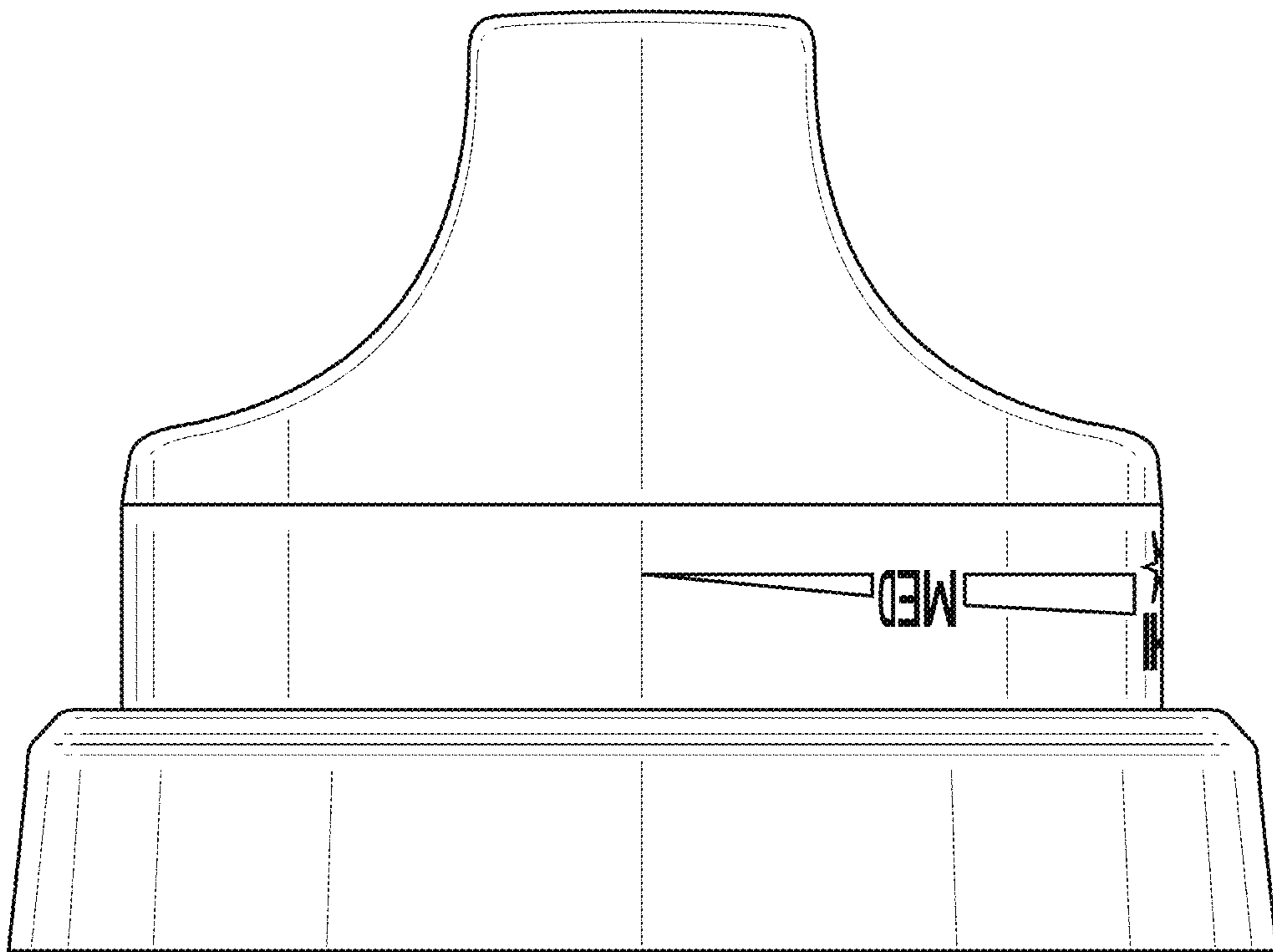


FIG. 6