



US00D792188S

(12) **United States Design Patent** (10) **Patent No.:** **US D792,188 S**
Zimmer (45) **Date of Patent:** **** Jul. 18, 2017**

(54) **CABINET KNOB**

(71) Applicant: **Hardware Resources, Inc.**, Bossier City, LA (US)

(72) Inventor: **Christine Zimmer**, Hillsborough, NJ (US)

(73) Assignee: **HARDWARE RESOURCES, INC.**, Bossier City, LA (US)

(**) Term: **15 Years**

(21) Appl. No.: **29/568,916**

(22) Filed: **Jun. 22, 2016**

(51) **LOC (10) Cl.** **08-06**

(52) **U.S. Cl.**
USPC **D8/310**

(58) **Field of Classification Search**
USPC D8/300, 307, 310; D7/393; D23/250, D23/254
CPC ... Y10T 292/57; Y10T 16/469; Y10T 292/82; Y10T 74/2084; Y10T 292/85; Y10T 16/458; Y10T 16/506; Y10T 70/5155; Y10T 16/46; Y10T 16/4559; Y10T 74/20828; Y10T 70/8541; Y10T 74/20612; Y10T 16/459; Y10T 16/487; Y10T 70/5389; Y10T 16/462; Y10T 16/4636; E05B 1/0007; E05B 3/00; Y10S 16/30; Y10S 292/53; Y10S 292/27
See application file for complete search history.

D592,483 S * 5/2009 Ricereto D8/307
D592,484 S * 5/2009 Ricereto D8/307
D723,352 S * 3/2015 Ramsland D8/310
D772,686 S * 11/2016 Zimmer D8/310
D772,688 S * 11/2016 Zimmer D8/310
2004/0078933 A1* 4/2004 Forrest A47B 95/02
16/417
2006/0174446 A1* 8/2006 Lautenschlager A47B 95/02
16/417
2009/0193625 A1* 8/2009 Yu A47B 95/02
16/417
2009/0250948 A1* 10/2009 Forrest E05B 1/0015
292/251.5
2010/0139046 A1* 6/2010 Daniels A47B 95/02
16/414

* cited by examiner

Primary Examiner — Derrick Holland
Assistant Examiner — Laura Calve
(74) *Attorney, Agent, or Firm* — Schultz & Associates, P.C.

(56) **References Cited**

U.S. PATENT DOCUMENTS

2,216,467 A * 10/1940 Falk E05B 1/0007
220/327
D565,385 S * 4/2008 Jou D8/307

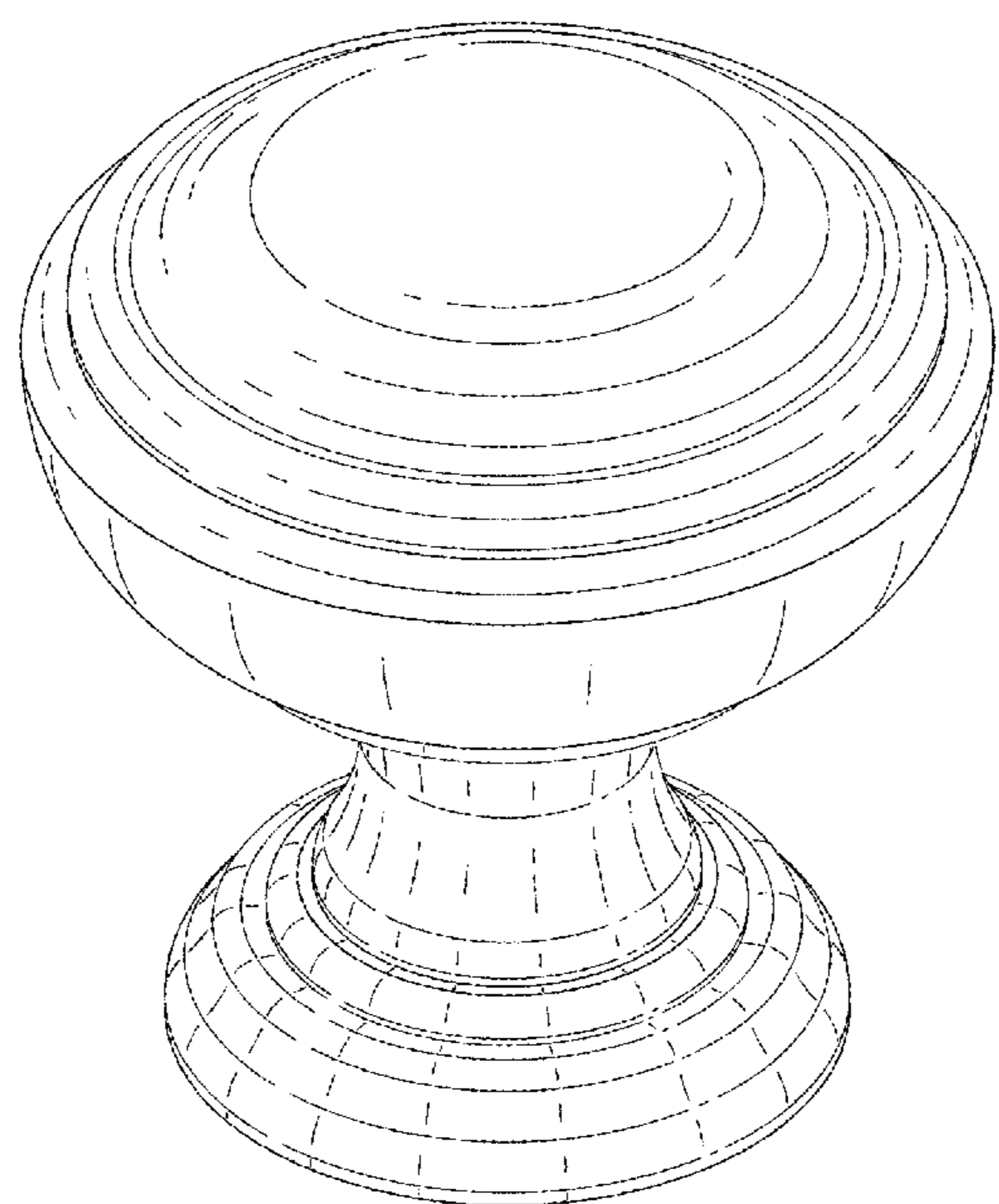
(57) **CLAIM**

The ornamental design for a cabinet knob, as shown and described.

DESCRIPTION

FIG. 1 is a perspective view of a cabinet knob showing my new design;
FIG. 2 is a side elevation view thereof;
FIG. 3 is top plan view thereof; and,
FIG. 4 is a bottom plan view thereof.
The broken lines shown represent unclaimed subject matter and form no part of the claimed design.

1 Claim, 2 Drawing Sheets



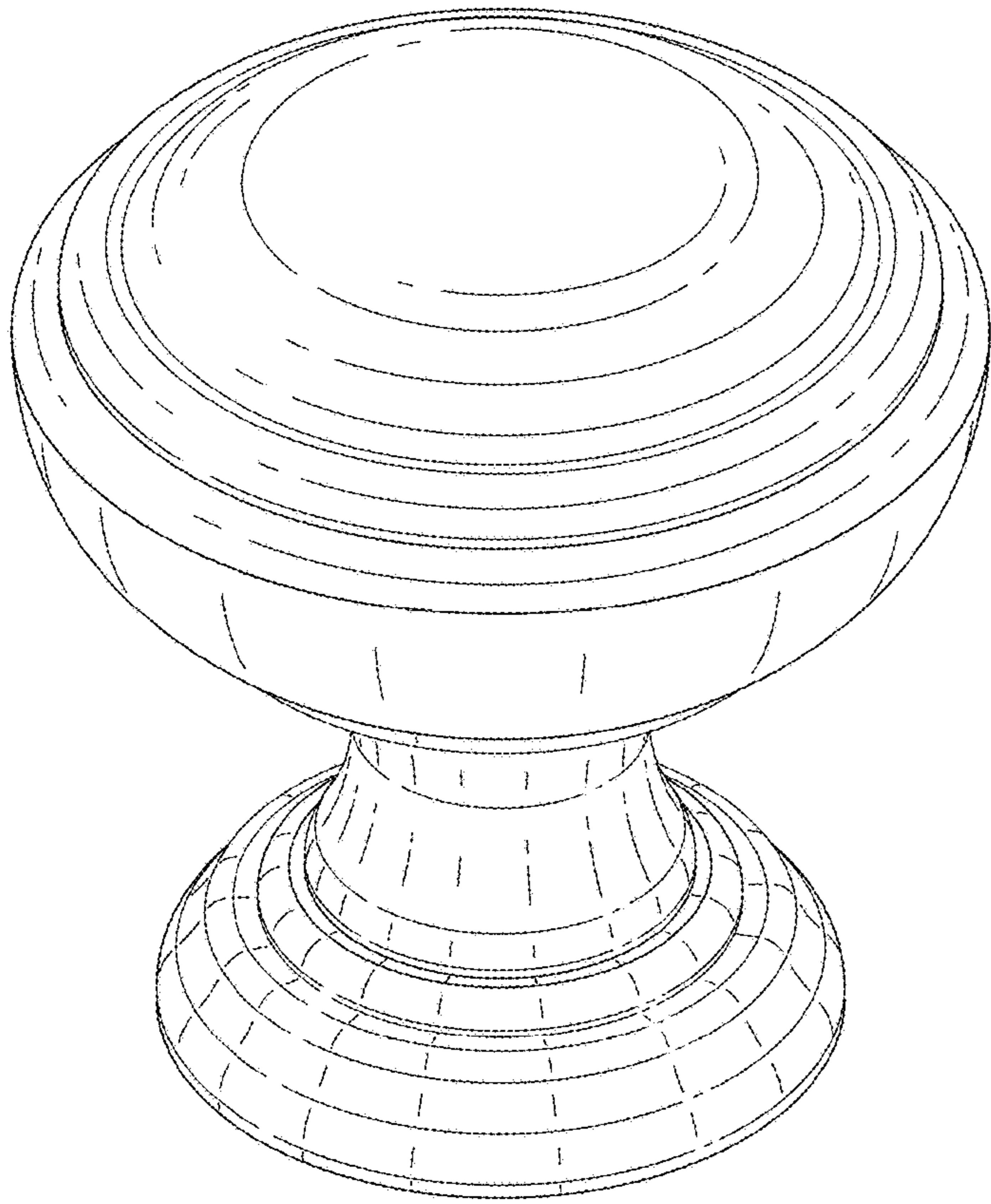


FIG. 1

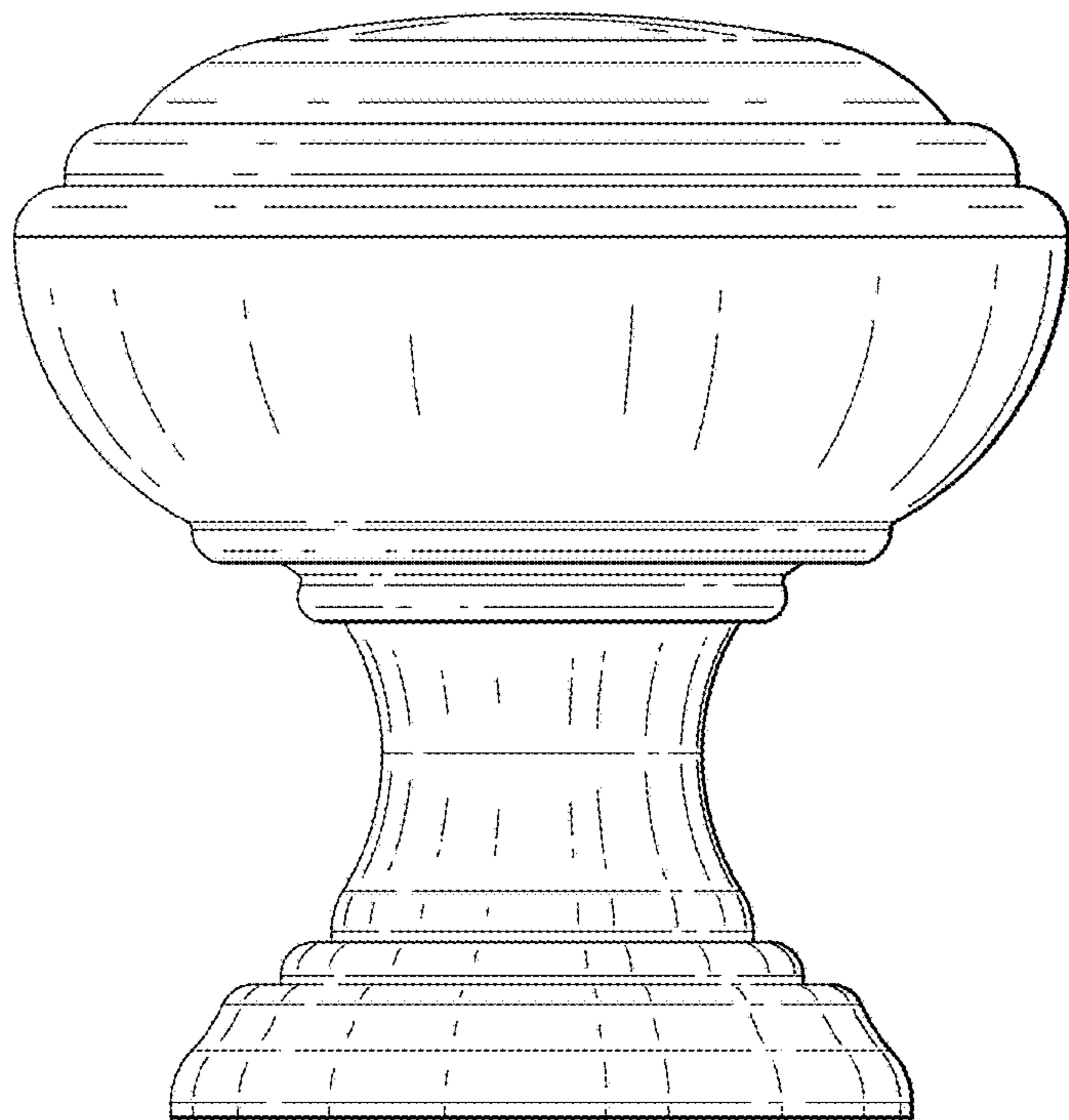


FIG. 2

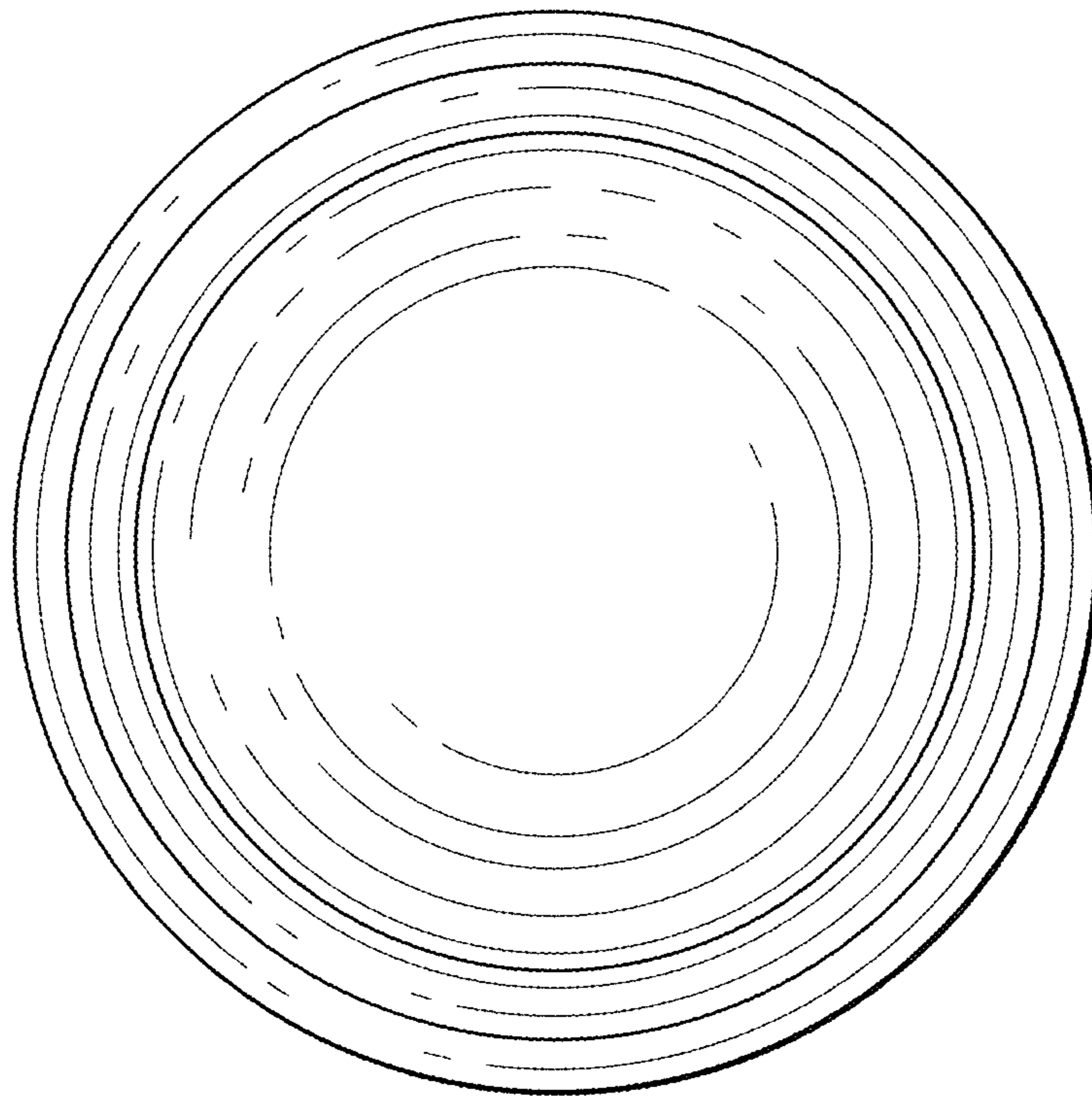


FIG. 3

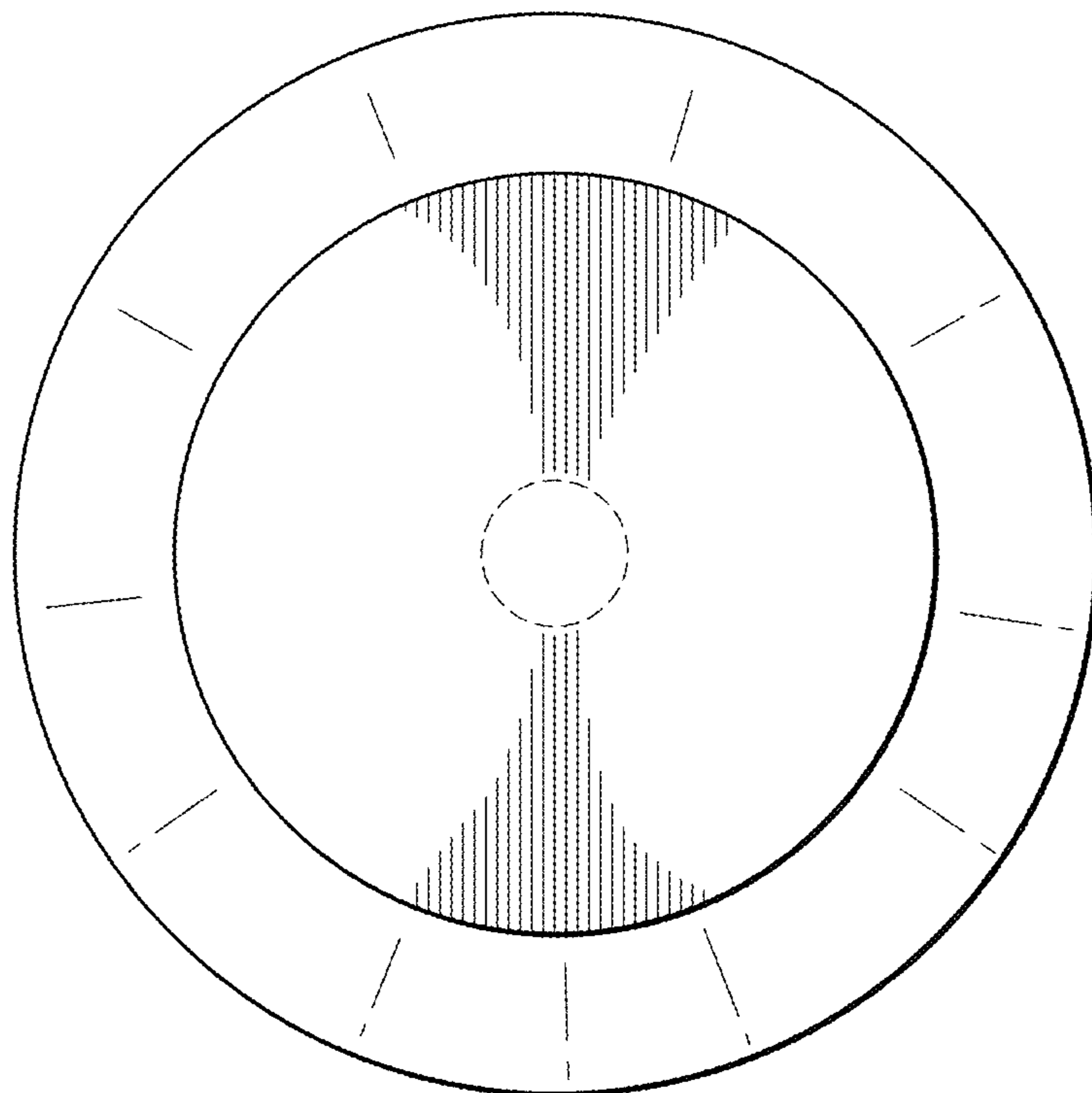


FIG. 4