



US00D792186S

(12) **United States Design Patent**
Key et al.

(10) **Patent No.:** **US D792,186 S**
(45) **Date of Patent:** **** Jul. 18, 2017**

- (54) **CABINET HANDLE**
- (71) Applicant: **METALIA INC.**, Chambly (CA)
- (72) Inventors: **Serge Key**, Beloeil (CA); **Kevin Key**, Otterburn Park (CA); **Jacques Desbiens**, Montreal (CA)
- (73) Assignee: **METALIA INC.**, Chambly (CA)
- (**) Term: **15 Years**
- (21) Appl. No.: **29/557,486**
- (22) Filed: **Mar. 9, 2016**
- (51) **LOC (10) Cl.** **08-06**
- (52) **U.S. Cl.**
USPC **D8/302**
- (58) **Field of Classification Search**
USPC D8/300, 302, 304, 305, 307, 311, 315, D8/397; D25/2
CPC Y10T 70/5761; Y10T 292/57; E05C 1/145
See application file for complete search history.

D622,126 S *	8/2010	Burns	D8/302
D654,779 S *	2/2012	Matre	D8/302
D674,678 S *	1/2013	Pickar	D8/302
D694,087 S *	11/2013	Burns	D8/302

FOREIGN PATENT DOCUMENTS

CA D161827 11/2015

OTHER PUBLICATIONS

Medium Storage Unit | 30" x 24½" x 32½ [Digital Lock Handle]:
Announced 2017 [online], site visited Apr. 19, 2017. Available from
Internet URL: <http://www.metalia.com/products/medium-storage-unit-20269>.*

* cited by examiner

Primary Examiner — Caron D Veynar
Assistant Examiner — Melvin Davis

(74) *Attorney, Agent, or Firm* — Gwendoline Bruneau

(57) **CLAIM**

The ornamental design for a cabinet handle, as shown and described.

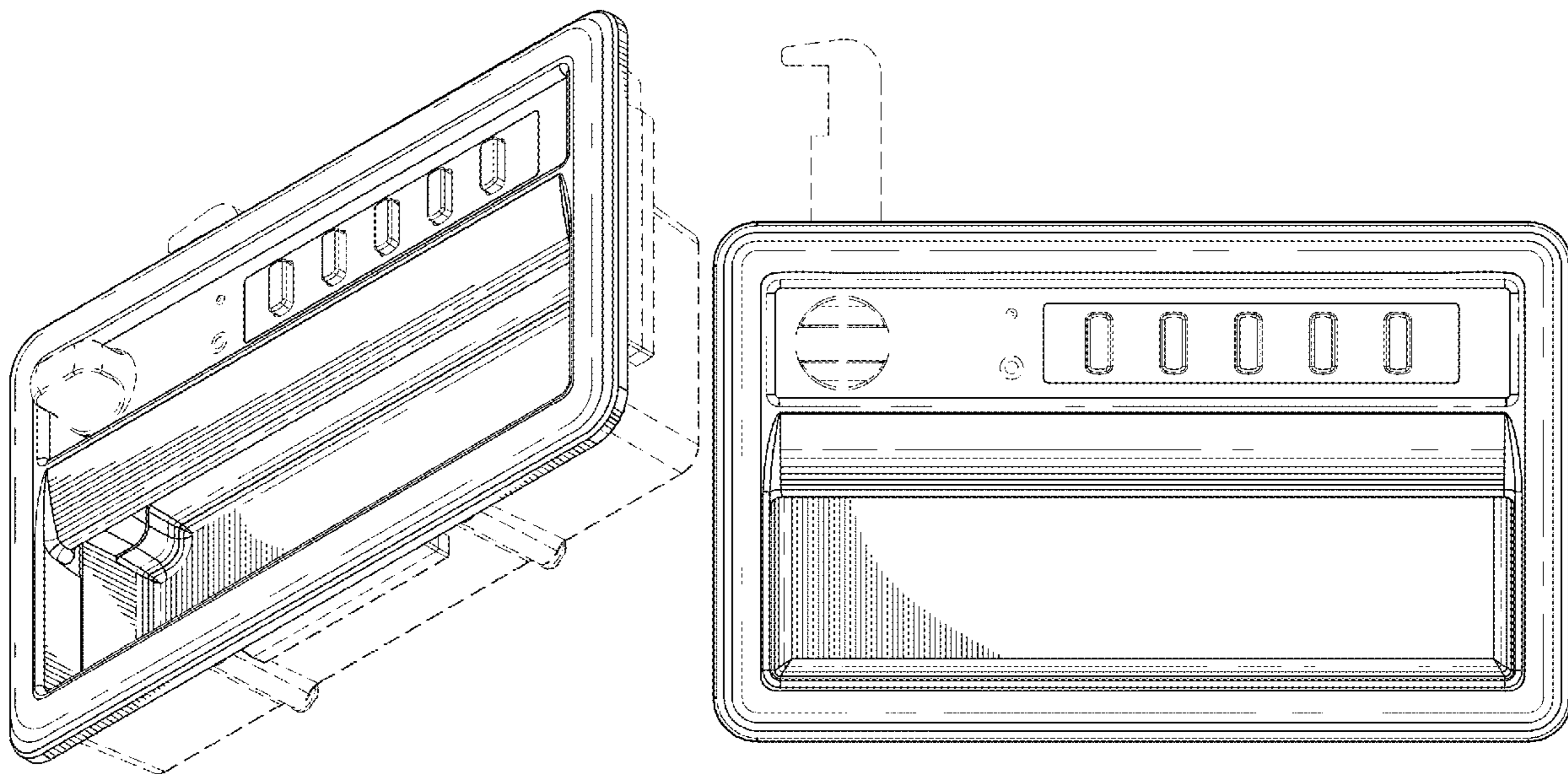
DESCRIPTION

FIG. 1 is a perspective view of the cabinet handle;
FIG. 2 is a front view thereof;
FIG. 3 is a rear view thereof;
FIG. 4 is a top view thereof; and,
FIG. 5 is a bottom view thereof.
The broken lines shown in the figures are included for the purpose of illustrating environment and form no part of the claimed design.

1 Claim, 3 Drawing Sheets

(56) **References Cited**
U.S. PATENT DOCUMENTS

2,668,076 A *	2/1954	Troche	E05C 1/145 292/336.3
D270,328 S *	8/1983	Davis	D8/302
D371,500 S *	7/1996	McConnell	D8/302
D390,086 S *	2/1998	Weinerman	D8/300
D427,045 S *	6/2000	Larsen	D8/302
D502,642 S *	3/2005	Misner	D8/302
D537,701 S *	3/2007	Houdek	D8/302
D572,997 S *	7/2008	Gulley	D8/302



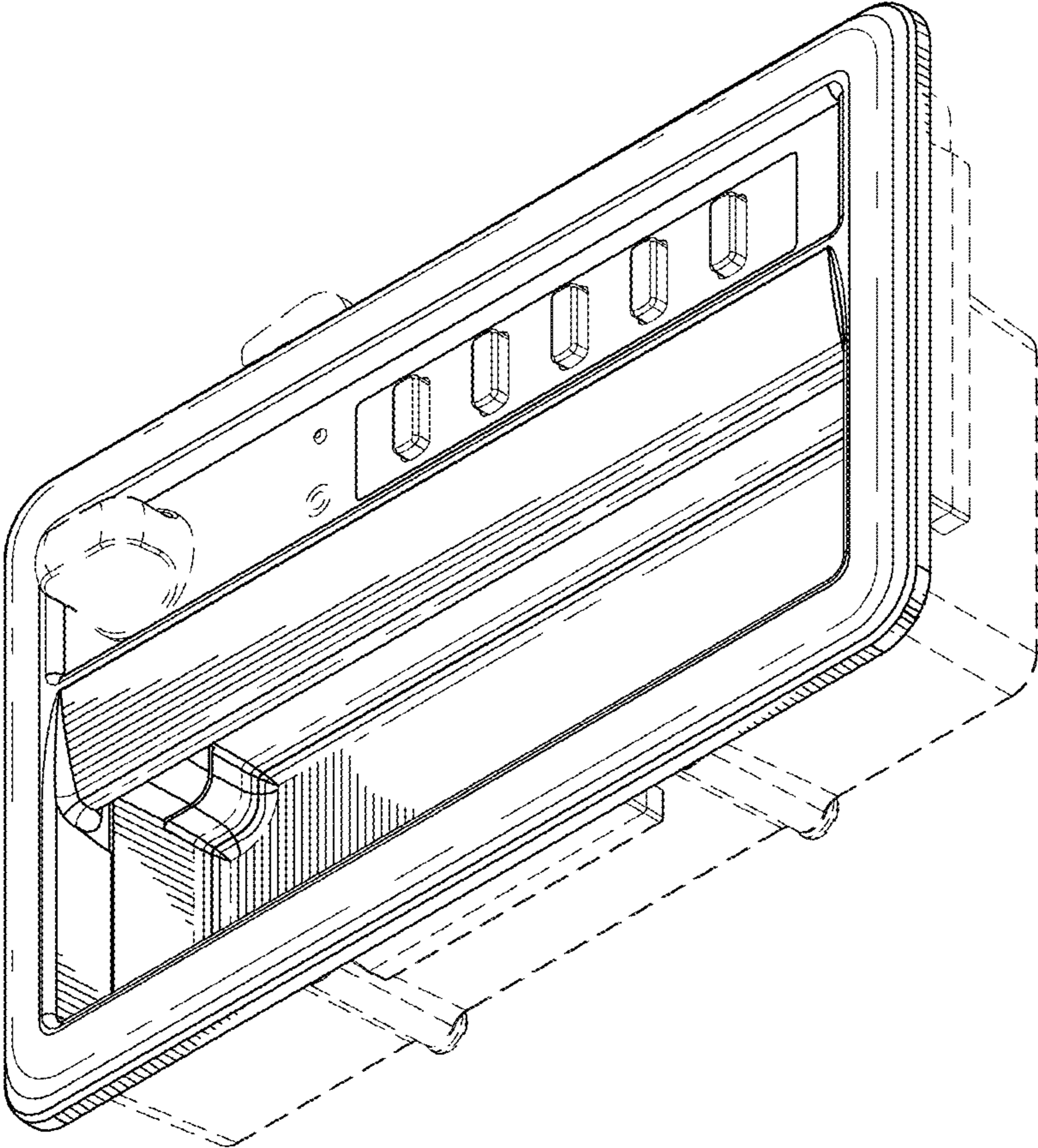


FIG-1

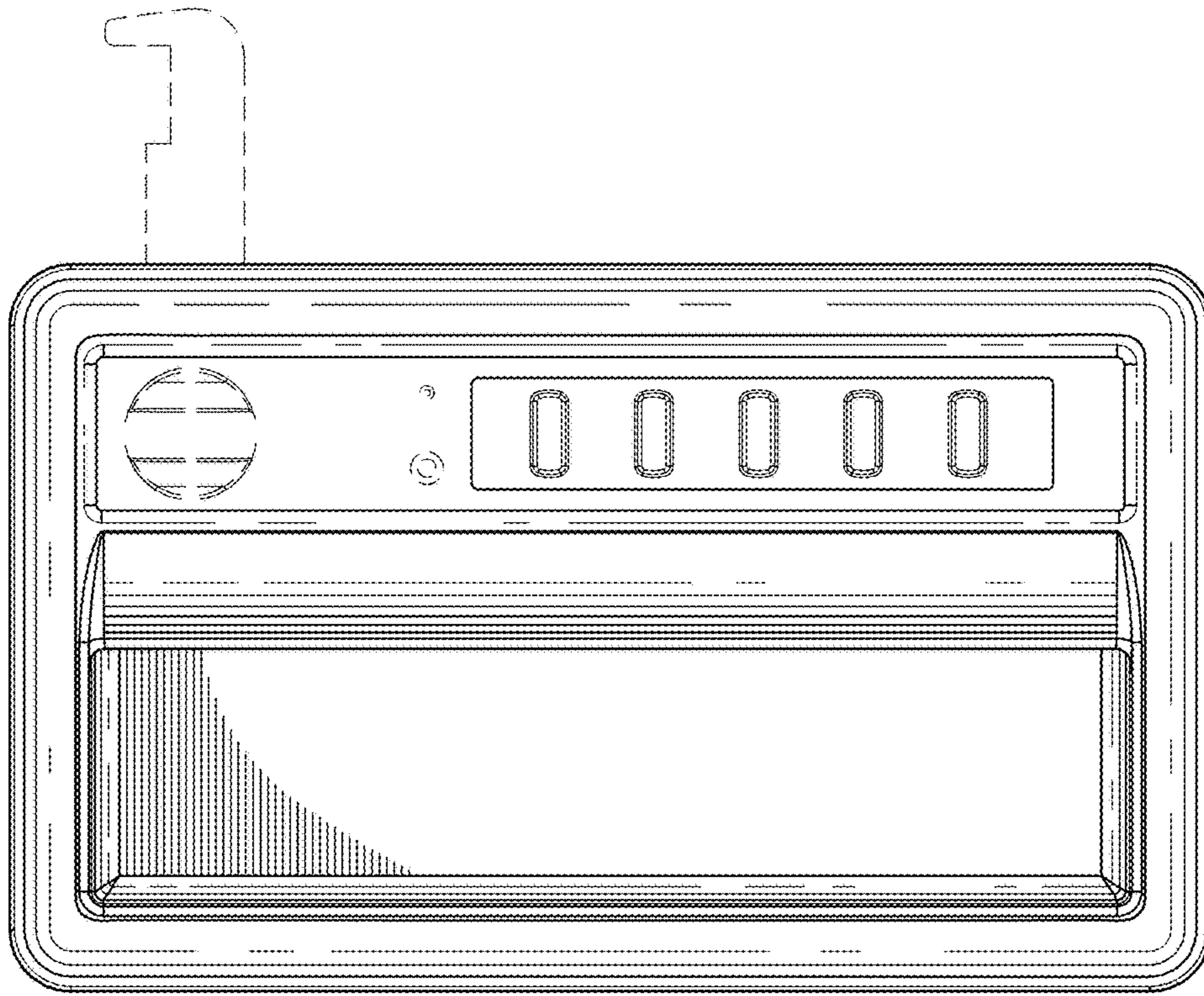


Fig. 2

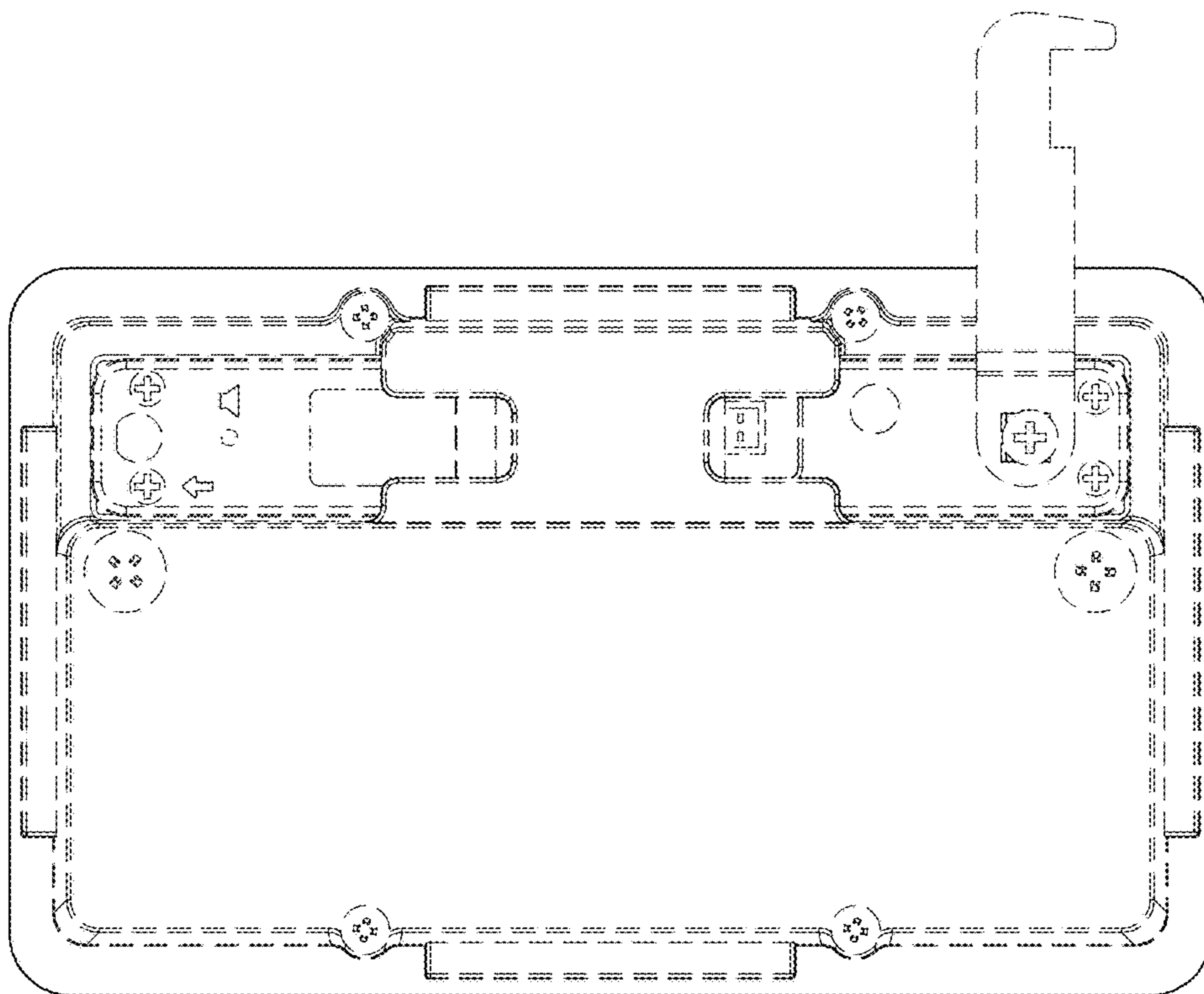


Fig. 3

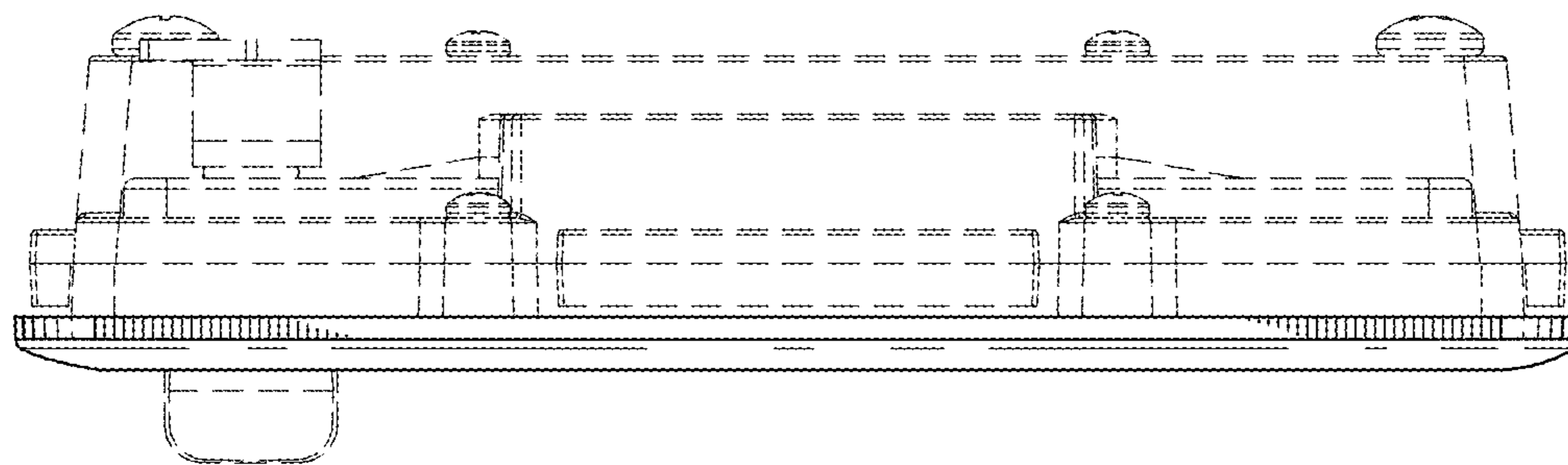


Fig-4

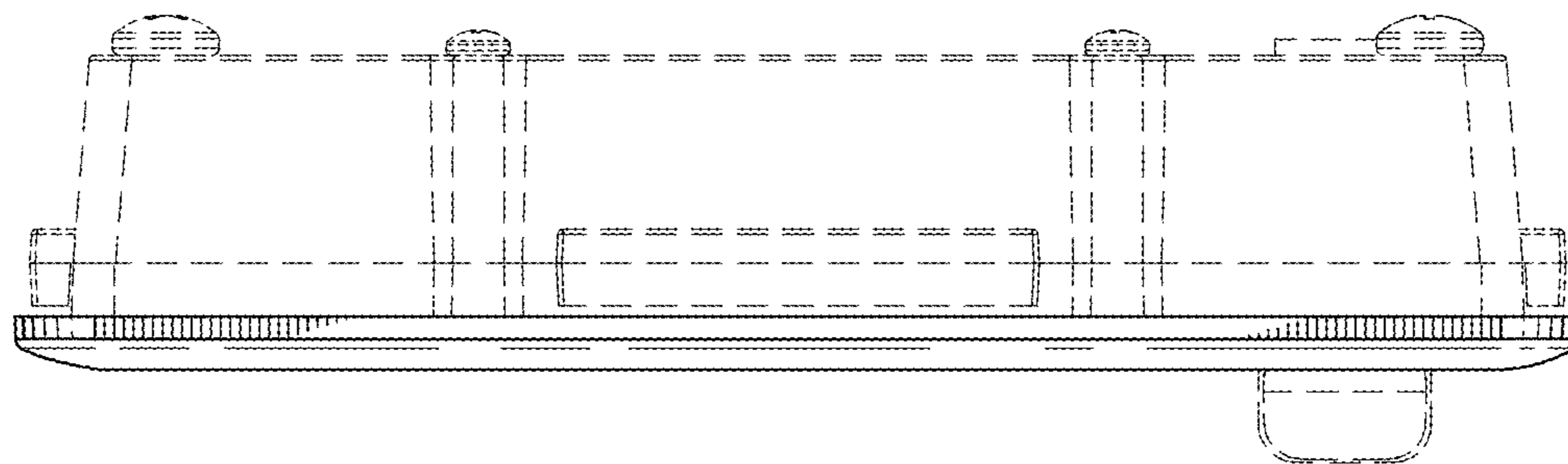


Fig-5