

US00D792185S

(12) **United States Design Patent**  
**Valenti**

(10) **Patent No.:** **US D792,185 S**

(45) **Date of Patent:** **\*\* Jul. 18, 2017**

(54) **WIRE STRIPPER**

(71) Applicant: **Thomas J. Valenti**, North Kinstown, RI (US)

(72) Inventor: **Thomas J. Valenti**, North Kinstown, RI (US)

(\*\*) Term: **15 Years**

(21) Appl. No.: **29/562,616**

(22) Filed: **Apr. 27, 2016**

**Related U.S. Application Data**

(62) Division of application No. 29/507,882, filed on Oct. 31, 2014, now Pat. No. Des. 758,159.

(51) **LOC (10) Cl.** ..... **08-03**

(52) **U.S. Cl.**  
USPC ..... **D8/98**

(58) **Field of Classification Search**  
USPC ..... D8/14, 51, 98  
CPC ..... H02G 1/12; H02G 1/1224; H02G 1/1292;  
H02G 1/1201; H02G 1/1204; H02G  
1/1207

See application file for complete search history.

(56) **References Cited**

**U.S. PATENT DOCUMENTS**

|               |         |                     |                      |
|---------------|---------|---------------------|----------------------|
| 4,130,031 A   | 12/1978 | Wiener et al.       |                      |
| 4,829,671 A   | 5/1989  | Cheng               |                      |
| 5,036,734 A   | 8/1991  | Morrow              |                      |
| 5,167,071 A * | 12/1992 | Eisen               | B43L 23/08<br>30/452 |
| 5,325,587 A   | 7/1994  | Steiner et al.      |                      |
| D359,214 S    | 6/1995  | Carlson, Jr. et al. |                      |
| 5,435,029 A   | 7/1995  | Carlson, Jr. et al. |                      |
| 6,058,303 A   | 5/2000  | Astrom et al.       |                      |

|                |         |                 |                       |
|----------------|---------|-----------------|-----------------------|
| 6,253,641 B1   | 7/2001  | Tarpill         |                       |
| 6,505,399 B2   | 1/2003  | Lo et al.       |                       |
| 6,976,314 B2 * | 12/2005 | Luttgens        | A61L 2/16<br>144/28.1 |
| 7,003,883 B2   | 2/2006  | Tapper          |                       |
| 7,216,431 B2   | 5/2007  | Holliday et al. |                       |

**OTHER PUBLICATIONS**

Ideal Industries Ideal Wire Stripper (3½ Inch), Model: 45-321 6KJU1 available at <https://shopping.yahoo.com/910046785-ideal-45-321-wire-stripper-coax-rg659-2-level-6kju1-6kju1/>; on sale prior to Sep. 25, 2014 (1 page).  
Wire and Cable Stripper manufactured by Pittsburgh, Item #96158 available at <http://www.harborfreight.com/wire-and-cable-stripper-96158.html>; on sale prior to Sep. 25, 2014 (1 page).

(Continued)

*Primary Examiner* — Phillip S Hyder  
(74) *Attorney, Agent, or Firm* — McDonnell Boehnen Hulbert & Berghoff LLP

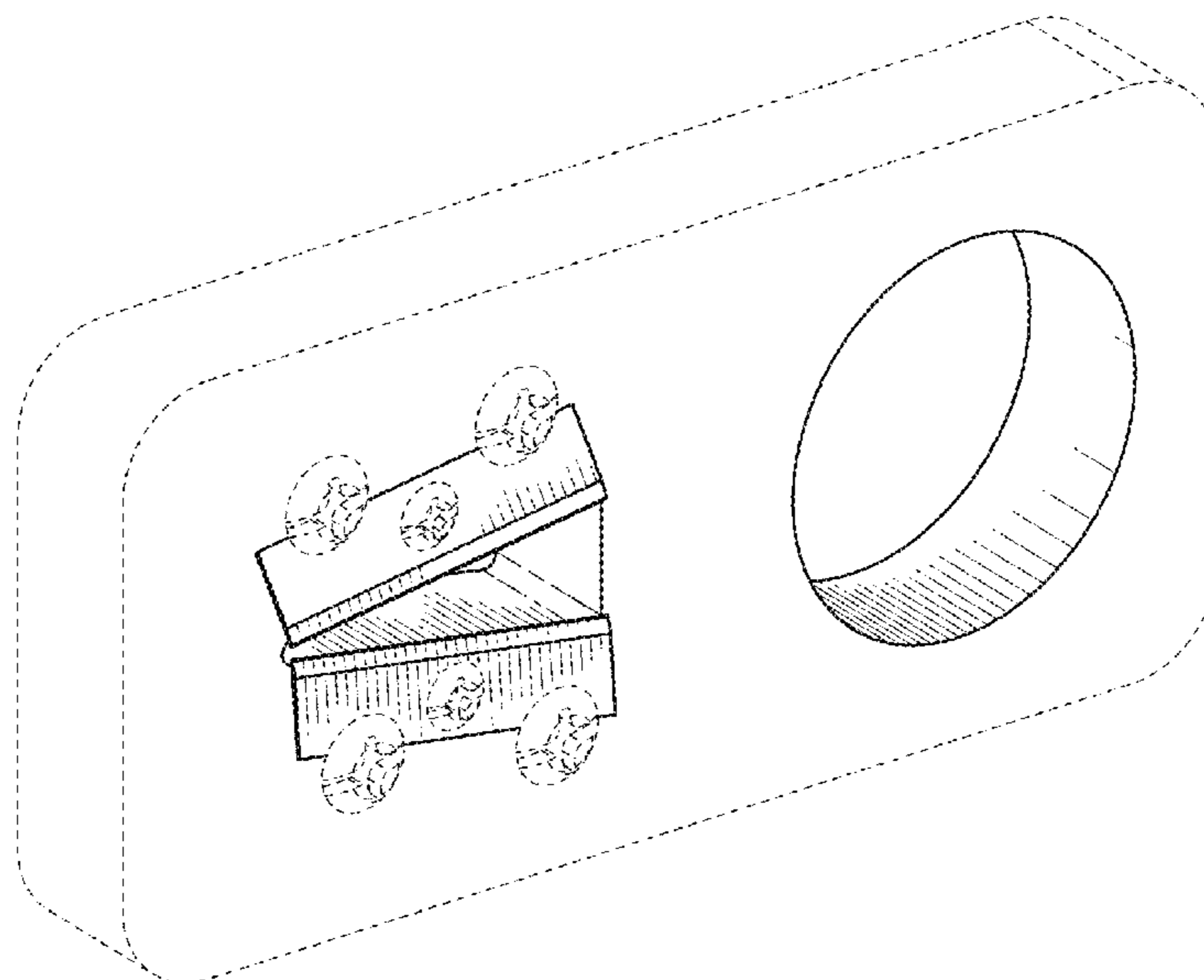
(57) **CLAIM**

The ornamental design for a wire stripper, as shown and described.

**DESCRIPTION**

FIG. 1 is a perspective view of a wire stripper according to my new design;  
FIG. 2 is a front side elevation view thereof;  
FIG. 3 is a rear side elevation view thereof;  
FIG. 4 is a bottom plan view thereof;  
FIG. 5 is a top plan view thereof;  
FIG. 6 is a right side elevation view thereof; and,  
FIG. 7 is a left side elevation view thereof.  
The broken lines depict portions of the wire stripper in which the design is embodied that are not considered part of the claimed design.

**1 Claim, 3 Drawing Sheets**



(56)

**References Cited**

OTHER PUBLICATIONS

Rotary Cable Stripper manufactured by Pittsburgh, Item #98953 available at <http://www.harborfreight.com/rotary-coaxial-cable-stripper-98953.html>; on sale prior to Sep. 25, 2014 (1 page).

Phoenix Contact Cyclops available at <http://www.mrostop.com/1204481-phoenix-contact-cyclops.html>; on sale prior to Sep. 25, 2014 (4 pages).

Phoenix Contact Wirefox-D 11 available at <http://www.mrostop.com/1212160-phoenix-contact-wirefox-d-11.html>; on sale prior to Sep. 25, 2014 (4 pages).

\* cited by examiner

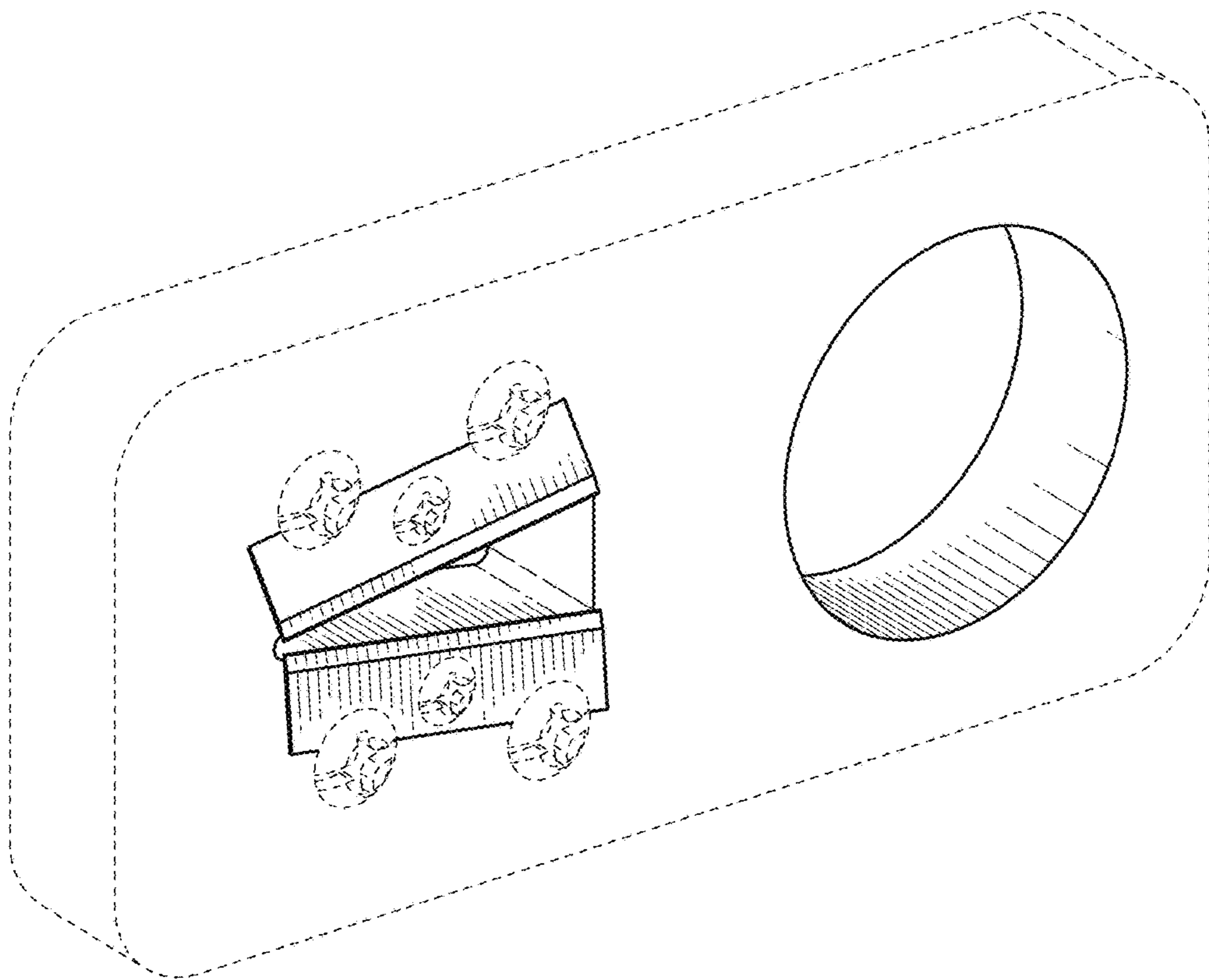


FIG. 1

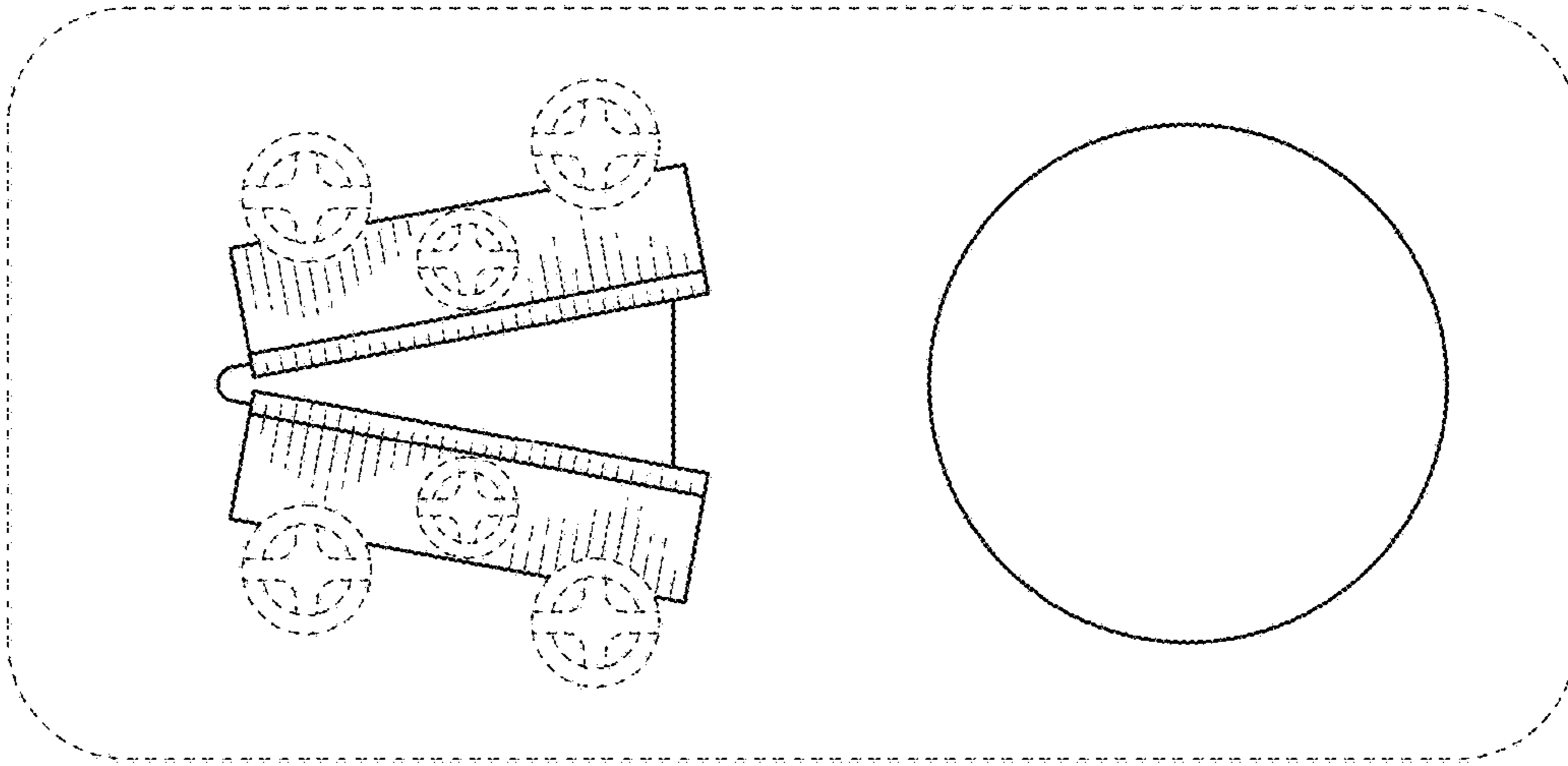


FIG. 2

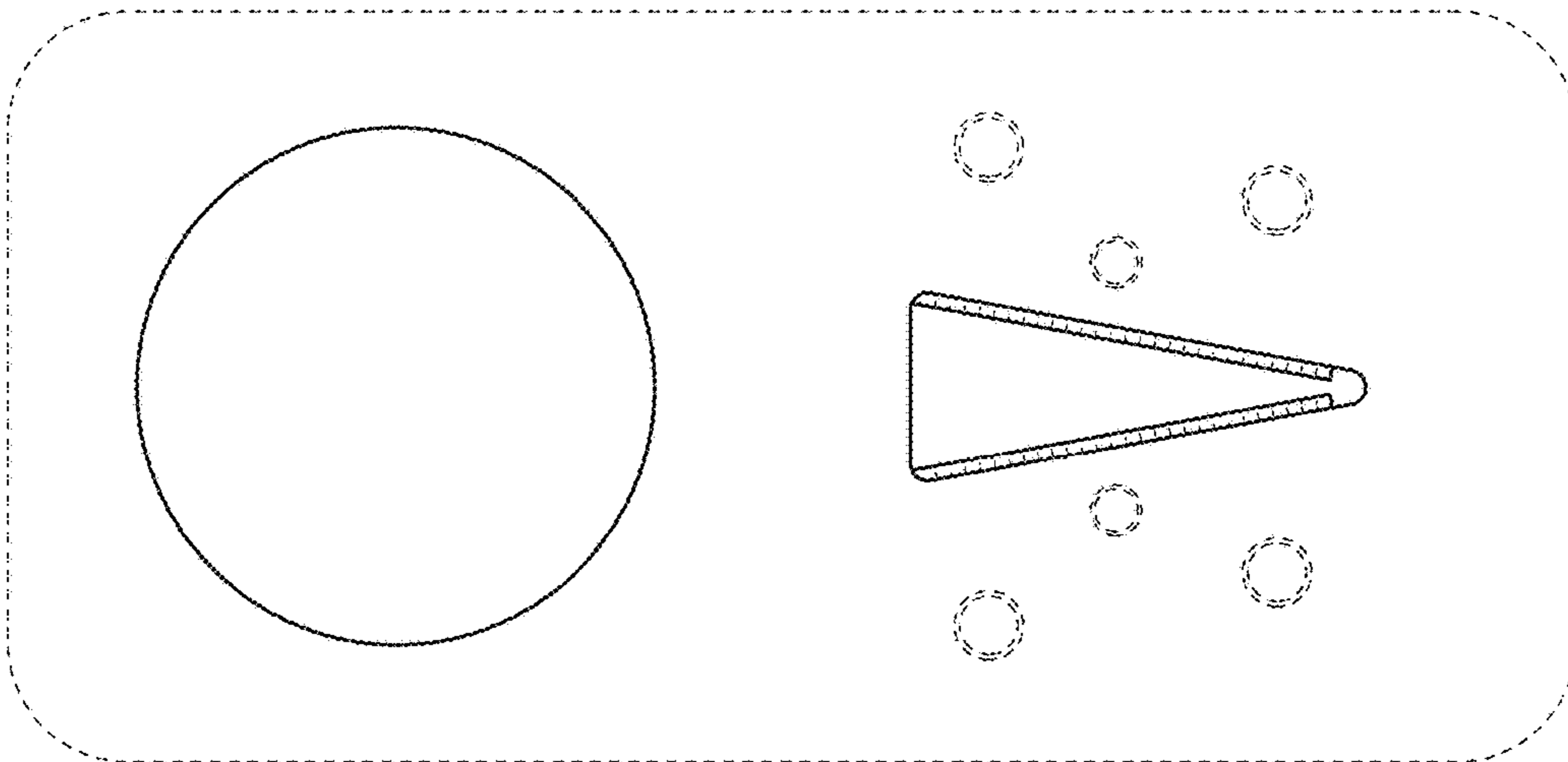


FIG. 3

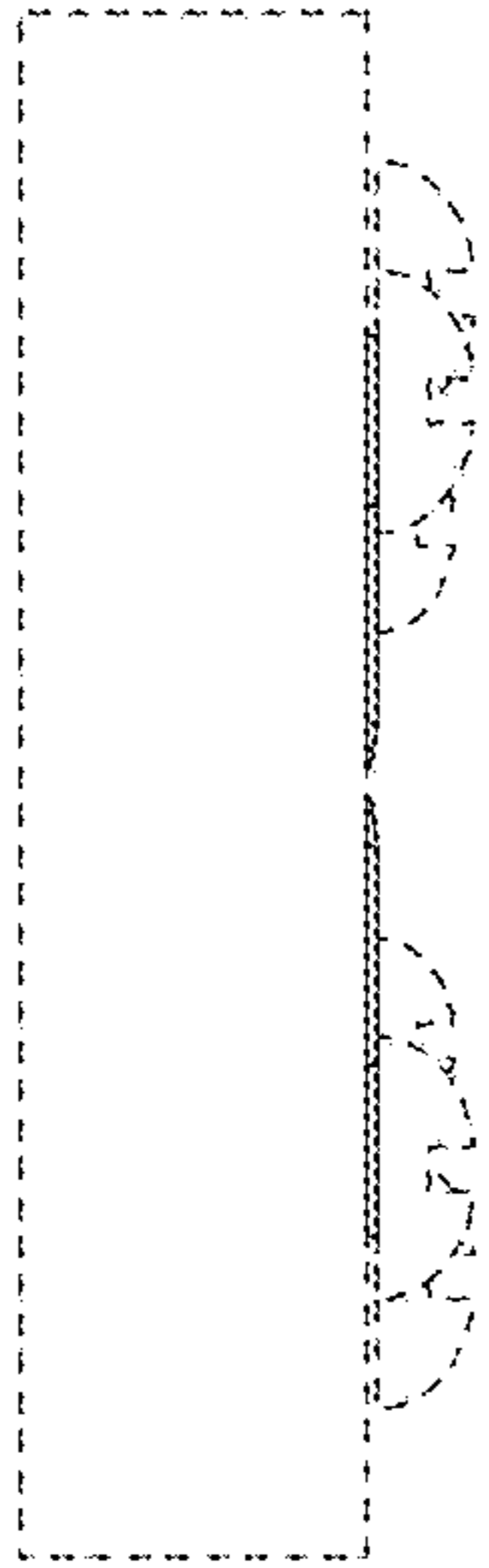


FIG. 4

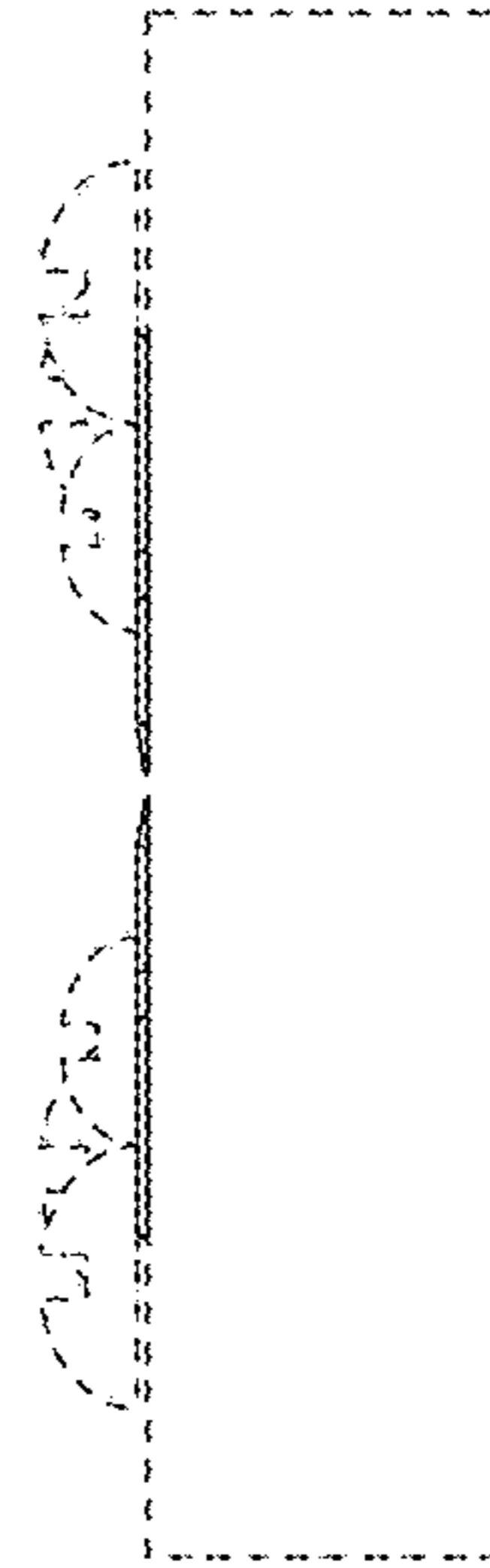


FIG. 5

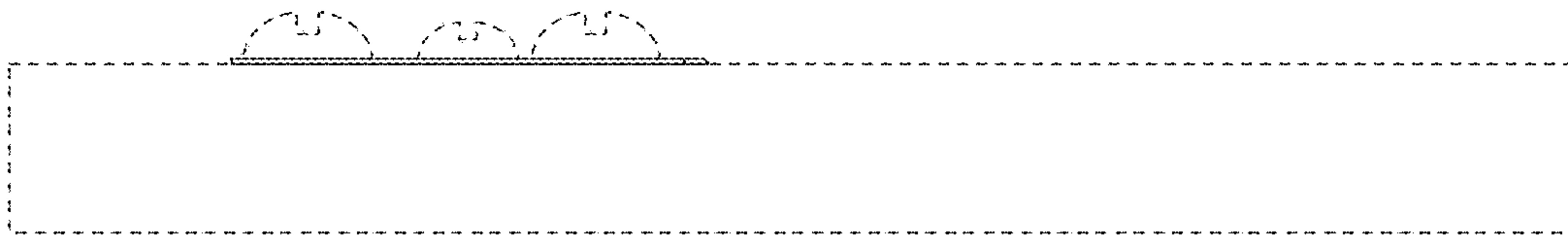


FIG. 6

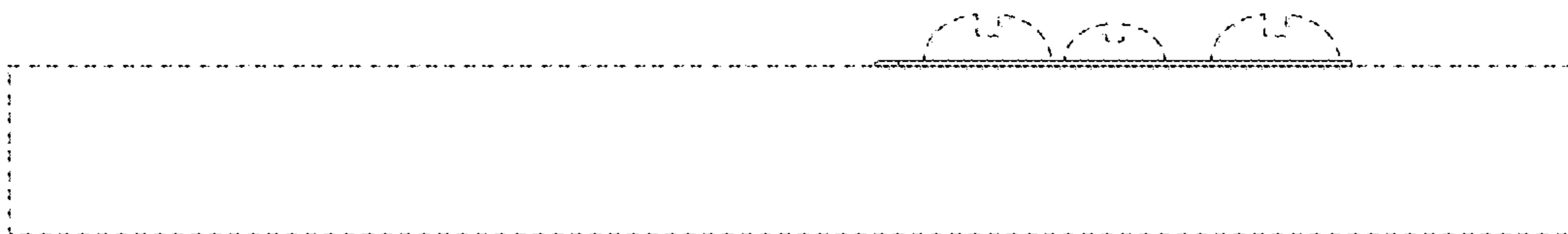


FIG. 7