

US00D792184S

(12) **United States Design Patent**  
**Deshler**

(10) **Patent No.:** **US D792,184 S**

(45) **Date of Patent:** **\*\* Jul. 18, 2017**

(54) **TOOL ACCESSORY HOLDER**

(71) Applicant: **Donald T. Deshler**, Orange, CA (US)

(72) Inventor: **Donald T. Deshler**, Orange, CA (US)

(\*\*) Term: **15 Years**

(21) Appl. No.: **29/544,763**

(22) Filed: **Nov. 5, 2015**

(51) **LOC (10) Cl.** ..... **08-05**

(52) **U.S. Cl.**

USPC ..... **D8/71; D6/684**

(58) **Field of Classification Search**

USPC .... D8/16, 19, 349, 354, 355, 363, 364, 366,  
D8/370-373, 376, 380, 382, 384-386,  
D8/396, 400, 499; D6/553, 550, 323,  
D6/684; D23/202, 223, 238, 252, 257,  
D23/205, 206; D11/208; D20/15, 41,  
D20/42; D12/416, 214; D25/38.1, 39,  
D25/43; D3/210, 228; D13/133,  
D13/146-148, 154, 184, 199; D32/29,  
D32/30, 53, 53.1, 54; D30/121, 124,  
D30/128, 133; D21/526

CPC ... E02F 3/962; E02F 3/34; E02F 3/342; E02F  
3/345; E02F 3/3486; E02F 3/3604; E02F  
3/40; A01K 97/05; A01K 97/06; E01H  
5/12; E01H 1/045; A01D 87/0061; A01D  
87/127; E04G 21/025; E04G 21/04

See application file for complete search history.

(56) **References Cited**

**U.S. PATENT DOCUMENTS**

D41,366 S \* 5/1911 Lehmann ..... D8/373  
2,431,698 A \* 12/1947 Lombard ..... A62C 13/78  
248/311.2

D265,287 S \* 7/1982 Ziaylek, Jr. .... D8/373  
D291,279 S \* 8/1987 Bergeron ..... D25/119  
D293,416 S \* 12/1987 Krueger ..... 52/696  
D294,667 S \* 3/1988 Handler ..... D6/569  
D319,778 S \* 9/1991 Ziaylek, Jr. .... D8/373  
D369,535 S \* 5/1996 Holtzman ..... D8/71  
D416,471 S \* 11/1999 Wurdack ..... D8/363  
6,220,557 B1 \* 4/2001 Ziaylek ..... A62C 13/78  
248/154  
6,926,243 B1 \* 8/2005 Ziaylek ..... A62B 25/00  
248/307  
D567,638 S \* 4/2008 Rieder ..... D8/371  
D618,987 S \* 7/2010 Ziaylek ..... D8/373

\* cited by examiner

*Primary Examiner* — Robert M Spear

*Assistant Examiner* — Eliza Bennett-Hattan

(74) *Attorney, Agent, or Firm* — Roy A. Ekstrand

(57) **CLAIM**

The ornamental design for a tool accessory holder, as shown and described.

**DESCRIPTION**

FIG. 1 sets forth a perspective view of a tool accessory holder showing the present invention new design;

FIG. 2 is a front view thereof;

FIG. 3 is a right side view thereof;

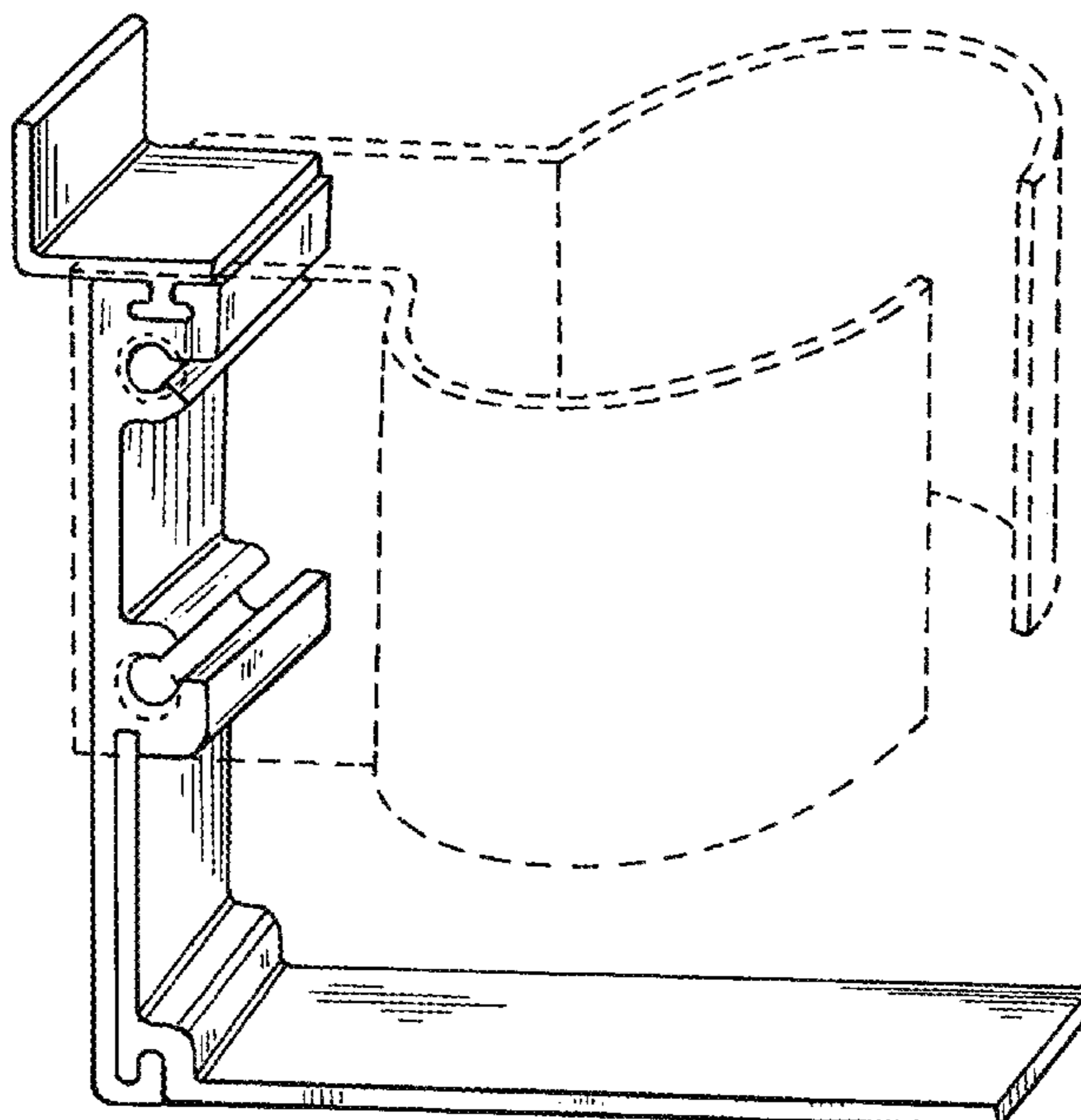
FIG. 4 is a left side view thereof;

FIG. 5 is a top view thereof;

FIG. 6 is a bottom view thereof; and,

FIG. 7 is a rear view thereof.

**1 Claim, 3 Drawing Sheets**



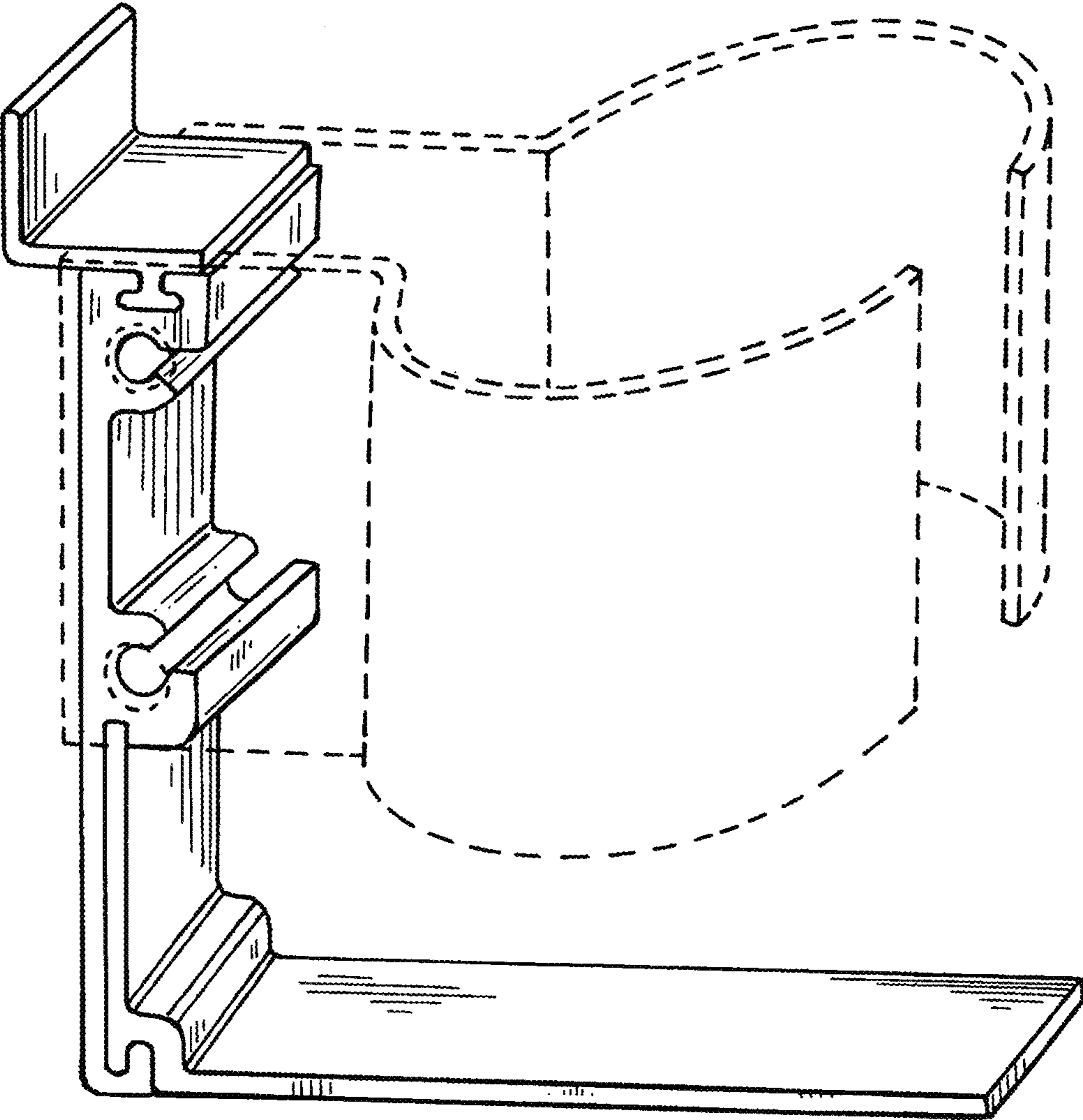


FIG. 1

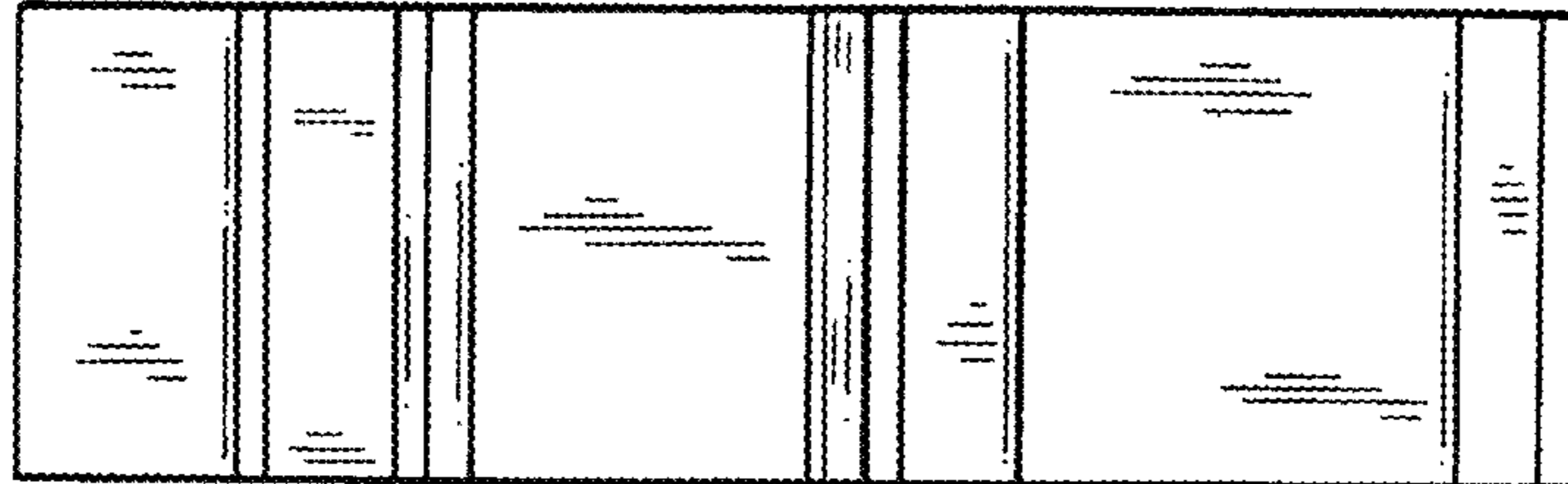


FIG. 2

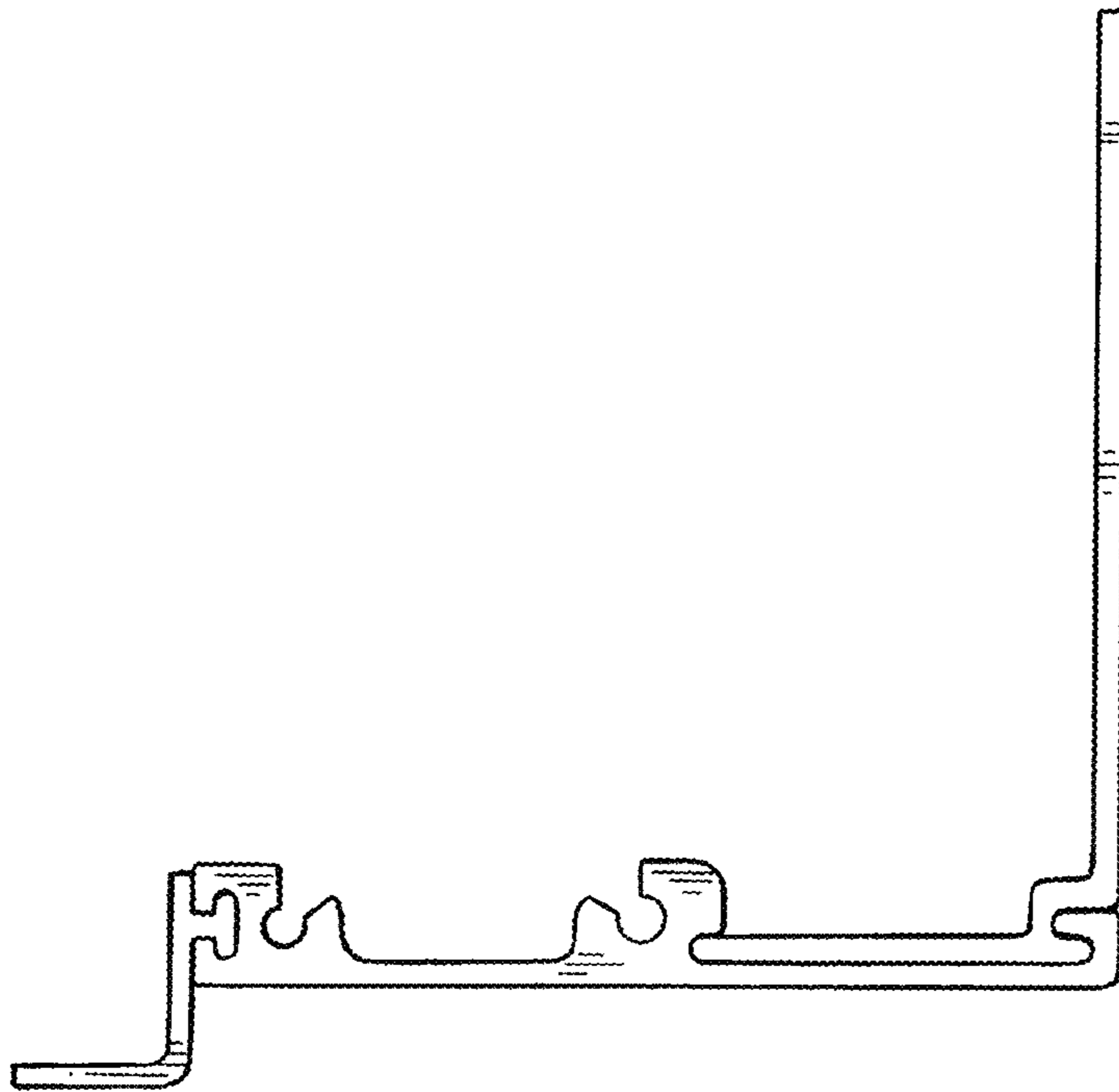


FIG. 3

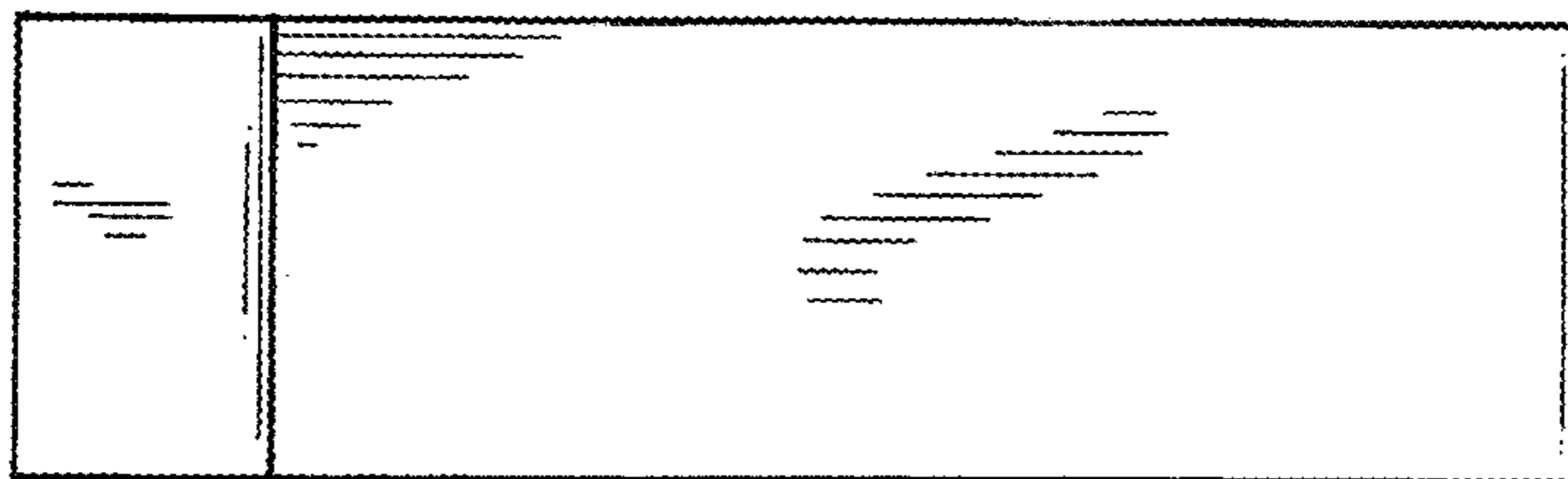


FIG. 7

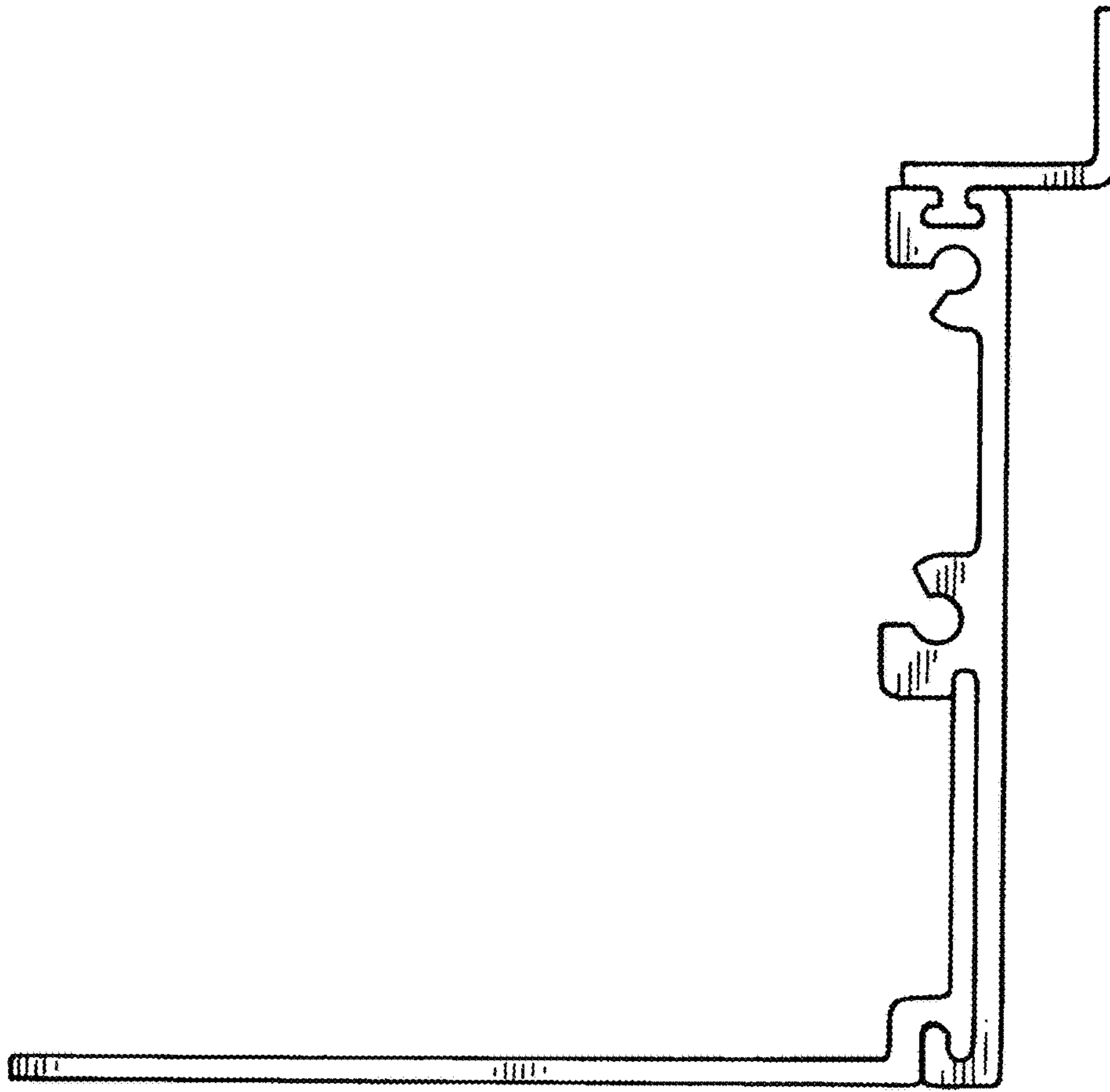


FIG. 4

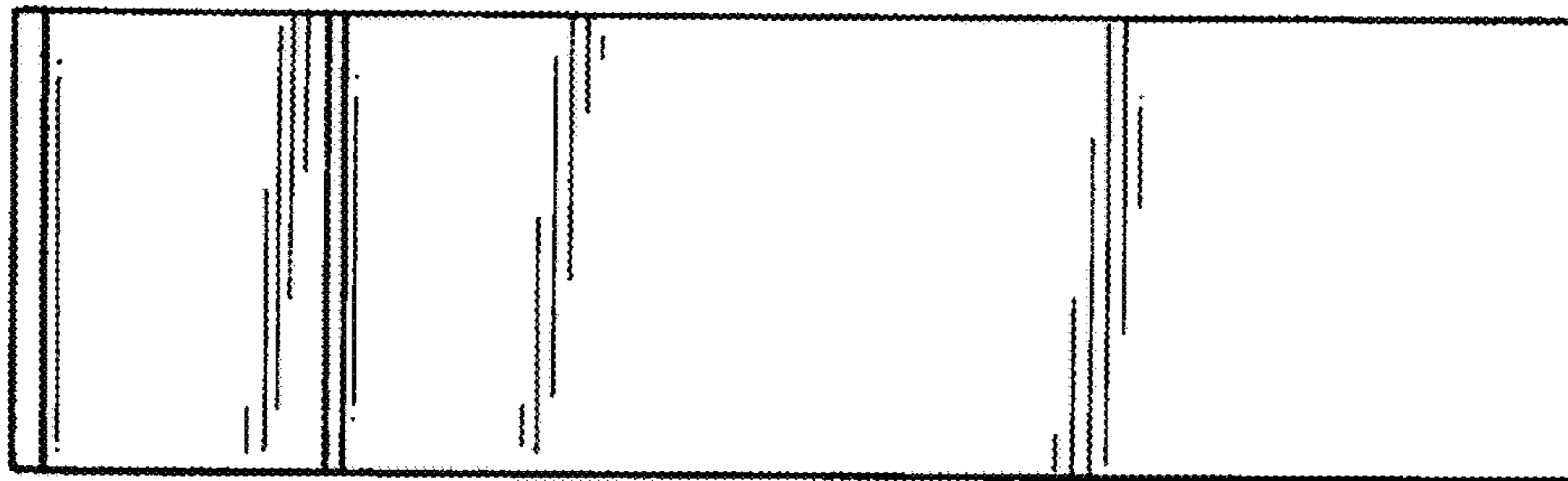


FIG. 5

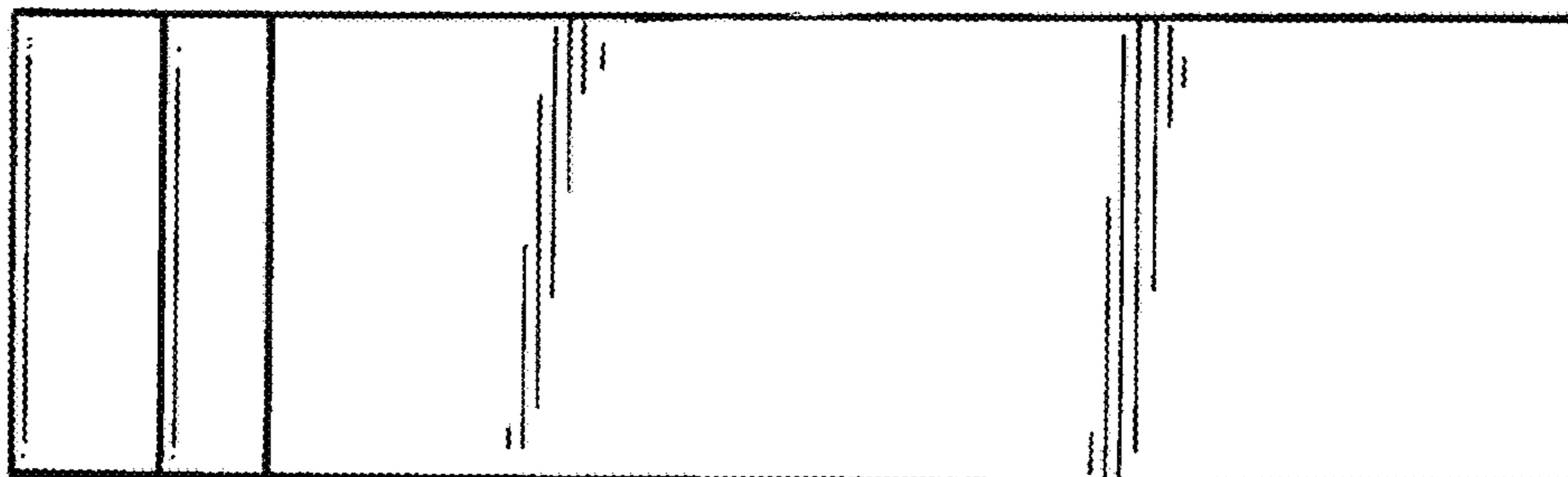


FIG. 6