

US00D792182S

(12) **United States Design Patent**  
**Ishikawa et al.**

(10) **Patent No.:** **US D792,182 S**

(45) **Date of Patent:** **\*\* Jul. 18, 2017**

(54) **JIG SAW**

(71) Applicant: **Hitachi Koki Co., Ltd.**, Minato-Ku,  
Tokyo (JP)

(72) Inventors: **Megumi Ishikawa**, Hitachinaka (JP);  
**Tomoyuki Kawahara**, Hitachinaka  
(JP); **Satoshi Iwata**, Hitachinaka (JP)

(73) Assignee: **Hitachi Koki Co., Ltd.**, Minato-Ku,  
Tokyo (JP)

(\*\*) Term: **15 Years**

(21) Appl. No.: **29/536,869**

(22) Filed: **Aug. 20, 2015**

(30) **Foreign Application Priority Data**

Feb. 20, 2015 (JP) ..... 2015-003507

(51) **LOC (10) Cl.** ..... **08-03**

(52) **U.S. Cl.**  
USPC ..... **D8/64**

(58) **Field of Classification Search**

USPC ..... D8/69, 68, 67, 66, 64, 61; 83/747,  
83/699.21; 310/50; 30/394, 393, 392,  
30/391, 390, 377, 376; 173/216, 217  
CPC .... B27B 19/09; B23D 49/162; B23D 49/165;  
B23D 49/167; B25F 5/02  
See application file for complete search history.

(56) **References Cited**

**U.S. PATENT DOCUMENTS**

D446,703 S \* 8/2001 Netzler ..... D8/64  
D484,381 S \* 12/2003 Yamada ..... D8/64

D519,804 S \* 5/2006 Wu ..... D8/64  
D520,318 S \* 5/2006 Waldron ..... D8/64  
D524,621 S \* 7/2006 Wu ..... D8/64  
D532,664 S \* 11/2006 Wu ..... D8/64  
D559,642 S \* 1/2008 Taniguchi ..... D8/64  
D560,455 S \* 1/2008 Yamamoto ..... D8/64  
D560,989 S \* 2/2008 Yamamoto ..... D8/64  
D562,096 S \* 2/2008 Taniguchi ..... D8/64  
D572,555 S \* 7/2008 Baumgaertner ..... D8/64  
D671,386 S \* 11/2012 Ni ..... D8/64  
D752,405 S \* 3/2016 Ishikawa ..... D8/64

\* cited by examiner

*Primary Examiner* — Austin Murphy

(74) *Attorney, Agent, or Firm* — Banner & Witcoff, Ltd.

(57) **CLAIM**

The ornamental design for the jig saw, as shown and described.

**DESCRIPTION**

FIG. 1 is a perspective view of front, top and left side of the jig saw showing our new design;  
FIG. 2 is a perspective view of rear, top and right side thereof;  
FIG. 3 is a front view thereof;  
FIG. 4 is a rear view thereof;  
FIG. 5 is a top plan view thereof;  
FIG. 6 is a bottom plan view thereof;  
FIG. 7 is a left side view thereof; and,  
FIG. 8 is a right side view thereof.

**1 Claim, 8 Drawing Sheets**

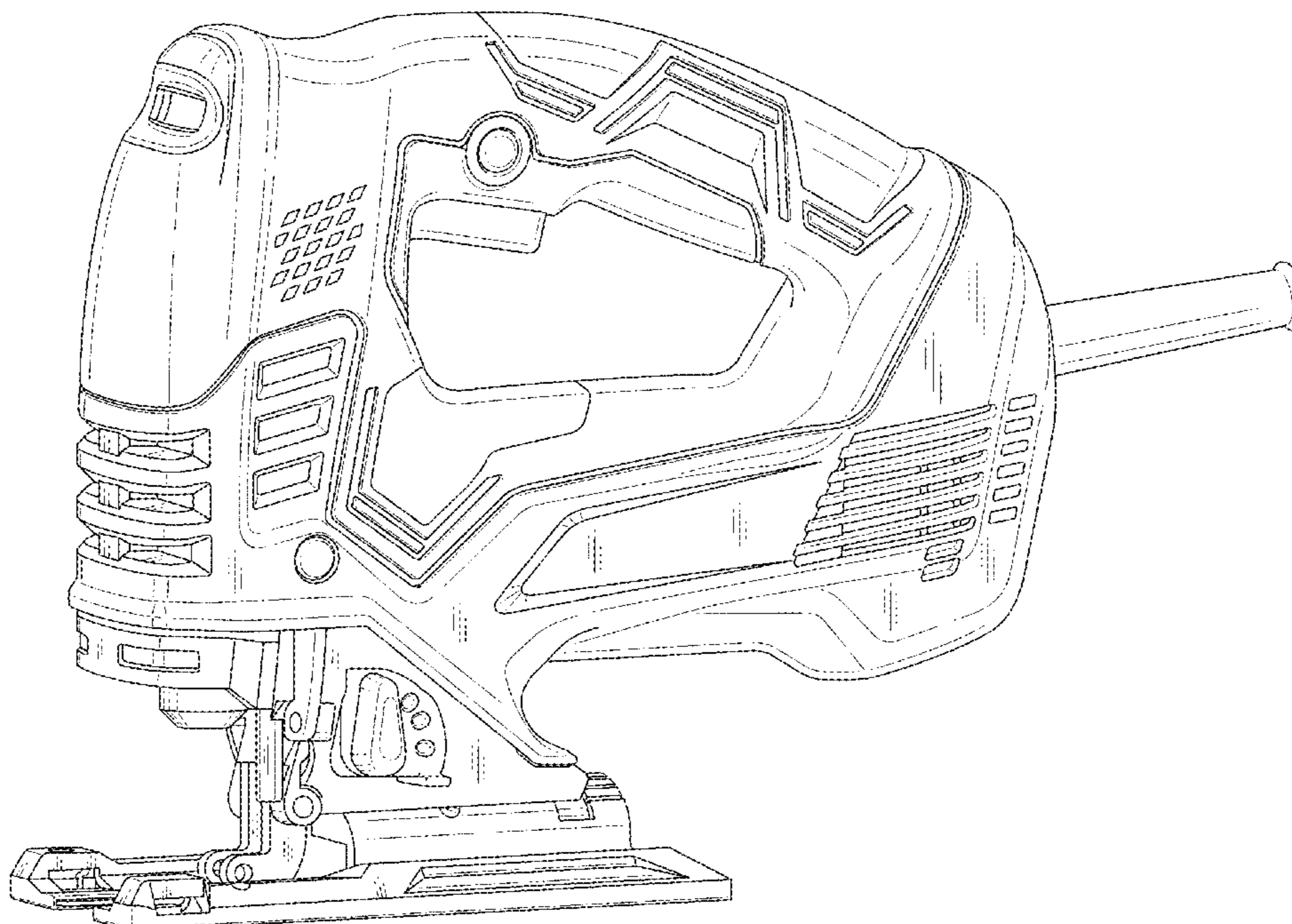


Fig. 1

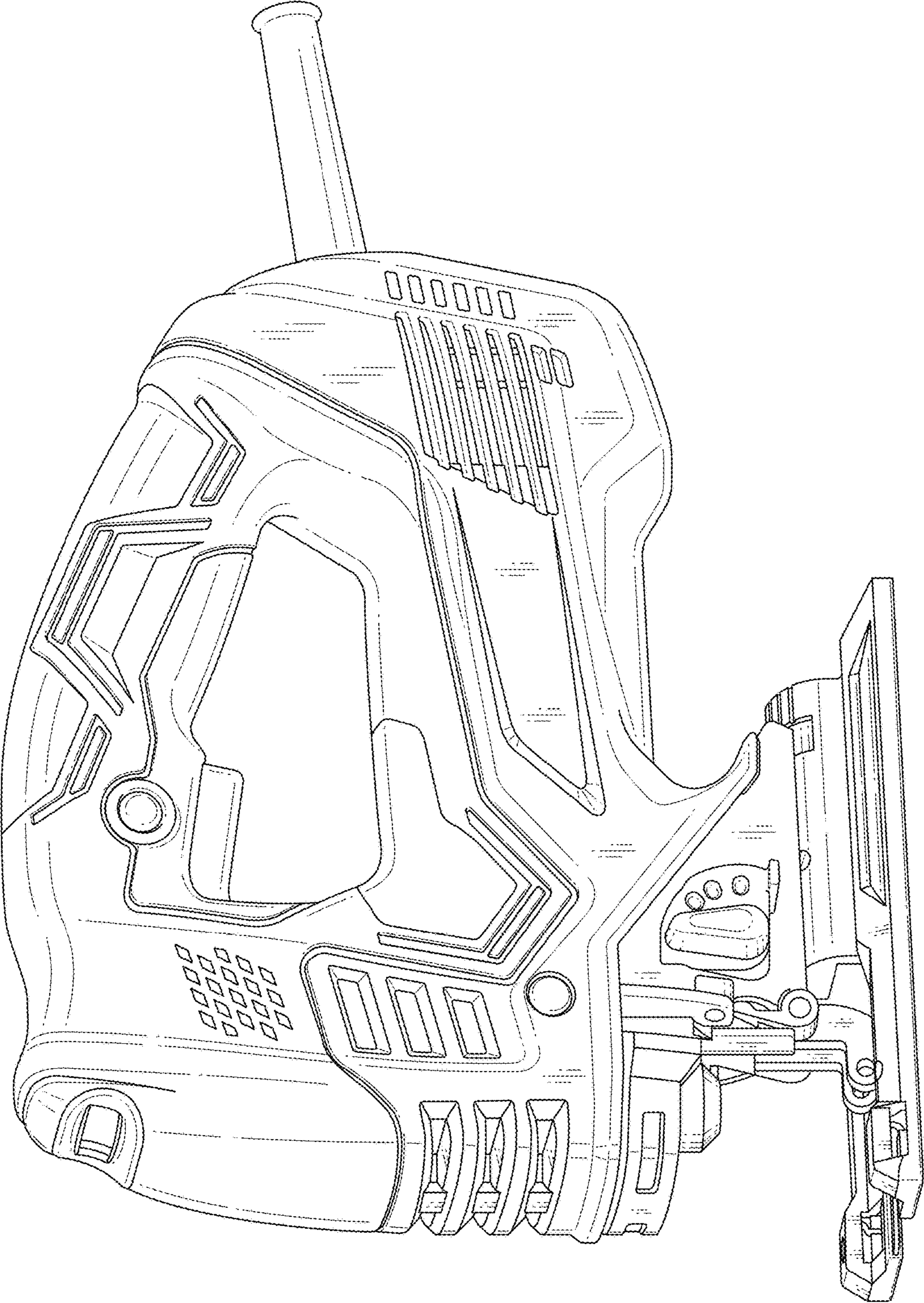


Fig. 2

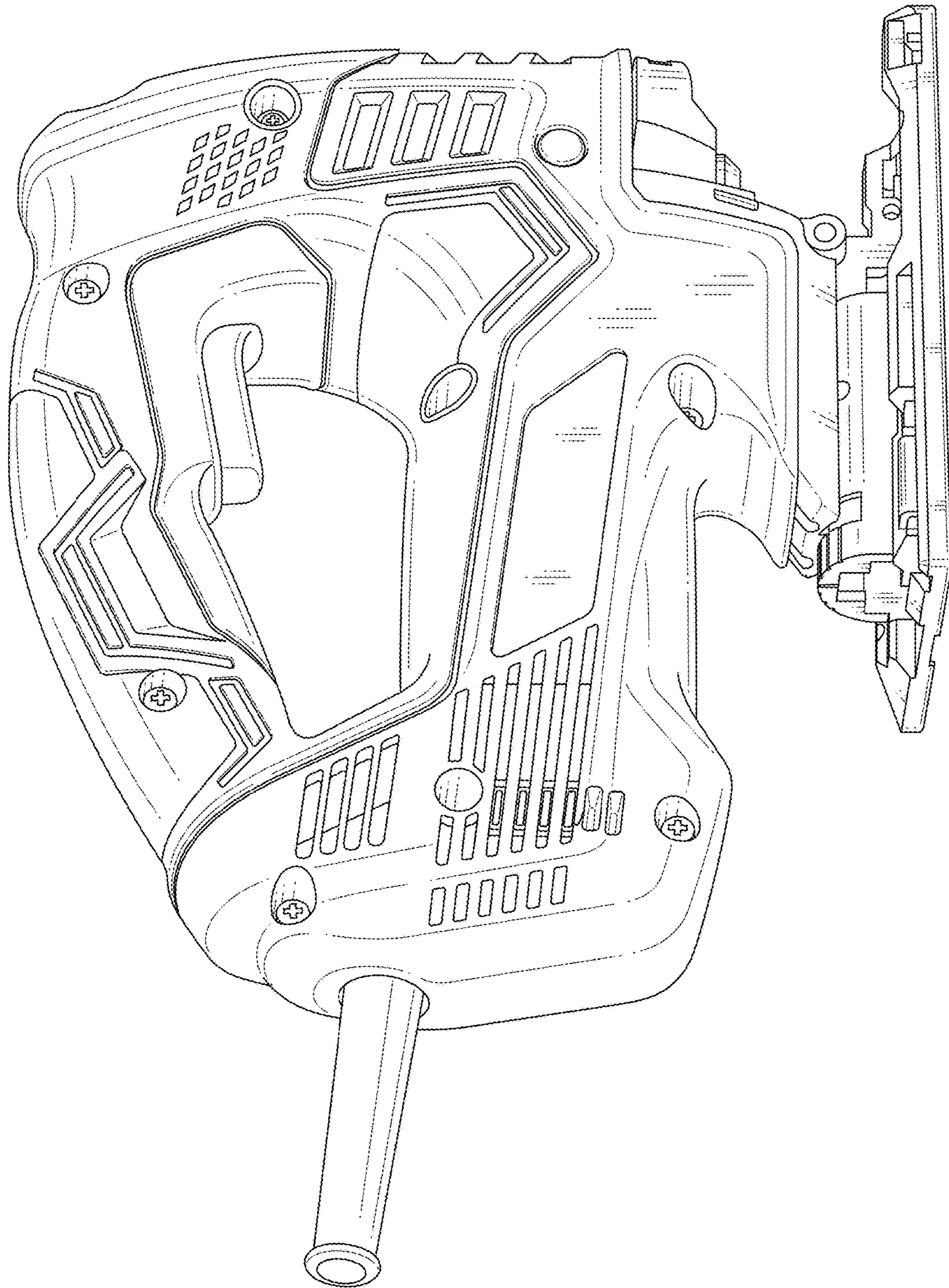


Fig. 3

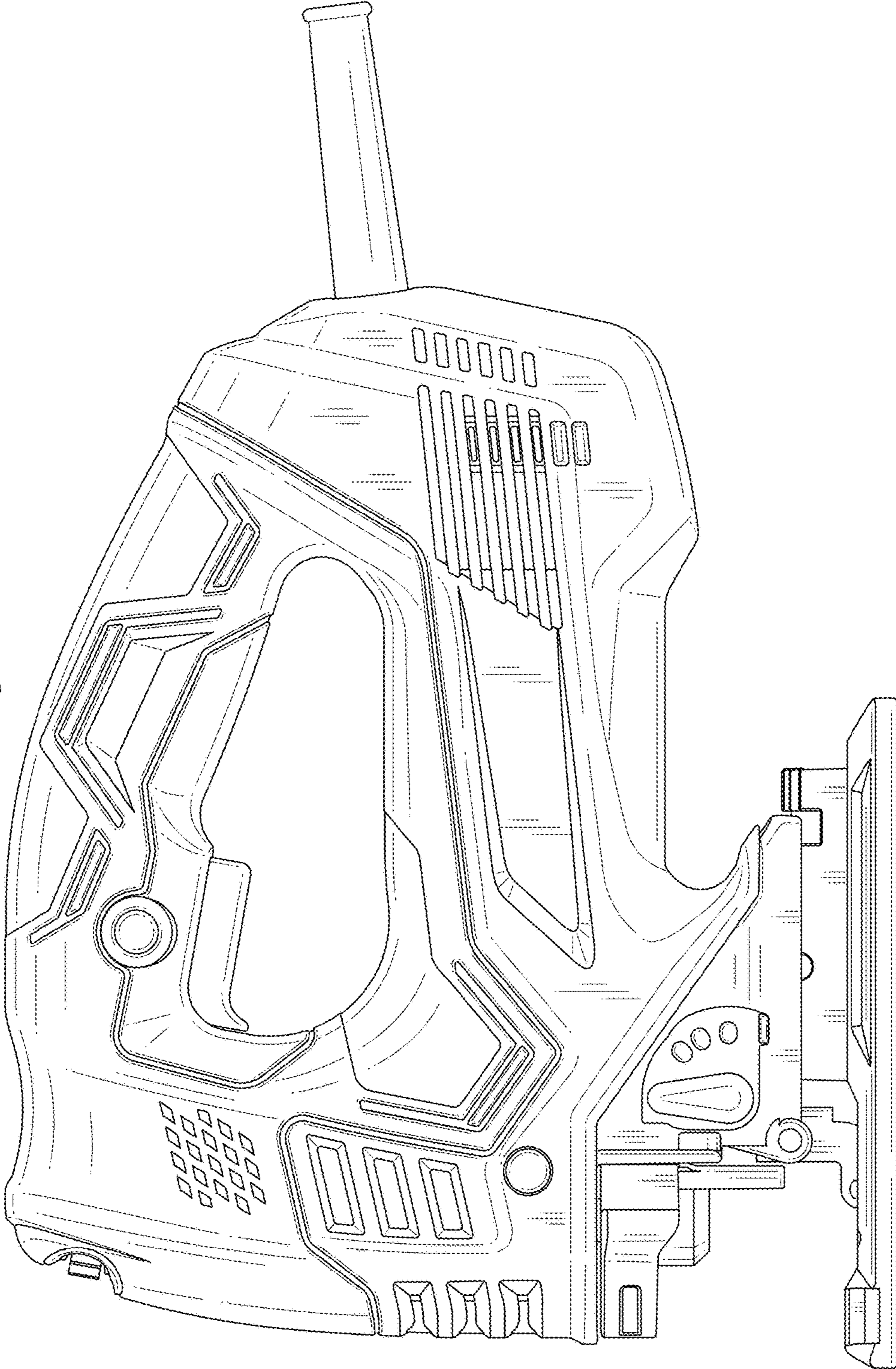


Fig. 4

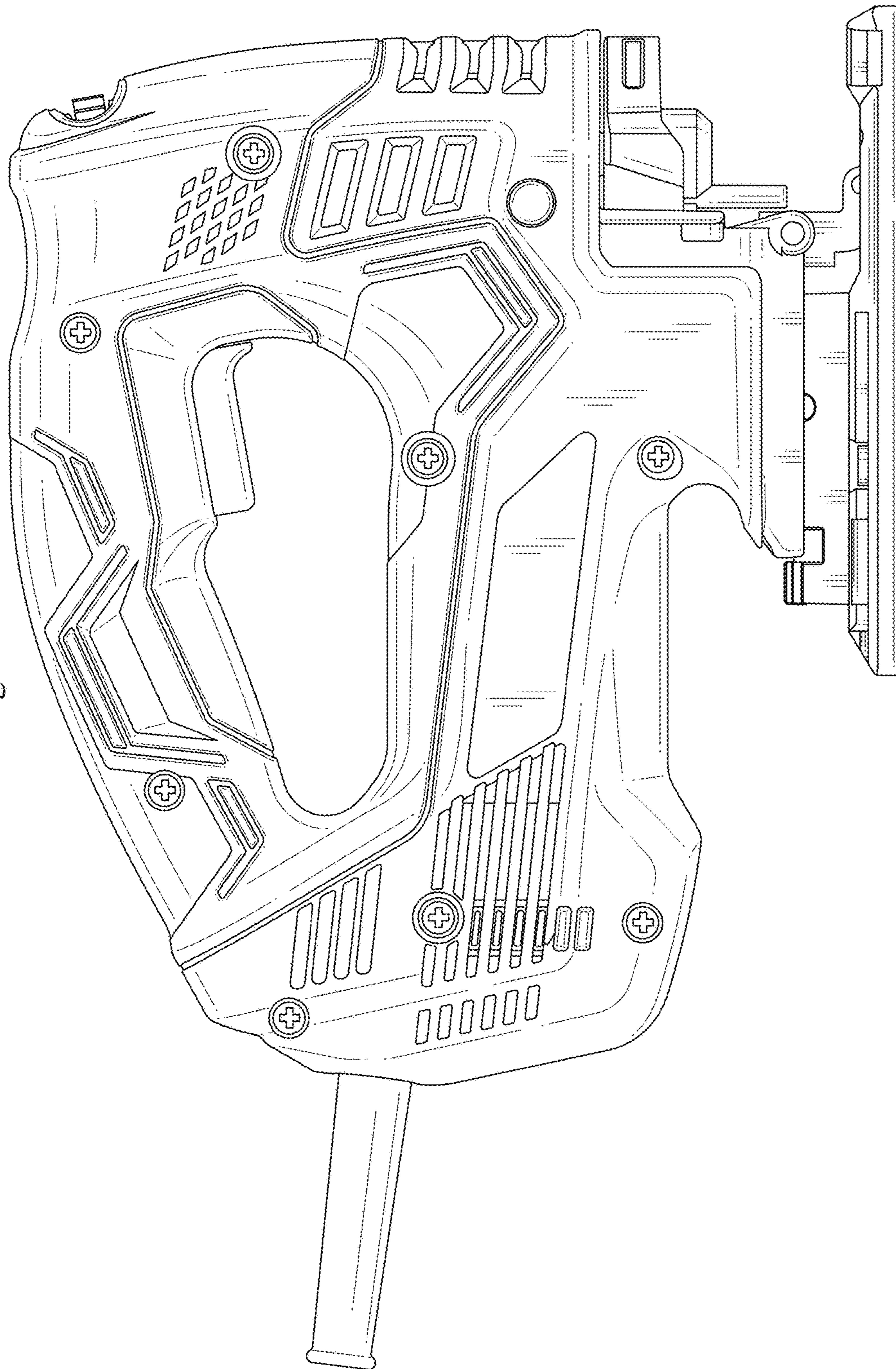


Fig. 5

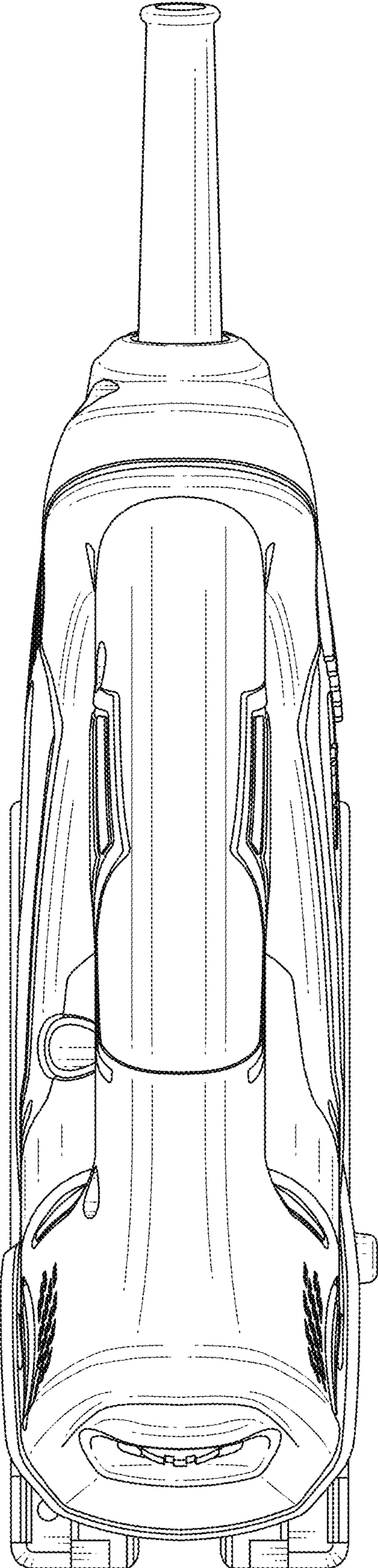
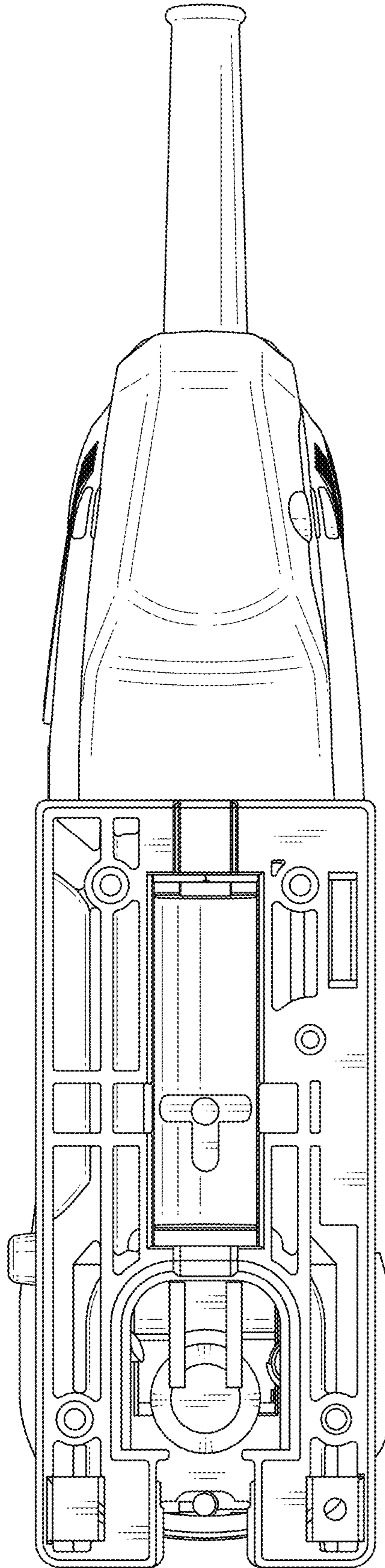


Fig. 6



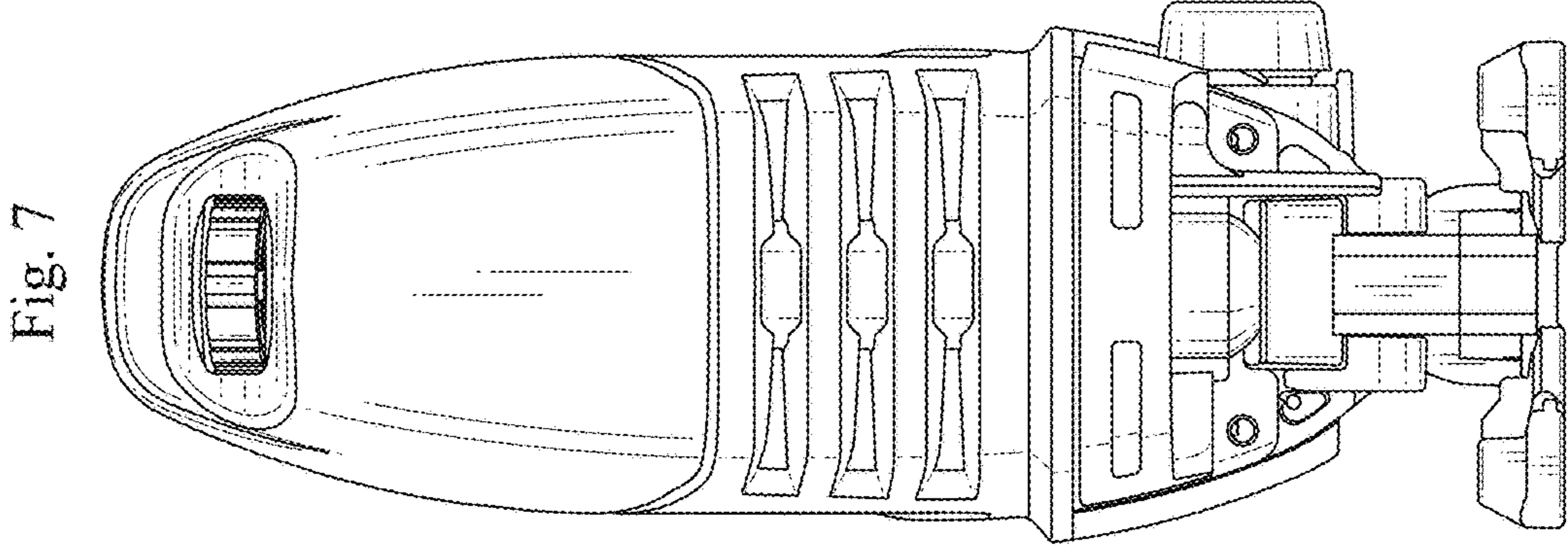




Fig. 8

