



US00D792179S

(12) **United States Design Patent**  
**Hsieh**

(10) **Patent No.:** **US D792,179 S**  
(45) **Date of Patent:** **\*\* Jul. 18, 2017**

(54) **HAND TOOL WITH BOTTLE OPENER**

(71) Applicant: **KABO TOOL COMPANY**, Taichung (TW)

(72) Inventor: **Chih-Ching Hsieh**, Taichung (TW)

(73) Assignee: **KABO TOOL COMPANY**, Taichung (TW)

(\*\*) Term: **15 Years**

(21) Appl. No.: **29/538,061**

(22) Filed: **Aug. 31, 2015**

(51) **LOC (10) Cl.** ..... **07-99**

(52) **U.S. Cl.**  
USPC ..... **D8/40; D8/33**

(58) **Field of Classification Search**  
USPC ..... D8/16, 17, 18, 33, 40, 43, 88, 307, 338;  
D26/24, 72, 73, 113

CPC .... B67B 7/14; B67B 7/16; B67B 7/44; B67B 7/18; B67B 2007/166; B67B 7/0441; B67B 7/0447; B67B 7/066; B67B 7/0405; B67B 7/0417; B67B 7/162; B67B 7/00; B67B 7/04; B67B 7/0411; B67B 7/0423; B67B 7/06; B67B 7/182; B67B 7/385; A47G 23/0241; B26B 11/00; G10K 3/00; A44C 5/0007; B25F 1/006; B25F 1/00; B25F 1/003; B25F 5/021; Y10T 29/49822; Y10T 24/44564; B25B 23/1427  
See application file for complete search history.

(56) **References Cited**

**U.S. PATENT DOCUMENTS**

D105,337 S \* 7/1937 McNaught ..... 81/124.4  
2,628,522 A \* 2/1953 Kraft ..... B25B 13/04  
81/124.3  
2,738,117 A \* 3/1956 Trindl ..... B67B 3/02  
53/363  
D238,411 S \* 1/1976 Levenson ..... 81/3.55

4,979,407 A \* 12/1990 Hernandez ..... B67B 7/44  
81/3.09  
5,865,074 A \* 2/1999 Hsieh ..... B25B 13/04  
81/124.3  
6,029,548 A \* 2/2000 Hsieh ..... B25B 13/16  
81/166  
D488,037 S \* 4/2004 Tuanmu ..... D8/25  
D488,691 S \* 4/2004 Ziems ..... D8/17  
D514,405 S \* 2/2006 Chaconas ..... D8/25  
D541,122 S \* 4/2007 Chaconas ..... B67B 7/18  
D8/40  
D637,463 S \* 5/2011 Silvers ..... D8/18  
D654,770 S \* 2/2012 Frank ..... D8/40

(Continued)

**OTHER PUBLICATIONS**

Best Gifts to Give This Father's Day 2015, posted Jun. 6, 2015, [retrieved Mar. 26, 2017]. Retrieved from Internet, <URL: http://dailymom.com/discover/best-gifts-to-give-this-fathers-day-2015/>.\*

(Continued)

*Primary Examiner* — Barbara Fox  
*Assistant Examiner* — Kristin E Reed  
(74) *Attorney, Agent, or Firm* — Guice Patents PLLC

(57) **CLAIM**

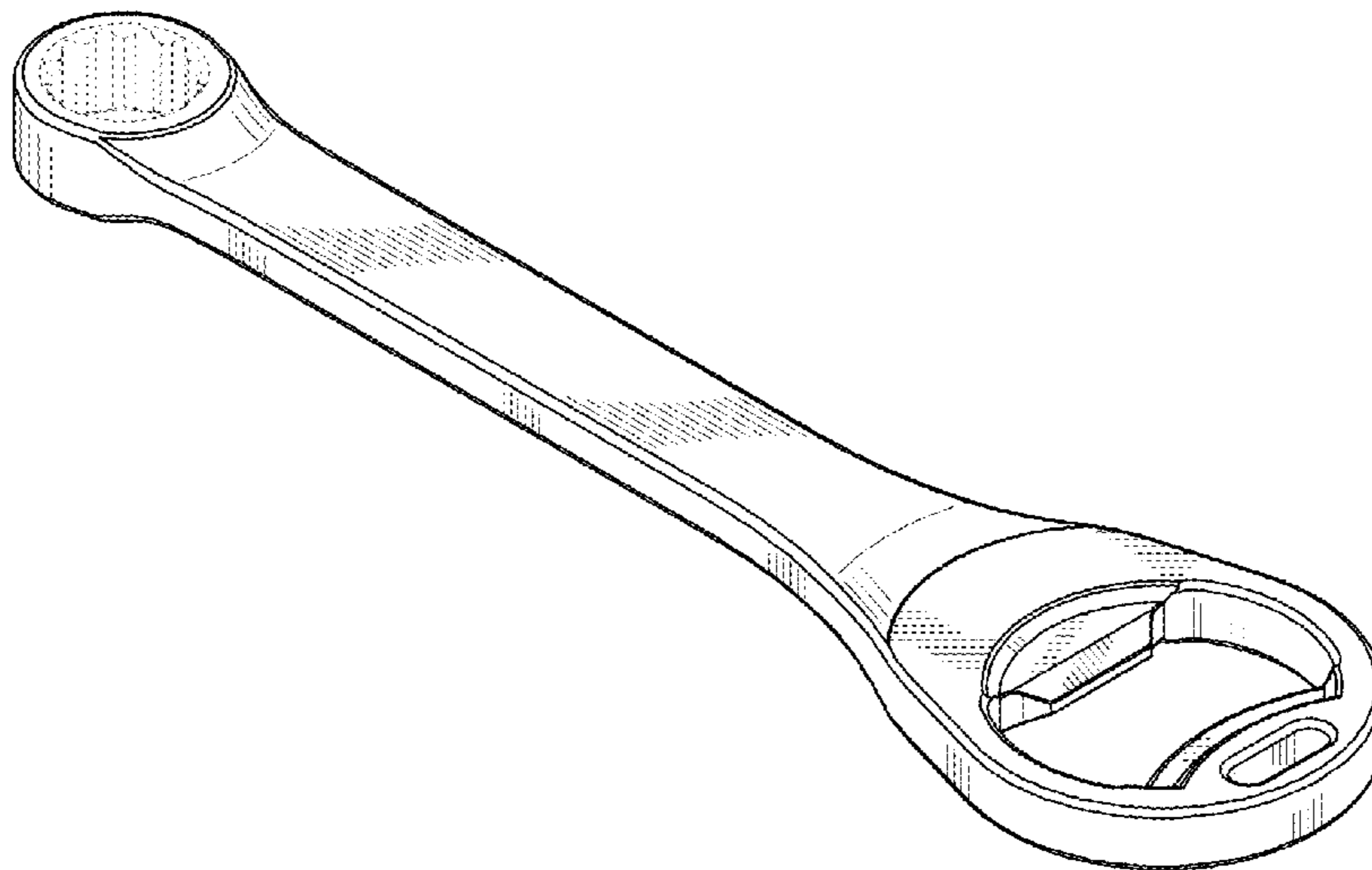
The ornamental design for a hand tool with bottle opener, as shown and described.

**DESCRIPTION**

FIG. 1 is a perspective view of a hand tool with bottle opener;  
FIG. 2 is a front view of FIG. 1;  
FIG. 3 is a left side view of FIG. 1;  
FIG. 4 is a right side view of FIG. 1; and,  
FIG. 5 is a top view of FIG. 1.

The broken lines shown in the drawings are included for the purpose of illustrating portions of the hand tool with bottle opener and form no part of the claimed design.

**1 Claim, 4 Drawing Sheets**



(56)

**References Cited**

U.S. PATENT DOCUMENTS

D702,520 S \* 4/2014 Hebert ..... D8/38  
2005/0252343 A1 \* 11/2005 Turner ..... B67B 7/16  
81/3.09

OTHER PUBLICATIONS

Home Tool Catalog Product: BOTTLEWRENCH, posted unknown,  
[retrieved Mar. 26, 2017]. Retrieved from Internet, <URL: <https://www.matcotools.com/catalog/product/BOTTLEWRENCH/WRENCH-BOTTLE-OPENER/> >.\*

Promo #3 2017, posted Jan. 28, 2017, [retrieved Mar. 26, 2017].  
Retrieved from Internet, <URL: [https://issuu.com/matcomark/docs/pr0317red\\_12\\_16\\_20](https://issuu.com/matcomark/docs/pr0317red_12_16_20) >.\*

\* cited by examiner

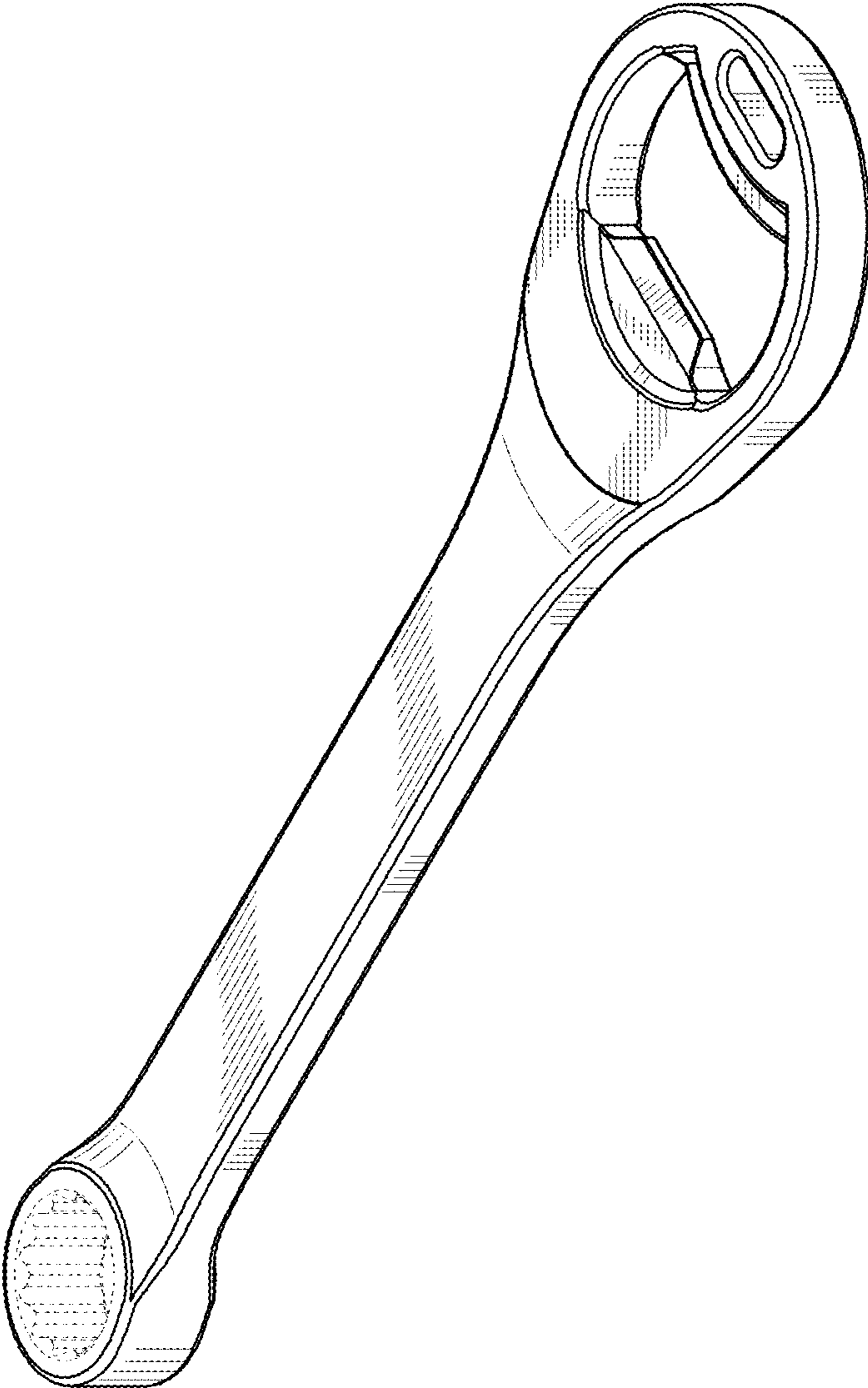


Fig. 1

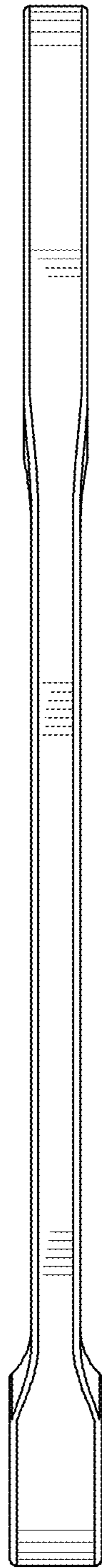


Fig. 2

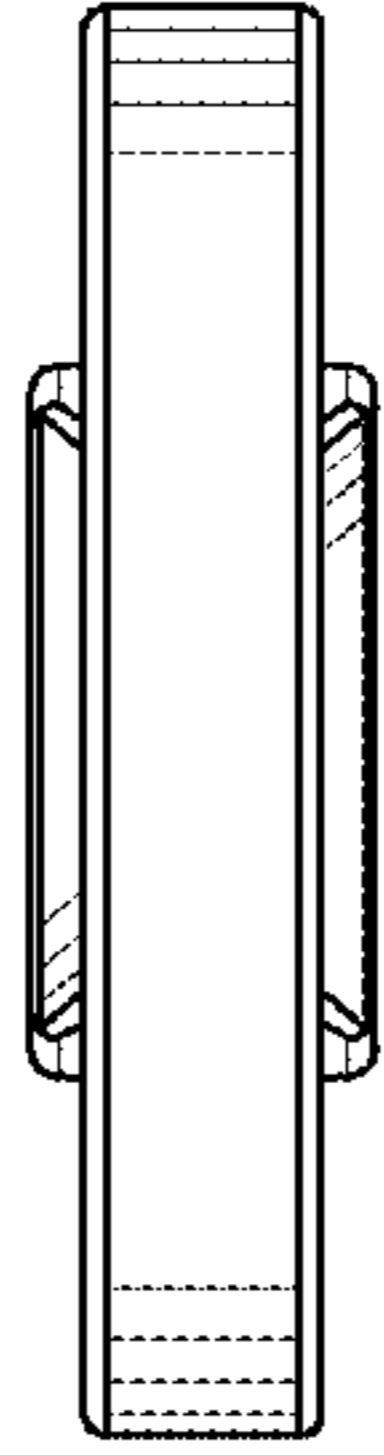


Fig. 4

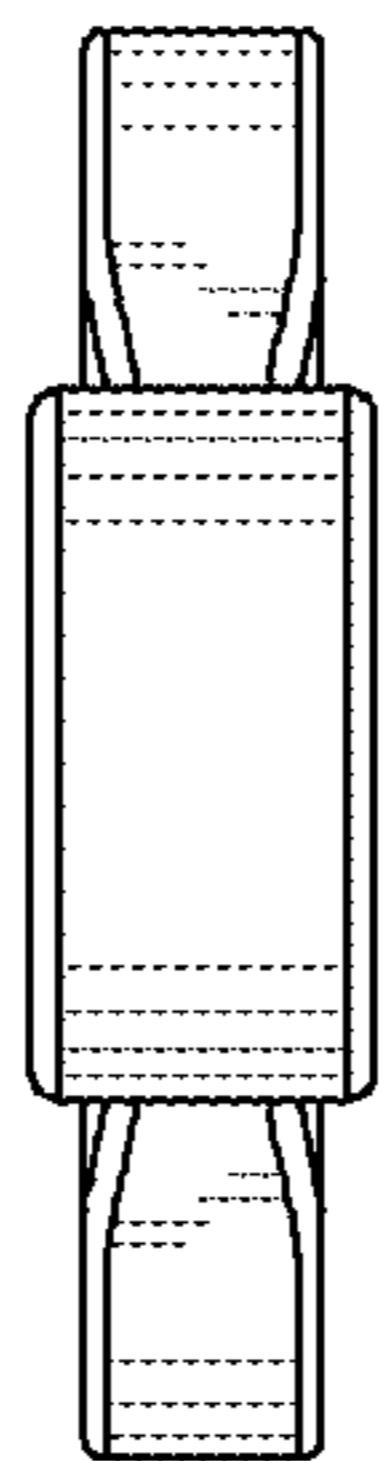


Fig. 3

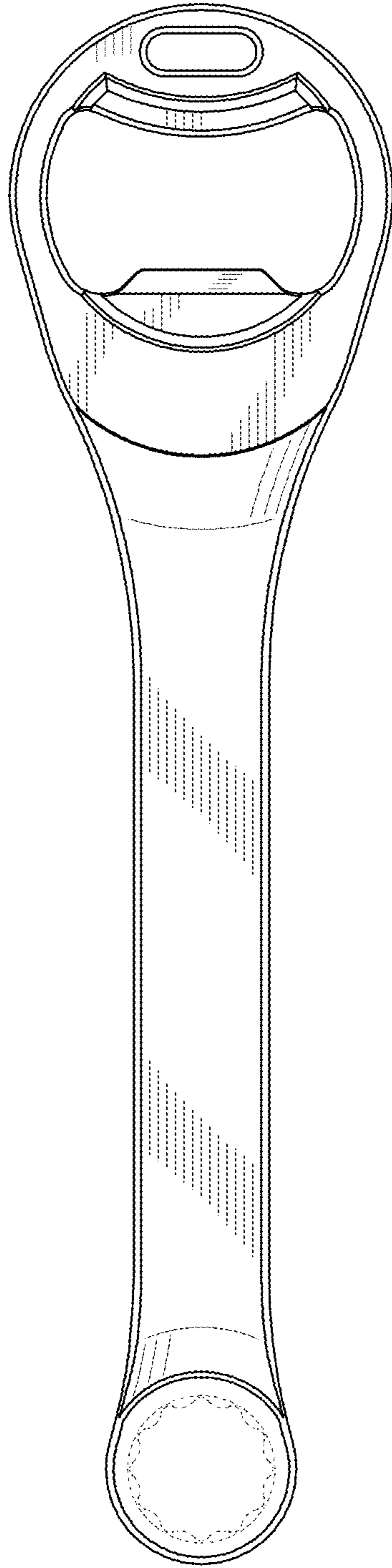


Fig. 5