



US00D792178S

(12) **United States Design Patent**
Lee et al.

(10) **Patent No.:** **US D792,178 S**
(45) **Date of Patent:** **** Jul. 18, 2017**

- (54) **SOCKET**
- (71) Applicants: **An Kun Lee**, Taichung (TW); **Shu Tuan Yang**, Taichung (TW); **Chiu Ken Lai**, Taichung (TW)
- (72) Inventors: **An Kun Lee**, Taichung (TW); **Shu Tuan Yang**, Taichung (TW); **Chiu Ken Lai**, Taichung (TW)

D640,298 S *	6/2011	Launius, Jr.	D15/130
D649,417 S *	11/2011	Gresham	D8/29
8,359,953 B2 *	1/2013	Lin	B25B 13/06
			81/121.1
8,544,367 B2 *	10/2013	Buchanan	B25B 13/04
			81/124.5
9,038,506 B1 *	5/2015	Huang	B25B 13/462
			81/60
D749,388 S *	2/2016	Lee	D8/29
D755,028 S *	5/2016	Yu	D8/29

- (**) Term: **15 Years**
- (21) Appl. No.: **29/550,798**

* cited by examiner

Primary Examiner — Randall Gholson
(74) *Attorney, Agent, or Firm* — Alan D. Kamrath;
Kamrath IP Lawfirm, P.A.

- (22) Filed: **Jan. 7, 2016**
- (51) **LOC (10) Cl.** **08-05**
- (52) **U.S. Cl.**
USPC **D8/29**
- (58) **Field of Classification Search**
USPC D8/29; 81/60, 177.1, 177.85, 121.1,
81/124.3, 165-170, 110.1, 176.2, 124.6,
81/176.1, 176.15, 177.2; 16/110.1
CPC B25B 13/06
See application file for complete search history.

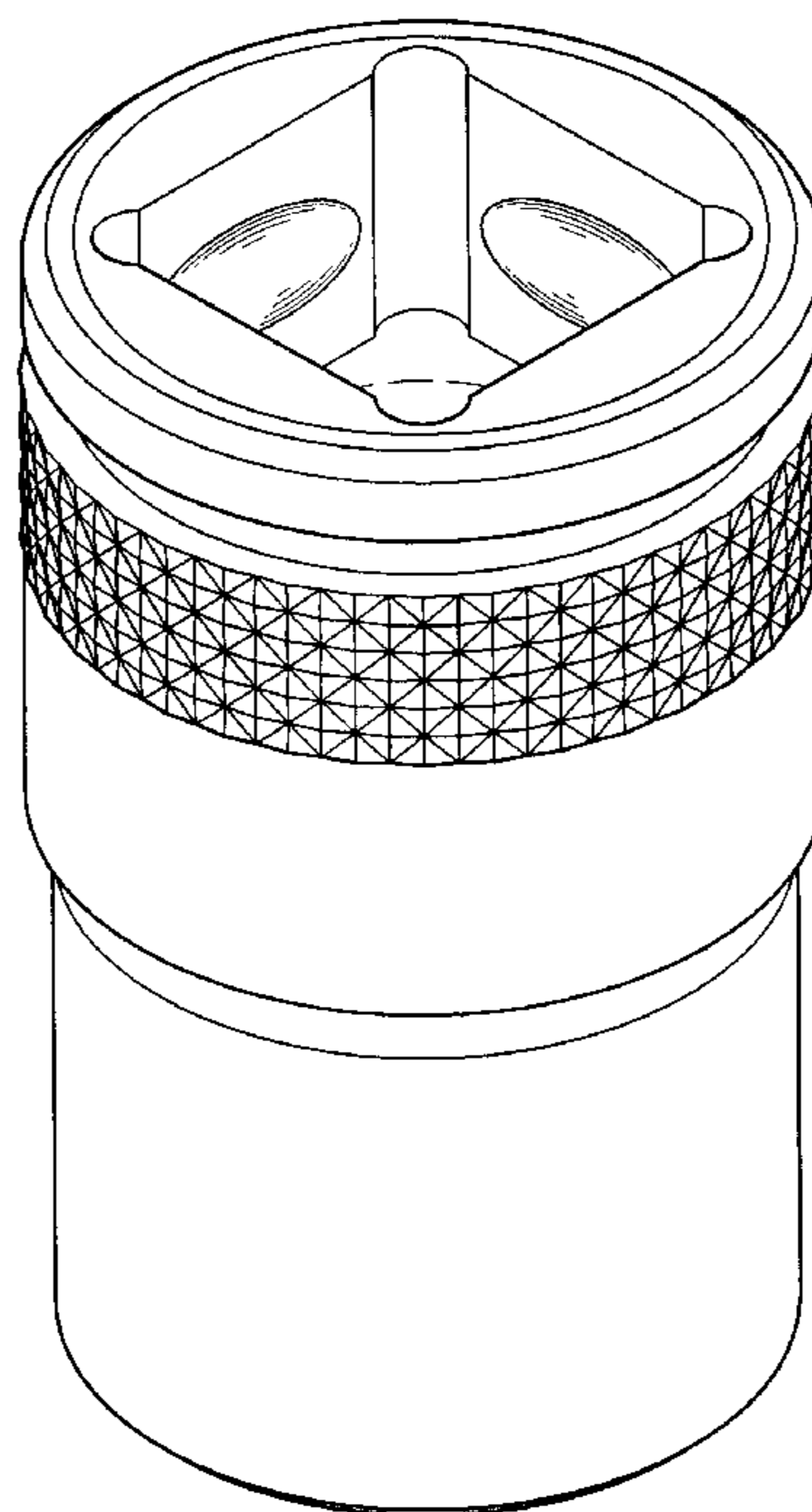
(57) **CLAIM**
The ornamental design for a socket, as shown and described.

- (56) **References Cited**
U.S. PATENT DOCUMENTS
D520,311 S * 5/2006 Saunders D8/29
D542,106 S * 5/2007 Alsobrook D8/29
D605,010 S * 12/2009 Hsieh D8/29
7,707,916 B2 * 5/2010 Pirseyedi B25B 13/44
279/64
7,726,919 B1 * 6/2010 Rottler B23B 31/08
279/16

DESCRIPTION

FIG. 1 is a front-right-top perspective view of a socket showing my new design;
FIG. 2 is a front elevational view thereof (the rear elevational view is a mirror image of the front elevational view, the right side elevational view is a mirror image of the front elevational view, and the left side elevational view is a mirror image of the front elevational view);
FIG. 3 is a top plan view thereof; and,
FIG. 4 is a bottom plan view thereof.
The broken lines in the drawings depict environmental subject matter only and form no part of the claimed design.

1 Claim, 2 Drawing Sheets



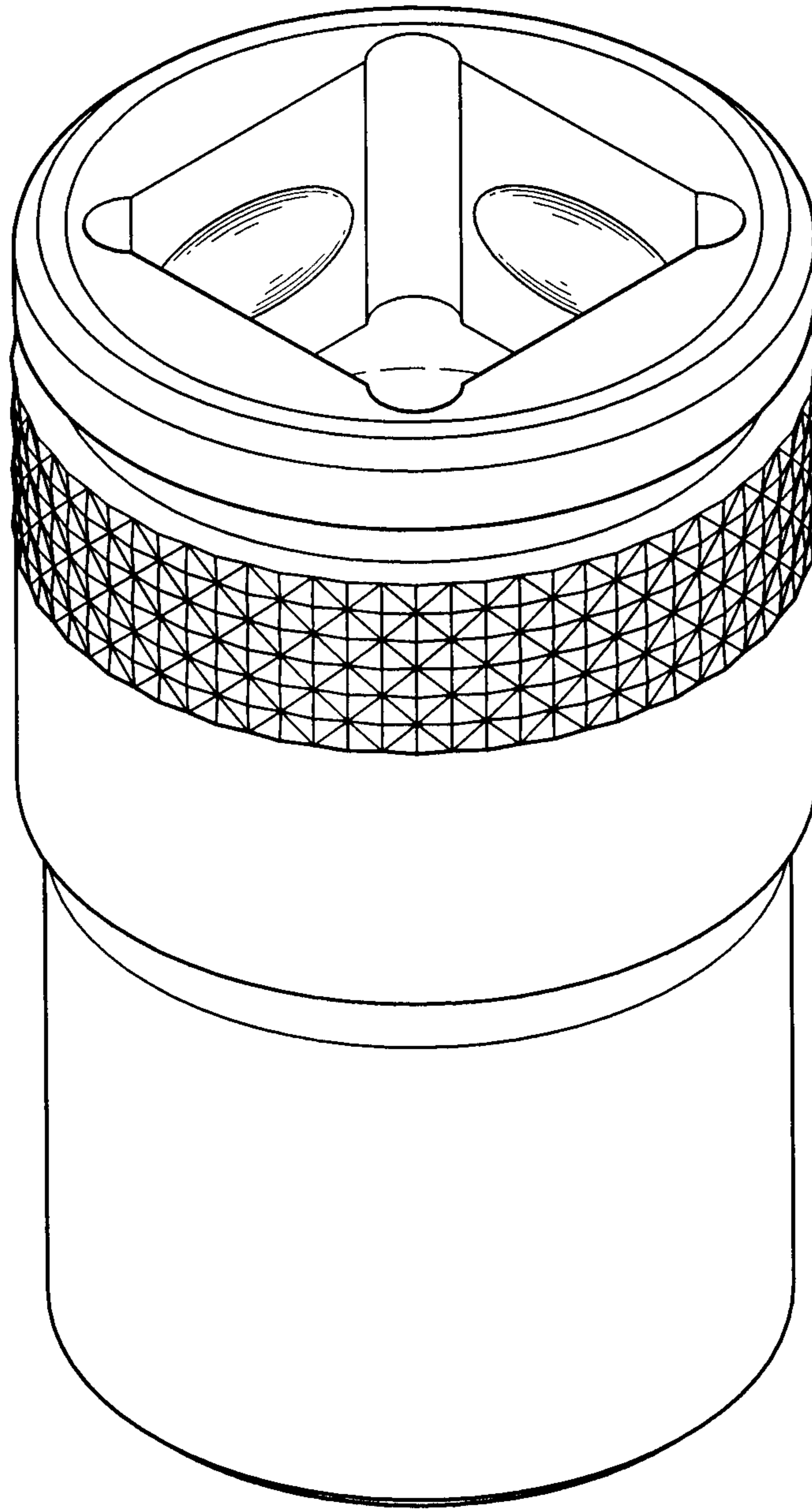


FIG.1

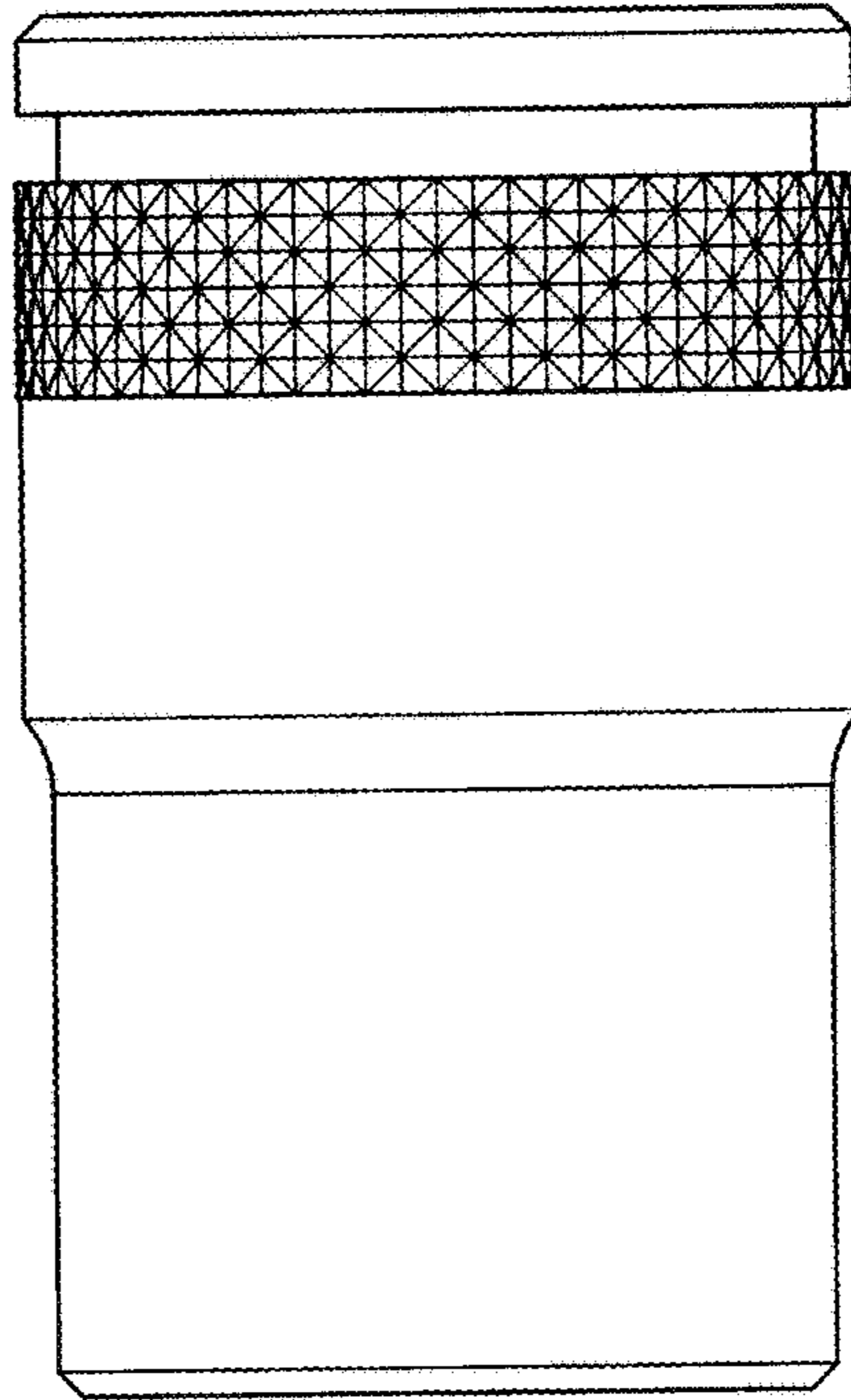


FIG. 2

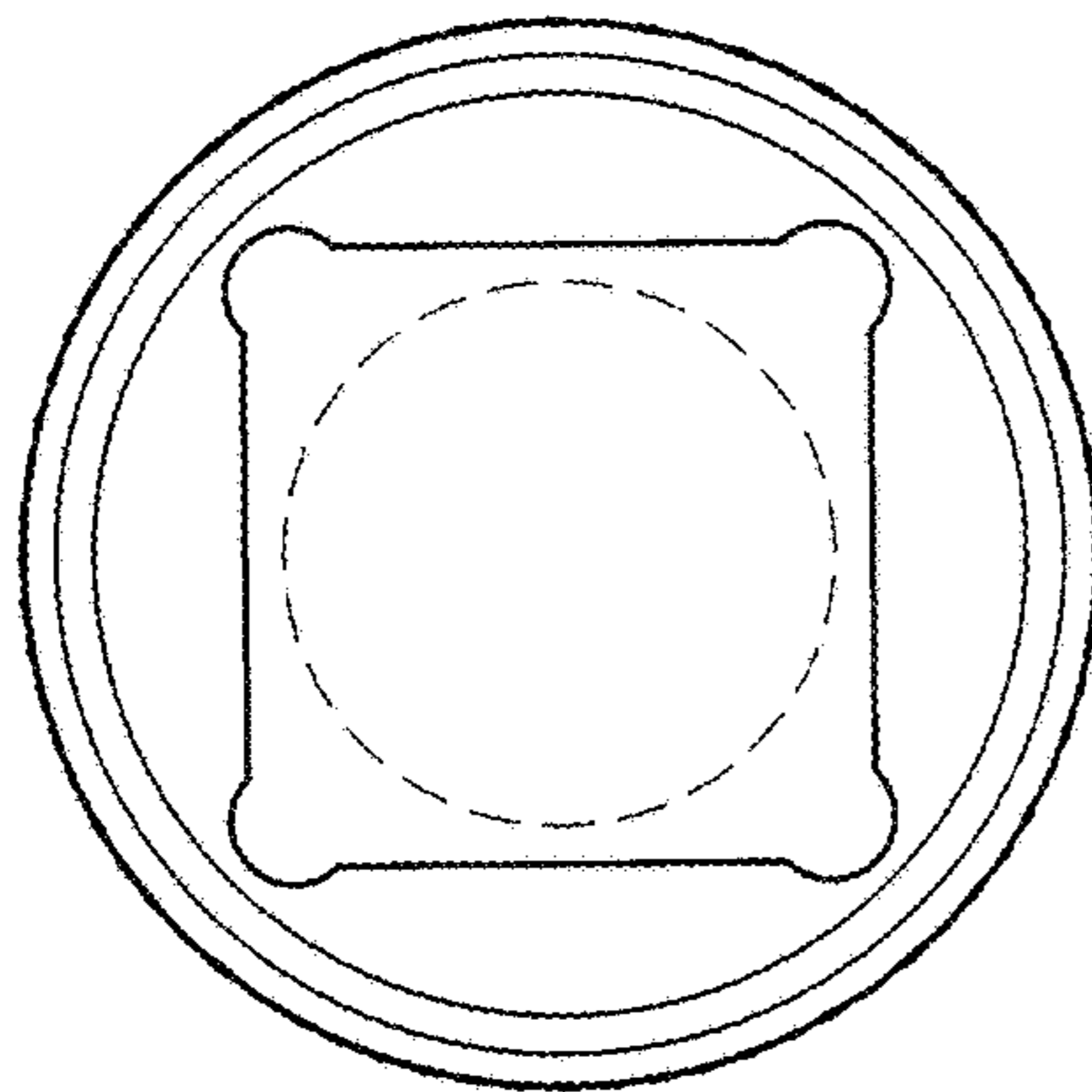


FIG. 3

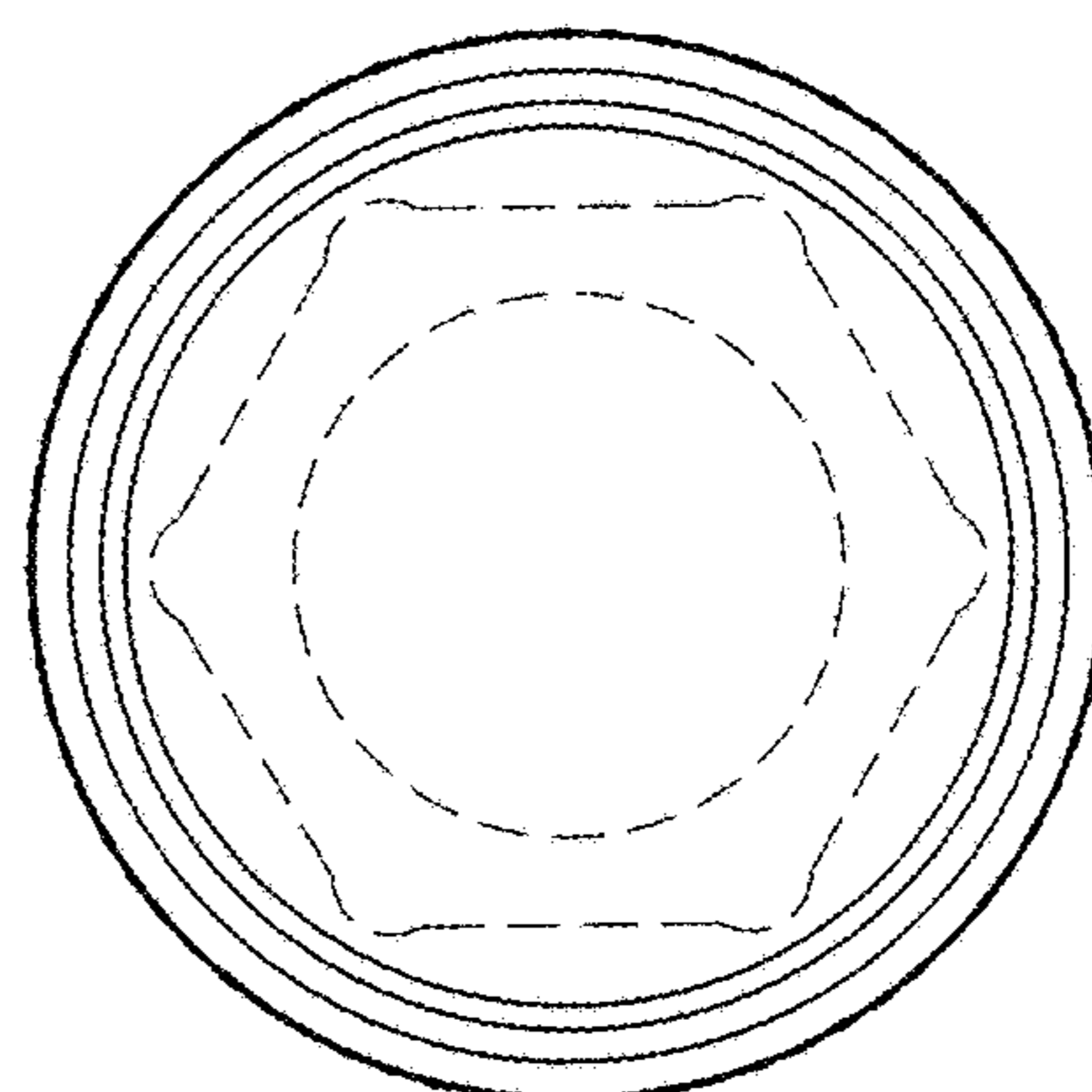


FIG. 4