



US00D792174S

(12) **United States Design Patent**
Galik

(10) **Patent No.:** **US D792,174 S**

(45) **Date of Patent:** **** Jul. 18, 2017**

- (54) **BURGER PREPARATION UTENSIL**
- (71) Applicant: **Harvey Galik**, Richmond, TX (US)
- (72) Inventor: **Harvey Galik**, Richmond, TX (US)
- (**) Term: **14 Years**
- (21) Appl. No.: **29/520,338**
- (22) Filed: **Mar. 13, 2015**
- (51) **LOC (10) Cl.** **07-06**
- (52) **U.S. Cl.**
USPC **D7/686; D7/674**
- (58) **Field of Classification Search**
USPC D7/672, 673-676, 686-688; D15/90;
99/426
CPC A47J 43/20; A47J 43/282; A47J 43/283;
A47J 43/288; A22C 7/00; A22C 7/0076;
A22C 7/0023; A22C 7/0046
See application file for complete search history.

- 4,345,516 A * 8/1982 Sinclair A47J 43/288
249/115
- 5,230,156 A * 7/1993 Patenaude A47J 43/20
30/123.3
- D370,393 S * 6/1996 Kosa, II D7/674
- 5,590,590 A * 1/1997 Zammit A47J 43/286
100/110
- D394,192 S * 5/1998 Deglon D7/688
- 6,457,238 B1 * 10/2002 Maier A47G 21/08
294/50.8
- D497,782 S * 11/2004 Thiede D7/686
- D510,239 S * 10/2005 Bertulis D7/686
- 6,997,695 B2 * 2/2006 Horng A47J 43/282
425/221
- D530,991 S * 10/2006 West D7/674
- D535,164 S * 1/2007 St. Germain D7/674
- D546,139 S * 7/2007 Michaux D7/672
- D717,130 S * 11/2014 Zemel D7/686

(Continued)

Primary Examiner — Marianne Pandozzi

Assistant Examiner — Brett Miller

(74) *Attorney, Agent, or Firm* — Karen B. Tripp

(56) **References Cited**

U.S. PATENT DOCUMENTS

- 850,983 A * 4/1907 Valiquette A47J 45/10
D7/688
- 1,076,383 A * 10/1913 Mendez A47J 37/0694
99/426
- D45,533 S * 3/1914 Johnson D7/686
- 1,237,826 A * 8/1917 Satterquist A47J 43/283
269/90
- 1,728,211 A * 9/1929 McClellan A47J 43/283
294/32
- 2,733,508 A * 2/1956 Carter A61C 9/00
D7/672
- 3,283,730 A * 11/1966 Mohler A47J 43/282
249/170
- D206,606 S * 1/1967 Brown D7/674
- D227,533 S * 7/1973 Christell 99/426
- 3,761,120 A * 9/1973 Binkert A47J 43/283
294/8

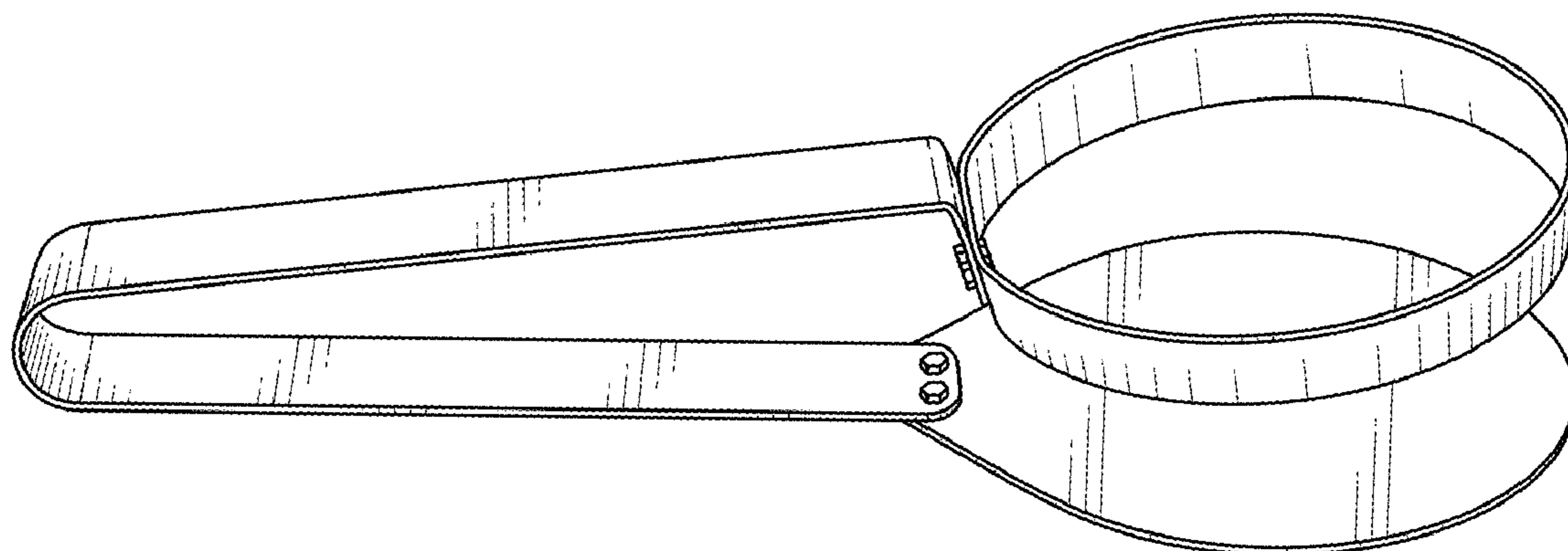
(57) **CLAIM**

The ornamental design for a burger preparation utensil, as shown and described.

DESCRIPTION

FIG. 1 is a perspective view of the top side of a burger preparation utensil, shown in the closed position.
 FIG. 2 is a perspective view of the utensil of FIG. 1 shown in the open position.
 FIG. 3 is a side view of the utensil of FIG. 1.
 FIG. 4 is the opposing side view of the utensil of FIG. 3.
 FIG. 5 is an end view of the utensil of FIG. 1, from the handle end.
 FIG. 6 is the opposing end view of the utensil of FIG. 5.
 FIG. 7 is a topside view of the utensil of FIG. 1; and,
 FIG. 8 is a bottom side view of the utensil of FIG. 1.

1 Claim, 2 Drawing Sheets



(56)

References Cited

U.S. PATENT DOCUMENTS

2006/0006581 A1* 1/2006 St. Germain A22C 7/0076
264/319
2008/0156199 A1* 7/2008 Ekberg A47J 43/283
99/380

* cited by examiner

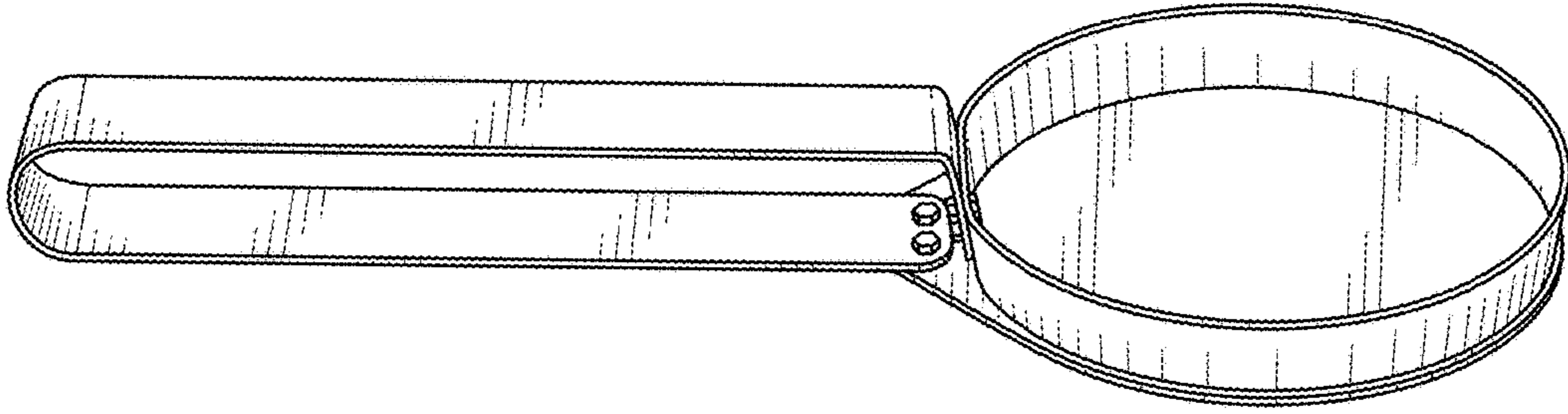


FIG. 1

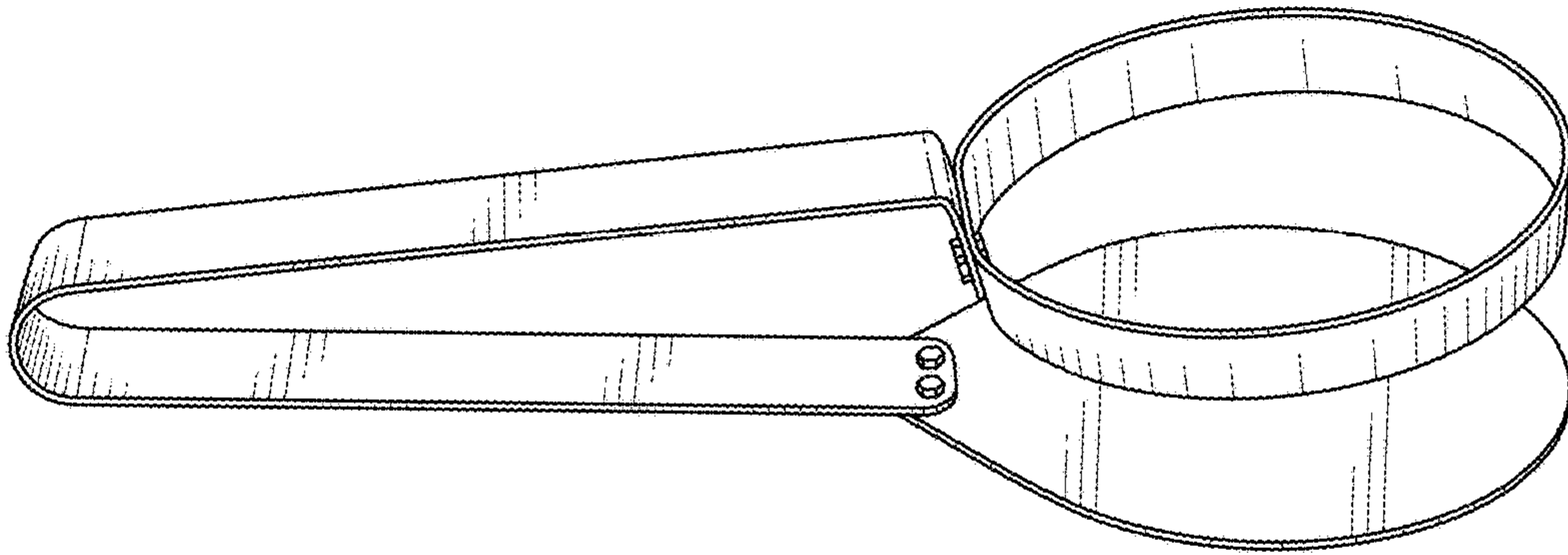


FIG. 2



FIG. 3

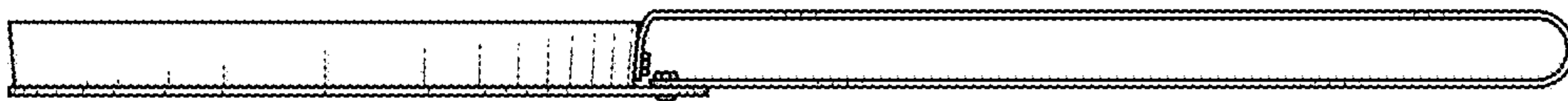


FIG. 4



FIG. 5



FIG. 6

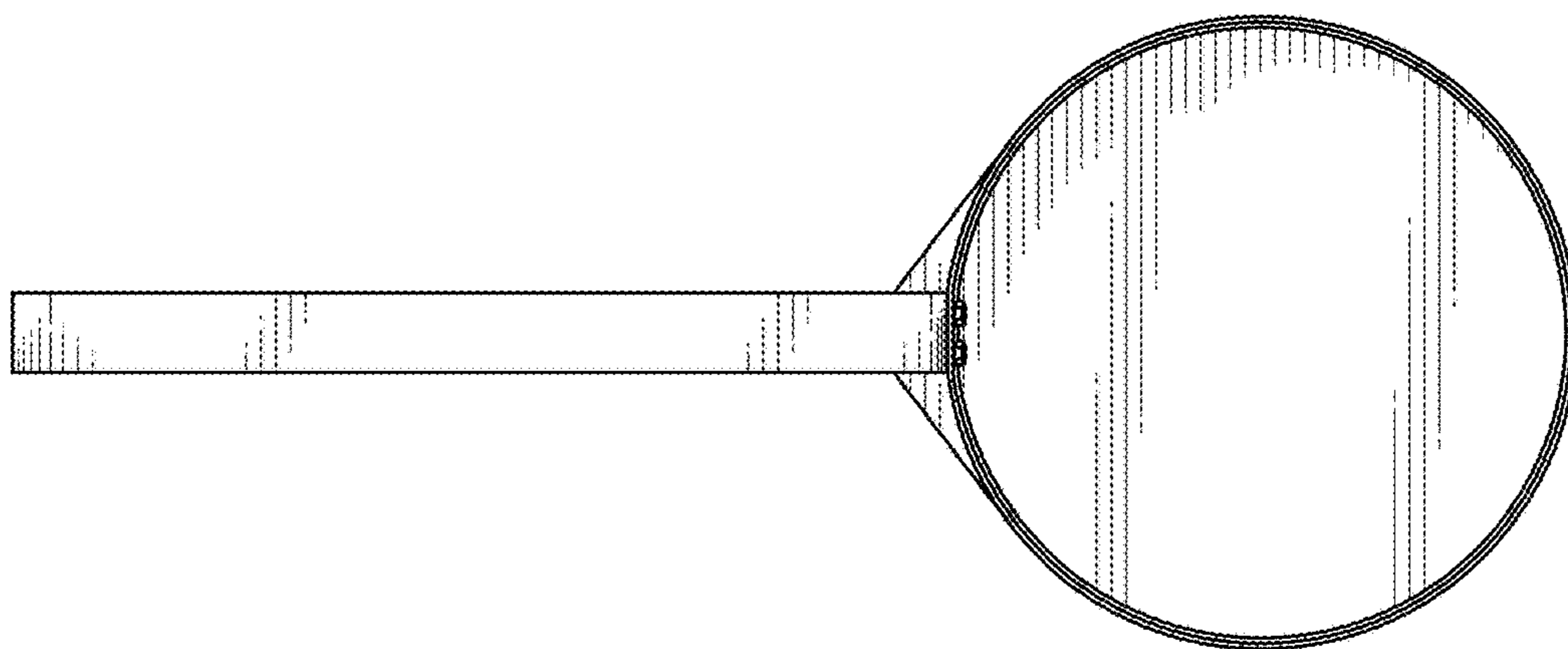


FIG. 7

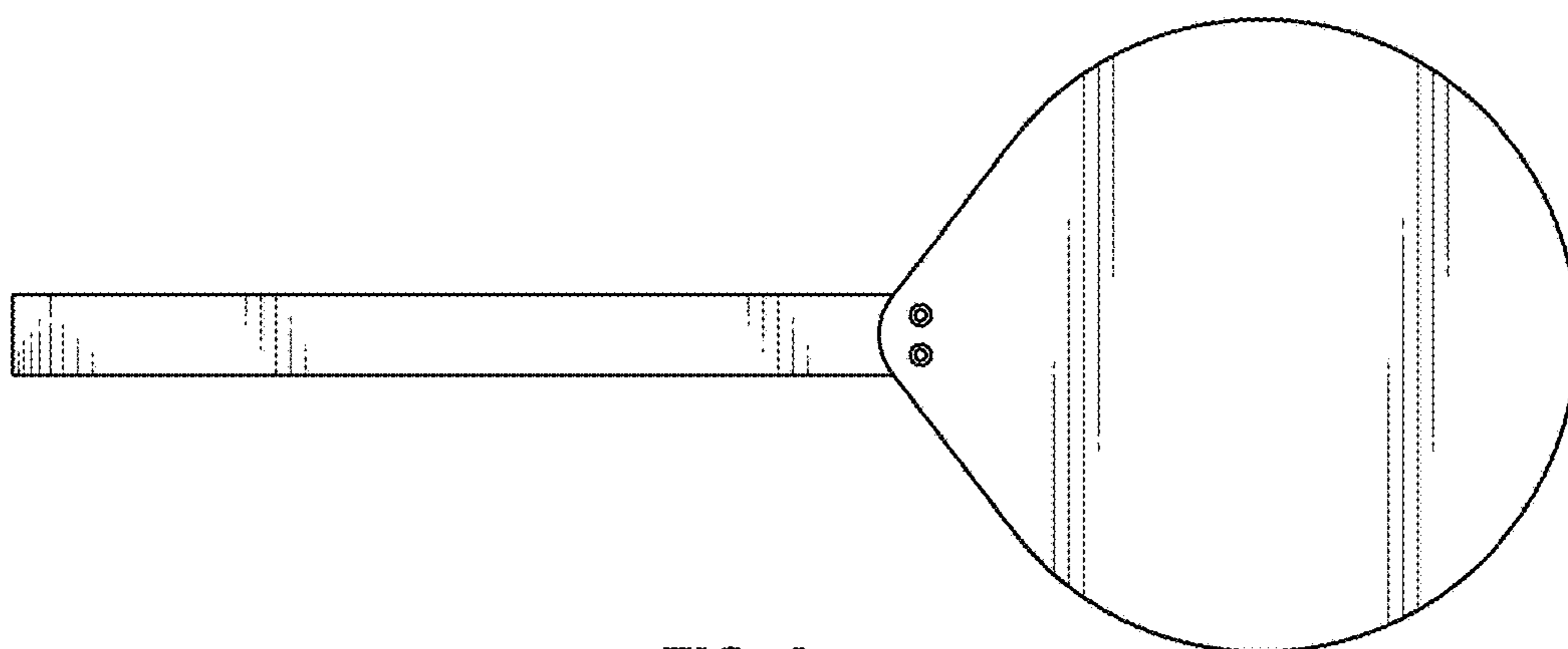


FIG. 8