



US00D792170S

(12) **United States Design Patent**  
**Baker**

(10) **Patent No.:** **US D792,170 S**  
(45) **Date of Patent:** **\*\* Jul. 18, 2017**

(54) **LUNCH CONTAINER**

(71) Applicant: **Jason Baker**, South Jordan, UT (US)

(72) Inventor: **Jason Baker**, South Jordan, UT (US)

(\*\*) Term: **15 Years**

(21) Appl. No.: **29/585,014**

(22) Filed: **Nov. 18, 2016**

**Related U.S. Application Data**

(62) Division of application No. 29/528,162, filed on May 26, 2015, now Pat. No. Des. 779,287.

(51) **LOC (10) Cl.** ..... **07-01**

(52) **U.S. Cl.**  
USPC ..... **D7/629**

(58) **Field of Classification Search**  
USPC ..... D7/629, 550.1, 551.1, 552.1, 552.2,  
D7/553.1, 553.2, 553.3, 553.4, 553.5,  
D7/553.7, 554.2, 555, 556, 601, 602, 603,  
D7/604, 605, 606, 612, 613, 701, 705,  
D7/706, 708, 323, 324, 326, 331, 332,  
D7/337, 339, 340, 341, 346, 347, 350.1,  
D7/350.3, 352, 354, 355, 356, 357, 360,  
D7/362, 363, 364, 365, 366, 367, 672,  
D7/630, 538-542, 584, 586, 587, 392.1,  
D7/709, 609, 619.1, 622; D3/273, 201,  
D3/206, 276, 283, 284, 302, 304-315;  
D9/500, 501, 414, 424-432; D6/512,  
D6/513, 524-525, 552, 567; D32/37  
CPC ..... A47J 36/24; A47J 36/26; A47J 36/2405;  
A47J 36/00; A47J 36/12; A47J 39/00;  
A47J 39/02; A47J 27/004; A47J 27/18;  
A47J 27/14; A47J 27/06; F24C 7/006;  
B65D 7/00; B65D 7/02; B65D 7/12;  
B65D 7/42; B65D 11/00; B65D 11/02;  
B65D 15/00; B65D 15/02; B65D 15/22;  
B65D 15/24; B65D 15/10; B65D 15/14;  
B65D 21/00; B65D 21/02; B65D 21/08;

B65D 21/0209; B65D 21/0233; B65D  
21/0234; B65D 2543/00; B65D  
2543/00277; B65D 2543/00324; B65D  
2543/00444; B65D 2588/00; B65D  
2588/02; B65D 2588/16; B65D 2588/74;  
B65D 43/162; B65D 81/02; B65D  
81/3813

See application file for complete search history.

(56) **References Cited**

U.S. PATENT DOCUMENTS

D9,110 S \* 2/1876 Chandler ..... D9/432  
2,138,560 A \* 11/1938 Stuart ..... A21B 1/50  
126/337 R

(Continued)

*Primary Examiner* — Lakiya Rogers

*Assistant Examiner* — Shannon Morgan

(74) *Attorney, Agent, or Firm* — Jarod R. Marrott; Kirton  
McConkie, PC

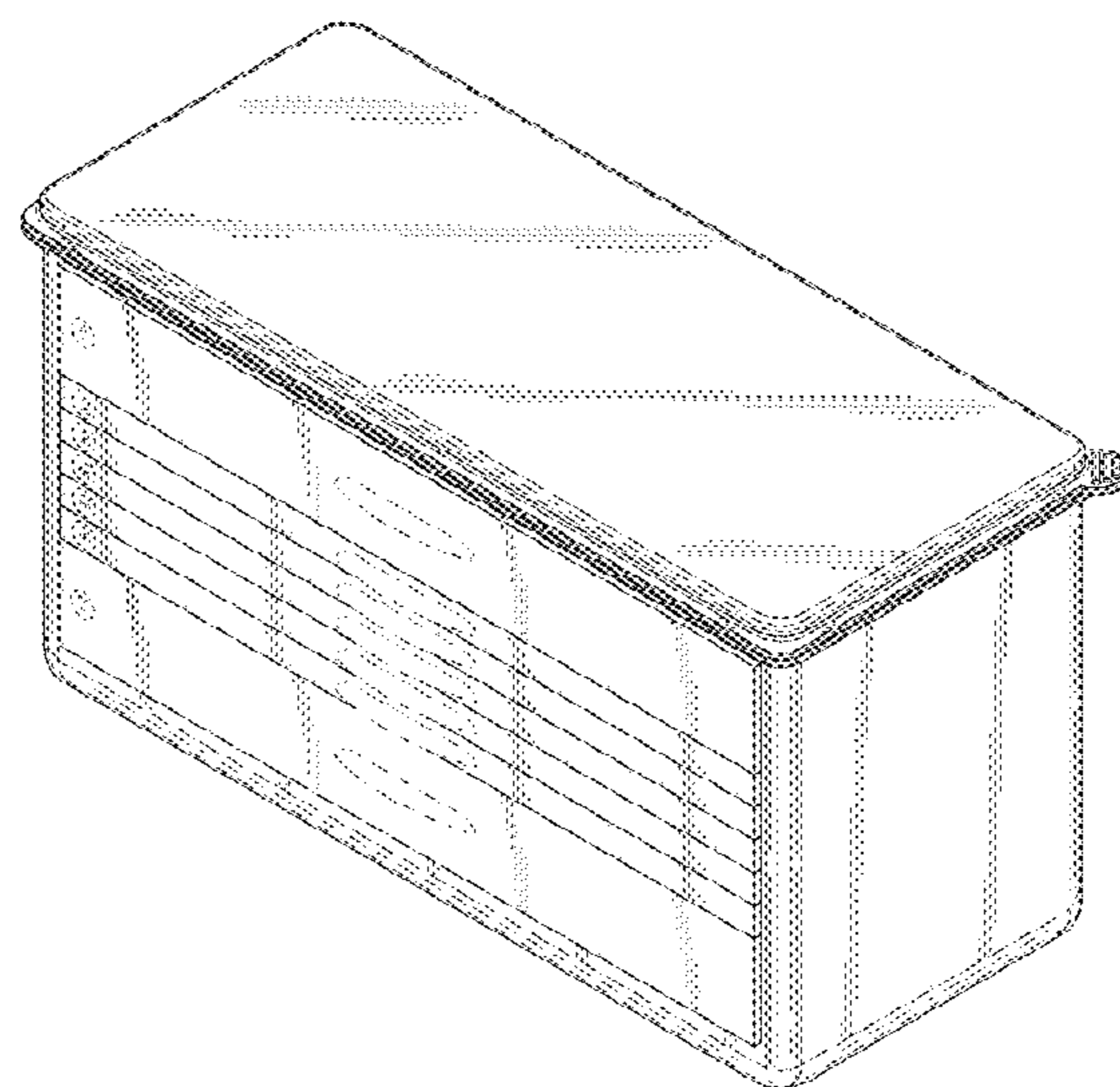
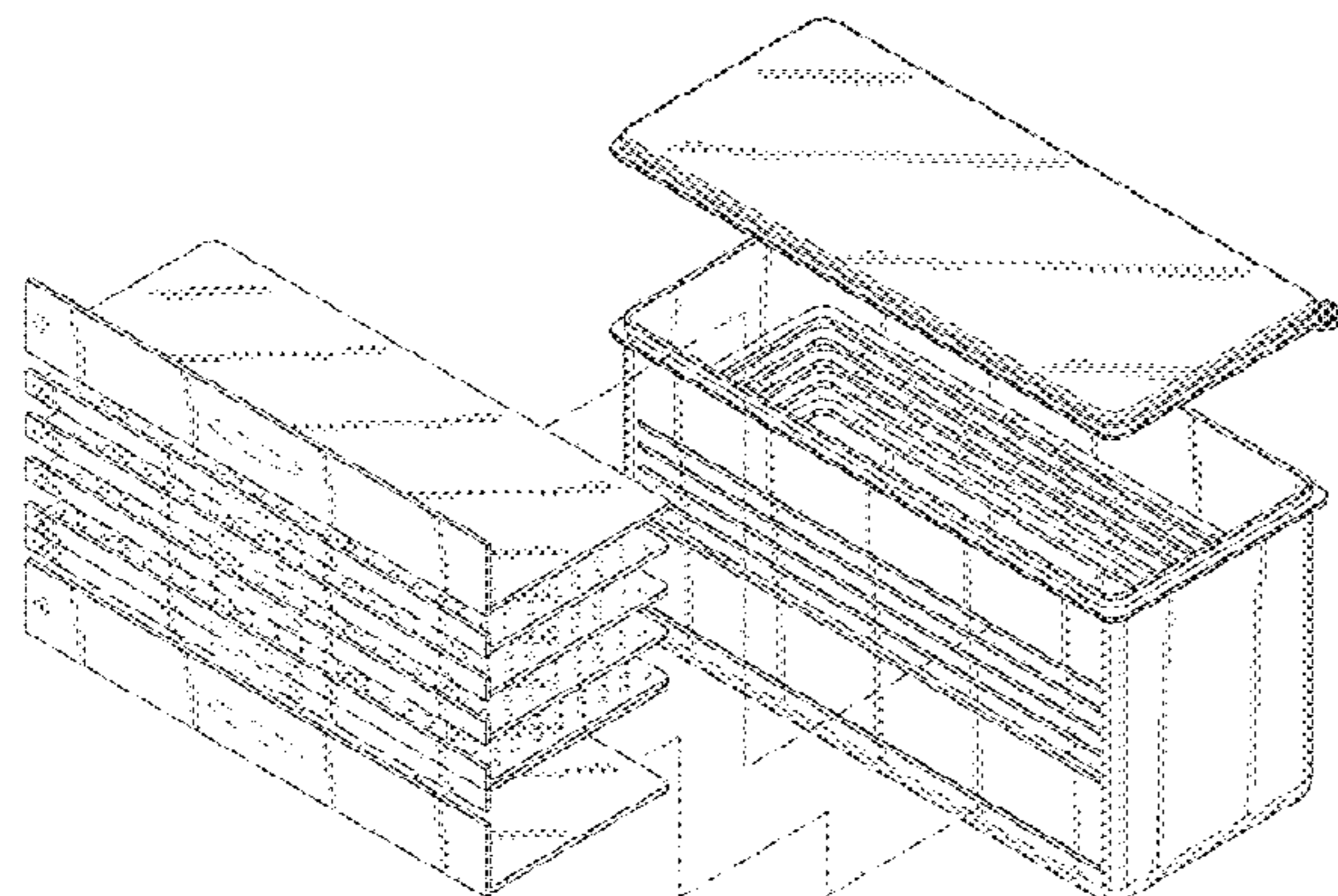
(57) **CLAIM**

The ornamental design for a lunch container, as shown and described.

**DESCRIPTION**

FIG. 1 is an exploded perspective view of a lunch container showing the new design; FIG. 2 is another perspective view thereof; FIG. 3 is a front elevational view thereof; FIG. 4 is a rear side elevational view thereof; FIG. 5 is a left side elevational view thereof; FIG. 6 is a right side elevational view thereof; FIG. 7 is a top plan view thereof; and, FIG. 8 is a bottom plan view of the lid of the lunch container shown with the base removed for ease of illustration. The broken lines shown in the figures represent portions of the lunch container that form no part of the claimed design.

**1 Claim, 7 Drawing Sheets**



(56)

References Cited

U.S. PATENT DOCUMENTS

2,606,708 A \* 8/1952 Irvan ..... B65D 43/0222  
206/45.2  
D220,202 S 3/1971 Brown et al.  
D240,003 S 5/1976 Gairard  
D261,234 S \* 10/1981 Abraham ..... D9/432  
D288,395 S 2/1987 Ritman  
4,667,872 A \* 5/1987 Desmond ..... B65D 5/2019  
229/106  
D332,399 S \* 1/1993 Neff ..... D9/423  
D336,018 S 6/1993 Smith et al.  
D344,676 S \* 3/1994 Newman ..... D9/423  
5,445,276 A 8/1995 Gordon  
D365,729 S \* 1/1996 Wold ..... D6/667  
D369,295 S \* 4/1996 Kobari ..... D9/423  
D389,639 S \* 1/1998 Priebe ..... D3/203.8  
D406,463 S \* 3/1999 Rutledge ..... D3/302  
D422,846 S 4/2000 Swick  
D469,320 S 1/2003 Pettaweebuncha  
D469,665 S 2/2003 Pettaweebuncha  
D513,376 S 1/2006 Shannon  
D536,608 S 2/2007 Arkins  
D542,098 S 5/2007 Wasserman et al.  
D562,083 S 2/2008 Lown et al.  
D585,733 S \* 2/2009 Feibelman ..... D9/418  
D595,128 S 6/2009 Bouveret et al.  
D601,386 S 10/2009 Carlson  
D601,388 S 10/2009 Carlson  
D630,899 S 1/2011 Samartgis  
D630,900 S 1/2011 Samartgis  
D630,901 S 1/2011 Samartgis  
D640,131 S 6/2011 Gibson et al.

D642,907 S 8/2011 Samartgis  
D643,711 S 8/2011 Samartgis  
D646,119 S 10/2011 Deuber  
D646,156 S 10/2011 Maxwell-Wood  
D653,917 S 2/2012 Ehrenhaus  
D655,576 S 3/2012 Samartgis  
D655,577 S 3/2012 Samartgis  
D655,578 S 3/2012 Samartgis  
D661,950 S \* 6/2012 Greenwood ..... D7/590  
D666,878 S 9/2012 Siegel  
D670,569 S 11/2012 Siegel  
8,418,871 B1 4/2013 LaMasney  
D684,824 S 6/2013 Sweet et al.  
D686,491 S 7/2013 Kuo et al.  
D690,198 S 9/2013 Haracourt et al.  
D696,075 S 12/2013 Mashike  
D696,907 S 1/2014 Everingham et al.  
D697,372 S 1/2014 Everingham et al.  
D697,759 S 1/2014 Katterheinrich et al.  
D729,004 S 5/2015 Deuber et al.  
D736,569 S 8/2015 Bronwasser et al.  
D764,910 S 8/2016 Akana et al.  
D767,950 S \* 10/2016 Kraemer ..... D7/629  
D773,185 S \* 12/2016 Beilman ..... D3/283  
D778,607 S \* 2/2017 Sacks ..... D3/275  
D779,201 S \* 2/2017 Beilman ..... D3/284  
D779,287 S \* 2/2017 Baker ..... D7/629  
D784,629 S \* 4/2017 Farrish ..... D3/273  
2003/0010783 A1 1/2003 Prezelin  
2007/0151976 A1 7/2007 Millsap et al.  
2009/0032545 A1 2/2009 Zeiler et al.  
2014/0103033 A1 4/2014 Beckman  
2015/0118370 A1 4/2015 Johnson  
2017/0081082 A1 \* 3/2017 Murphy ..... B65D 25/24

\* cited by examiner



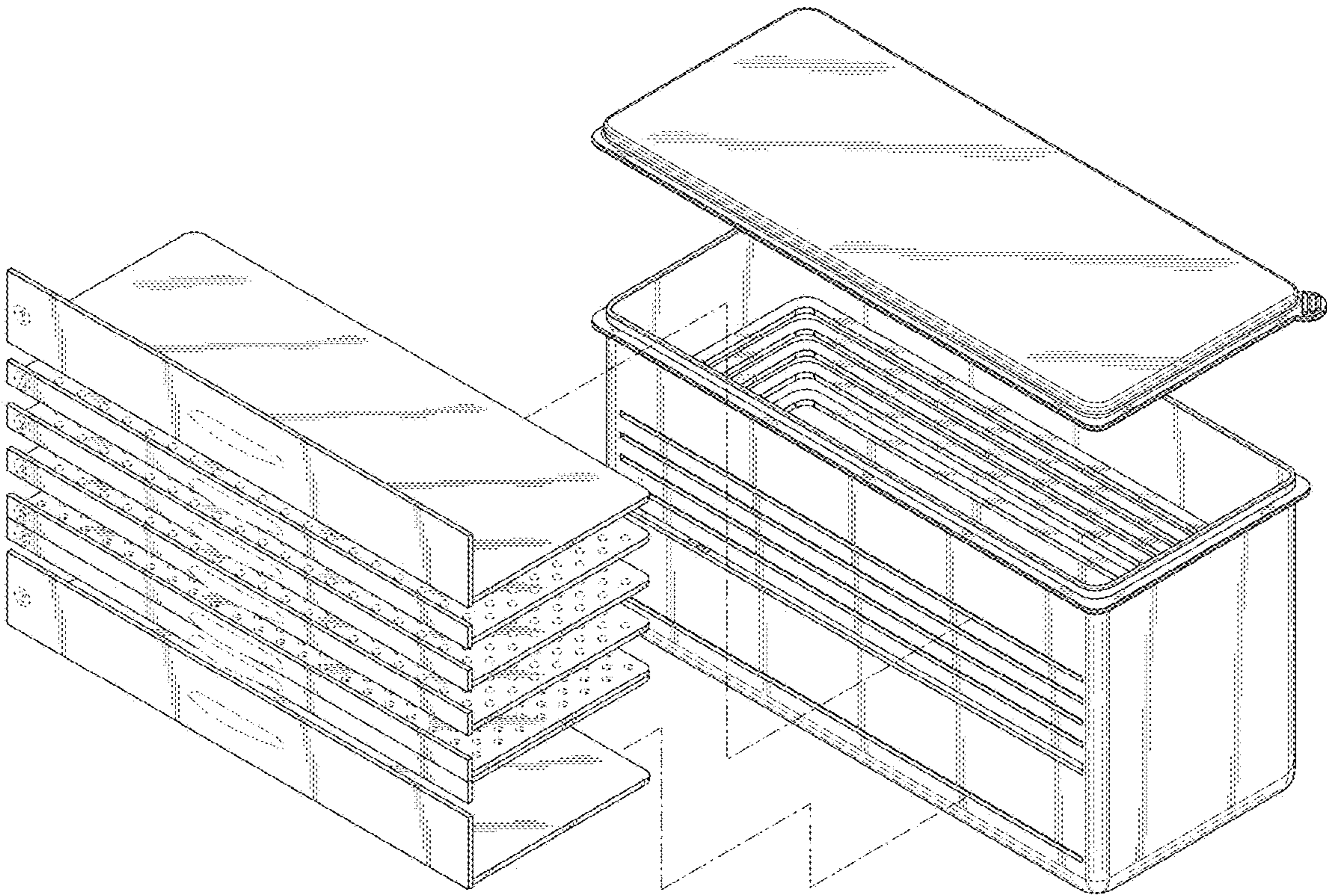


FIG. 1

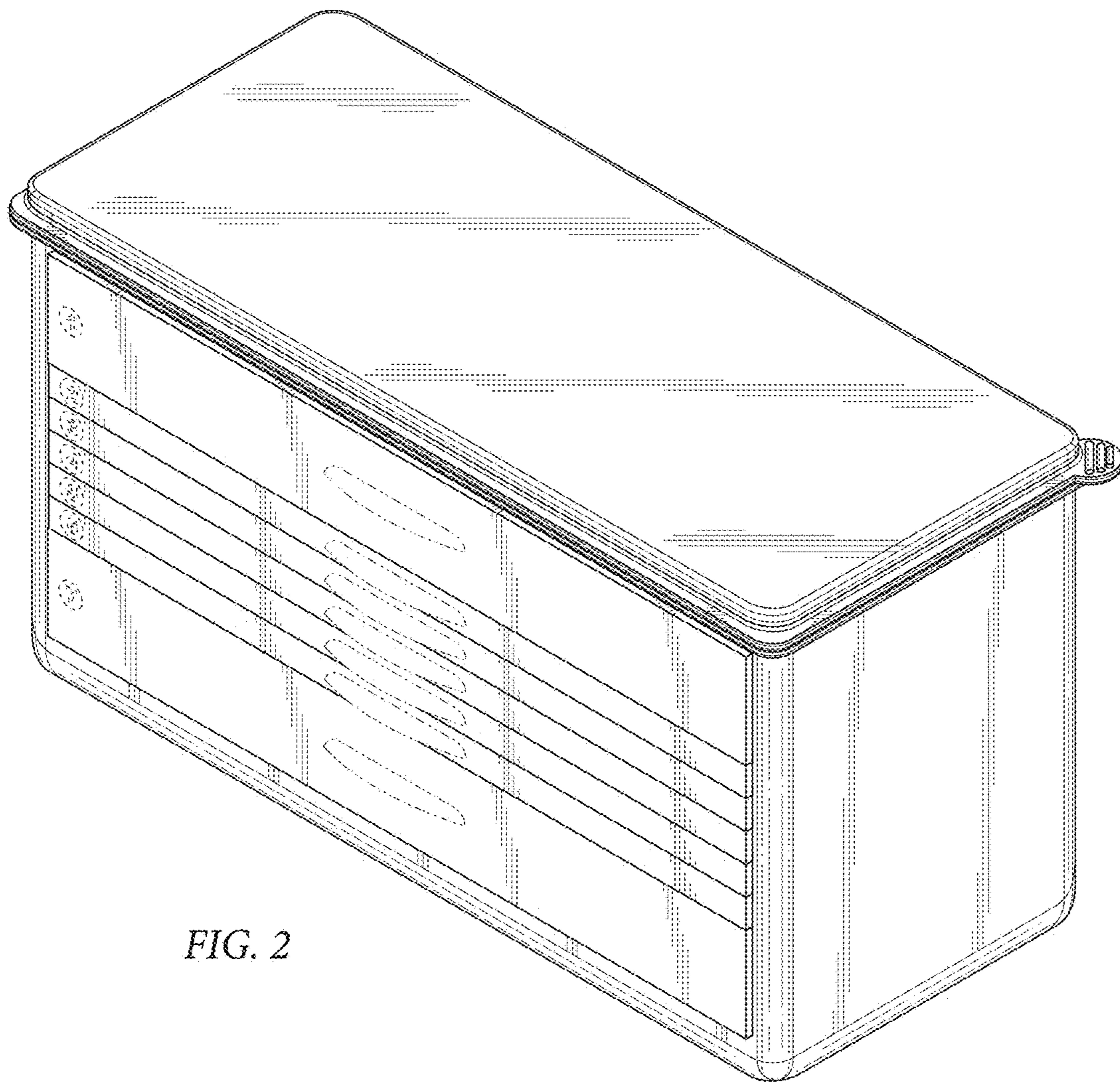


FIG. 2

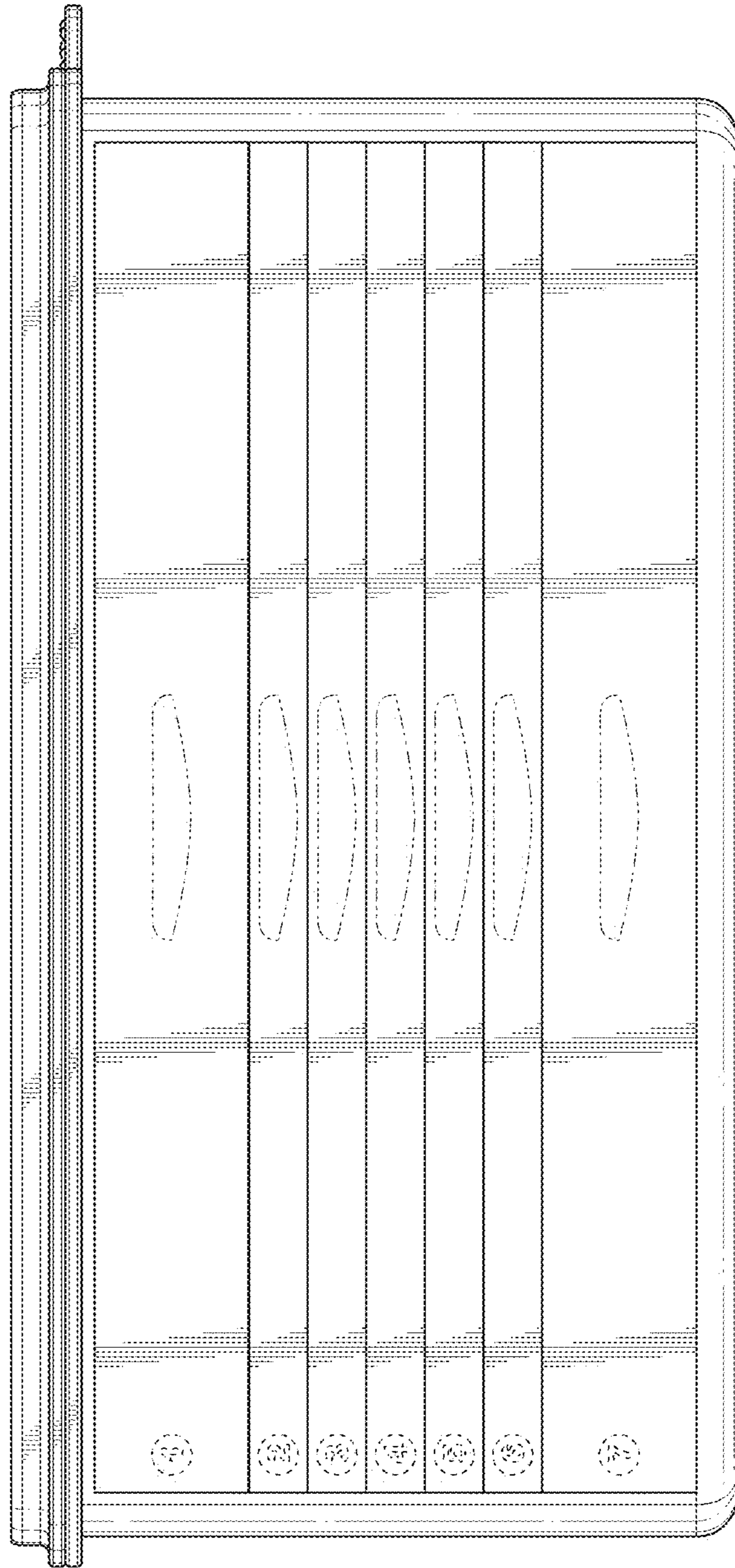


FIG. 3



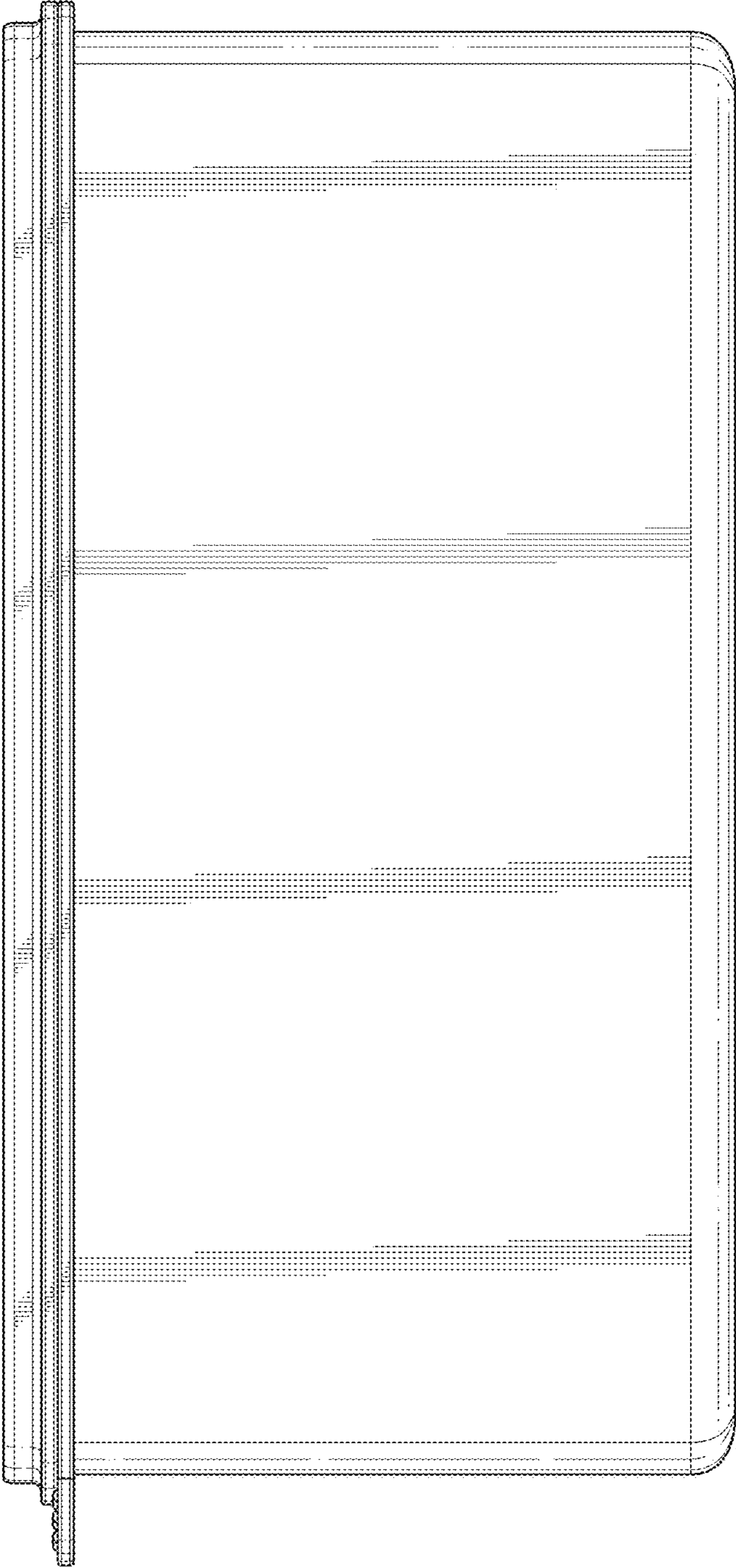


FIG. 4

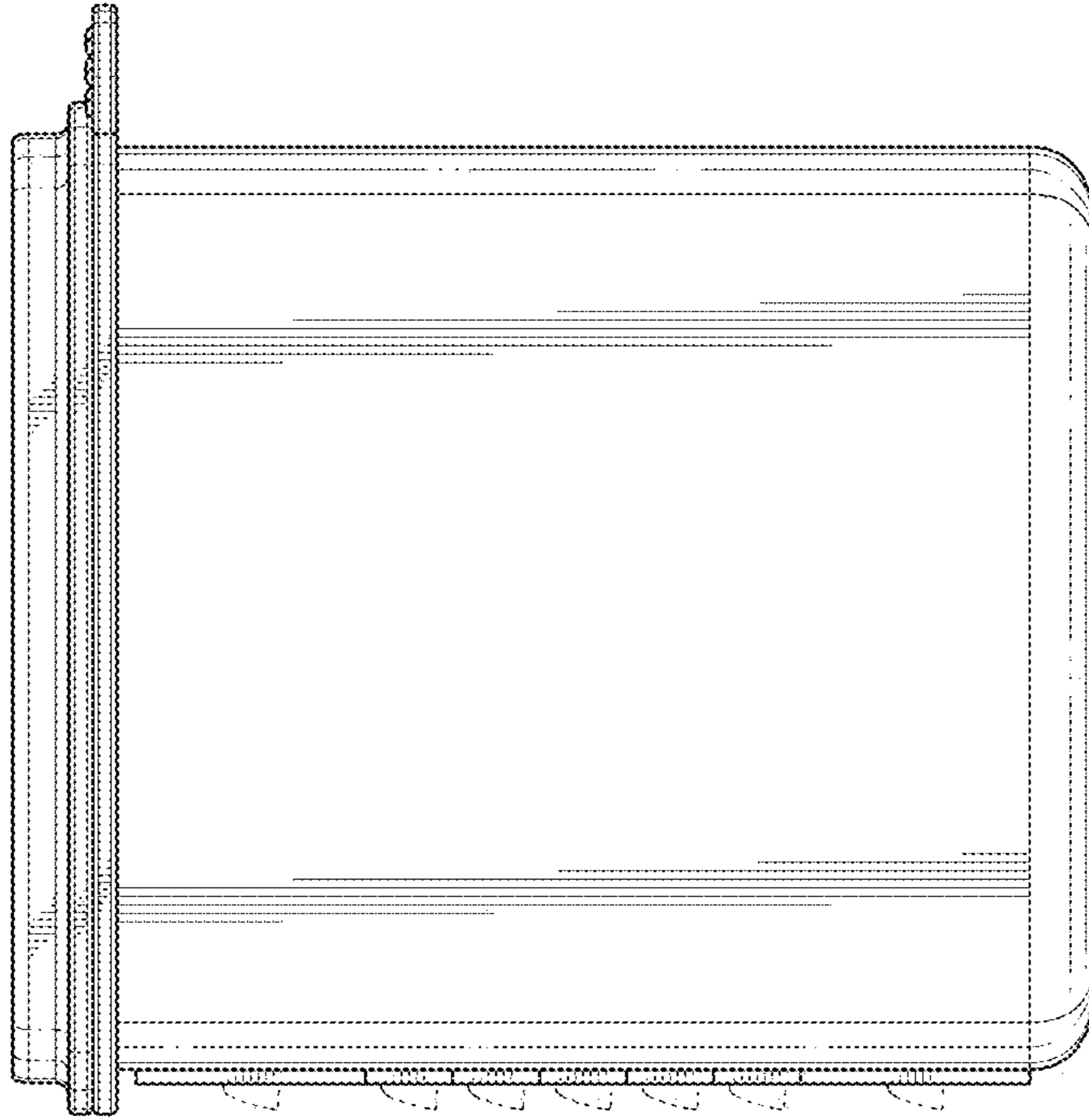


FIG. 5

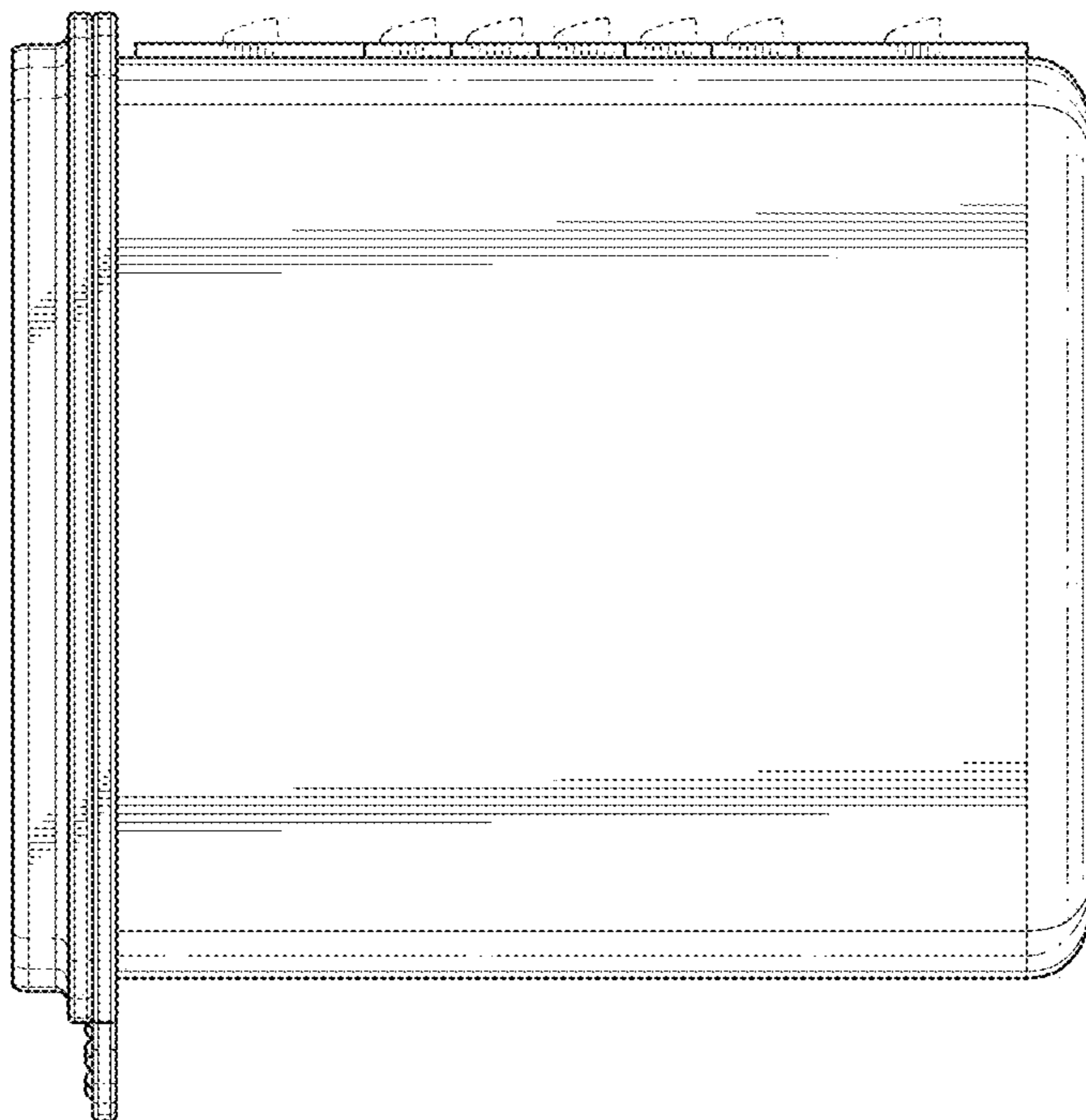


FIG. 6

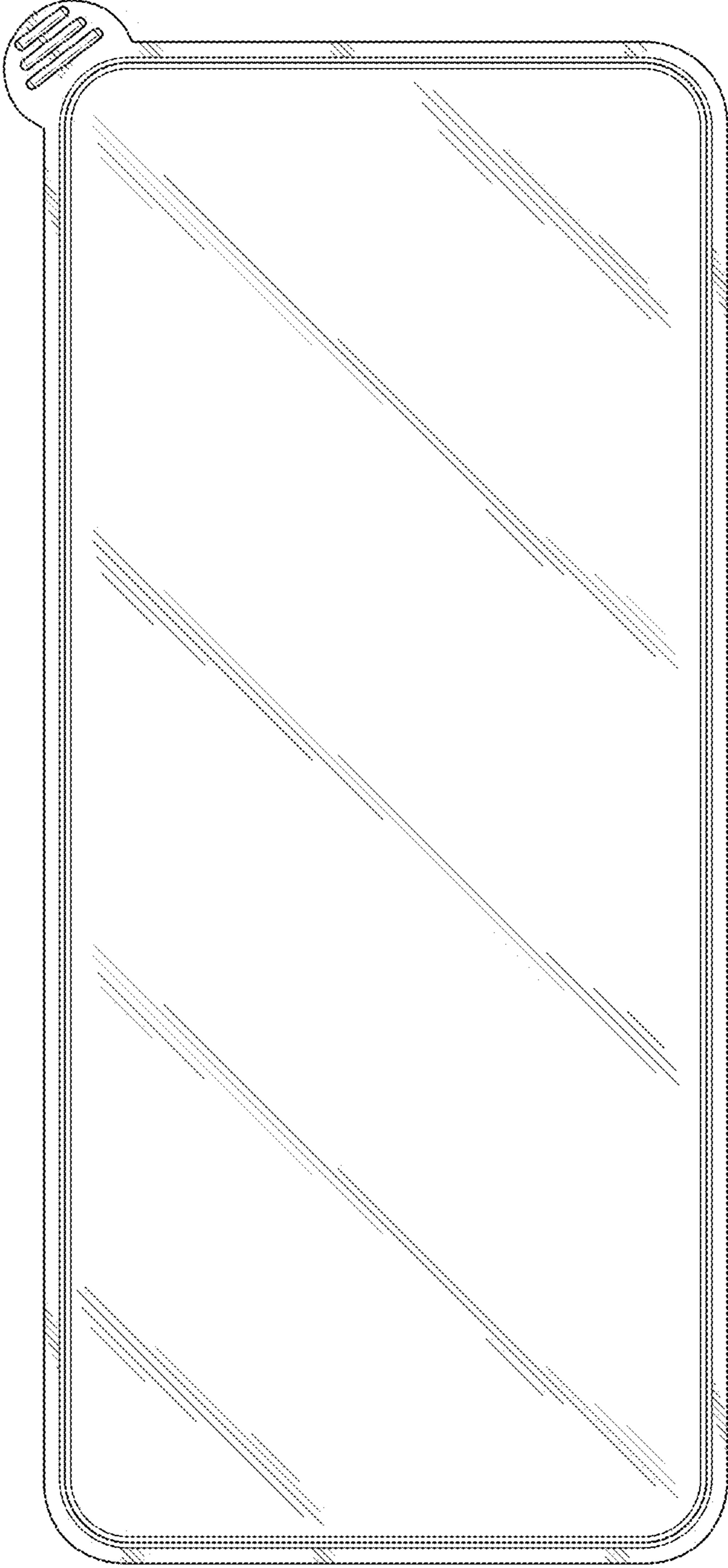


FIG. 7



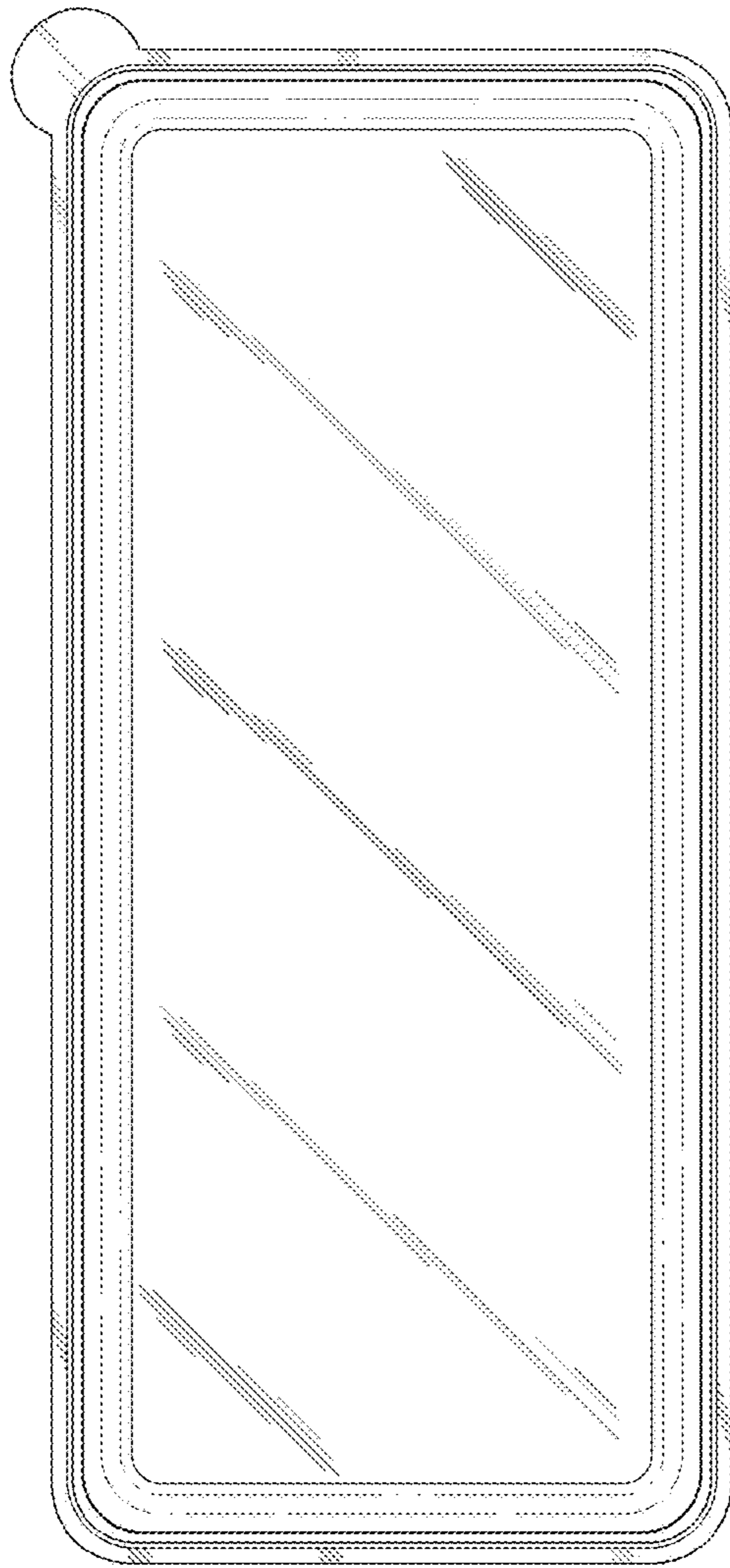


FIG. 8