

US00D792169S

(12) **United States Design Patent**
Hicks

(10) **Patent No.:** **US D792,169 S**
(45) **Date of Patent:** **** Jul. 18, 2017**

(54) **SLEEVE FOR BEVERAGE CONTAINER**

D701,079 S 3/2014 Arora
D712,198 S 9/2014 Arora
2008/0047967 A1* 2/2008 Brunner B65D 81/3886
220/737

(71) Applicant: **Best Promotions USA, LLC**, Balch Springs, TX (US)

(72) Inventor: **Michael E. Hicks**, Balch Springs, TX (US)

(73) Assignee: **Best Promotions USA, LLC**, Balch Springs, TX (US)

(**) Term: **15 Years**

(21) Appl. No.: **29/548,737**

(22) Filed: **Dec. 16, 2015**

(51) **LOC (10) Cl.** **07-01**

(52) **U.S. Cl.**
USPC **D7/625**

(58) **Field of Classification Search**
USPC D7/619.1-625, 605-608, 396.2
CPC A47G 2023/0291; A47G 23/0258; A47B 23/0216; B65D 81/3876; B65D 81/3886; F25D 3/08; F25D 2331/804; F17C 13/001
See application file for complete search history.

(56) **References Cited**

U.S. PATENT DOCUMENTS

4,344,303 A * 8/1982 Kelly, Jr. A61F 7/10
215/12.1
5,467,891 A * 11/1995 Perry B65D 81/3886
220/62.11

OTHER PUBLICATIONS

ICUP, Inc., "Wonder Woman koozie", 2014-2015, picture attached.
ICUP, Inc., "Batman koozie", 2014-2015, picture attached.

* cited by examiner

Primary Examiner — Terry Wallace

(74) *Attorney, Agent, or Firm* — Nelson Mullins Riley & Scarborough LLP

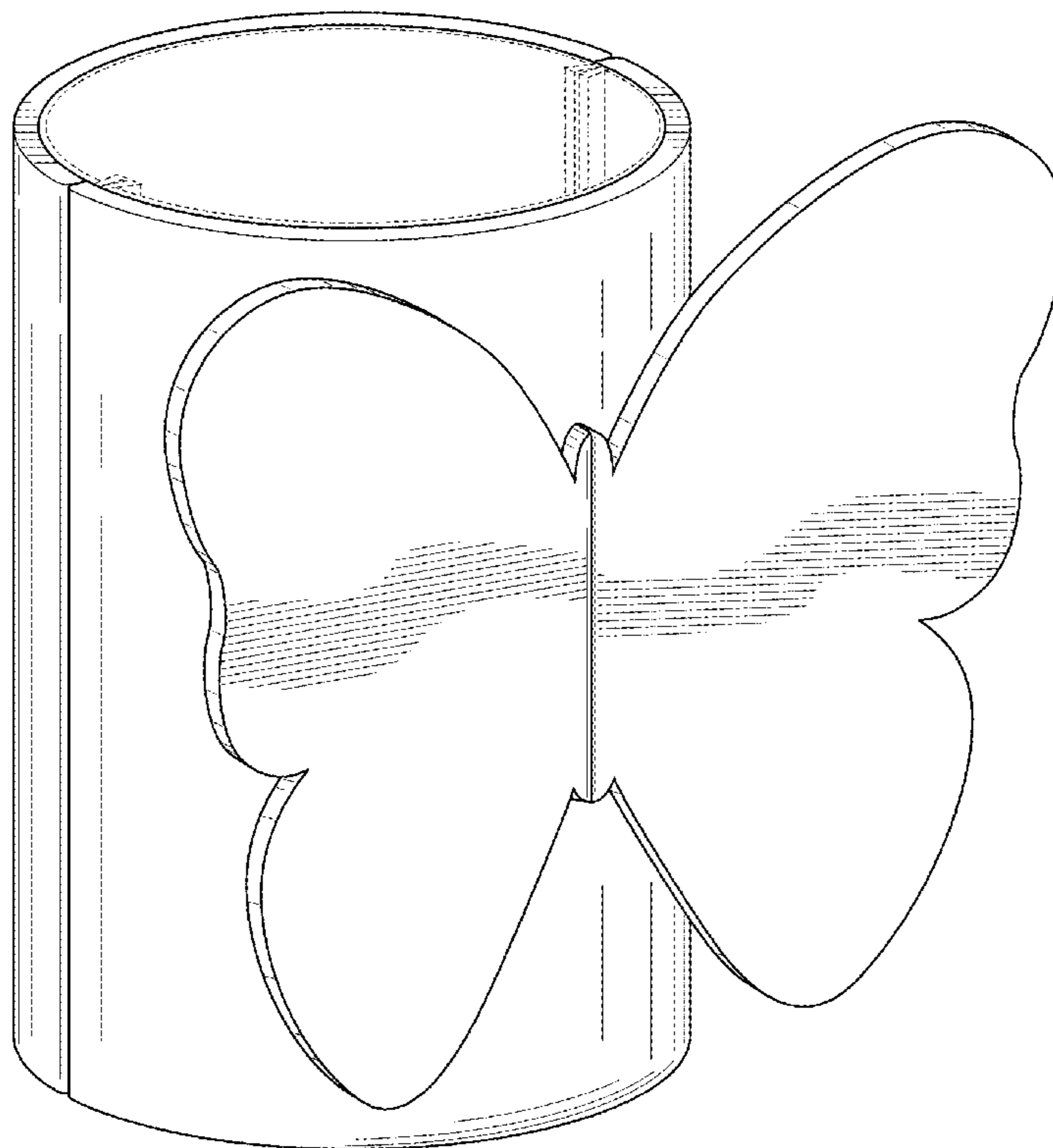
(57) **CLAIM**

The ornamental design for a sleeve for beverage container, as shown and described.

DESCRIPTION

FIG. 1 is a front perspective view of a sleeve for beverage container showing my new design.
FIG. 2 is a front elevational view thereof.
FIG. 3 is a rear elevational view thereof.
FIG. 4 is a right side elevational view thereof.
FIG. 5 is a left side elevational view thereof.
FIG. 6 is a top plan view thereof; and,
FIG. 7 is a bottom plan view thereof.
The broken lines in the drawings are for illustrative purposes only and form no part of the claimed design.

1 Claim, 7 Drawing Sheets



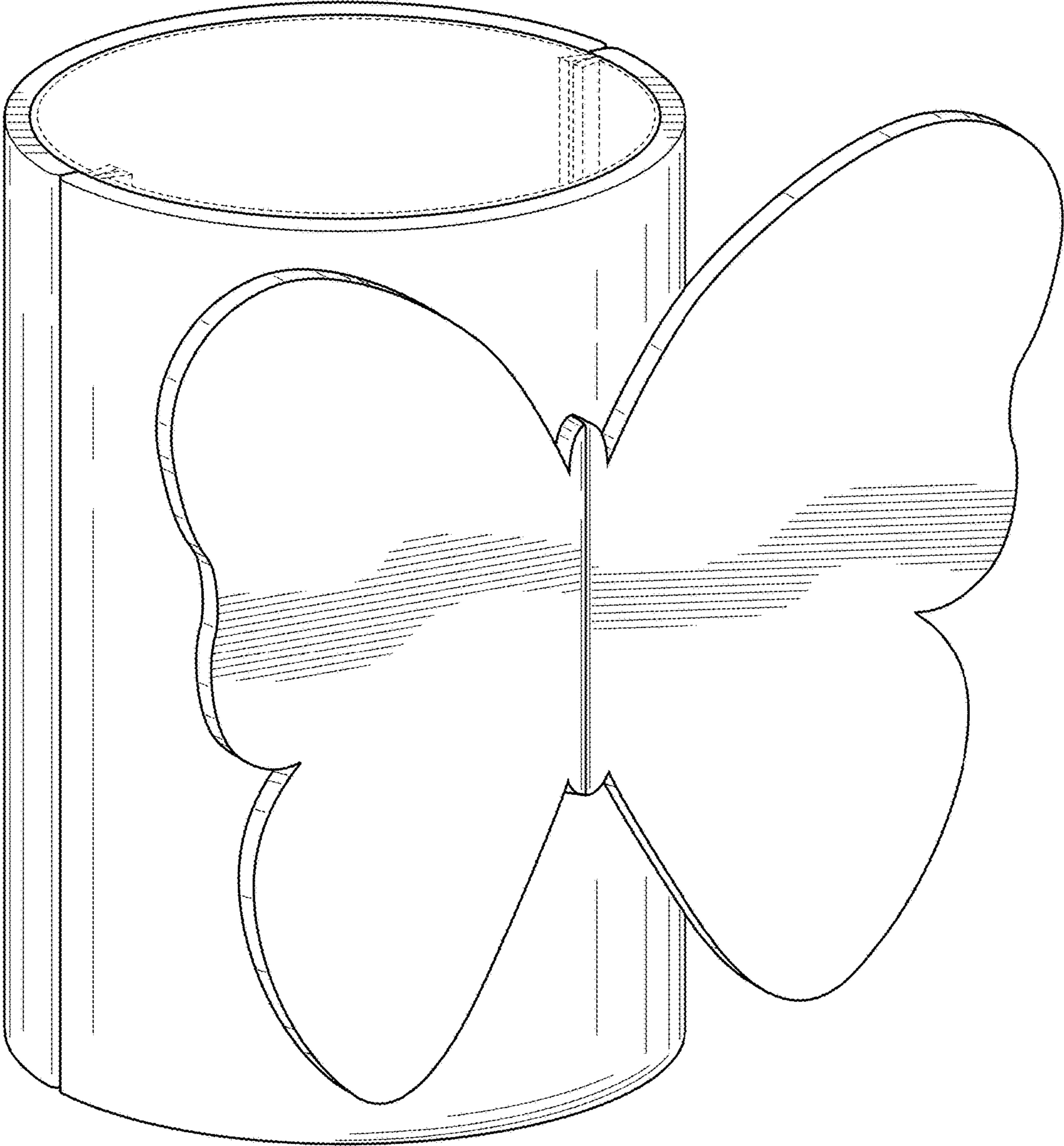


FIG. 1

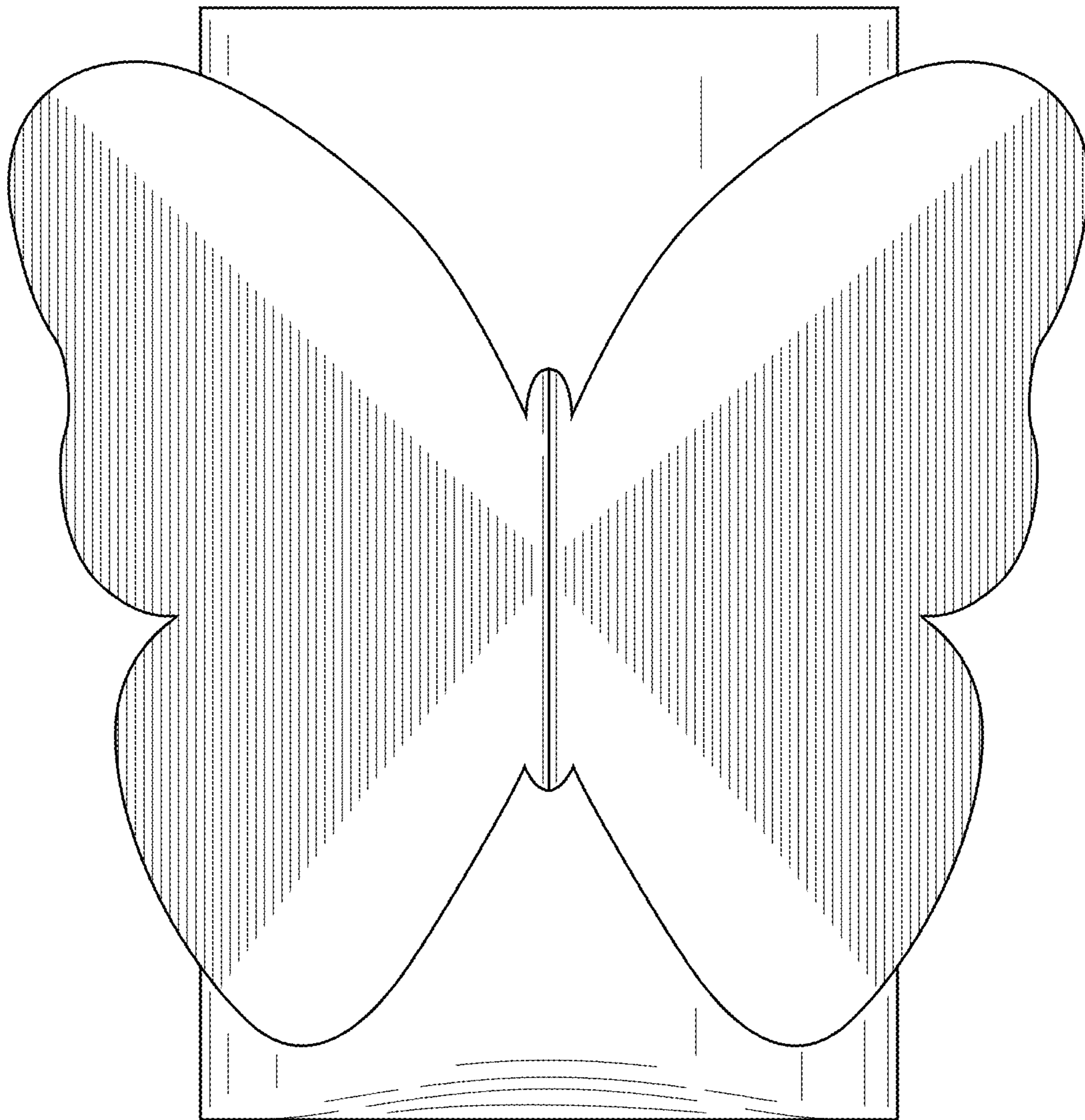


FIG. 2

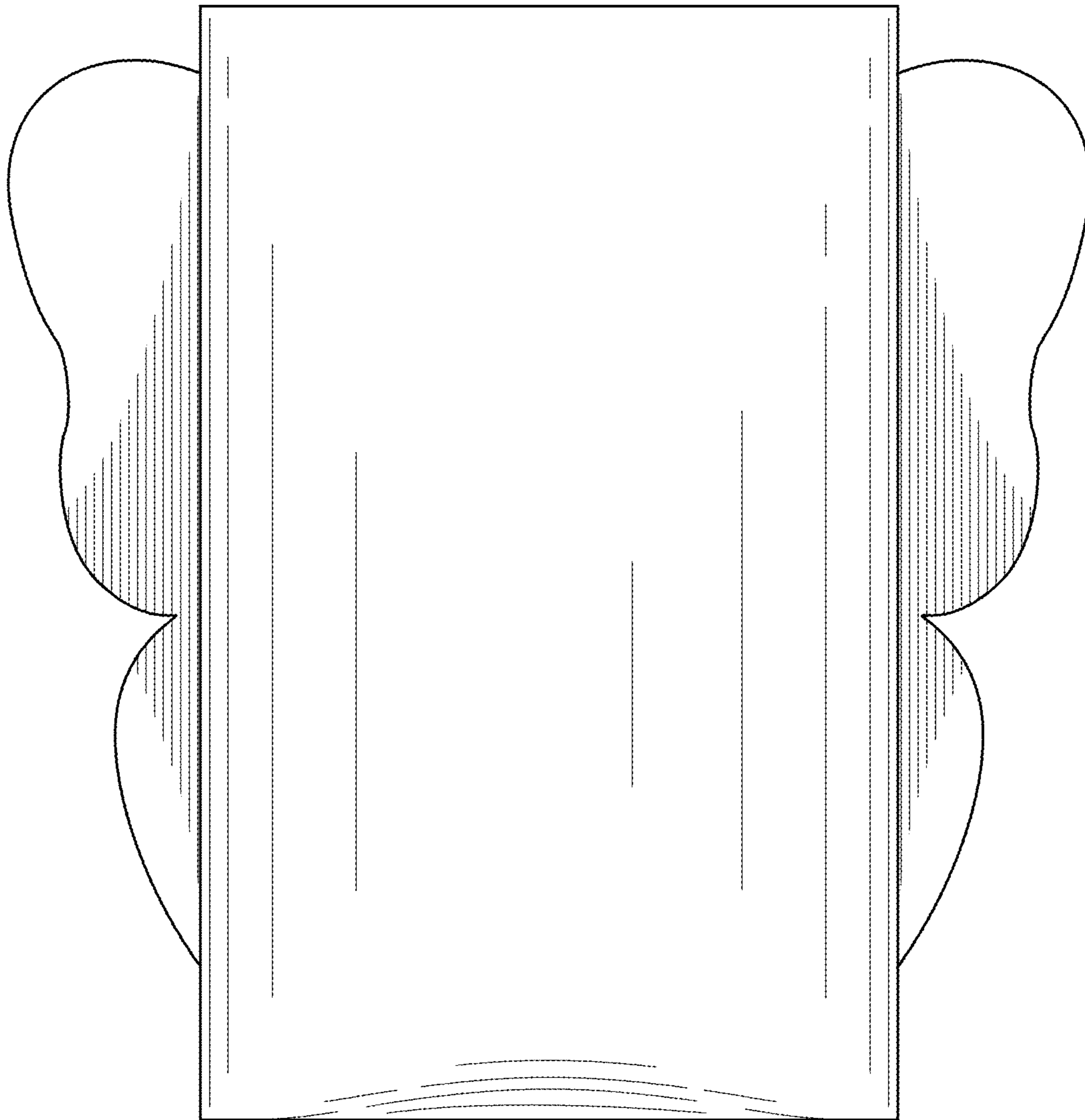


FIG. 3

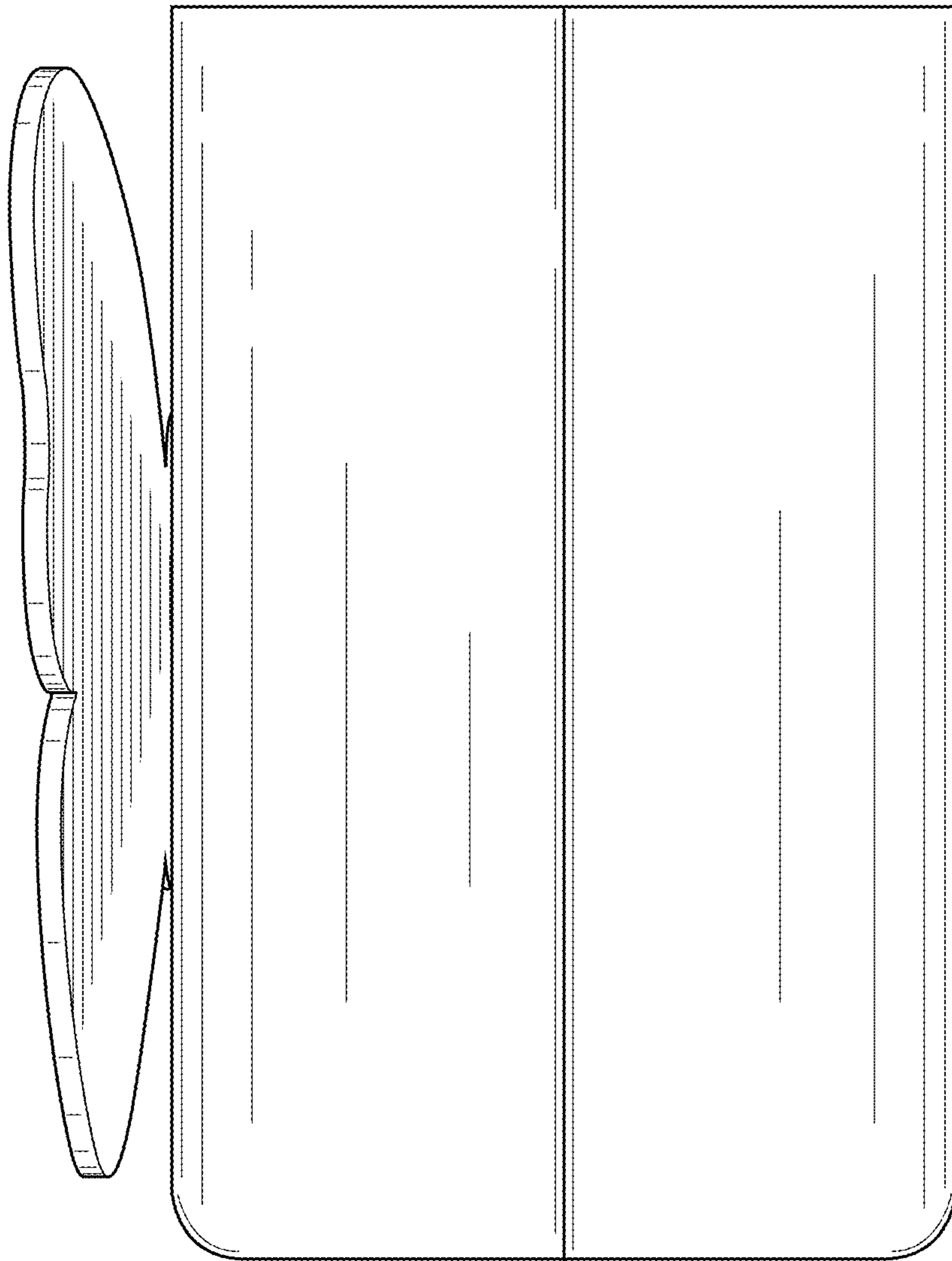


FIG. 4

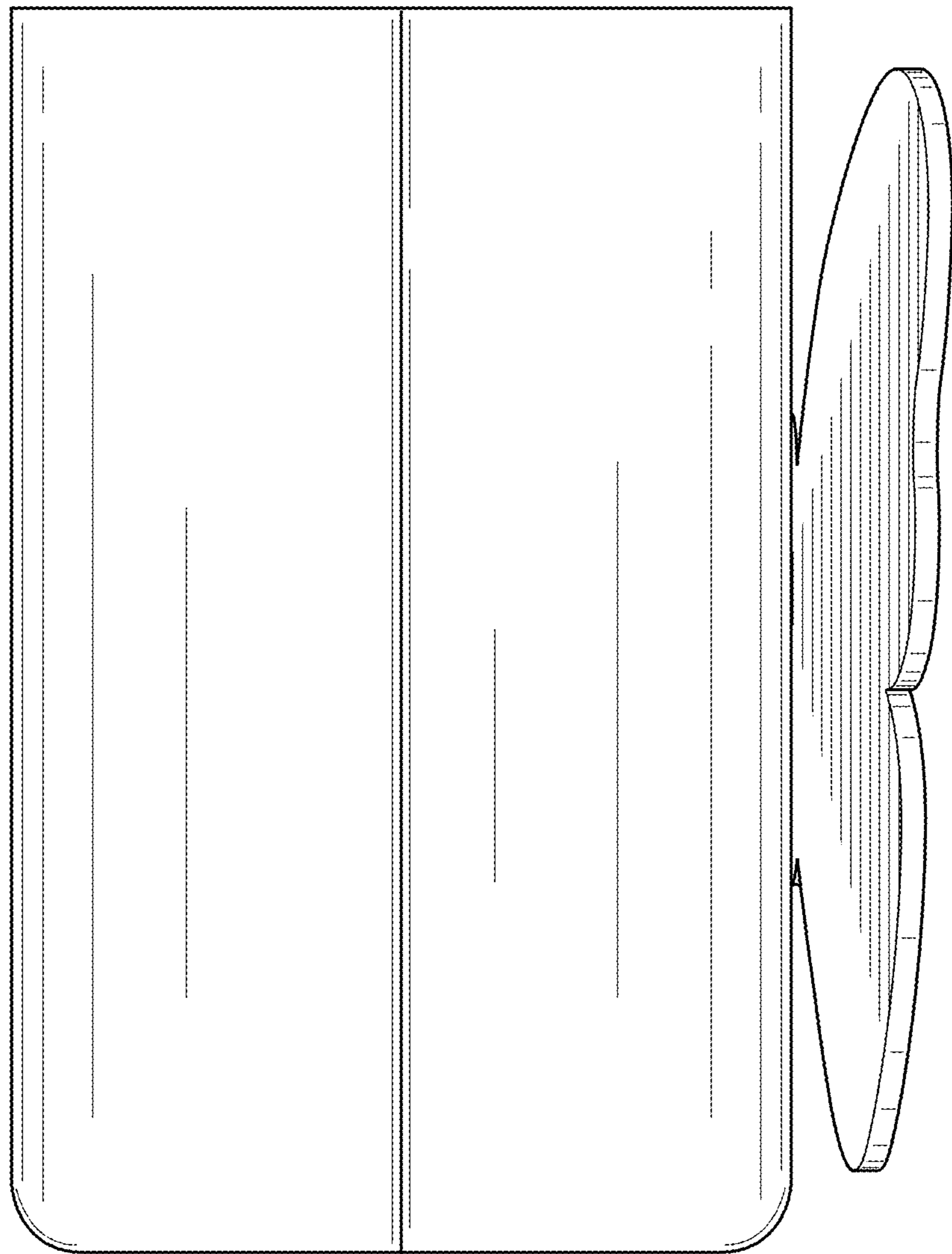


FIG. 5

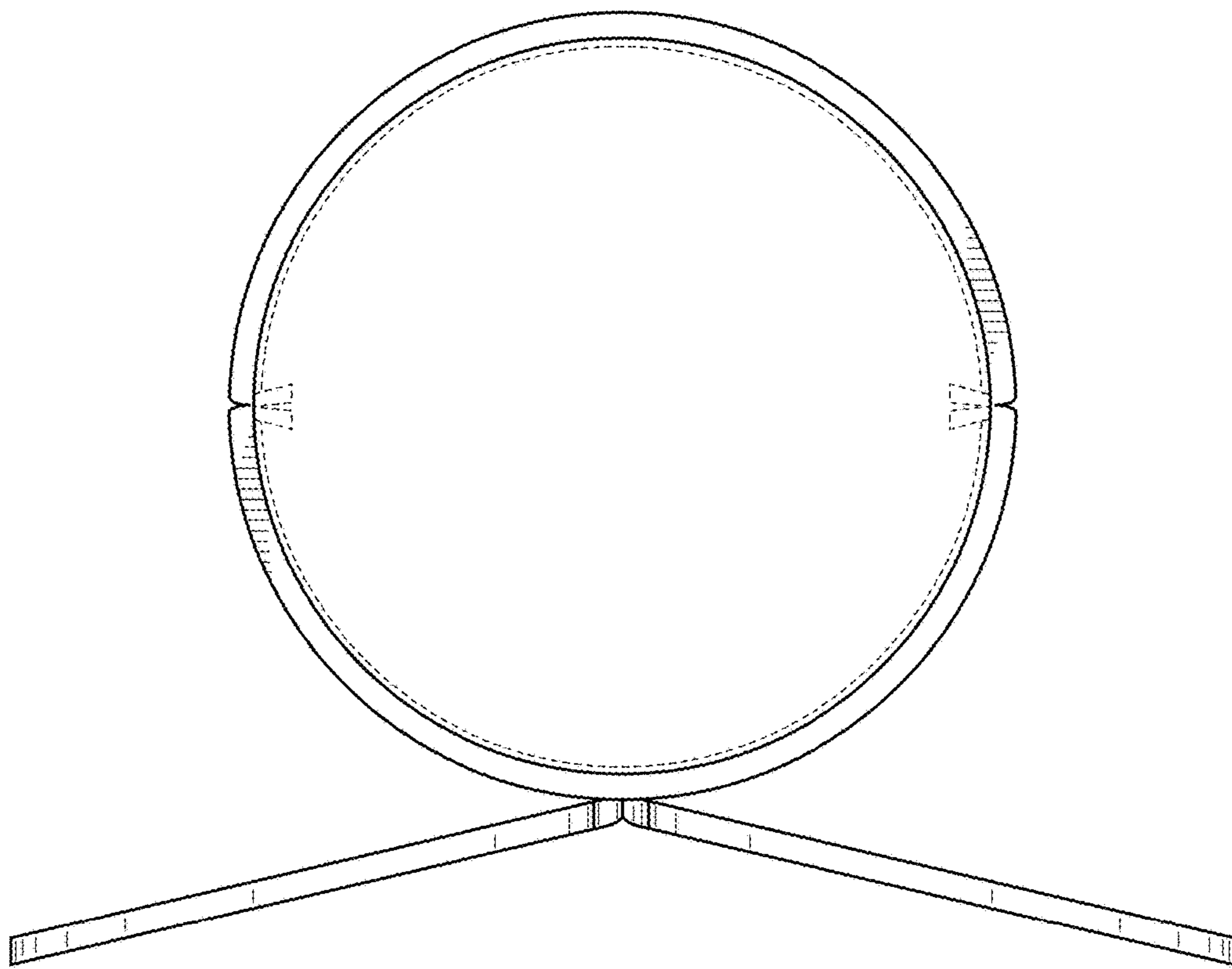


FIG. 6

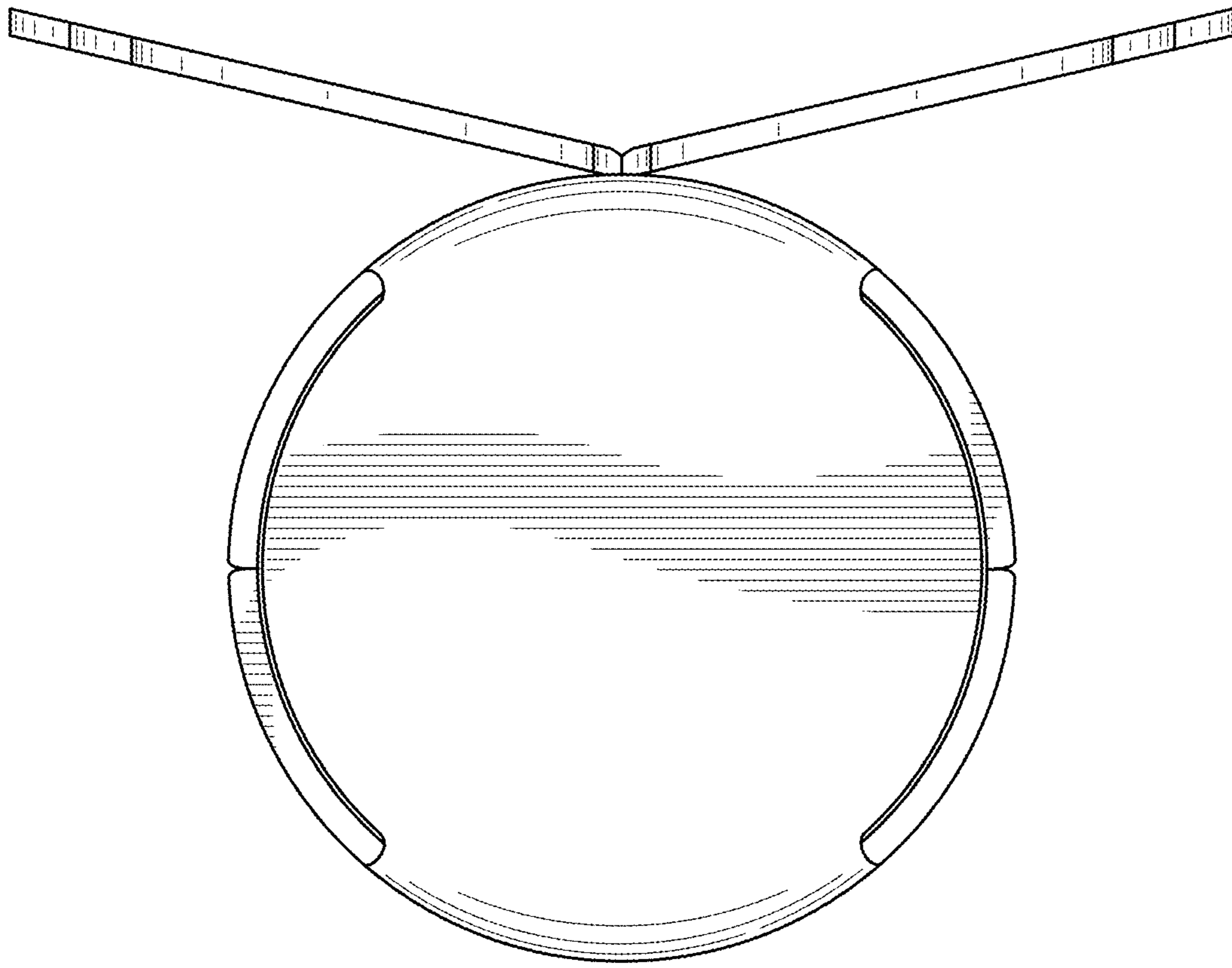


FIG. 7