



US00D792168S

(12) **United States Design Patent**
Gordon et al.

(10) **Patent No.:** **US D792,168 S**
(45) **Date of Patent:** **** Jul. 18, 2017**

(54) **CUP HOLDER WITH DISPLAY AREA**

(71) Applicant: **John G. Gordon LLC**, Wauchula, FL
(US)

(72) Inventors: **John Greg Gordon**, Wauchula, FL
(US); **Kevin Ward**, Winter Haven, FL
(US); **John H Jebens**, Winter Haven,
FL (US); **Damon K Furlong**, Bartow,
FL (US)

(73) Assignee: **John G. Gordon LLC**, Wauchula, FL
(US)

(**) Term: **15 Years**

(21) Appl. No.: **29/537,726**

(22) Filed: **Aug. 28, 2015**

(51) **LOC (10) Cl.** **07-06**

(52) **U.S. Cl.**

USPC **D7/624.2**

(58) **Field of Classification Search**

USPC D7/507, 601, 602, 607, 608, 619.1,
D7/624.1-624.3, 701, 703, 708; D3/202;
211/41.2, 57.1, 59.2, 66, 74, 94.01, 181.1,
211/189; 248/220.41, 303, 312.1;
D9/711

CPC A47B 55/00; A47B 55/02; A47B 73/00;
A47B 73/002; A47B 73/004; A47B
73/006; A47B 73/008; A47B 69/00;
A47G 23/0266; A47J 47/16

See application file for complete search history.

(56) **References Cited**

U.S. PATENT DOCUMENTS

D452,949 S 1/2002 Wang
6,814,253 B2 11/2004 Wong
6,986,436 B2* 1/2006 Smith B65D 25/36
220/660

D529,765 S 10/2006 Gomes et al.
D559,043 S 1/2008 Peota et al.

D591,557 S 5/2009 Bodum
D594,707 S * 6/2009 Silverstein D7/607
7,922,031 B1 4/2011 Prince
D643,690 S 8/2011 Selina et al.
D643,691 S 8/2011 Selina et al.
(Continued)

FOREIGN PATENT DOCUMENTS

CA 2489609 A1 6/2006

OTHER PUBLICATIONS

“Handisleeve Coffee Holder” Printed: Sep. 10, 2015. <<http://www.thisnext.com/item/E91DCE2D/Handisleeve-Coffee-Holder>>, (2 pages).

(Continued)

Primary Examiner — Keli L Hill

(74) *Attorney, Agent, or Firm* — Loeb & Loeb, LLP

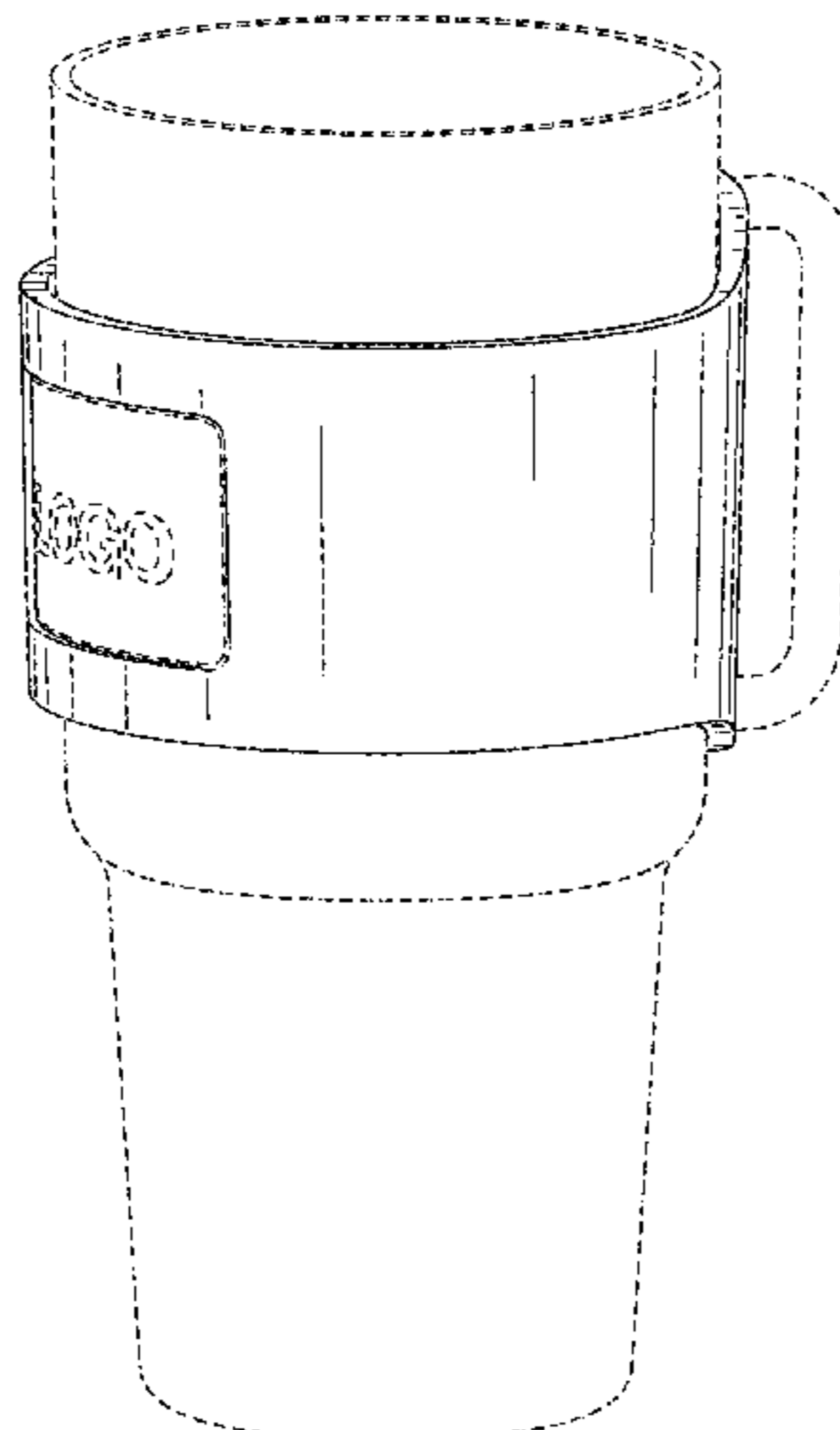
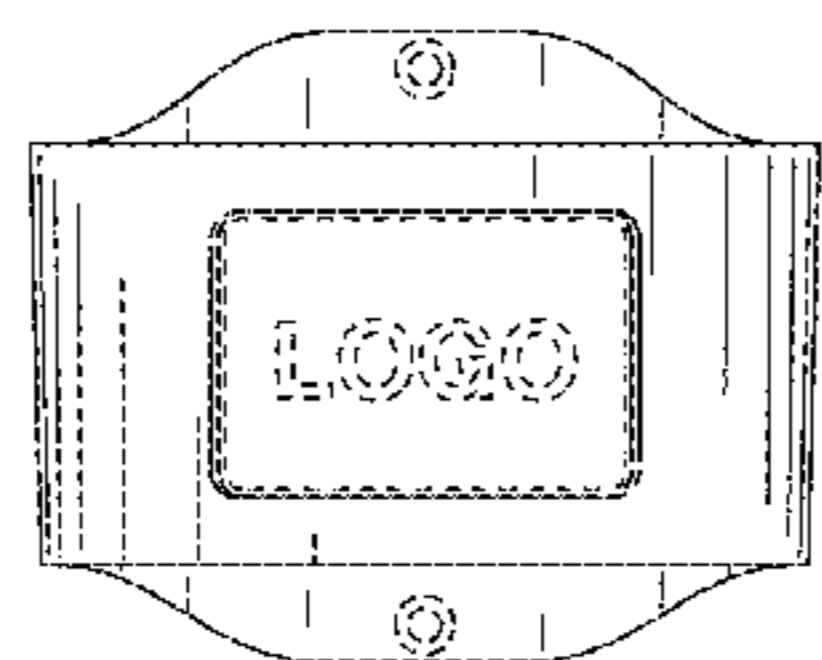
(57) **CLAIM**

The ornamental design for a cup holder with display area, as shown and described.

DESCRIPTION

FIG. 1 is a perspective view of a cup holder with display area, embodying my new design;
FIG. 2 is a left side elevational view of the cup holder of FIG. 1, the right side view being a mirror image thereof;
FIG. 3 is a front elevational view of the cup holder of FIG. 1;
FIG. 4 is a back elevational view of the cup holder of FIG. 1;
FIG. 5 is a top view of the cup holder of FIG. 1;
FIG. 6 is a bottom view of the cup holder of FIG. 1; and,
FIG. 7 is another perspective view of the cup holder of FIG. 1.
The broken lines shown are included for the purpose of illustrating unclaimed portions and environment of the cup holder with display area that form no part of the claim.

1 Claim, 4 Drawing Sheets



(56)

References Cited

U.S. PATENT DOCUMENTS

D643,692 S 8/2011 Selina et al.
8,364,542 B2 1/2013 Grauel et al.
D675,880 S * 2/2013 Welch D7/607
8,627,982 B2 1/2014 Selina
D708,483 S * 7/2014 Gut D7/624.2
D730,111 S * 5/2015 Beller D7/387
9,102,461 B2 8/2015 Leser et al.
D753,958 S * 4/2016 Essenberg D7/624.2
2004/0232156 A1 11/2004 Hogan et al.
2006/0000882 A1 1/2006 Darzinskas
2007/0125787 A1 6/2007 Oathout et al.
2008/0078824 A1 4/2008 Spriegel et al.
2010/0200603 A1 8/2010 Kim et al.
2011/0239481 A1 10/2011 Ray
2012/0024875 A1 2/2012 Zerda et al.

OTHER PUBLICATIONS

“Cup on Pinterest | Cup Design, Paper Cups and Cup Cozies”
Printed: Sep. 10, 2015. <<http://www.pinterest.com/ideabank13/cup/>
(1 page).

“16 Oz. Double Wall Coffee Tumbler” Printed: Nov. 24, 2015.
<<http://www.oempromo.com/product/Cups/1/16-Oz--Double-Wall-Coffee-Tumbler-W--Silicone-Rubber-Grip---Sipper-Lid-85960.htm>>, (1 page).

“Sure Grip Cup Sleeve” Printed: Nov. 24, 2015. <[http://www.oempromo.com/product/Cups/S/Sure-Grip-Cup Sleeve-86366.htm](http://www.oempromo.com/product/Cups/S/Sure-Grip-Cup-Sleeve-86366.htm)>, (1 page).

* cited by examiner

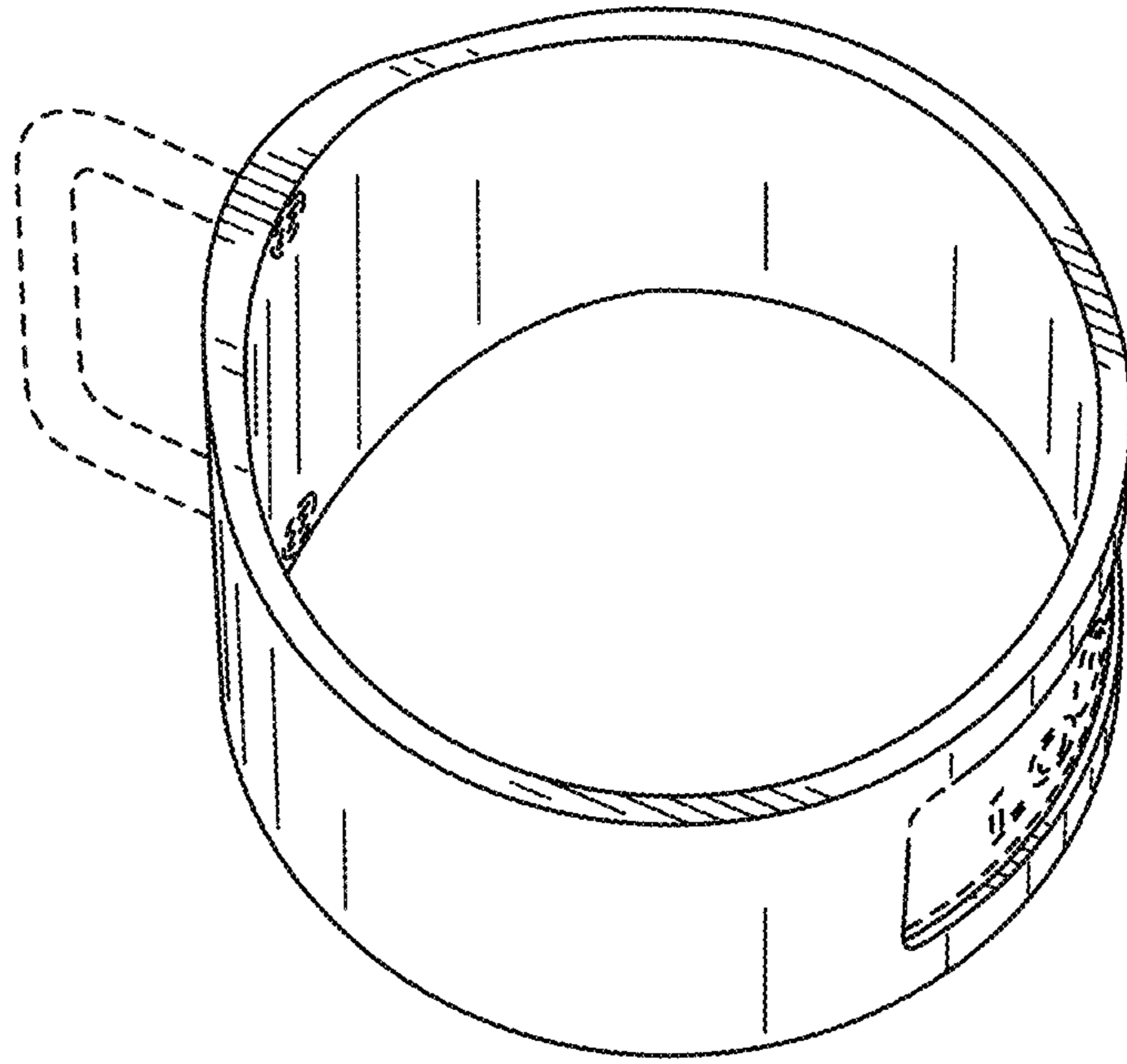


FIG. 1

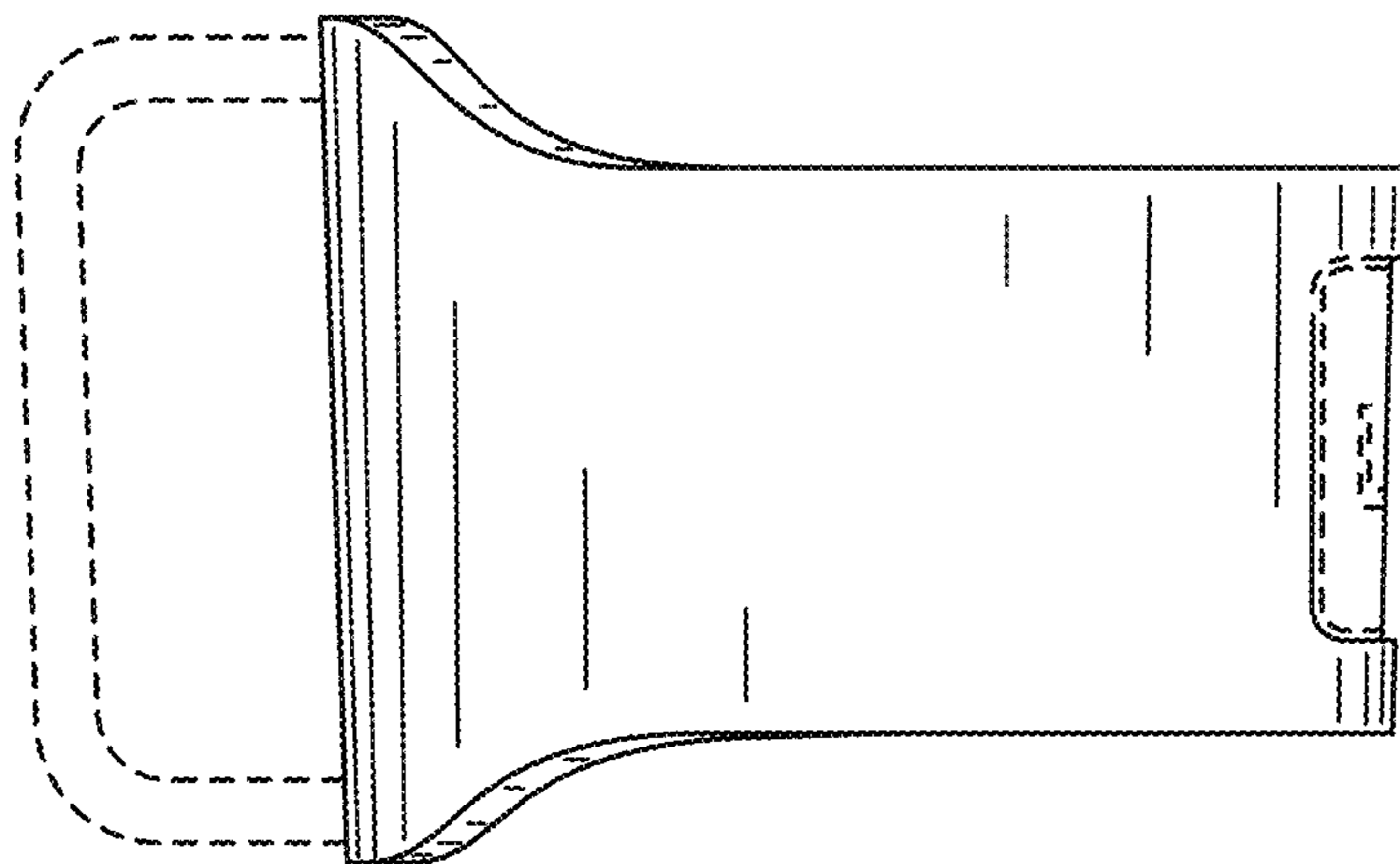


FIG. 2

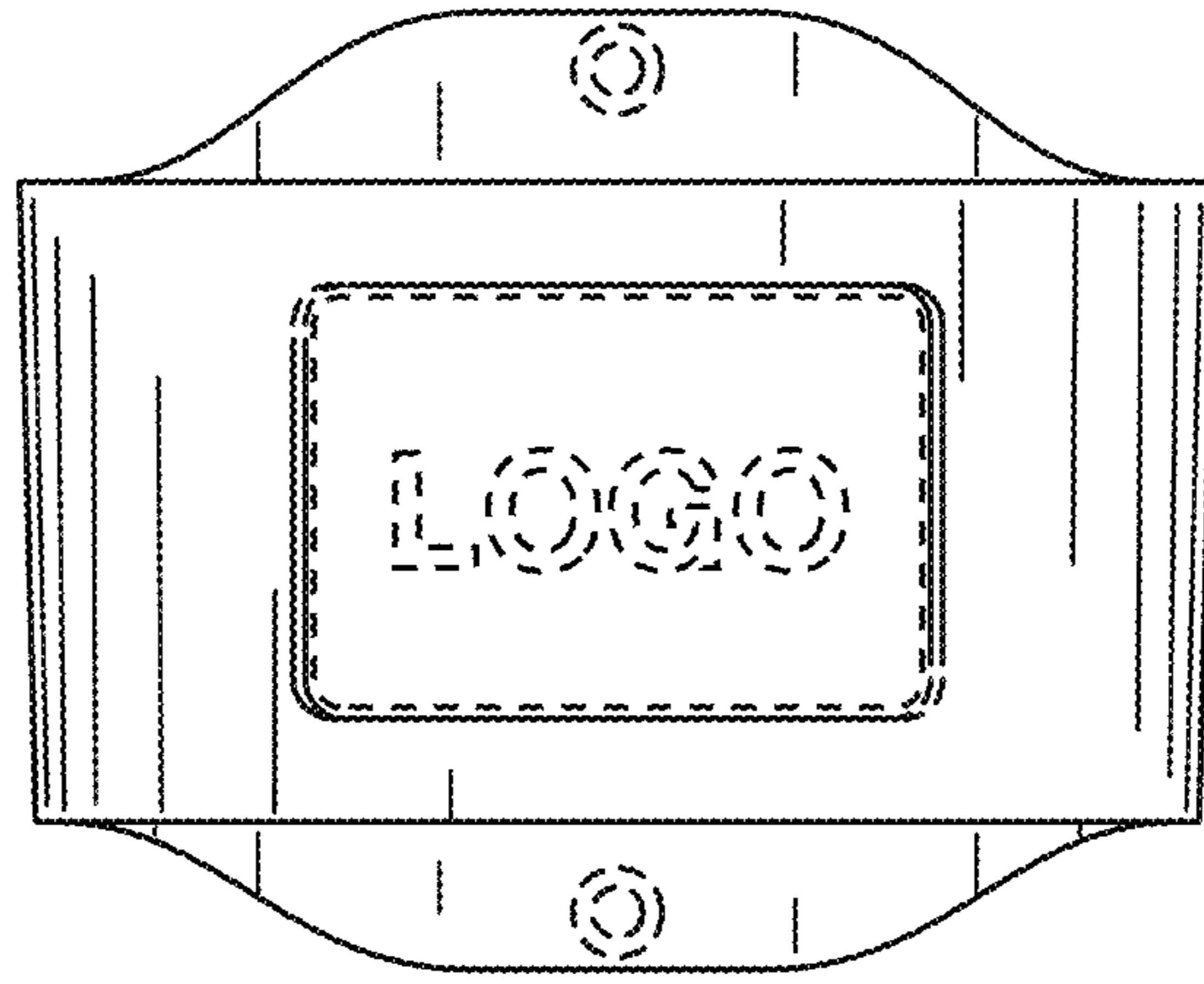


FIG. 3

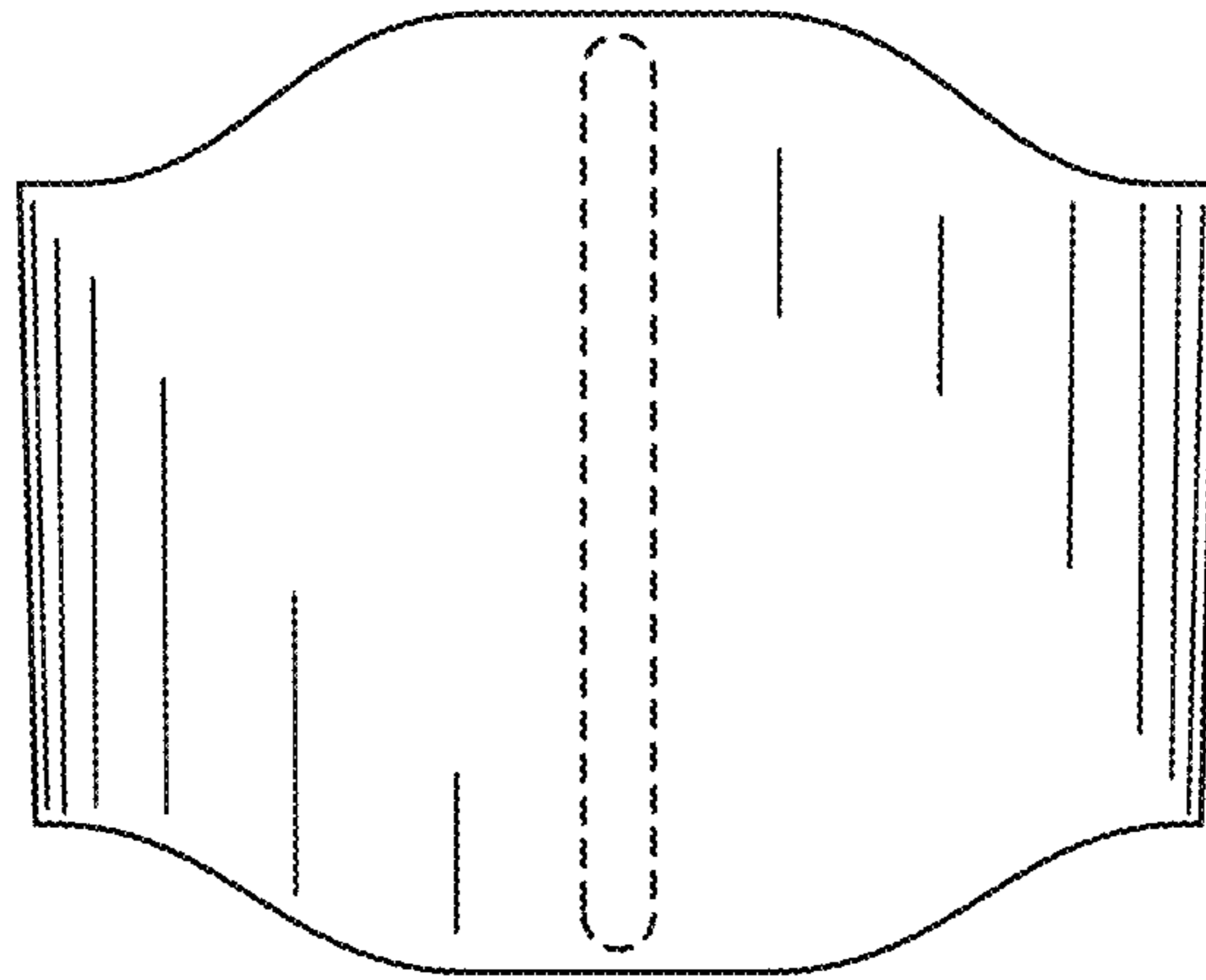


FIG. 4

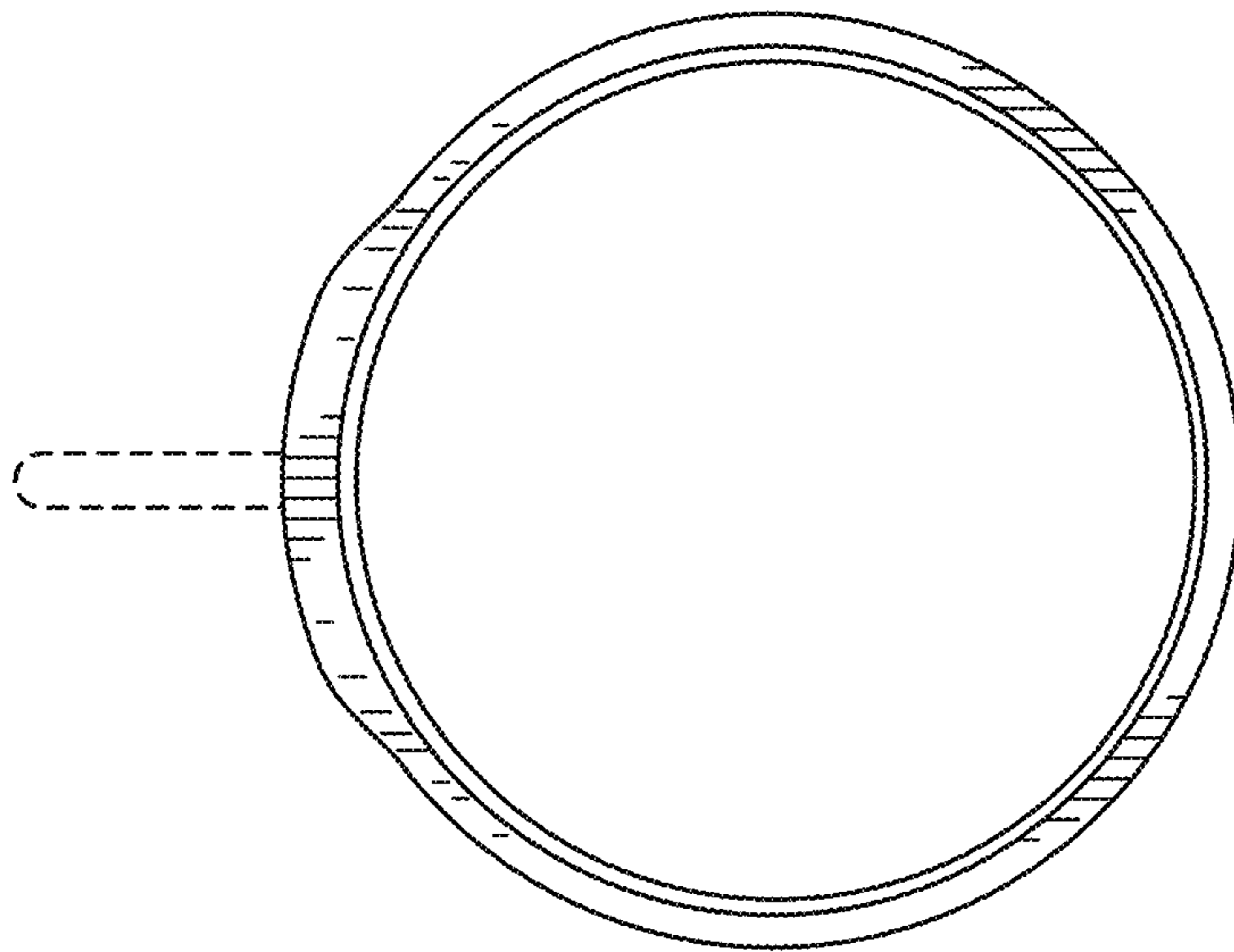


FIG. 5

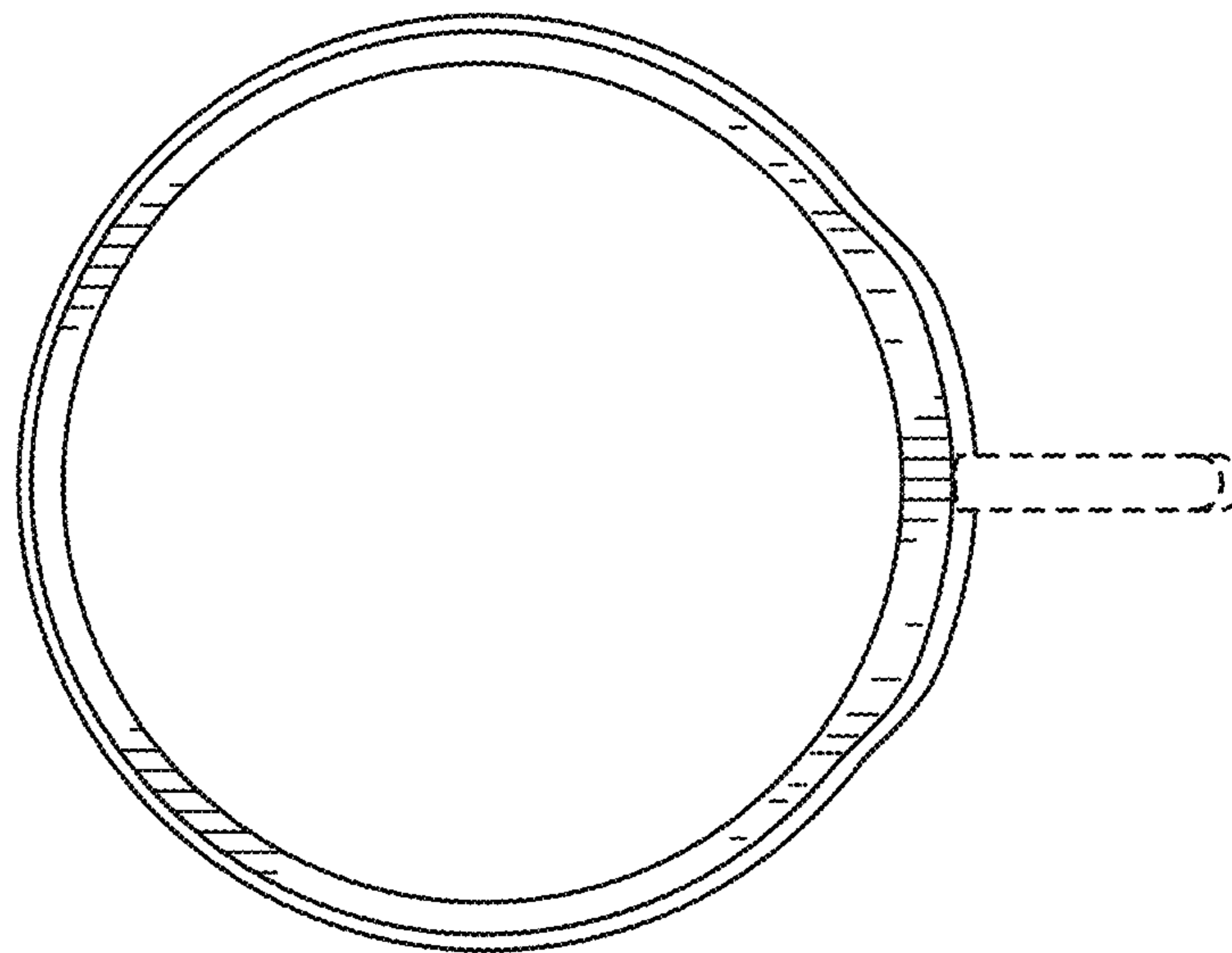


FIG. 6

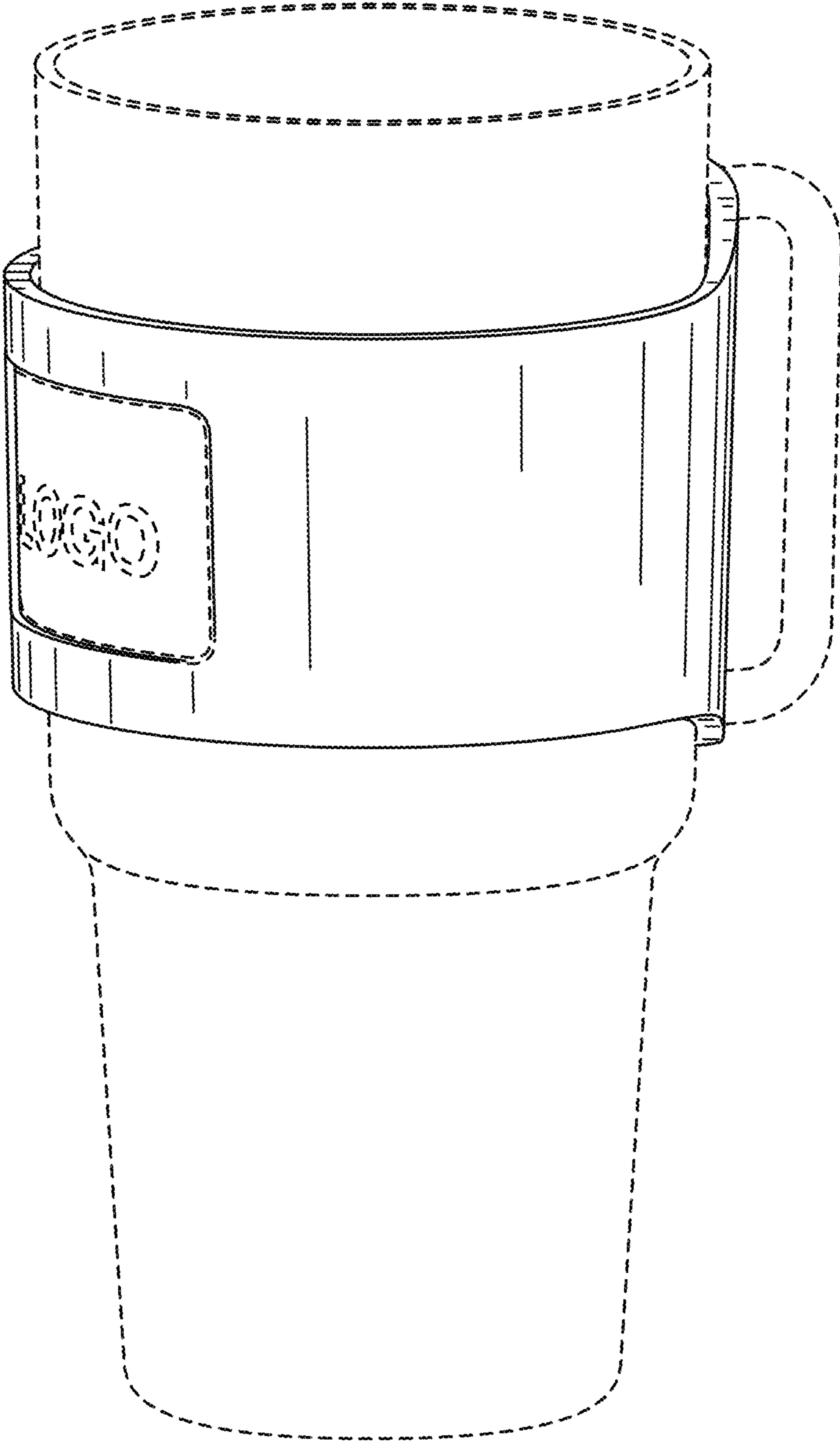


FIG. 7