

US00D792167S

(12) **United States Design Patent**
Bradley

(10) **Patent No.:** **US D792,167 S**

(45) **Date of Patent:** **** Jul. 18, 2017**

(54) **COOLER**

(71) Applicant: **SWELL INDUSTRIES LLC,**
Honolulu, HI (US)

(72) Inventor: **Todd Bradley,** Honolulu, HI (US)

(73) Assignee: **SWELL INDUSTRIES LLC,**
Honolulu, HI (US)

(**) Term: **15 Years**

(21) Appl. No.: **29/559,551**

(22) Filed: **Mar. 29, 2016**

(51) **LOC (10) Cl.** **07-01**

(52) **U.S. Cl.**
USPC **D7/607**

(58) **Field of Classification Search**
USPC D7/605-608, 709; D3/201, 232, 233,
D3/273, 283, 291
CPC A45C 3/04; A45C 7/004; A45C 13/008;
A45C 13/103; A45C 13/26; A45C 13/36;
B60Q 7/005; B65D 81/3897
See application file for complete search history.

(56) **References Cited**

U.S. PATENT DOCUMENTS

2,457,422 A * 12/1948 Warner A45C 3/04
383/10
D324,977 S * 3/1992 Rosson D3/232

5,337,947 A * 8/1994 Eskandry B60Q 7/005
206/459.5
D475,250 S * 6/2003 Crandall D7/607
D475,251 S * 6/2003 Crandall D7/607
D575,059 S * 8/2008 Cappiello D3/283
D695,571 S * 12/2013 Voitalla D7/601

* cited by examiner

Primary Examiner — Terry Wallace

(74) *Attorney, Agent, or Firm* — McCoy Russell LLP

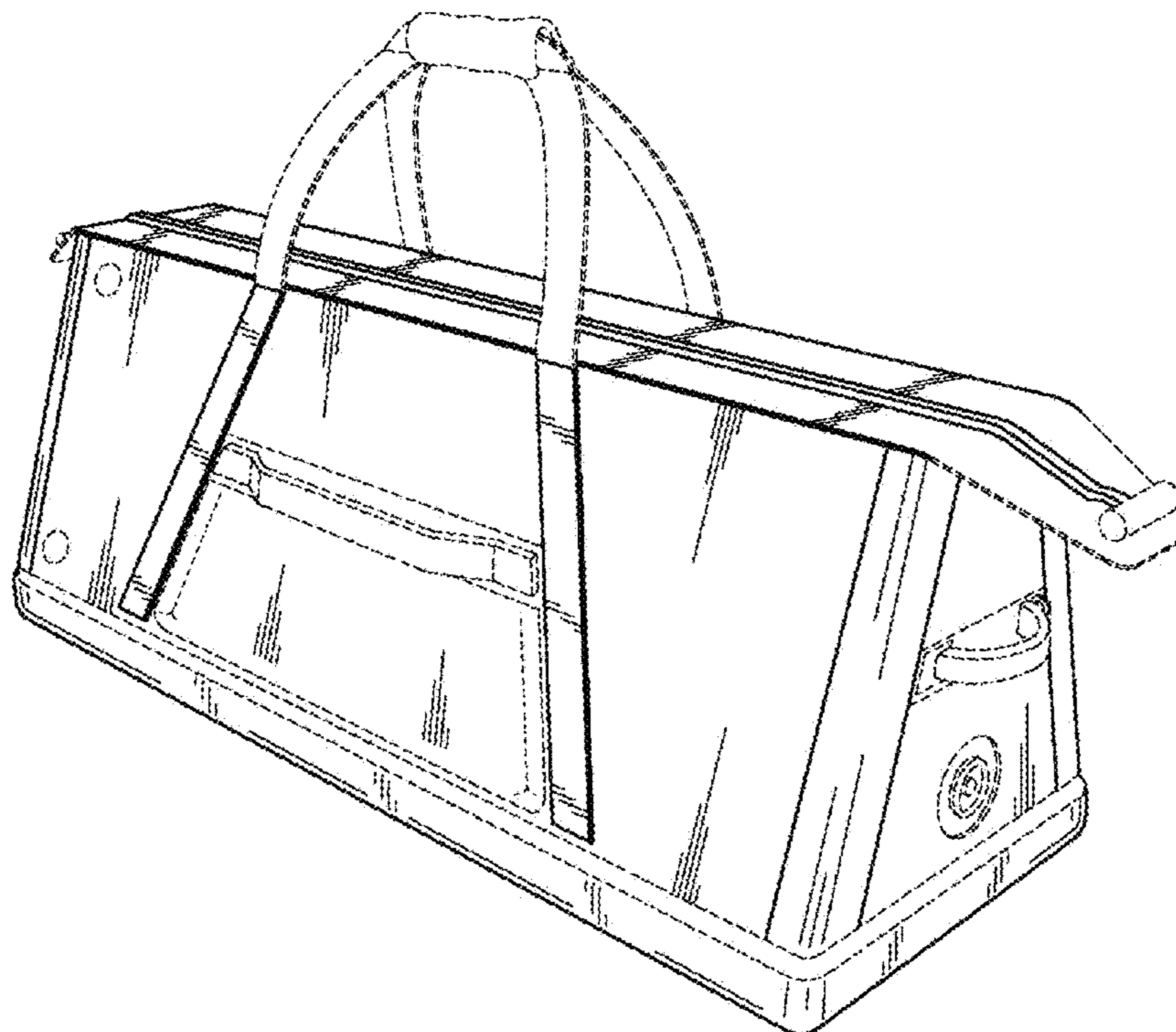
(57) **CLAIM**

The ornamental design for a cooler, as shown and described.

DESCRIPTION

FIG. 1 is a front, right side perspective view of a cooler showing my new design.
FIG. 2 is a top plan view thereof.
FIG. 3 is a front view thereof.
FIG. 4 is a rear view thereof.
FIG. 5 is a bottom plan view thereof.
FIG. 6 is a right side view thereof; and,
FIG. 7 is a left side view thereof.
The solid lines in FIGS. 1-7 illustrate a cooler according to the present invention. The broken lines in FIGS. 1-7 are for illustrative purposes only and form no part of the claimed design.

1 Claim, 4 Drawing Sheets



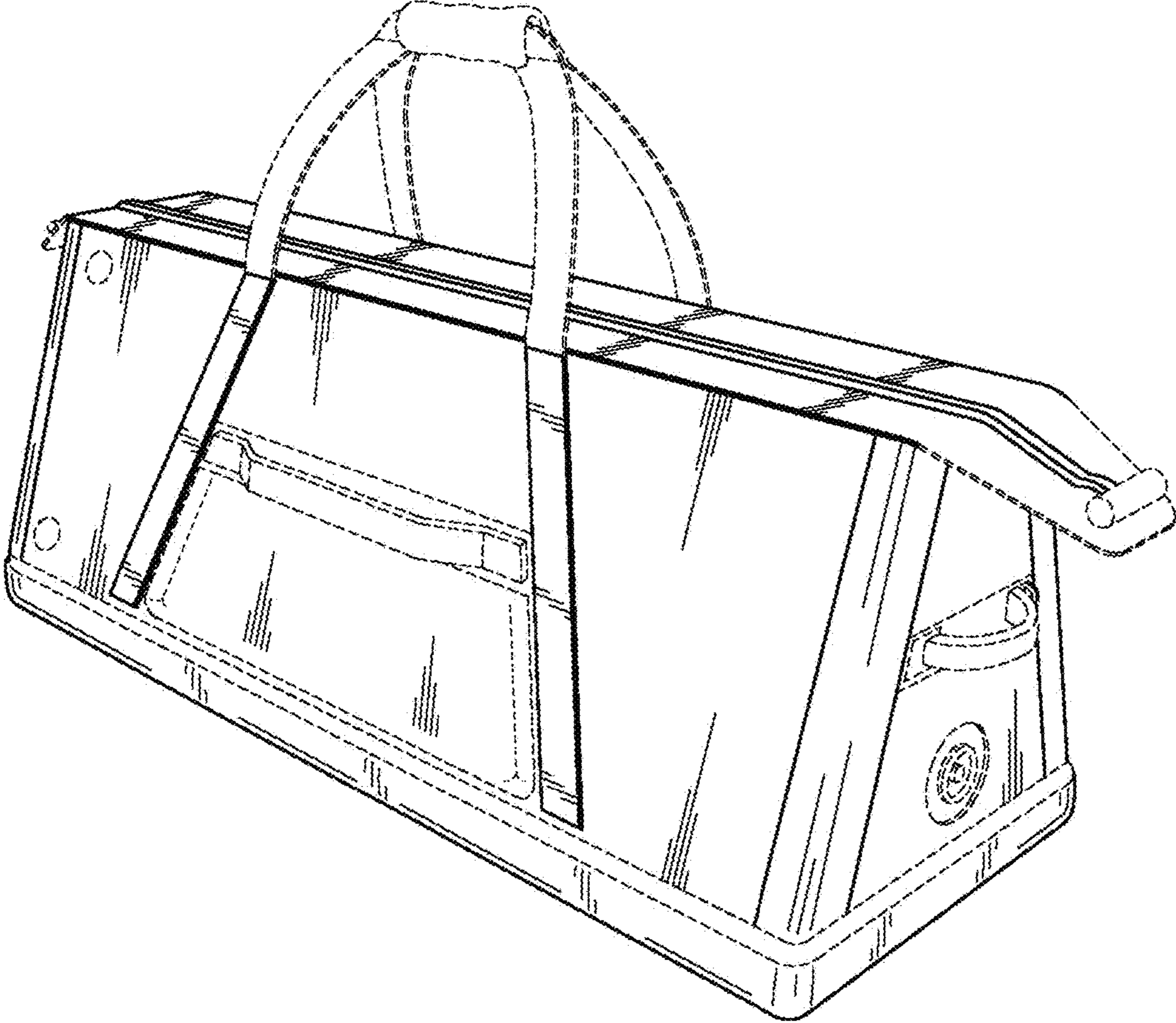


FIG. 1

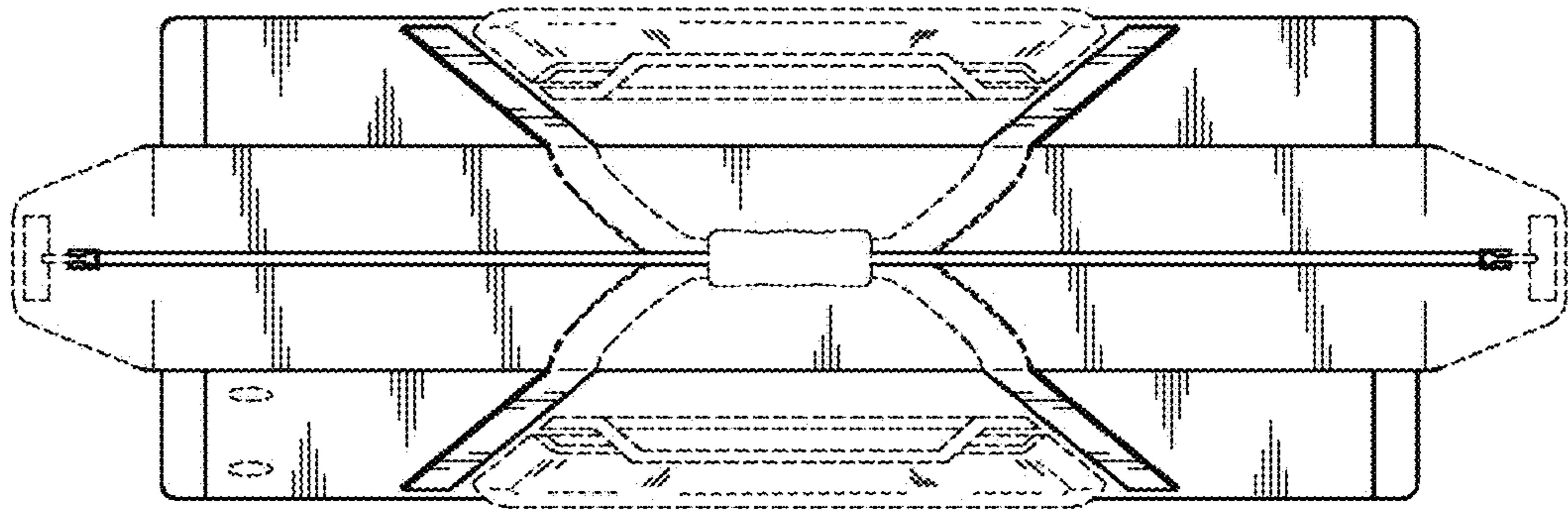


FIG. 2

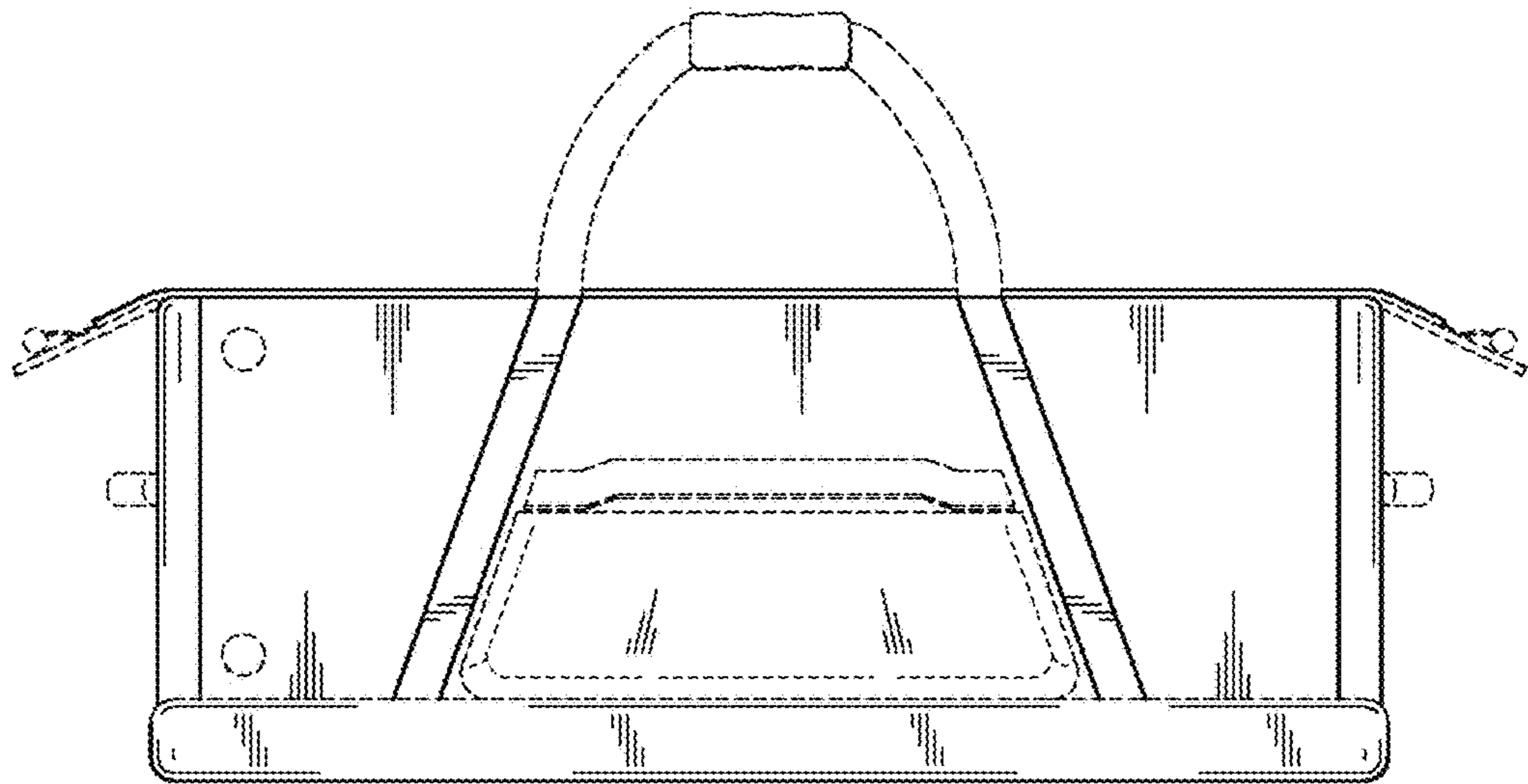


FIG. 3

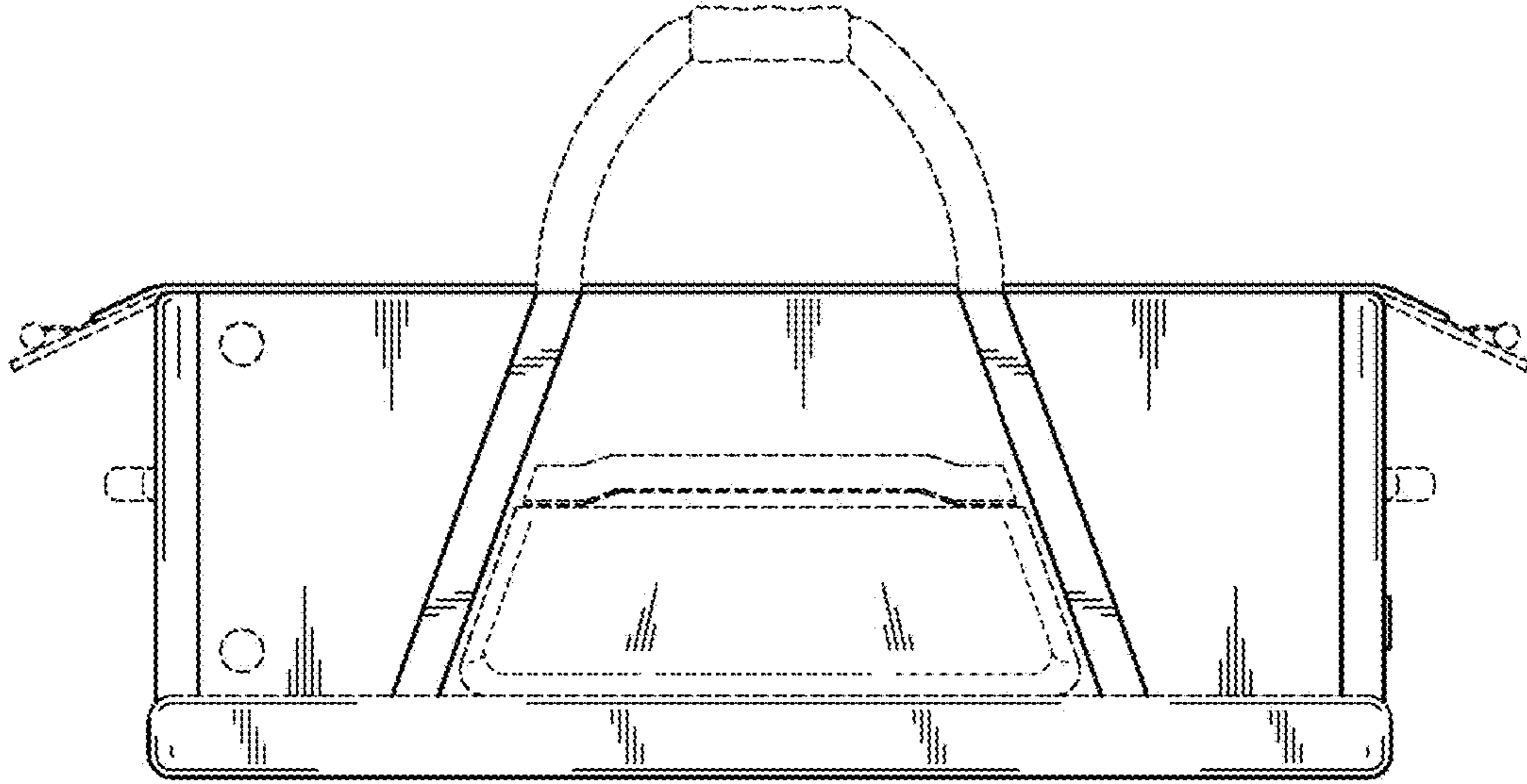


FIG. 4

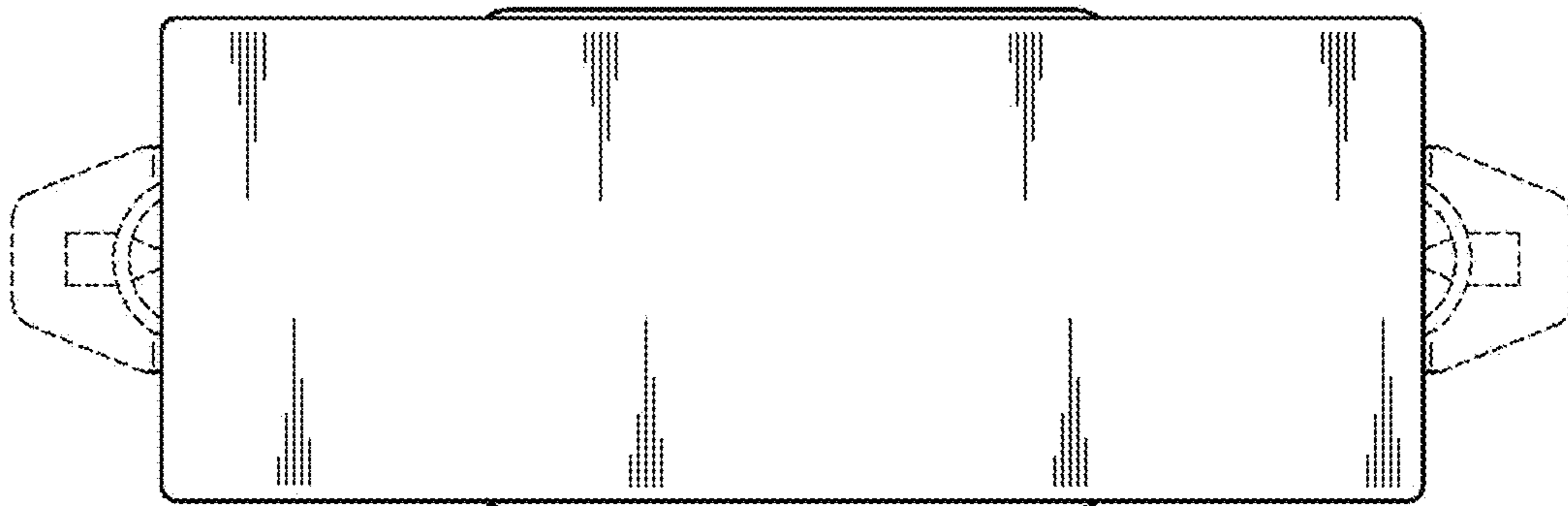


FIG. 5

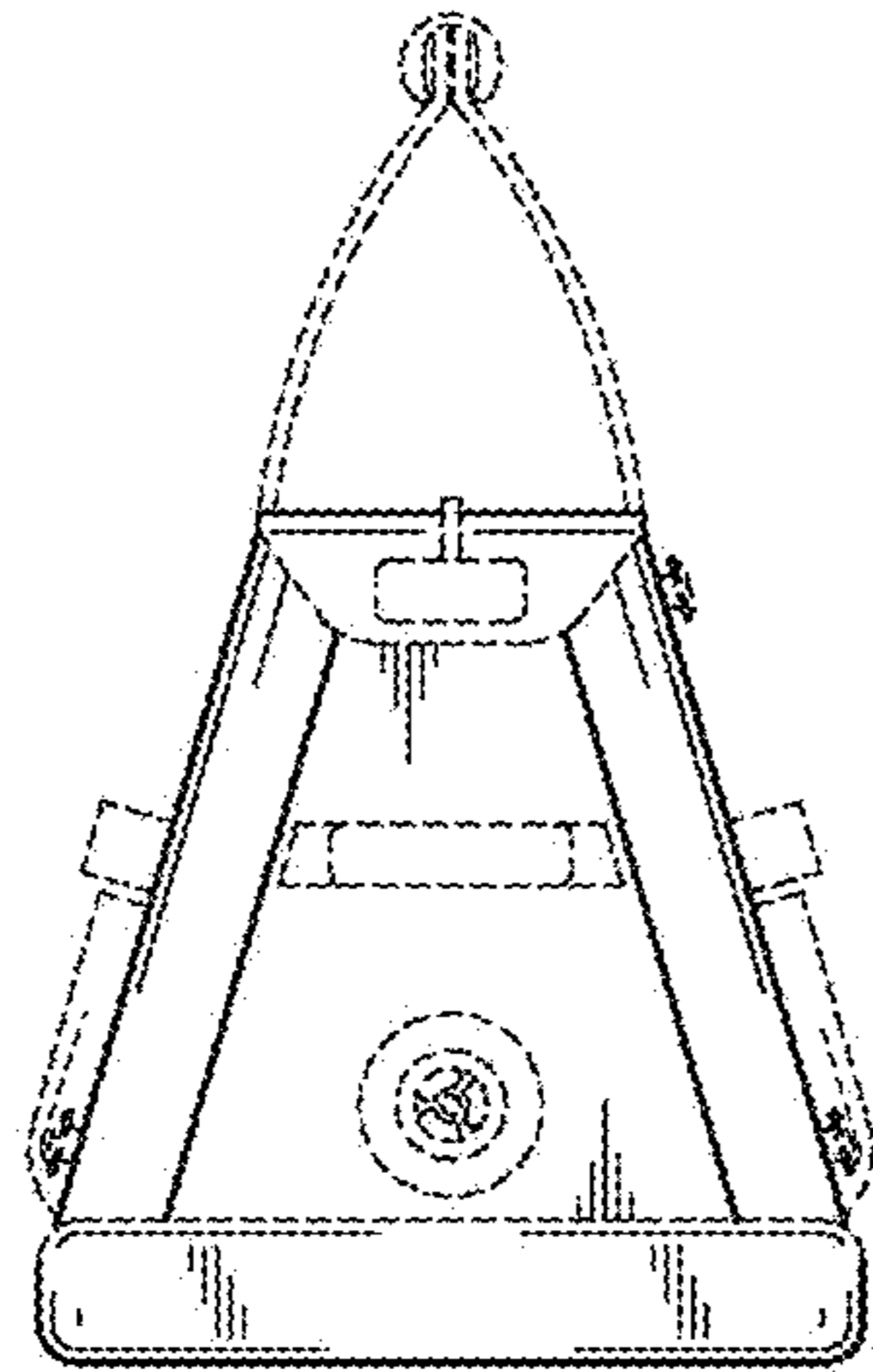


FIG. 6

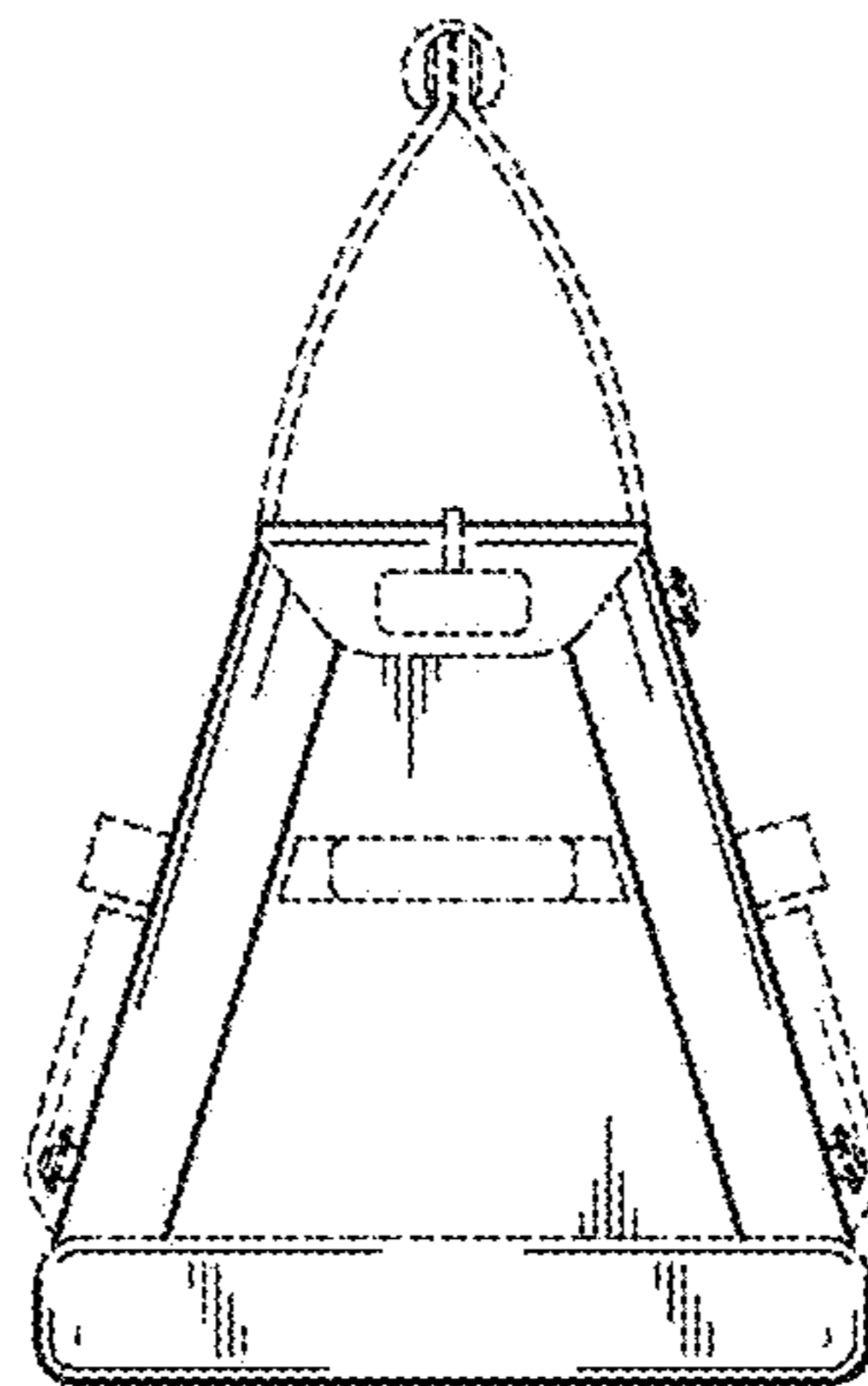


FIG. 7