

US00D792166S

(12) **United States Design Patent** (10) **Patent No.:** **US D792,166 S**
Kirsh et al. (45) **Date of Patent:** **** Jul. 18, 2017**

(54) **RECEPTACLE**
(71) Applicants: **Yitzchok Kirsh**, Lakewood, NJ (US);
Miriam Kirsh, Lakewood, NJ (US)
(72) Inventors: **Yitzchok Kirsh**, Lakewood, NJ (US);
Miriam Kirsh, Lakewood, NJ (US)
(**) Term: **15 Years**
(21) Appl. No.: **29/550,081**
(22) Filed: **Dec. 30, 2015**
(51) **LOC (10) Cl.** **07-01**
(52) **U.S. Cl.**
USPC **D7/601**
(58) **Field of Classification Search**
USPC D7/601, 602, 619.1, 629, 630, 365, 366,
D7/584, 586, 587
CPC A21B 3/13; A47G 23/0216; B65D 1/42;
A47J 27/002
See application file for complete search history.

D417,847 S * 12/1999 Rush D7/629
7,150,279 B2 * 12/2006 Cheng A47J 27/002
126/375.1
D553,913 S * 10/2007 Jackson D7/587
D598,238 S * 8/2009 Durdon D7/354
D628,443 S * 12/2010 McTaggart D7/545
D690,166 S * 9/2013 Montgomery D7/586
D699,078 S * 2/2014 Katterheinrich D7/587
2005/0017013 A1 * 1/2005 Peisach B65D 1/42
220/609

* cited by examiner

Primary Examiner — Terry Wallace
(74) *Attorney, Agent, or Firm* — Leora Meystelman, Esq.

(57) **CLAIM**

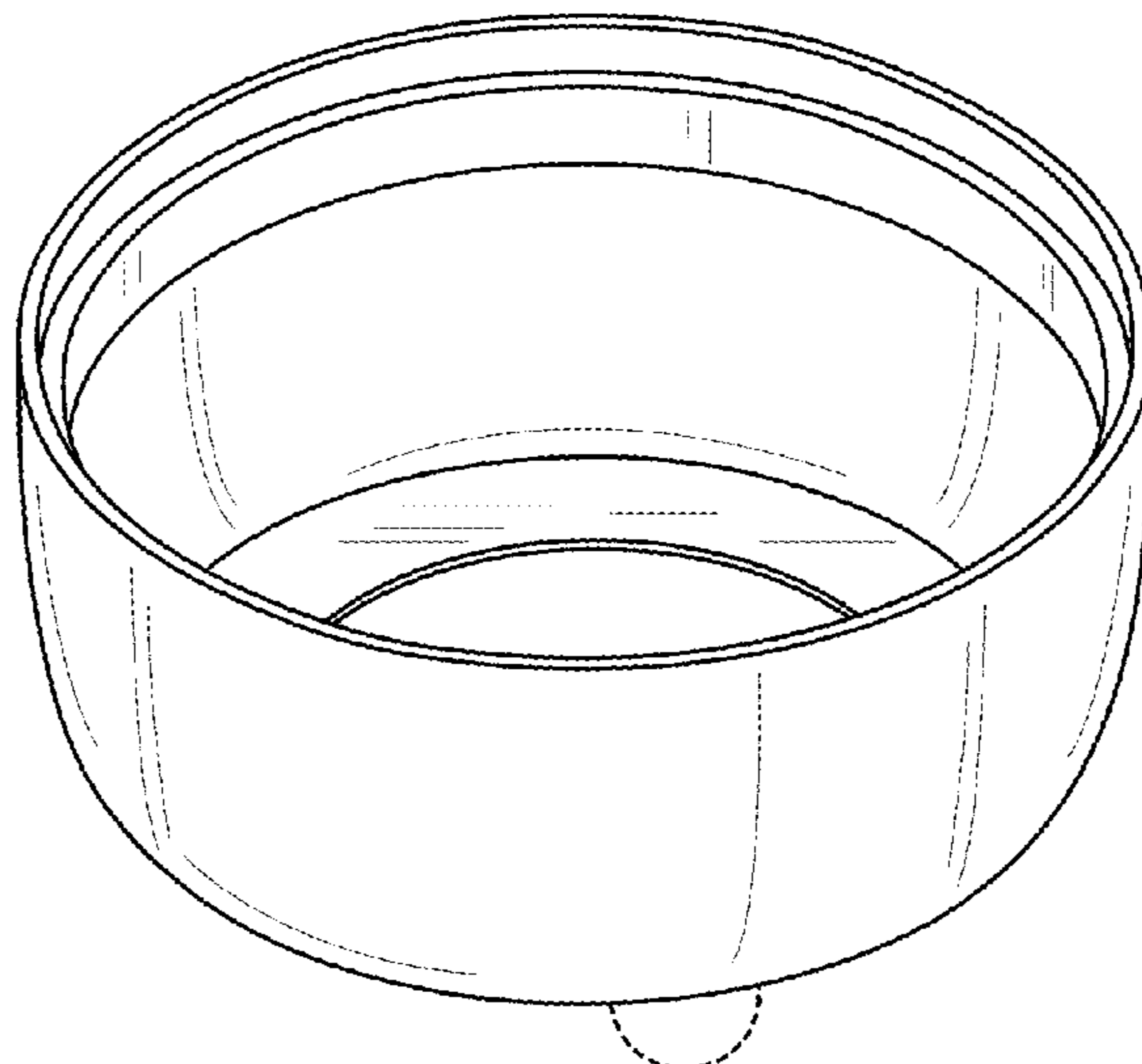
I claim the ornamental design for a receptacle, or the like, as shown and described.

DESCRIPTION

FIG. 1 is a top-front perspective view of the receptacle, showing the new design.
FIG. 2 is a top view thereof;
FIG. 3 is a bottom view;
FIG. 4 is a side view.
FIG. 5 is a mirror image of the side view of FIG. 4;
FIG. 6 is an additional side view.
FIG. 7 is a mirror image of the side view of FIG. 6; and,
FIG. 8 is a perspective top- front view showing a container that can be held by the receptacle.
The broken lines showing a container and round feet are for illustrative purposes only and form no part of the claimed design.

1 Claim, 5 Drawing Sheets

(56) **References Cited**
U.S. PATENT DOCUMENTS
1,567,234 A * 12/1925 Brucker A21B 3/13
206/804
D258,631 S * 3/1981 Lax D7/388
D276,114 S * 10/1984 Conti D7/354
5,143,247 A * 9/1992 Gavle A47G 23/0216
220/630
D334,874 S * 4/1993 Mealey D7/388
D348,589 S * 7/1994 Cautereels D7/558
D391,119 S * 2/1998 Rapaz D7/601



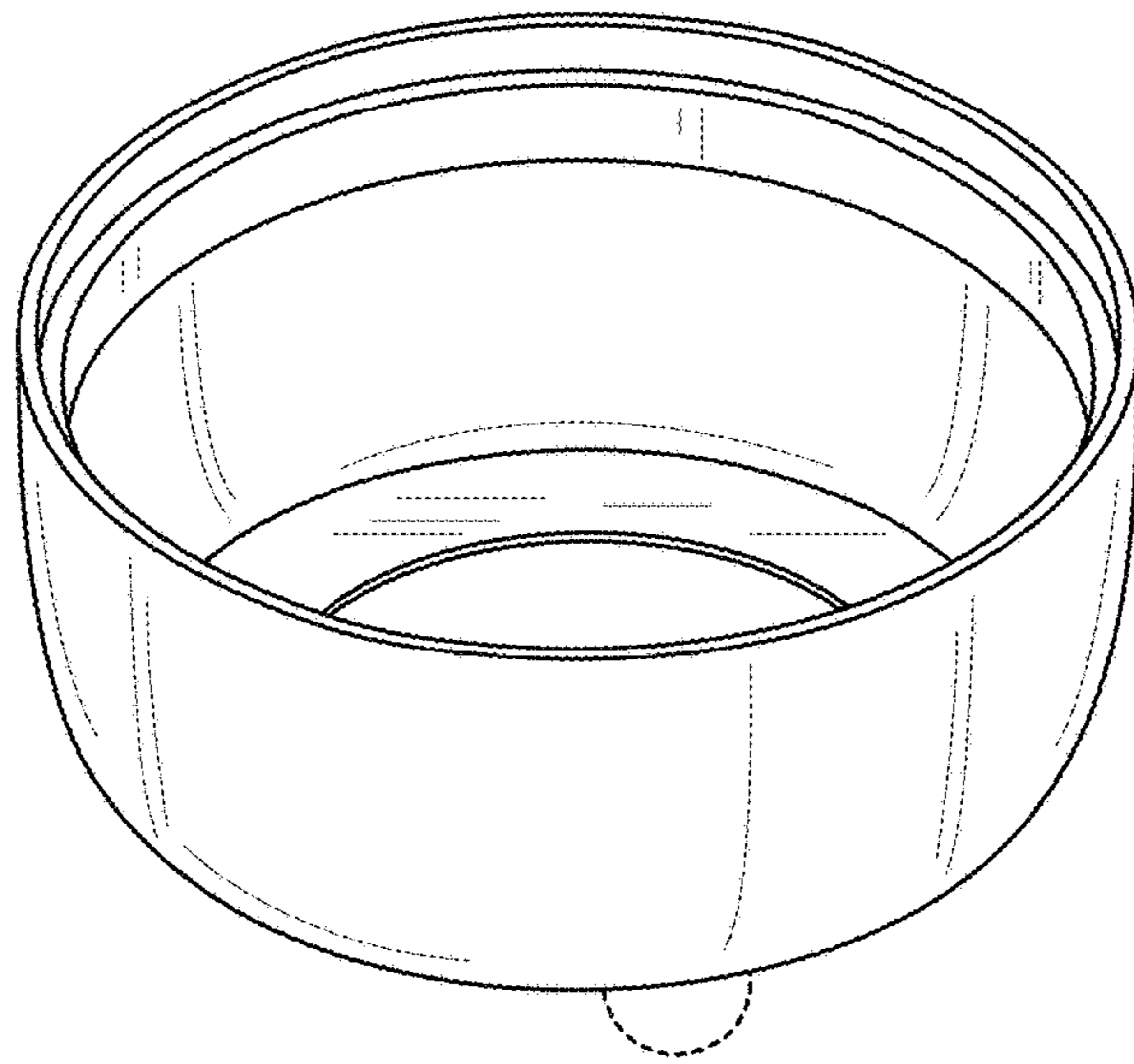


FIG. 1

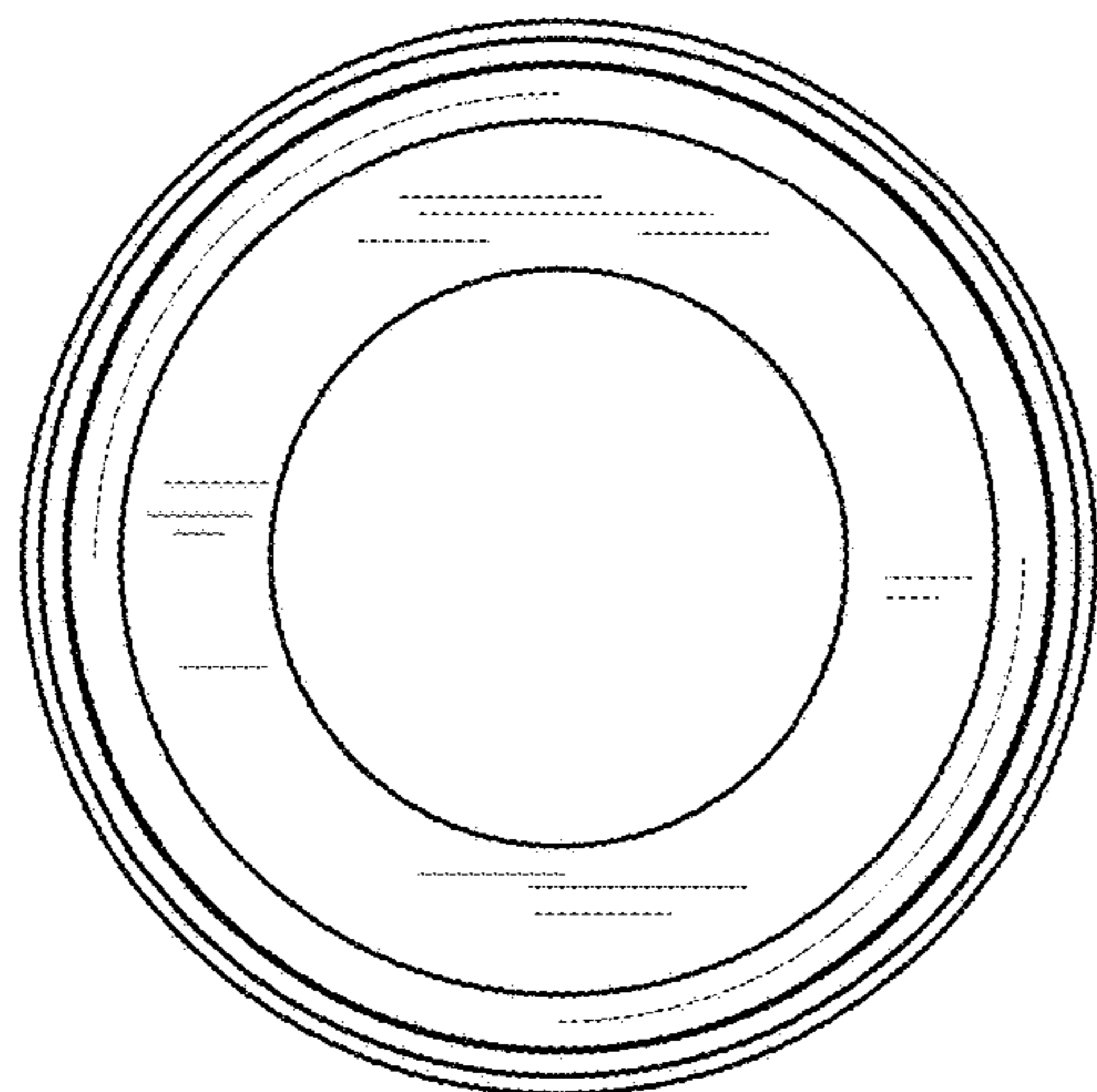


FIG. 2

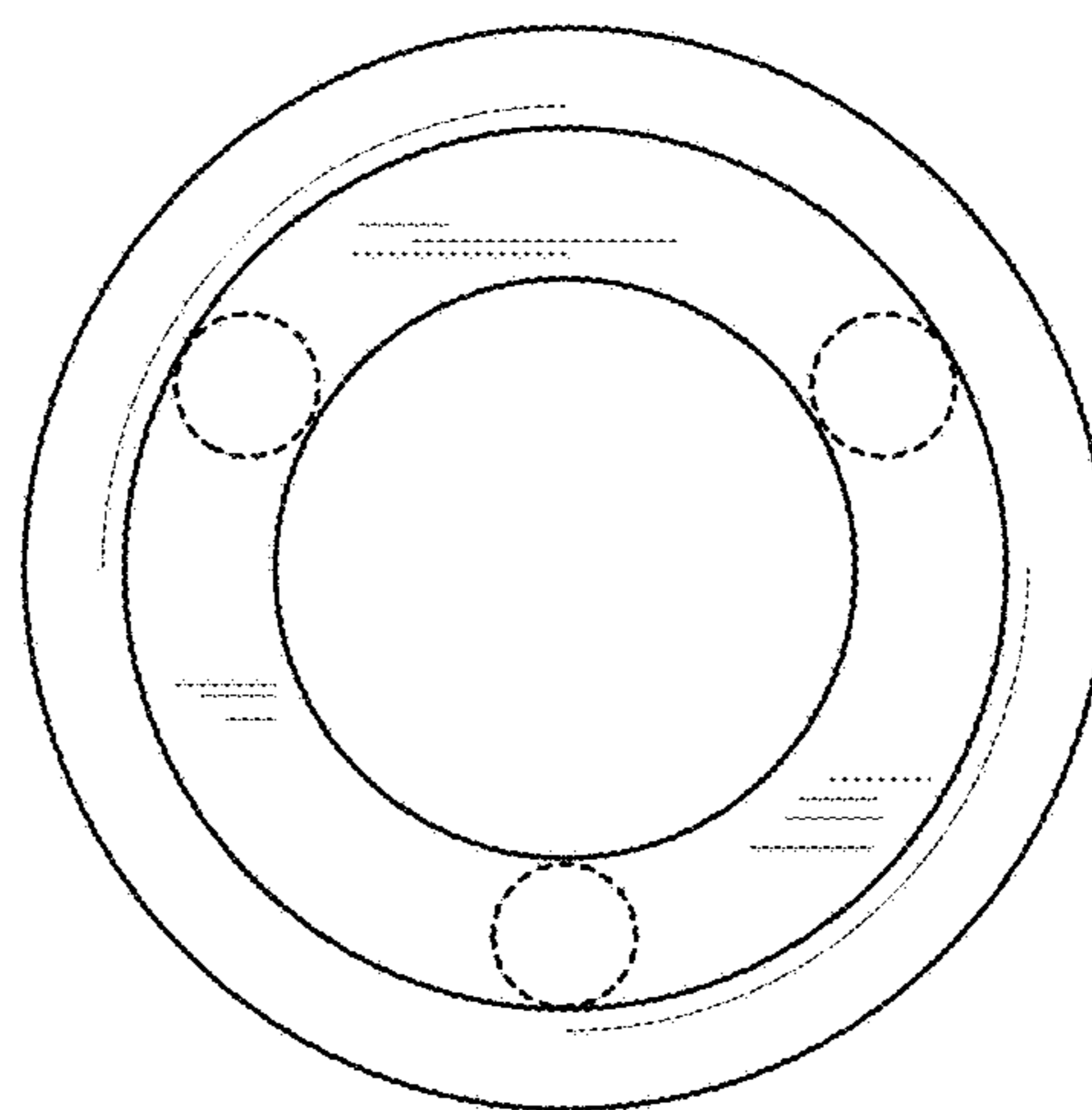


FIG. 3

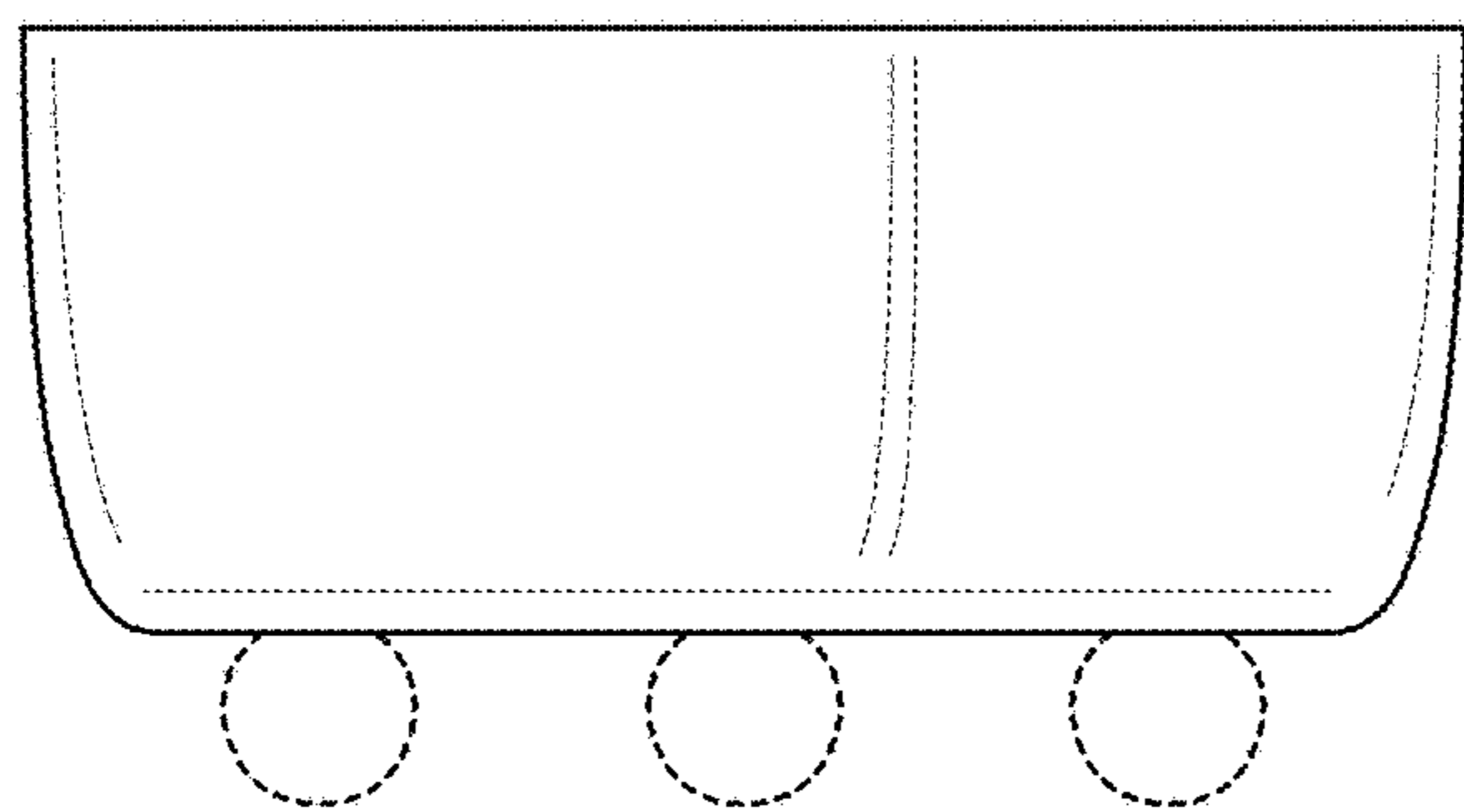


FIG. 4

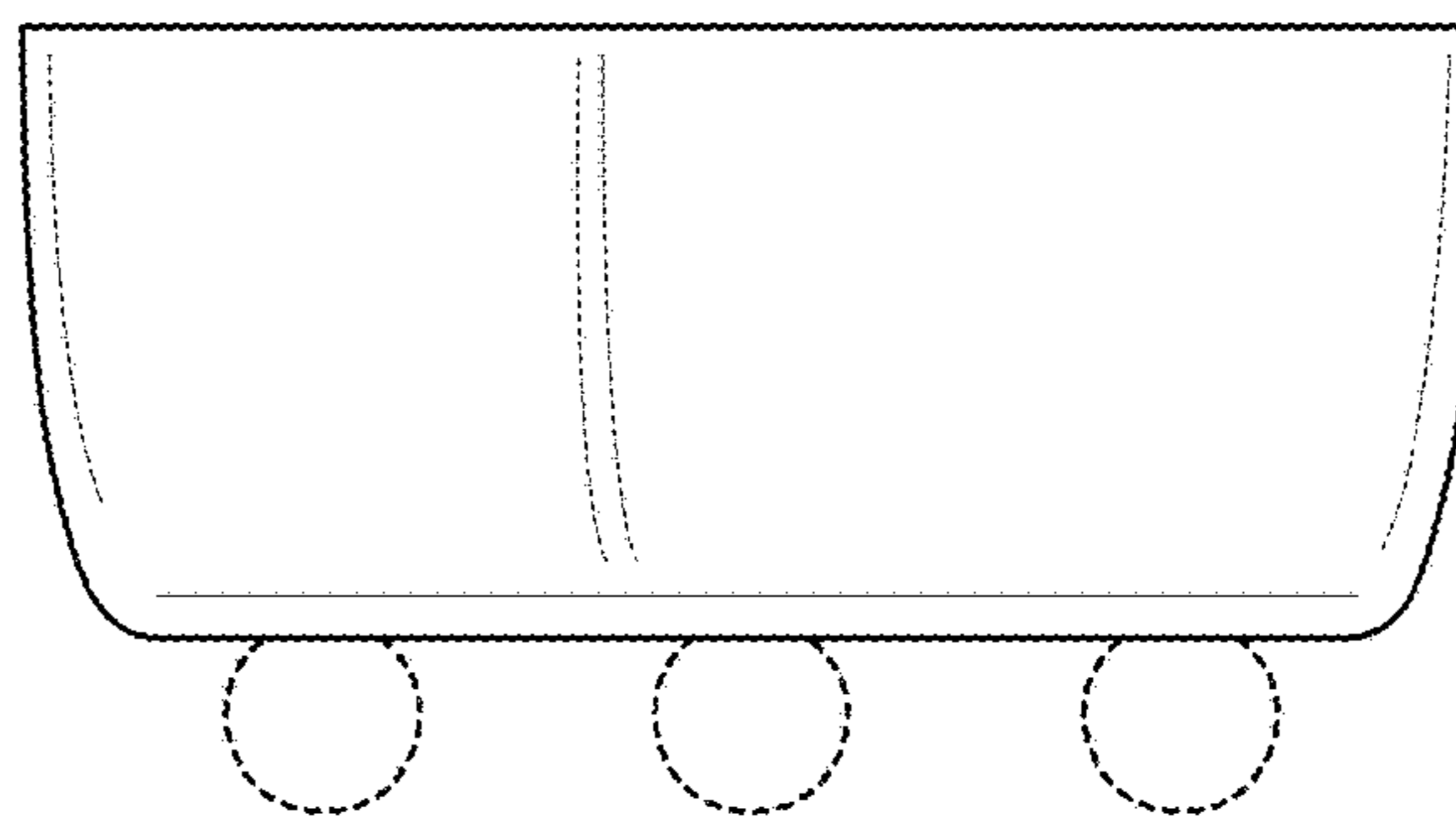


FIG. 5

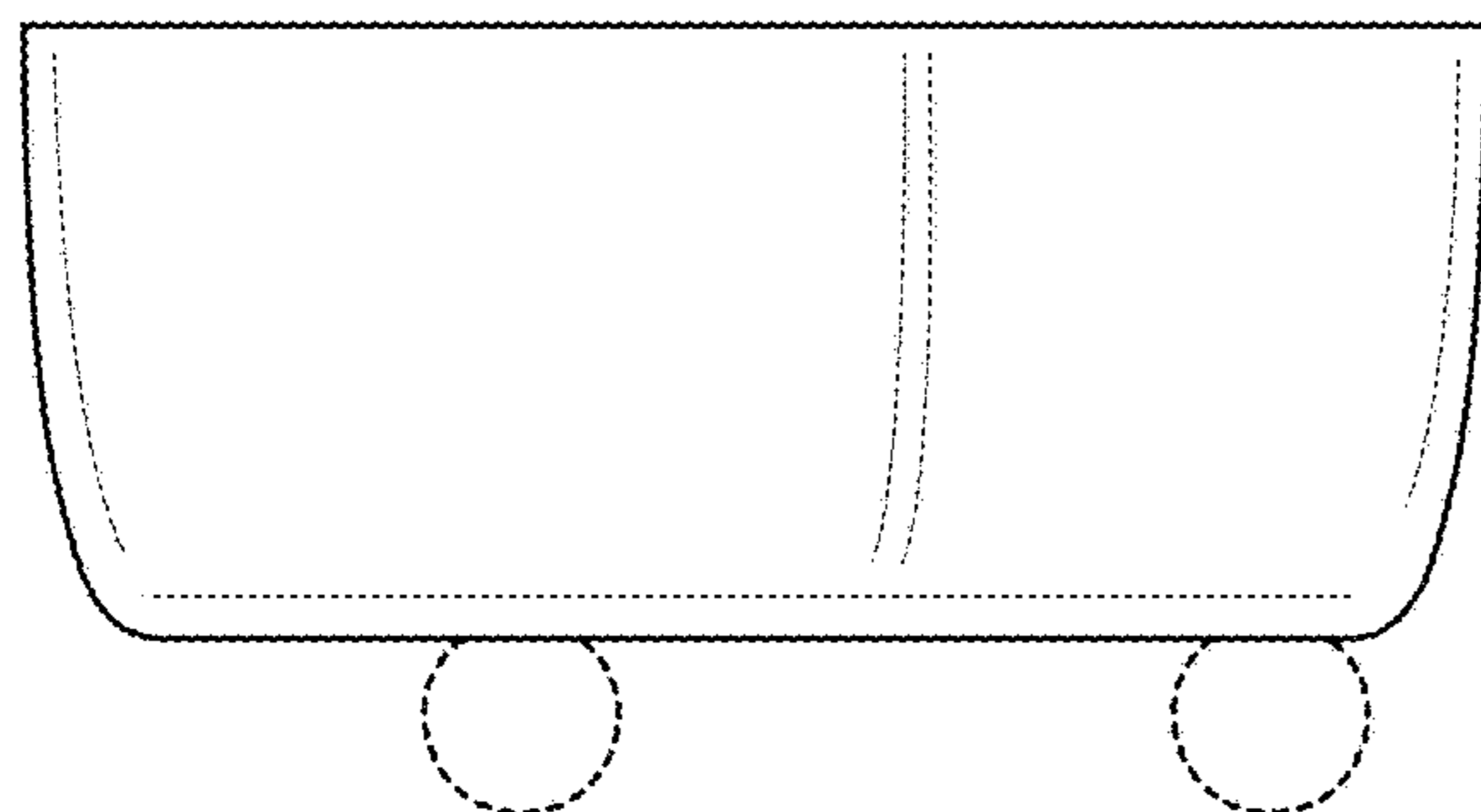


FIG. 6

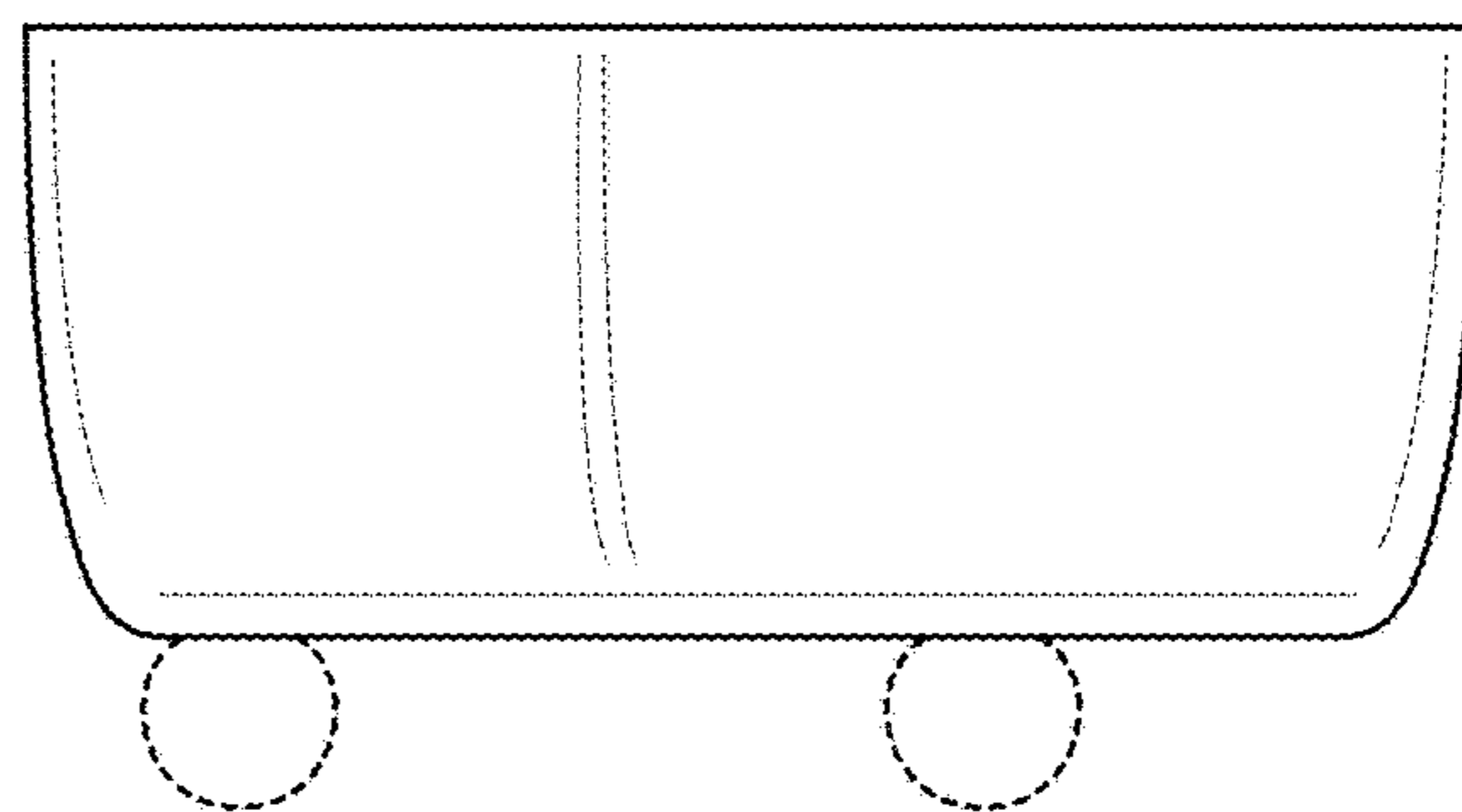


FIG. 7

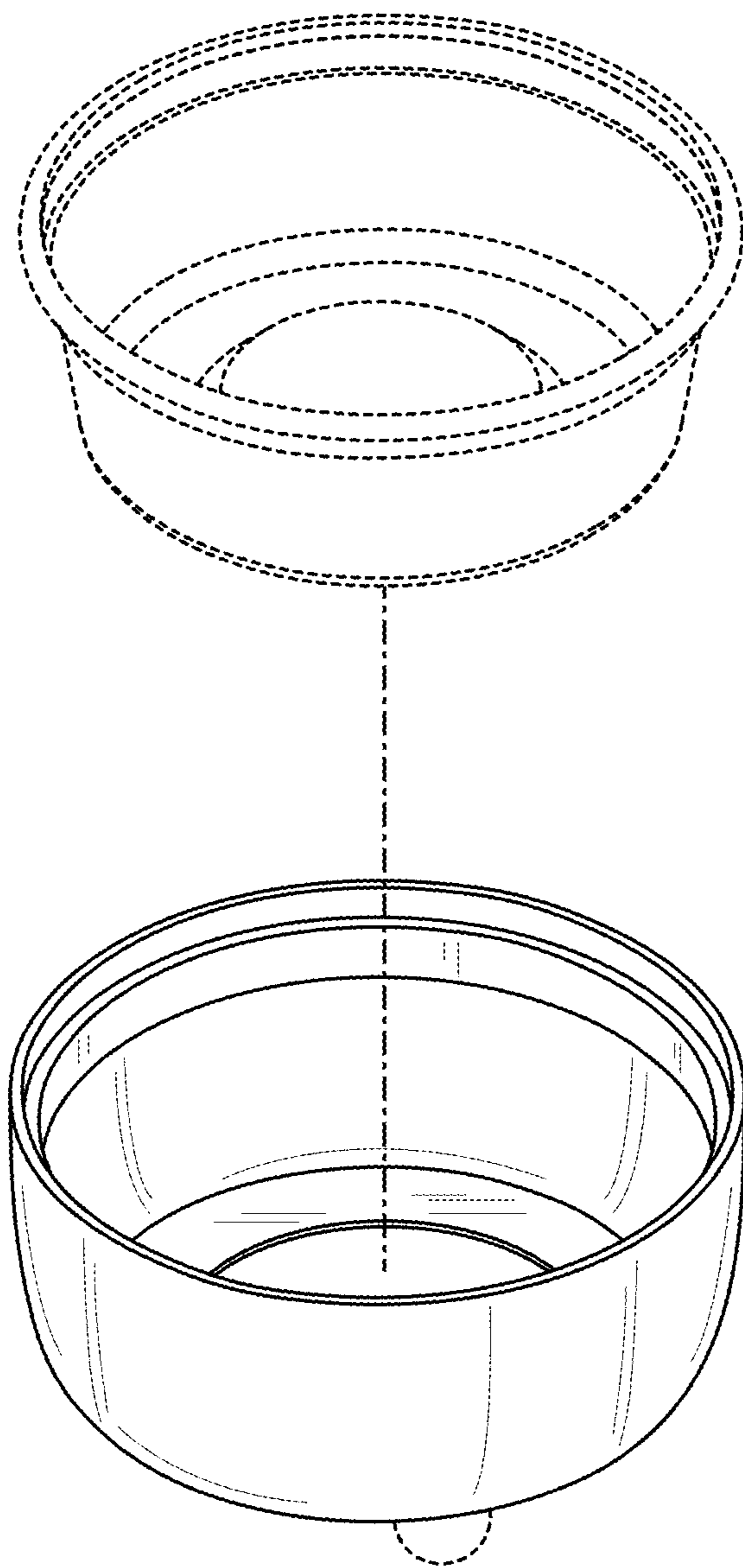


FIG. 8