

US00D792164S

(12) **United States Design Patent** (10) **Patent No.:** **US D792,164 S**
Mitchell et al. (45) **Date of Patent:** **** Jul. 18, 2017**

(54) **FOOD DISPENSER**

(71) Applicant: **Gehl Foods, Inc.**, Germantown, WI (US)
(72) Inventors: **Thomas Mitchell**, Chicago, IL (US); **Anders Olof Rostlund**, Chicago, IL (US); **David Mucci**, Chicago, IL (US)

(73) Assignee: **Gehl Foods, LLC**, Germantown, WI (US)

(**) Term: **14 Years**

(21) Appl. No.: **29/501,025**

(22) Filed: **Aug. 29, 2014**

(51) **LOC (10) Cl.** **07-06**

(52) **U.S. Cl.**
USPC **D7/589**

(58) **Field of Classification Search**
USPC D7/594, 590, 591, 592, 593, 595, 596, D7/597, 598, 599, 600, 300, 300.1, 300.2, D7/301, 302, 303, 304, 305, 312, 316, D7/317, 318, 319, 321, 322, 589, 601, D7/602, 613, 702, 703, 628, 629, 637, D7/638, 639, 368, 669, 309, 310, 311, D7/314, 320, 608; D9/600, 716, 719, D9/503, 505, 504, 439, 443, 447, 440, D9/454, 446, 436, 448, 449, 450, 451, D9/452, 453, 455; D20/1
CPC .. A47J 47/00; A47J 47/01; A47J 47/16; A47J 42/34; A47J 42/00; A47J 42/02; A47J 42/04; A47J 42/06; A47J 42/08; A47J 42/10; A47J 42/12; A47J 42/14; A47J 42/16; A47J 42/18; A47J 42/20; A47J 42/22; A47J 42/24; A47J 42/26; A47J 43/00; A47J 47/04; B65D 83/04; B65D 83/0409; B65D 83/0445; B65D 83/0418; B65D 83/0427; B65D 83/0436; B65D 83/0481; B65D 83/06; B65D 83/08; B65D 83/02; B65D 50/00; B65D 39/04; B65D 39/002; B65D 39/06; A47G 19/24;

A47G 19/00; A47G 19/12; A47G 19/122; A47G 19/125; A47G 19/127; A47G 19/18; A47G 19/20; A47G 19/14; A47G 19/32; A47G 19/34; G07F 1/00; G07F 7/00; G07F 11/002; G07F 11/005; G07F 11/007; A01K 5/0114; A01K 5/01; B67D 7/0266; B67D

(Continued)

(56) **References Cited**

U.S. PATENT DOCUMENTS

2,442,126 A 5/1948 Halstead
D173,909 S * 1/1955 Muller-Munk D7/309
(Continued)

FOREIGN PATENT DOCUMENTS

EP 0 538 91 2/1986
GB 2 154 991 9/1985

Primary Examiner — Ian Simmons
Assistant Examiner — Shannon Morgan
(74) *Attorney, Agent, or Firm* — Foley & Lardner LLP

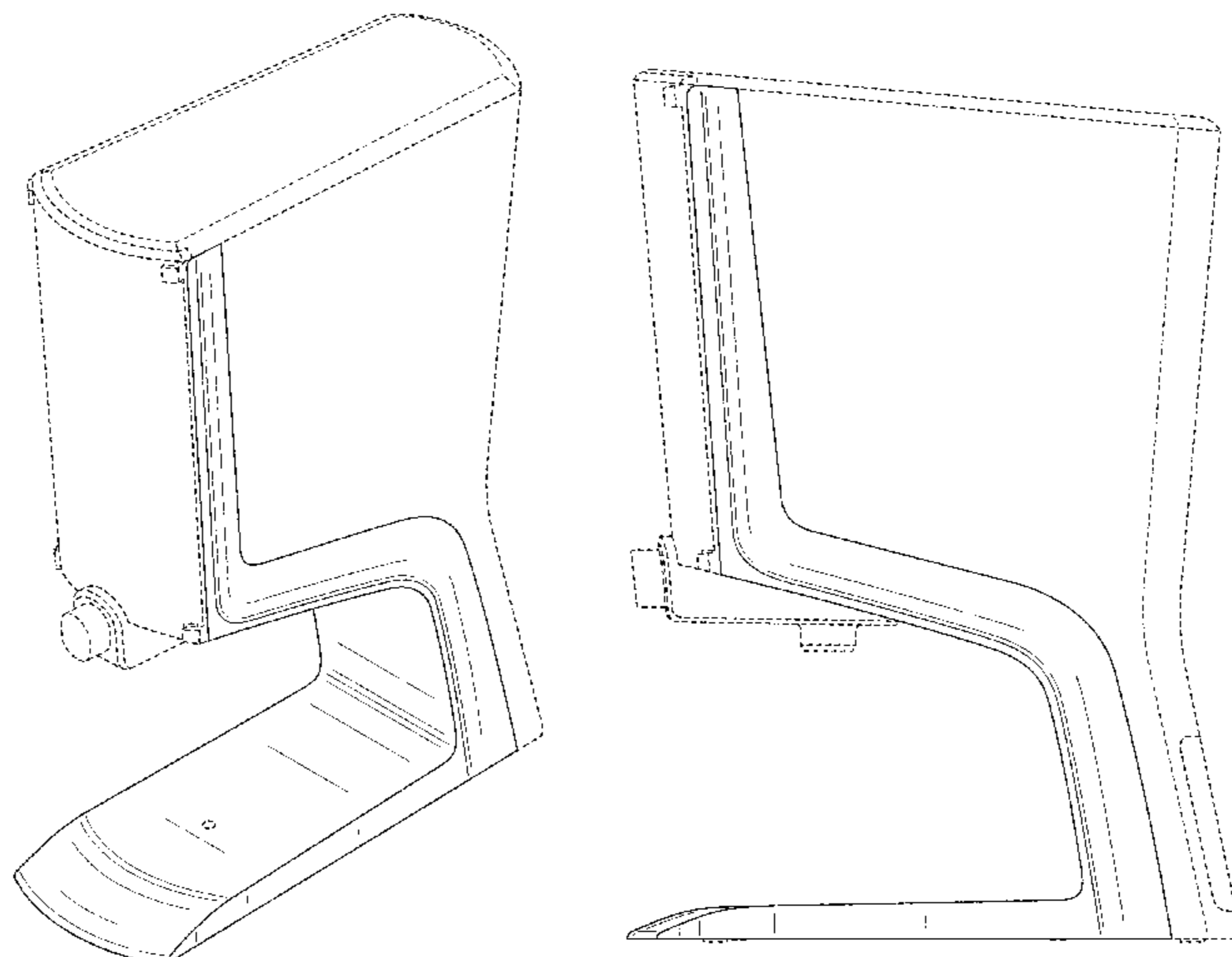
(57) **CLAIM**

We claim the ornamental design for a food dispenser, as shown and described.

DESCRIPTION

FIG. 1 is a top, front, right perspective view of the claimed design;
FIG. 2 is a front elevation view thereof;
FIG. 3 is a rear elevation view thereof;
FIG. 4 is a right elevation view thereof;
FIG. 5 is a left elevation view thereof;
FIG. 6 is a top plan view thereof; and,
FIG. 7 is a bottom plan view thereof.
The broken lines shown in FIGS. 1-7 represent portions of the food dispenser that form no part of the claimed design.

1 Claim, 5 Drawing Sheets



US D792,164 S

(58) **Field of Classification Search**

CPC .. 7/02; A47F 1/03; B65B 3/0035; A23G 9/22;
G01F 11/125; G01F 11/24

See application file for complete search history.

(56) **References Cited**

U.S. PATENT DOCUMENTS

2,737,880 A * 3/1956 Johnson A47J 31/54
99/282
2,775,368 A 12/1956 De Vries
D183,532 S * 9/1958 McCauley D7/311
D184,606 S * 3/1959 Cramer et al. D7/309
D185,626 S * 7/1959 Craig et al. D6/515
D185,833 S * 8/1959 Bruntjen D7/311
D194,658 S * 2/1963 Gilson D7/311
3,089,619 A 5/1963 Kass et al.
3,248,011 A * 4/1966 Brodsky B67D 3/0003
222/146.1
D205,702 S * 9/1966 Christine et al. D7/311
D209,127 S * 10/1967 Martin D7/309
3,387,903 A * 6/1968 Karlen A47J 31/103
312/228
3,445,039 A * 5/1969 Corini B67D 3/0077
222/146.1
D215,045 S * 8/1969 Benjamin D7/309
D220,303 S * 3/1971 Gran D15/81
D223,325 S * 4/1972 Mox D7/311
D231,808 S * 6/1974 Fossella D7/311
3,878,360 A * 4/1975 Augustine A47J 31/46
219/214
3,881,641 A 5/1975 Pliml et al.
3,924,777 A 12/1975 Peyser
4,018,357 A 4/1977 Ostrem
4,049,157 A 9/1977 Carson
D246,310 S * 11/1977 Syverson D7/309
D253,987 S * 1/1980 Painter D7/309
D254,184 S * 2/1980 Martin D7/311
4,214,675 A 7/1980 Schmit
4,322,019 A 3/1982 Smith
D265,653 S * 8/1982 Arzberger D7/311
4,417,672 A 11/1983 Eppenbach
D272,976 S * 3/1984 LaLumiere D7/311
4,440,316 A 4/1984 Christine
4,446,988 A * 5/1984 Chronis A47J 47/01
222/309
D274,779 S * 7/1984 LaLumiere D7/306
4,497,351 A 2/1985 Garcia
4,513,885 A * 4/1985 Hogan B67D 7/0205
222/105
D282,617 S * 2/1986 Hogan D7/308
4,621,750 A 11/1986 Roethel
4,690,307 A 9/1987 Hogan
4,776,488 A 10/1988 Gurzan
4,795,062 A 1/1989 Bedwell et al.
4,846,236 A 7/1989 Deruntz
4,925,034 A 5/1990 Robichaud et al.
D309,395 S * 7/1990 Thompson D7/311
4,946,040 A 8/1990 Ipenburg
4,961,508 A 10/1990 Weimer et al.
4,997,108 A 3/1991 Hata
5,096,092 A * 3/1992 Devine B67D 1/0462
222/105
5,150,802 A 9/1992 Jeffers
5,158,210 A 10/1992 Du
D332,200 S * 1/1993 Credle, Jr. D7/311
5,230,443 A 7/1993 Du
5,325,995 A 7/1994 Harrison et al.
5,337,775 A 8/1994 Lane et al.
5,350,083 A 9/1994 Du
5,361,943 A 11/1994 Du
5,428,066 A 6/1995 Larnar et al.
D359,874 S * 7/1995 Smith D7/308
5,429,681 A 7/1995 Mesenbring
5,435,463 A 7/1995 Hodgson
5,435,466 A 7/1995 Du

D365,962 S * 1/1996 Amundsen D7/306
5,490,613 A 2/1996 Taylor et al.
D375,431 S * 11/1996 Credle, Jr. D7/306
5,573,047 A 11/1996 Akin
5,579,945 A 12/1996 Ichikawa et al.
5,579,959 A 12/1996 Bennett et al.
5,622,484 A 4/1997 Taylor-McCune et al.
5,624,056 A 4/1997 Martindale
5,752,319 A 5/1998 Su et al.
5,803,317 A 9/1998 Wheeler
5,833,120 A 11/1998 Evans et al.
5,836,482 A 11/1998 Ophardt et al.
5,845,812 A 12/1998 Morrison
6,003,733 A 12/1999 Wheeler
6,016,935 A 1/2000 Huegerich et al.
6,036,166 A 3/2000 Olson
6,082,587 A 7/2000 Martindale et al.
6,089,406 A 7/2000 Feldner
6,138,878 A 10/2000 Savage et al.
6,158,623 A 12/2000 Benavides et al.
6,189,736 B1 2/2001 Phallen et al.
6,193,111 B1 2/2001 Adams
6,196,420 B1 3/2001 Gutierrez et al.
6,227,420 B1 5/2001 Jepson
6,273,297 B1 8/2001 Schalow et al.
6,345,734 B2 2/2002 Schalow et al.
6,405,897 B1 6/2002 Jepson et al.
6,488,179 B1 12/2002 Vujicic et al.
6,691,894 B2 2/2004 Chrisman et al.
6,722,530 B1 4/2004 King et al.
6,814,262 B1 11/2004 Adams et al.
6,860,407 B2 3/2005 Gosselin
6,871,015 B2 3/2005 Gutierrez et al.
D509,137 S 9/2005 Hierzer et al.
6,938,801 B1 9/2005 Reddy et al.
D515,919 S 2/2006 Hierzer et al.
7,025,230 B1 4/2006 Salmela
7,278,553 B2 10/2007 Py et al.
7,322,491 B2 1/2008 Py et al.
7,357,277 B2 4/2008 Verespej et al.
7,651,015 B2 1/2010 Girard et al.
7,731,060 B2 6/2010 Jones
7,789,269 B2 9/2010 Pritchard
7,828,020 B2 11/2010 Girard et al.
7,850,051 B2 12/2010 Py et al.
7,980,424 B2 7/2011 Johnson
8,091,735 B2 1/2012 Girard et al.
8,146,780 B2 4/2012 Compton et al.
8,205,771 B2 6/2012 Compton
8,206,034 B2 6/2012 Keen et al.
8,353,428 B2 1/2013 Pritchard
8,474,495 B2 7/2013 Singleton et al.
8,528,807 B2 9/2013 Kaneko
D731,839 S * 6/2015 Tomasson D7/306
D732,330 S * 6/2015 Cha D7/306
2002/0092879 A1 7/2002 Chrisman et al.
2002/0179605 A1 12/2002 Miani et al.
2003/0116584 A1 6/2003 Gutierrez et al.
2004/0222233 A1 11/2004 Gosselin
2004/0238563 A1 12/2004 Lin
2005/0167443 A1 8/2005 Sanfilippo et al.
2005/0167444 A1 8/2005 Sanfilippo et al.
2005/0252937 A1 11/2005 Gehl et al.
2006/0071020 A1 4/2006 Wiesner et al.
2006/0138167 A1 6/2006 McMahon et al.
2007/0029343 A1 2/2007 Sanfilippo et al.
2008/0078781 A1 4/2008 Py et al.
2008/0083788 A1 4/2008 Py et al.
2008/0105701 A1 5/2008 Niss et al.
2008/0116225 A1 5/2008 Py et al.
2008/0116226 A1 5/2008 Py et al.
2008/0169309 A1 7/2008 Kroeger
2008/0314923 A1 12/2008 Faller et al.
2009/0020559 A1 1/2009 Sanfilippo et al.
2009/0283541 A1 11/2009 Compton et al.
2010/0038380 A1 2/2010 Compton
2010/0147884 A1 6/2010 Compton et al.
2010/0176155 A1 7/2010 Baron et al.
2010/0264146 A1 10/2010 Casale et al.

(56)

References Cited

U.S. PATENT DOCUMENTS

| | | | | |
|--------------|-----|---------|----------------|--------------------------|
| 2010/0288767 | A1 | 11/2010 | Seelhofer | |
| 2011/0024463 | A1 | 2/2011 | Py et al. | |
| 2011/0042410 | A1 | 2/2011 | Paulen | |
| 2012/0046785 | A1 | 2/2012 | Deo et al. | |
| 2012/0152976 | A1 | 6/2012 | Yoshida et al. | |
| 2012/0211519 | A1 | 8/2012 | Hauner et al. | |
| 2014/0069963 | A1* | 3/2014 | Stein | B67D 3/0009 222/481.5 |
| 2015/0102057 | A1* | 4/2015 | Gehl | A47G 19/183 222/81 |

* cited by examiner

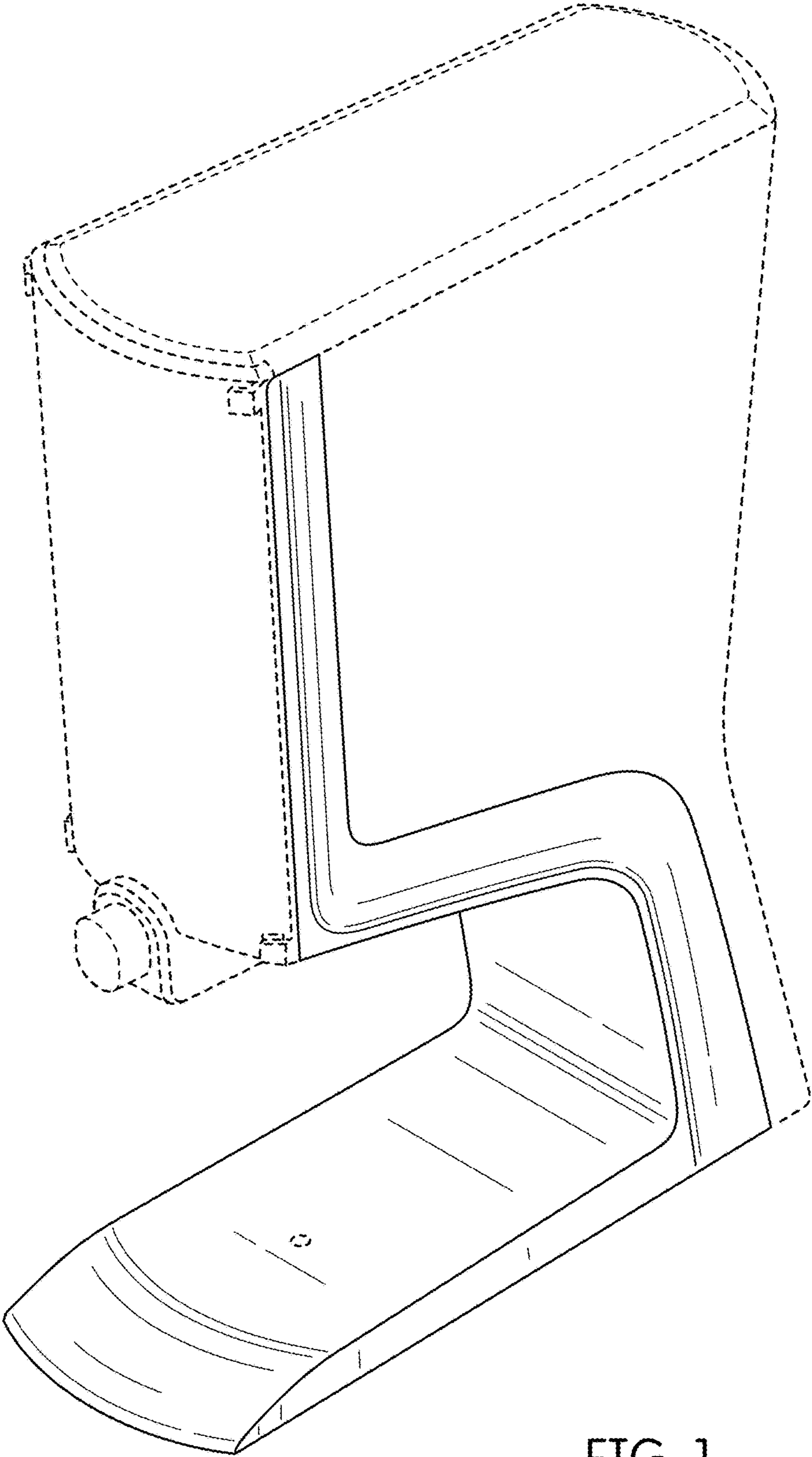


FIG. 1

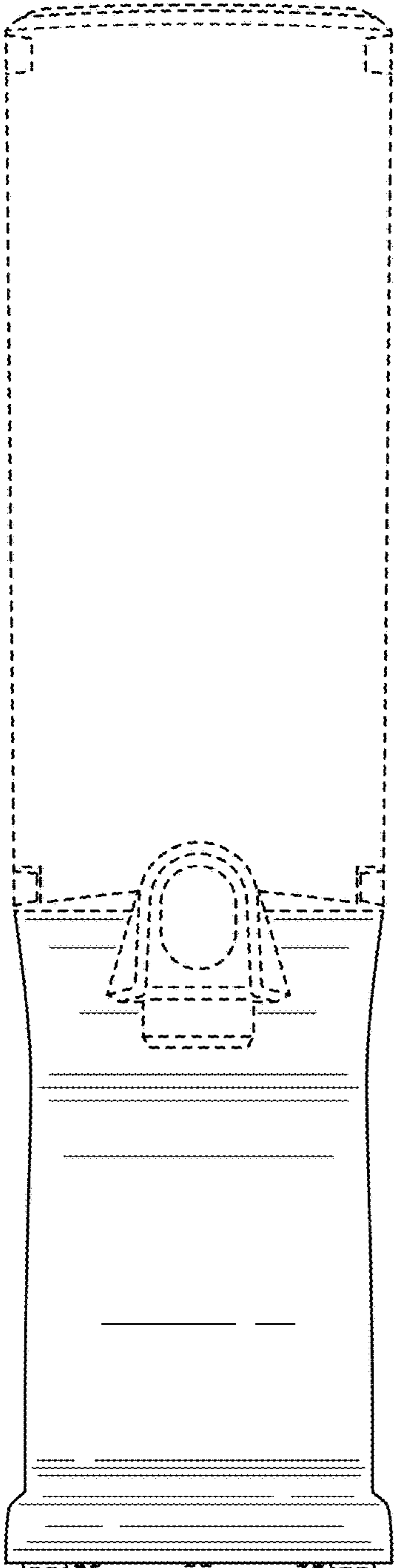


FIG. 2

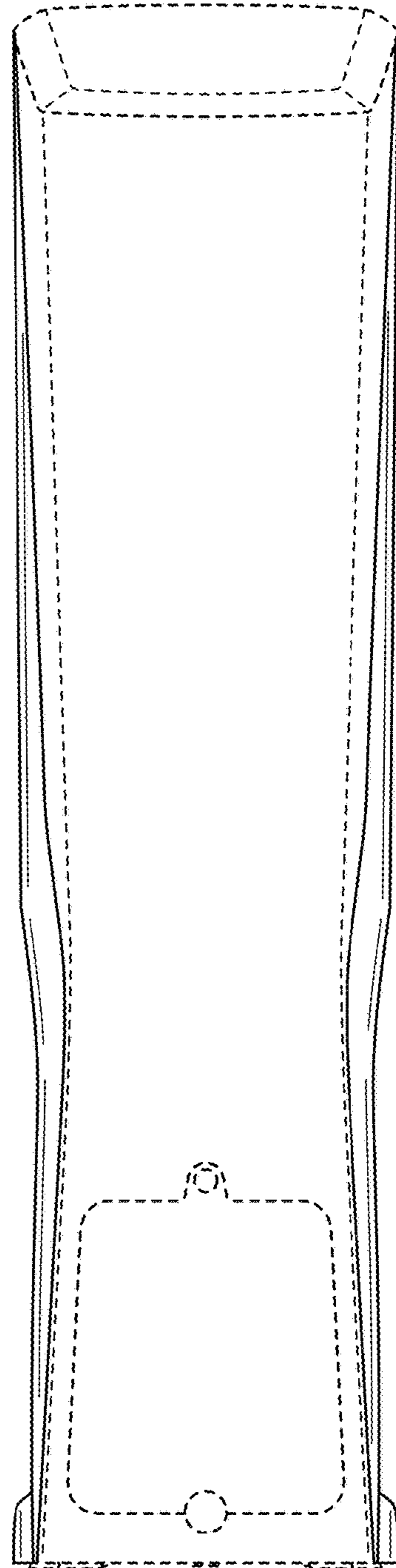


FIG. 3

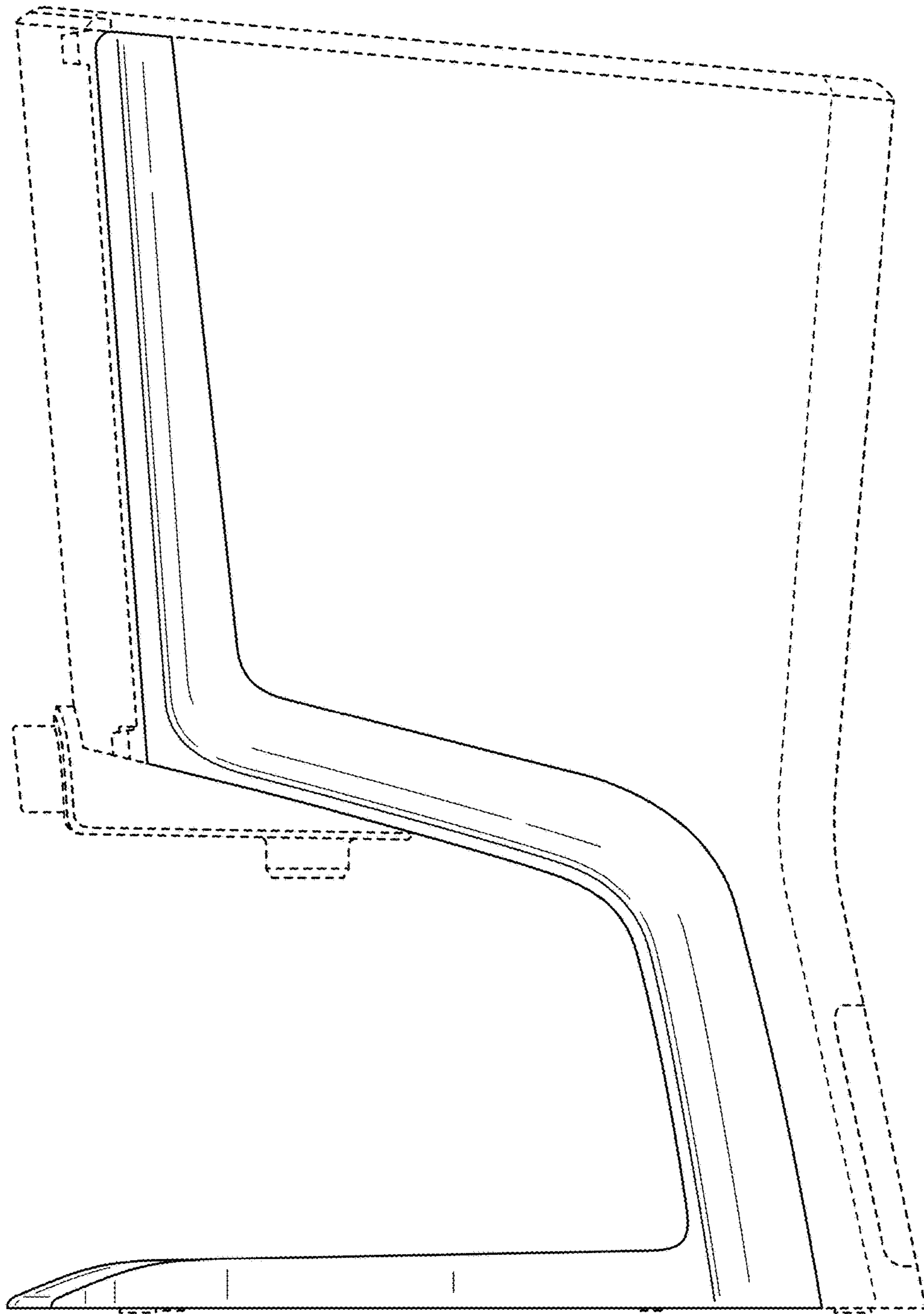


FIG. 4

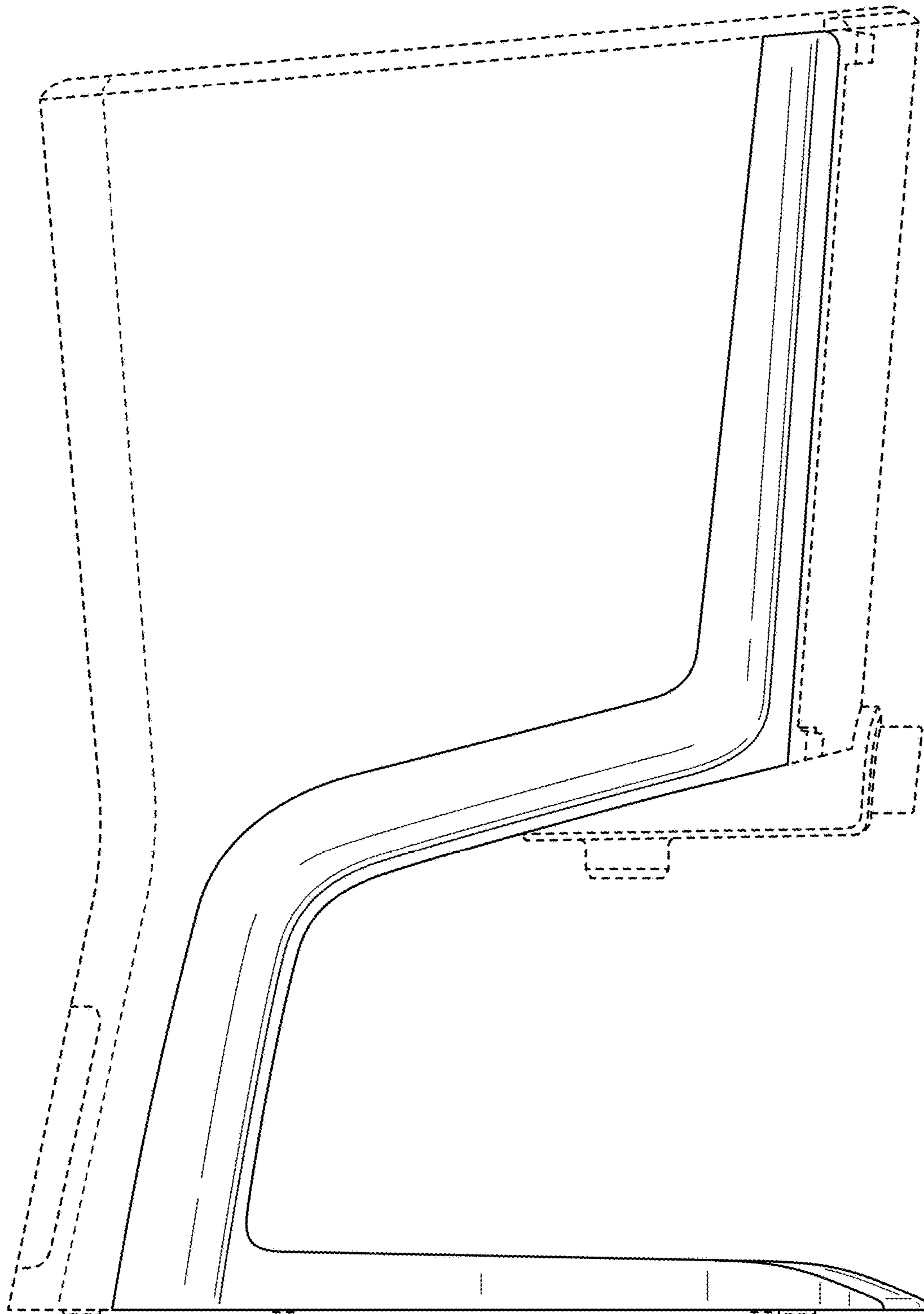


FIG. 5

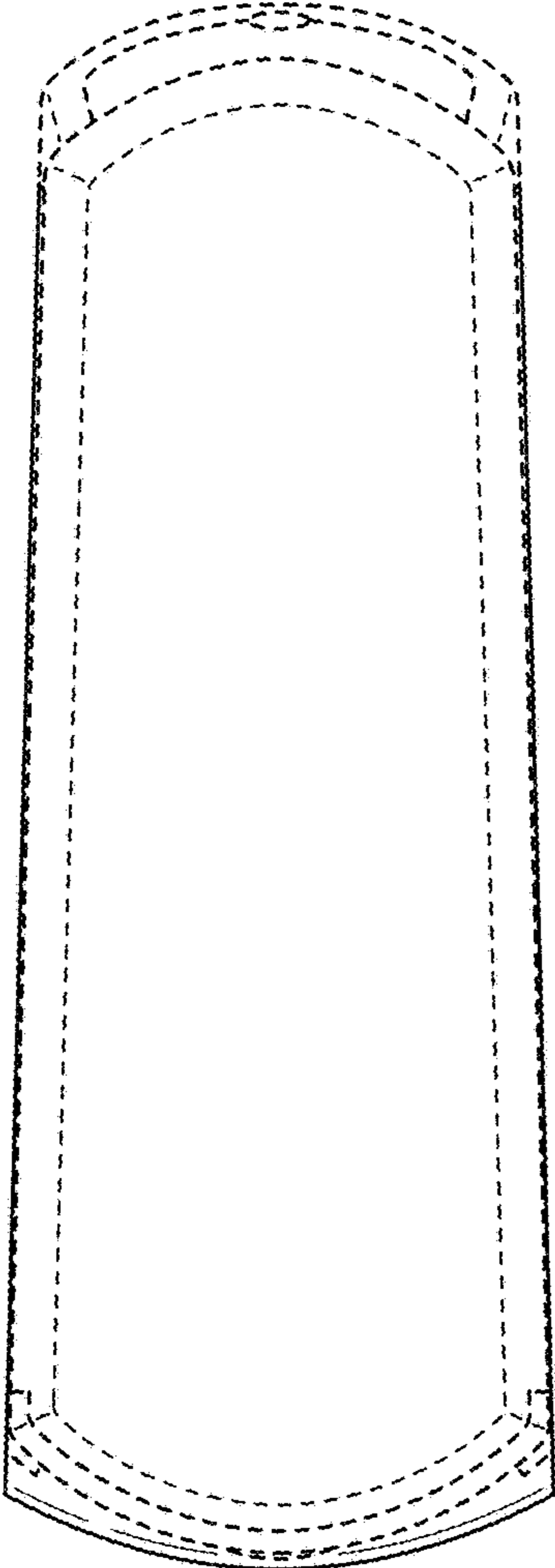


FIG. 6

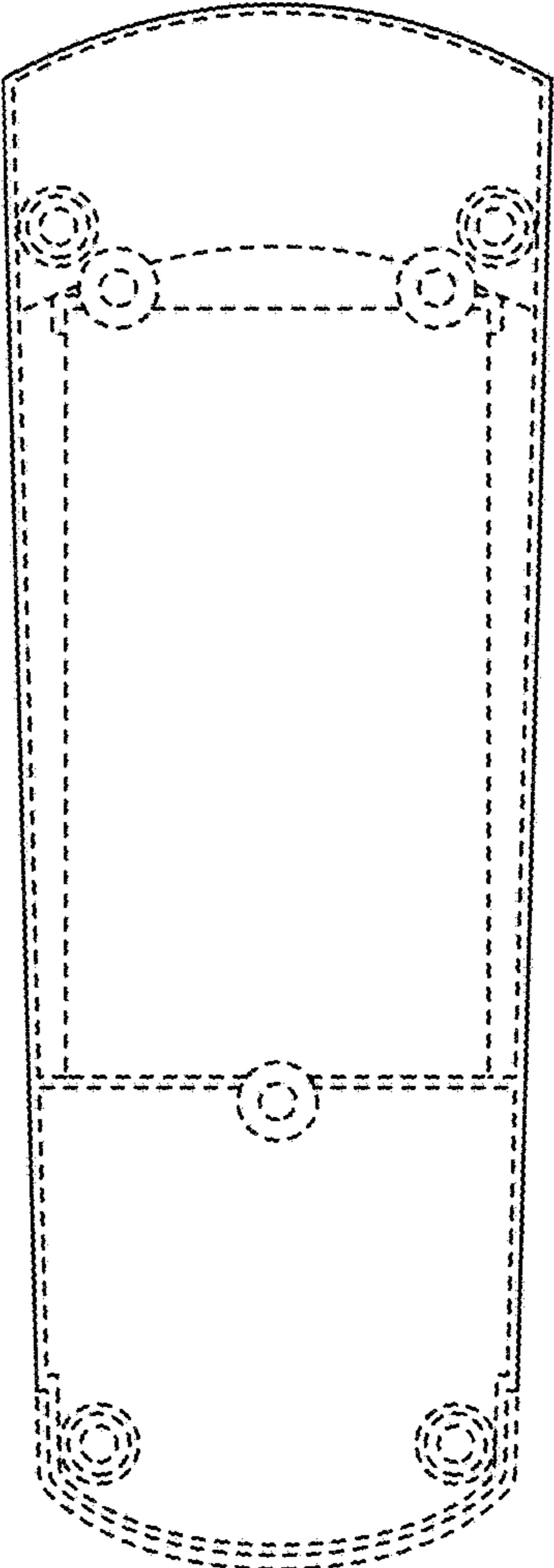


FIG. 7