



US00D792163S

(12) **United States Design Patent** (10) **Patent No.:** **US D792,163 S**
Gebhardt et al. (45) **Date of Patent:** **** Jul. 18, 2017**

(54) **PLATE**
(71) Applicant: **Oneida Ltd.**, Lancaster, OH (US)
(72) Inventors: **Paul E. Gebhardt**, Oneida, NY (US);
Garet R. Miller, Chillicothe, OH (US)
(73) Assignee: **Oneida Ltd.**, Columbus, OH (US)
(**) Term: **15 Years**
(21) Appl. No.: **29/559,967**
(22) Filed: **Apr. 1, 2016**
(51) **LOC (10) Cl.** **07-01**
(52) **U.S. Cl.**
USPC **D7/586**
(58) **Field of Classification Search**
USPC D7/584, 500, 570, 566, 565, 557, 552.2,
D7/503, 538, 543, 553.6, 586, 587;
D3/306; 217/122; 147/18; 220/23.83,
220/574.1, 574
CPC A47G 19/02; A47G 19/025; A47J 43/18
See application file for complete search history.

5,501,038 A * 3/1996 Gregoranto A01G 9/124
47/47
D475,246 S * 6/2003 Jørgensen D7/545
D485,126 S * 1/2004 Watson D7/584
D490,643 S * 6/2004 Groll D7/354
D511,437 S * 11/2005 Brown D7/566
D517,366 S * 3/2006 Oztiryaki D7/354
D543,787 S * 6/2007 Wasserman D7/565
D549,040 S * 8/2007 Henry D7/354
D551,492 S * 9/2007 Schuler D7/354
D609,531 S * 2/2010 Koennecke D7/584
D635,399 S * 4/2011 DeVecchio D7/509
D669,313 S * 10/2012 Paladino D7/602
D676,704 S * 2/2013 Henry D7/354
D699,078 S * 2/2014 Katterheinrich D7/587
D724,897 S * 3/2015 Gieske D7/523
8,997,992 B2 * 4/2015 Van Puijenbroek B65D 1/22
206/223
D738,159 S * 9/2015 Cheng D7/354
D739,295 S * 9/2015 Thuma D11/152
D742,697 S * 11/2015 Switz D7/557
D749,365 S * 2/2016 Hume D7/509
D750,436 S * 3/2016 Hopkins D7/523
D761,061 S * 7/2016 McConnell D7/587
D762,083 S * 7/2016 Librus D7/354
(Continued)

Primary Examiner — Cynthia Underwood
(74) *Attorney, Agent, or Firm* — Frost Brown Todd LLC

(56) **References Cited**
U.S. PATENT DOCUMENTS

D213,491 S * 3/1969 Beeman 220/DIG. 13
D213,492 S * 3/1969 Beeman 220/DIG. 13
D221,169 S * 7/1971 Benes D7/584
D232,612 S * 9/1974 CHristian et al. 220/574
4,351,997 A * 9/1982 Mattisson B65D 81/3453
219/729
RE32,270 E * 10/1986 Murray, Jr. B32B 27/10
156/221
5,094,706 A * 3/1992 Howe A47J 36/04
156/214
5,172,826 A * 12/1992 Celaya A47G 19/02
220/574
D355,735 S * 2/1995 Shaffer D32/53

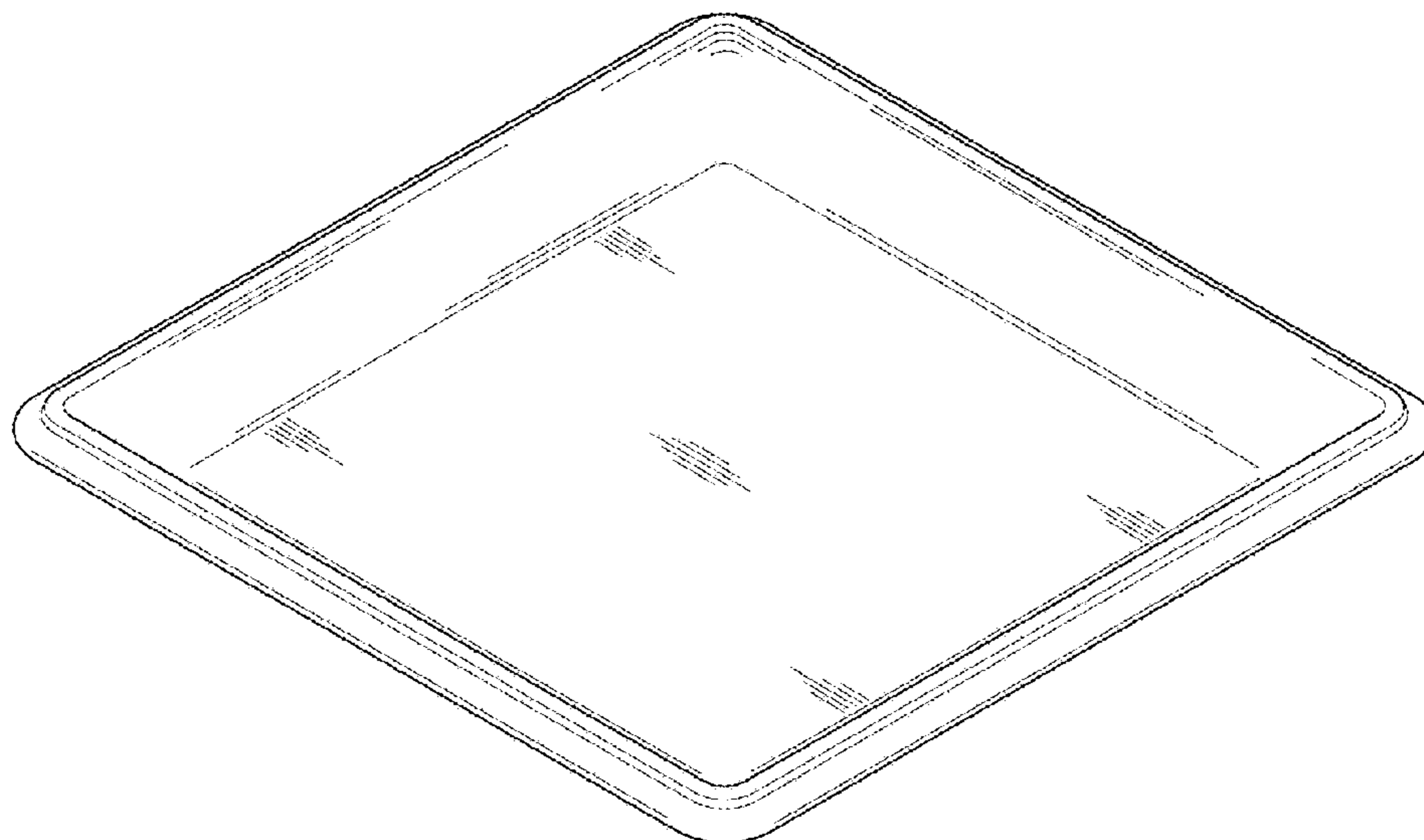
(57) **CLAIM**

The ornamental design for a plate, as shown and described.

DESCRIPTION

FIG. 1 is a top perspective view of our new ornamental design for a plate.
FIG. 2 is a bottom perspective view thereof.
FIG. 3 is a front elevation view thereof, the rear, left, and right elevation views being mirror images.
FIG. 4 is a top view thereof; and,
FIG. 5 is a bottom view thereof.

1 Claim, 4 Drawing Sheets



(56)

References Cited

U.S. PATENT DOCUMENTS

D765,471	S *	9/2016	Gorbold	D7/509
9,474,397	B2 *	10/2016	Minnette	A47G 19/02
D770,231	S *	11/2016	Hume	D7/523
D770,233	S *	11/2016	Raphael	D7/584
D780,572	S *	3/2017	Zhang	D9/425
2014/0025508	A1 *	1/2014	Bartosch	B65D 25/04 705/14.69

* cited by examiner

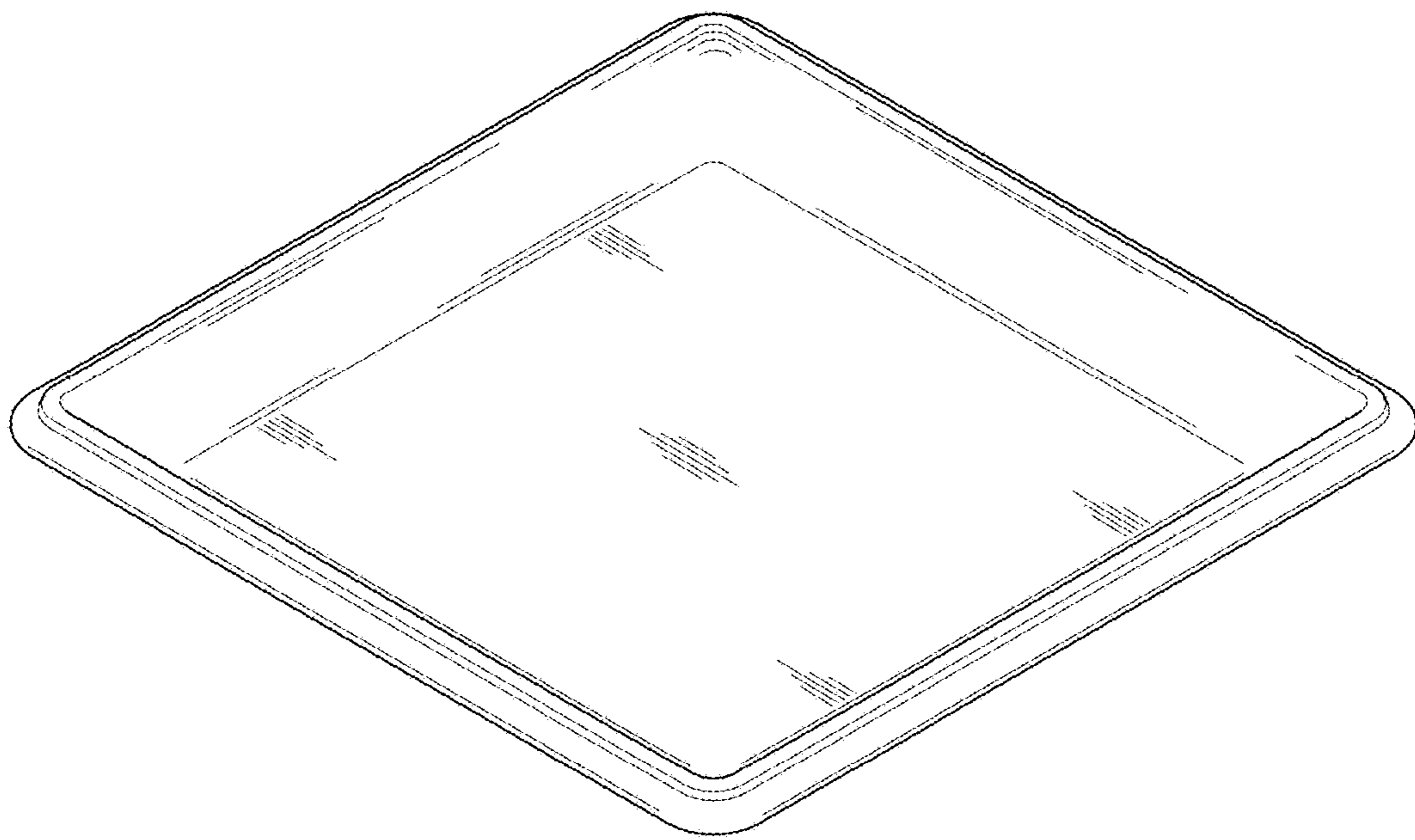


FIG. 1

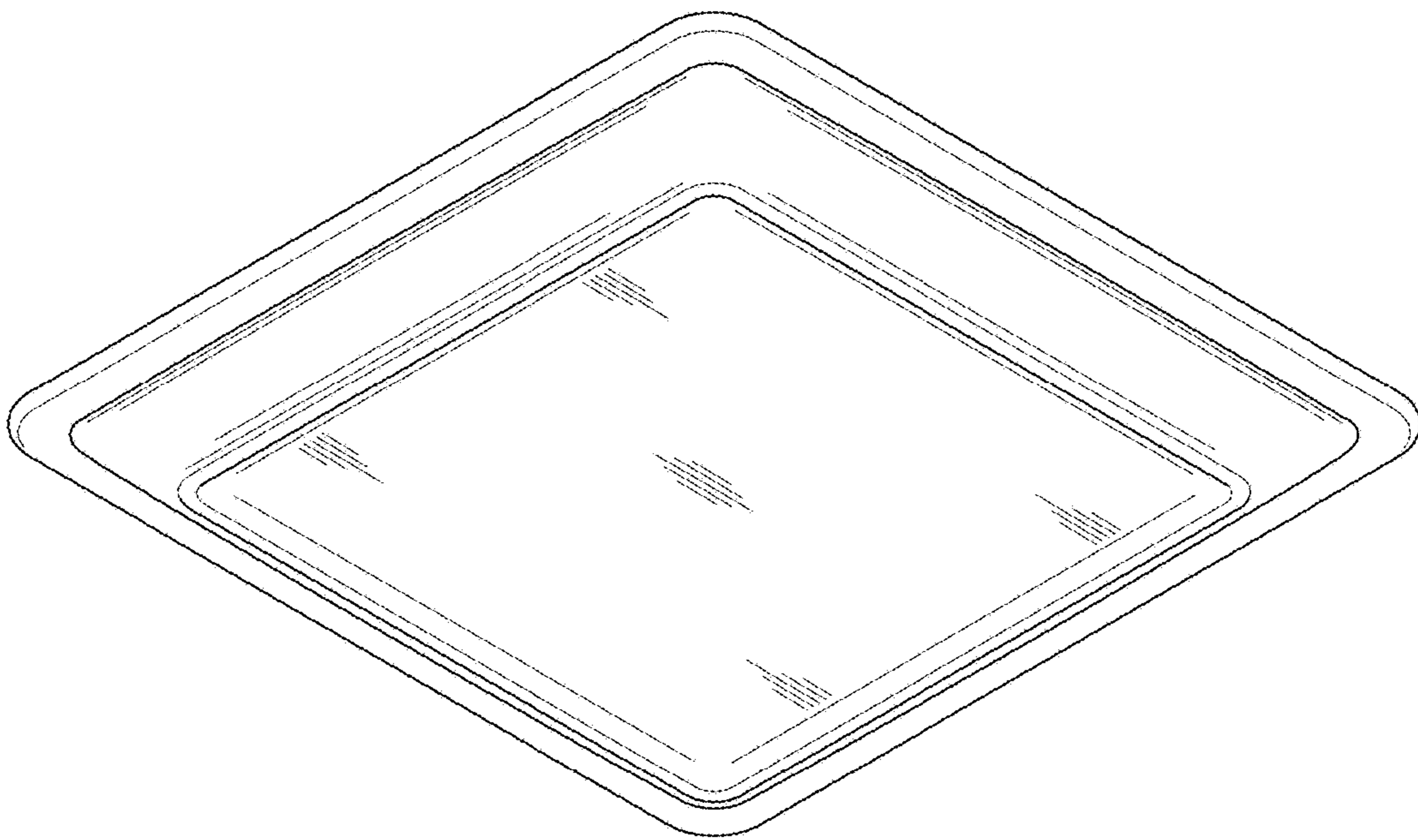


FIG. 2

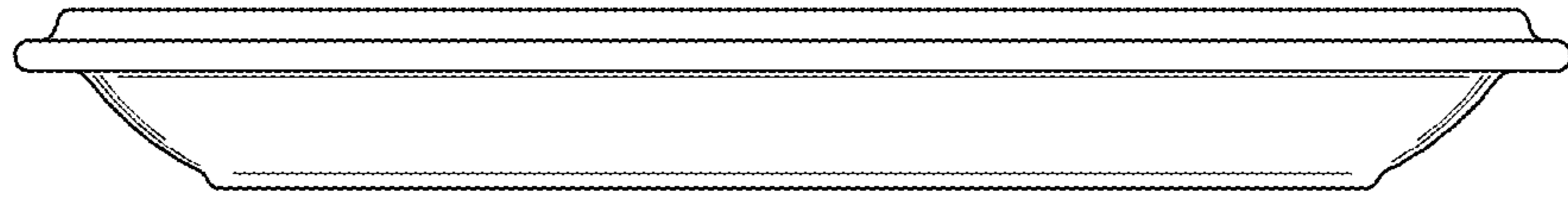


FIG. 3

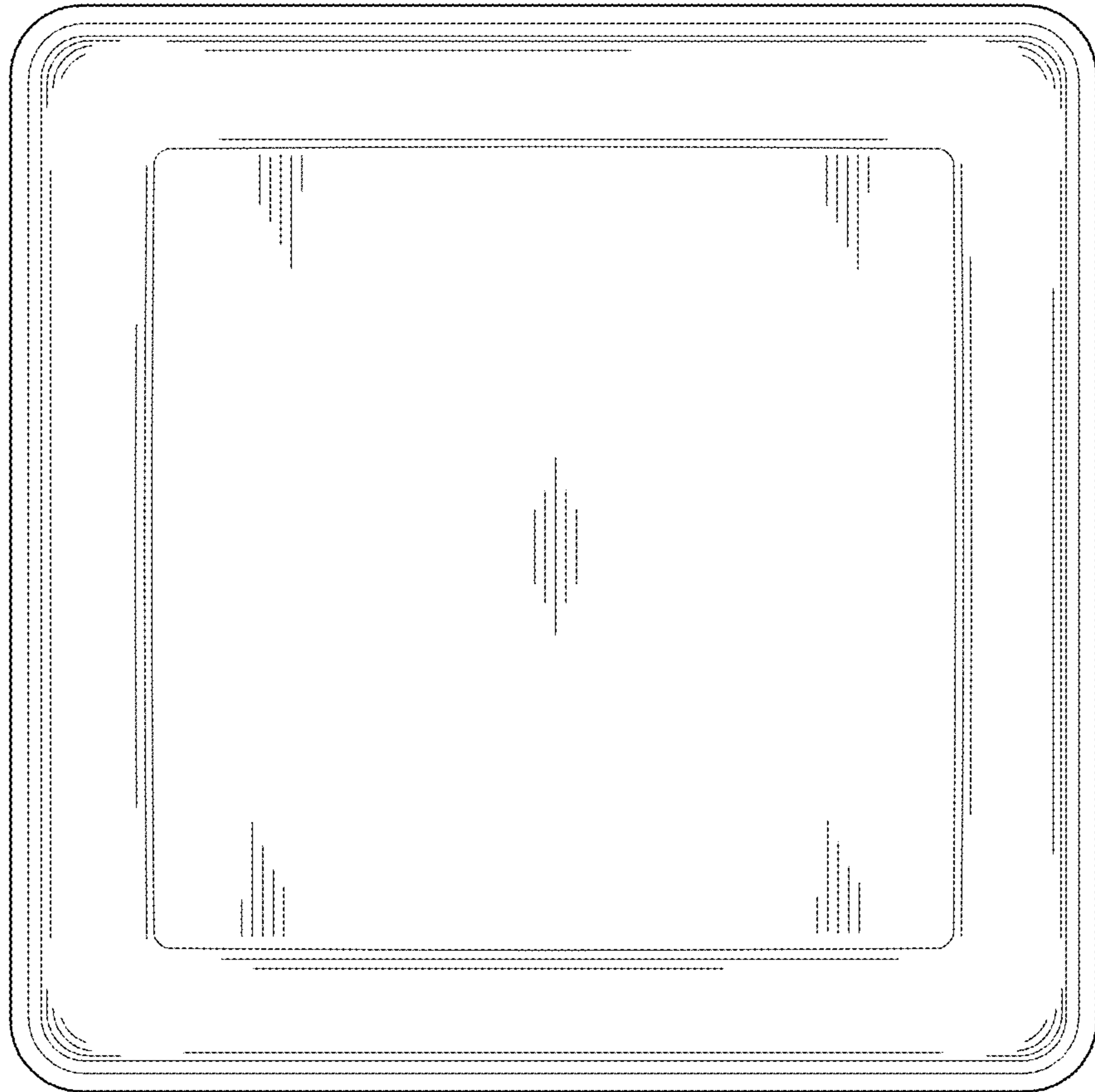


FIG. 4

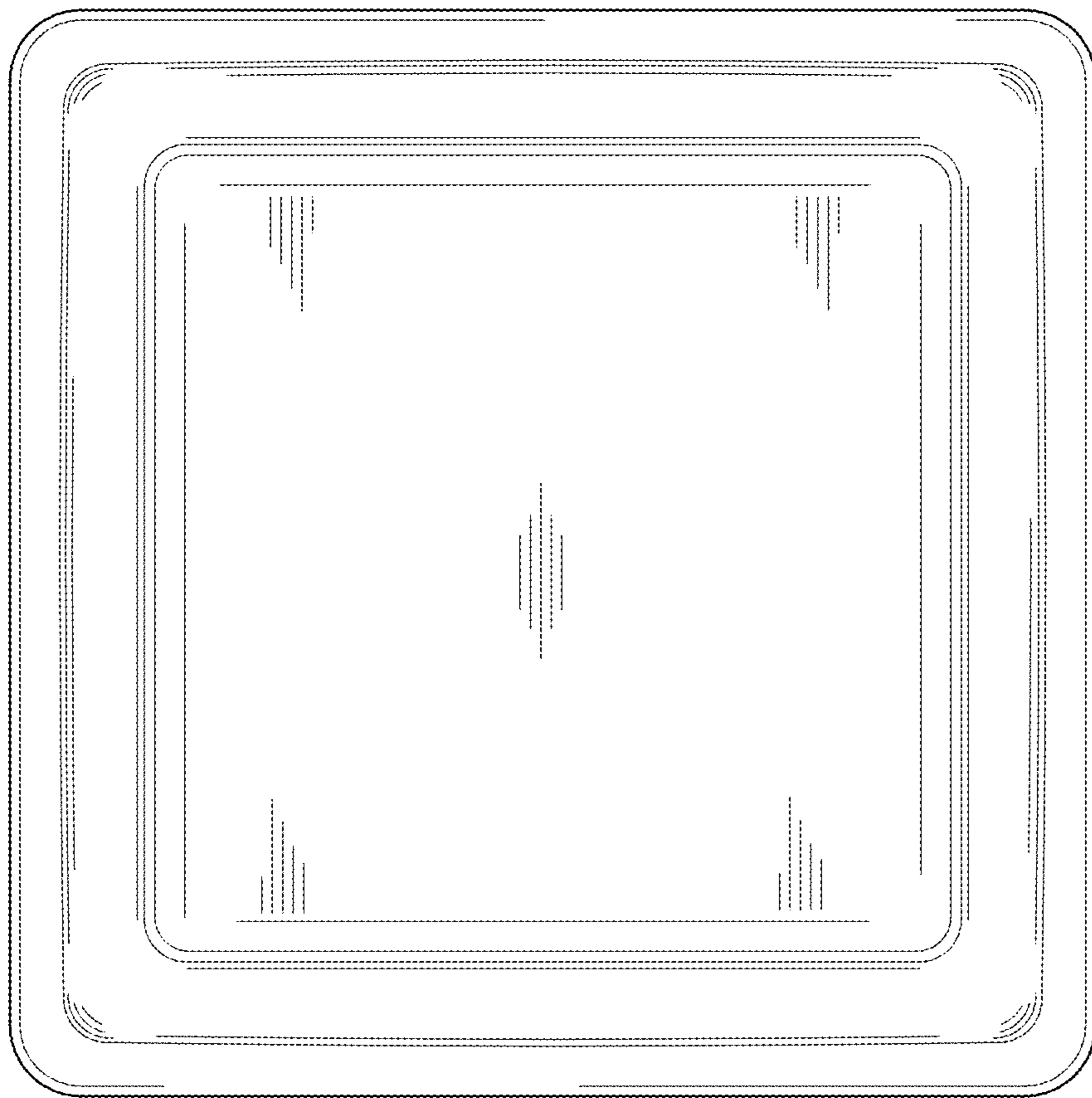


FIG. 5