



US00D792160S

(12) **United States Design Patent** (10) **Patent No.:** **US D792,160 S**
Ng (45) **Date of Patent:** **** Jul. 18, 2017**

(54) **HINGED RECTANGULAR CLAMSHELL FOOD CONTAINER**

(71) Applicant: **Tsing Kou Ng**, San Francisco, CA (US)

(72) Inventor: **Tsing Kou Ng**, San Francisco, CA (US)

(**) Term: **15 Years**

(21) Appl. No.: **29/548,170**

(22) Filed: **Dec. 10, 2015**

(51) **LOC (10) Cl.** **07-01**

(52) **U.S. Cl.**
USPC **D7/538**

(58) **Field of Classification Search**
USPC D7/538, 500, 505, 539, 543, 57, 581,
D7/629; D9/425, 424, 428; 220/810,
220/270
CPC A47G 21/001; B65D 43/162; B65D
43/0249; B65D 43/26
See application file for complete search history.

(56) **References Cited**

U.S. PATENT DOCUMENTS

5,515,993	A *	5/1996	McManus	B65D 43/162 206/508
D640,548	S *	6/2011	Lawrence	D9/430
D668,537	S *	10/2012	Sanfilippo	D9/423
D668,950	S *	10/2012	Sanfilippo	D9/423
D675,517	S *	2/2013	Garza	D9/424
D680,860	S *	4/2013	Schulter et al.	
D681,447	S *	5/2013	Schulter	D9/420
D686,064	S *	7/2013	Garza	D9/424
D697,795	S *	1/2014	Garza	D9/424
9,120,595	B2 *	9/2015	Chou	B65D 17/24
9,132,942	B2 *	9/2015	Nikaein	B65D 43/0249
9,187,209	B1 *	11/2015	Hanna	B65D 43/162
D749,412	S *	2/2016	Hu	D9/426
D752,430	S *	3/2016	Stevenson	D9/425
D756,770	S *	5/2016	Snedden	D9/425

D764,276	S *	8/2016	Das	D9/425
2010/0072217	A1 *	3/2010	Parikh	B65D 55/024 220/833
2011/0000929	A1 *	1/2011	Brown	B65D 43/162 220/810

(Continued)

OTHER PUBLICATIONS

IDS filed on Nov. 26, 2012 in connection with Design U.S. Pat. No. D 680,860, containing the NPL references cited therein.

Primary Examiner — Cynthia Underwood

(74) *Attorney, Agent, or Firm* — Fulwider Patton LLP

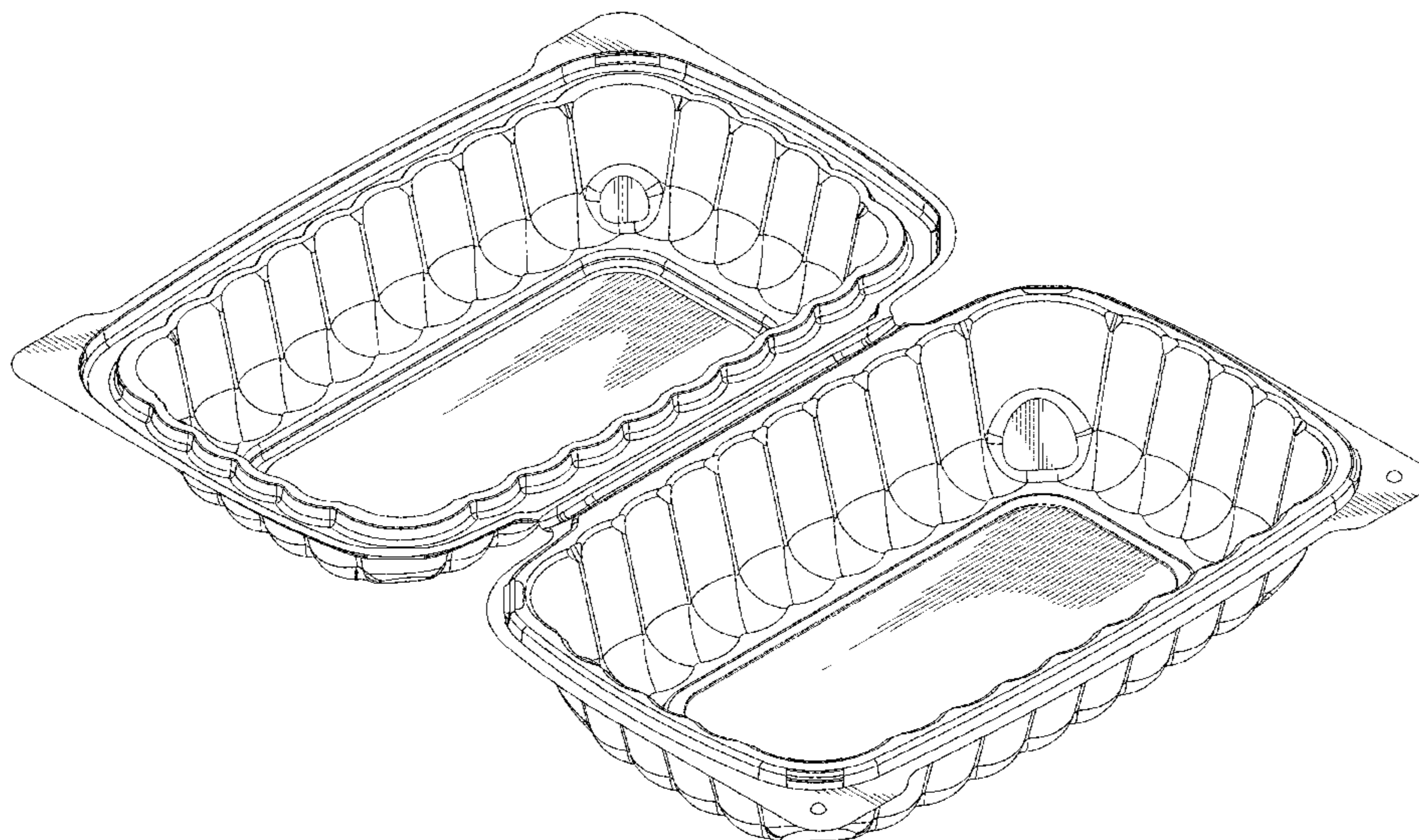
(57) **CLAIM**

The ornamental design for a hinged rectangular clamshell food container, as shown and described.

DESCRIPTION

FIG. 1 is a perspective view of the interior of an embodiment of the hinged rectangular clamshell food container in an open condition;
FIG. 2 is a perspective view of the exterior of an embodiment of the hinged rectangular clamshell food container in an open condition;
FIG. 3 is a left side view of an embodiment of the hinged rectangular clamshell food container in an open condition;
FIG. 4 is a right side view of an embodiment of the hinged rectangular clamshell food container in an open condition;
FIG. 5 is a rear view of an embodiment of the hinged rectangular clamshell food container in an open condition.
FIG. 6 is a front view of an embodiment of the hinged rectangular clamshell food container in an open condition;
FIG. 7 is a bottom view of an embodiment of the hinged rectangular clamshell food container in an open condition;
and,
FIG. 8 is a top view of an embodiment of the hinged rectangular clamshell food container in an open condition.

1 Claim, 6 Drawing Sheets



(56)

References Cited

U.S. PATENT DOCUMENTS

2011/0139785 A1* 6/2011 Strange B65D 43/162
220/283

* cited by examiner

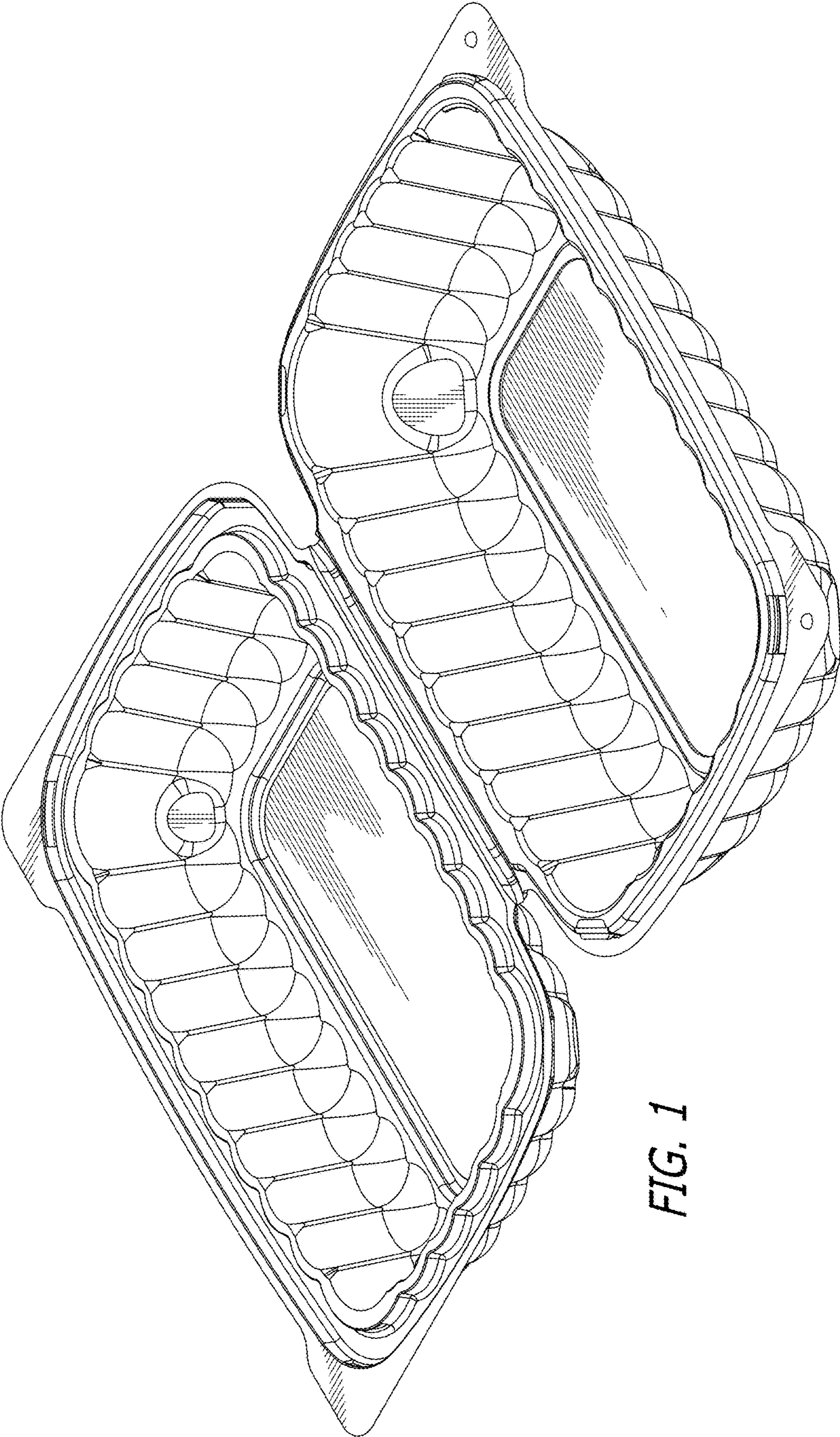


FIG. 1

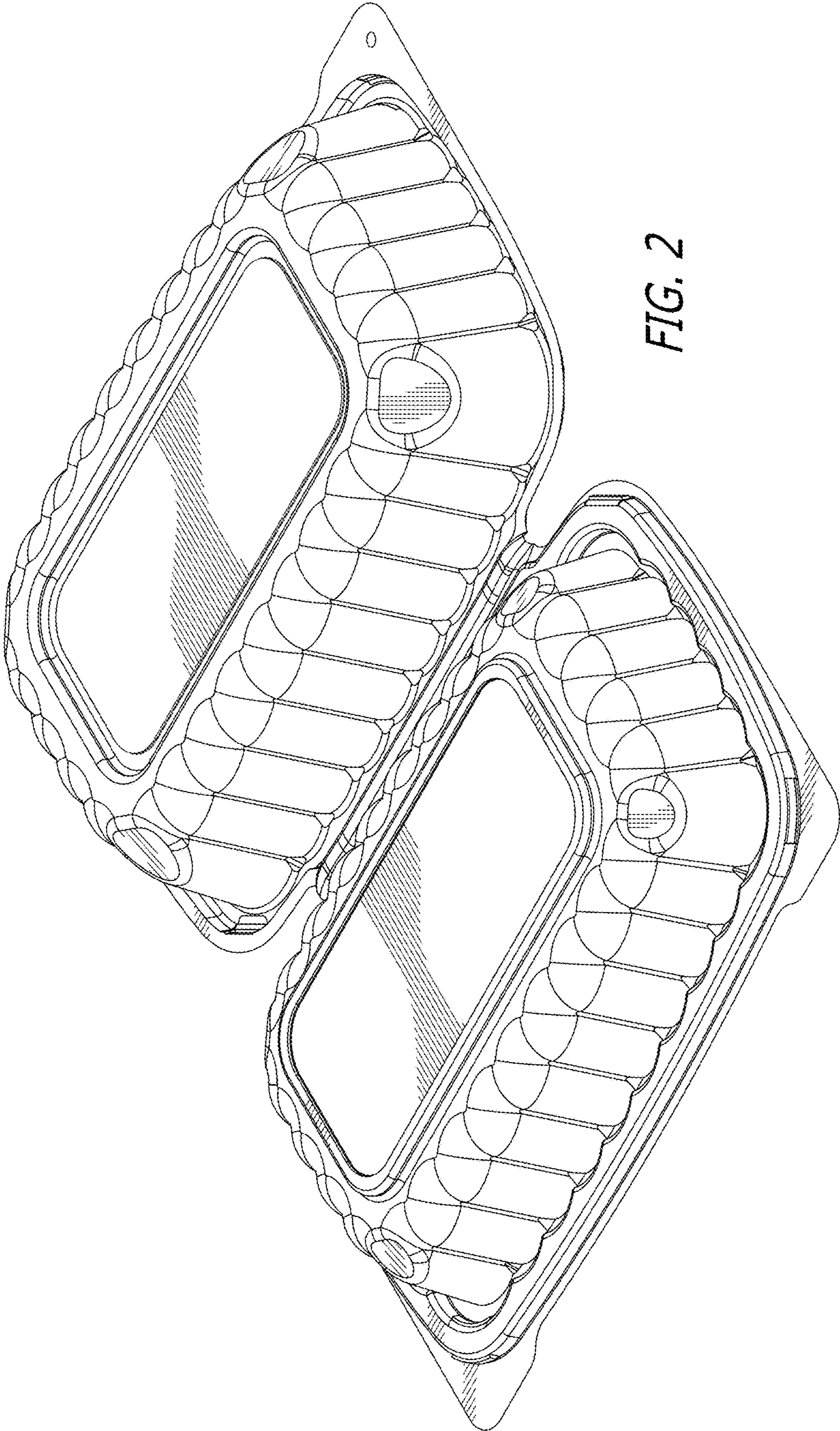


FIG. 2

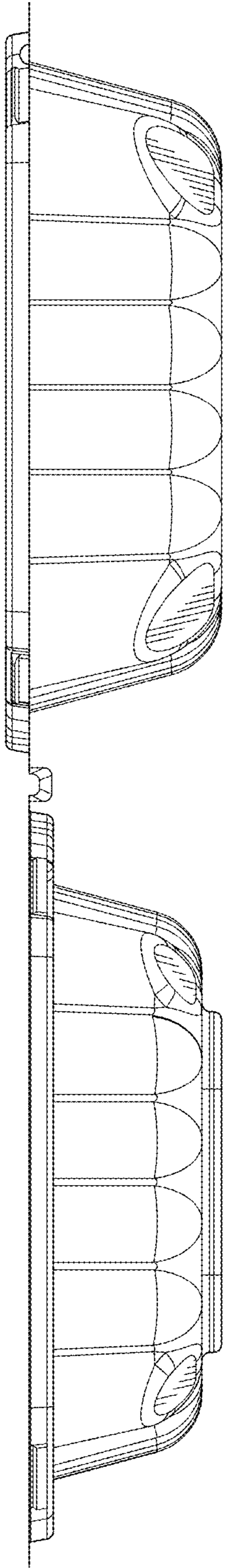


FIG. 3

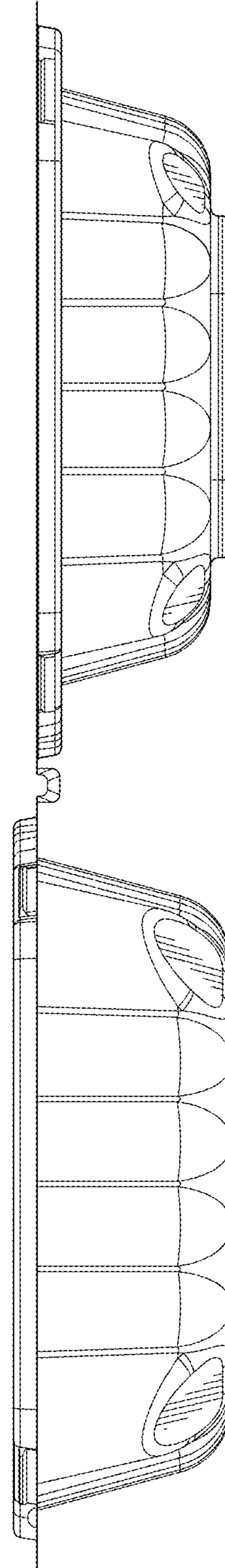


FIG. 4

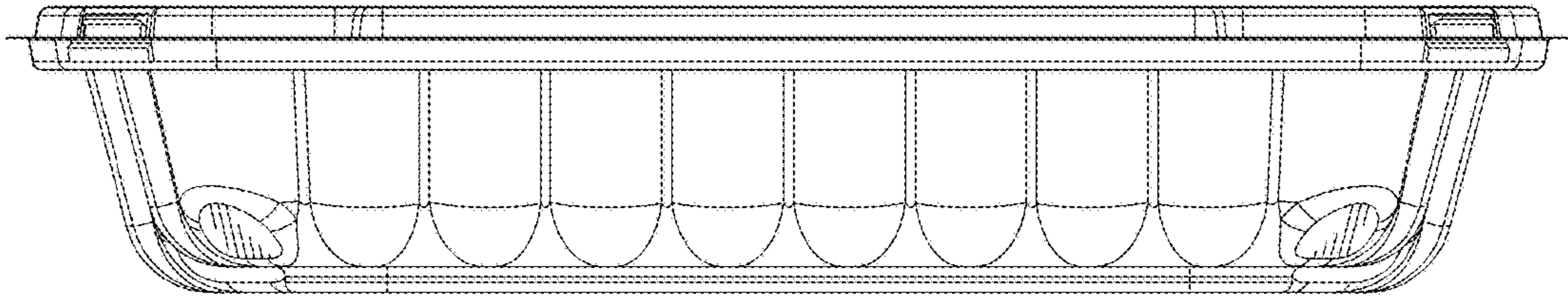


FIG. 5

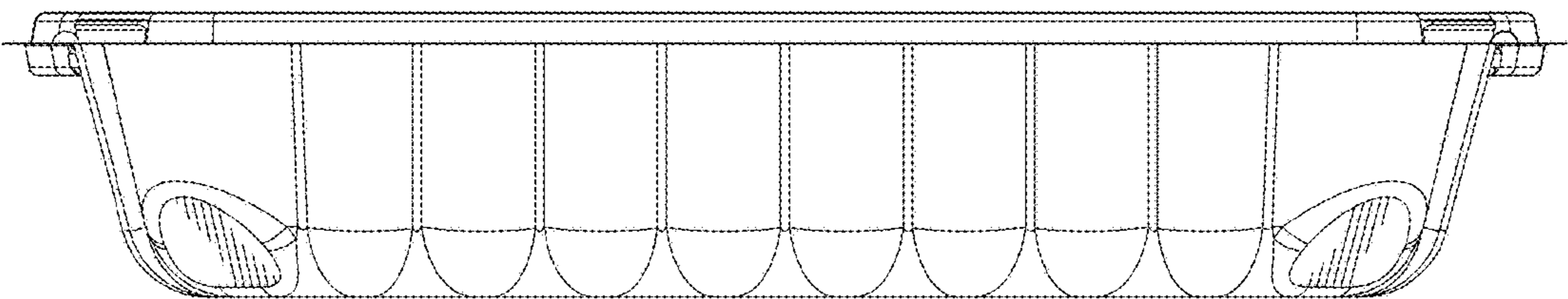


FIG. 6

FIG. 7

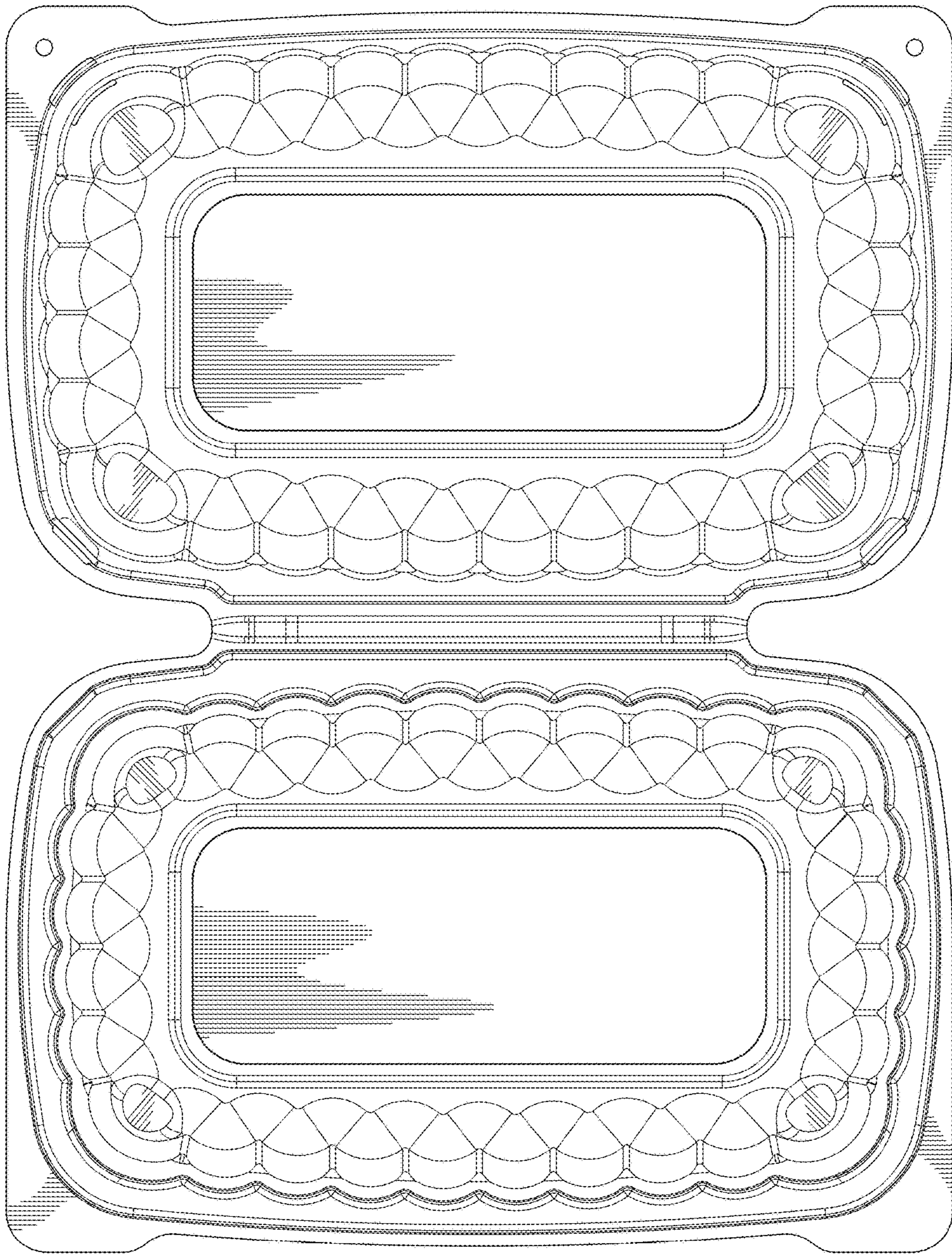


FIG. 8

