



US00D792159S

(12) **United States Design Patent** (10) **Patent No.:** **US D792,159 S**
Gibson (45) **Date of Patent:** **** Jul. 18, 2017**

(54) **BEVERAGE CONTAINER**

(71) Applicant: **Tyler Allen Gibson**, Franklin, TN (US)

(72) Inventor: **Tyler Allen Gibson**, Franklin, TN (US)

(**) Term: **15 Years**

(21) Appl. No.: **29/538,223**

(22) Filed: **Sep. 1, 2015**

(51) **LOC (10) Cl.** **07-01**

(52) **U.S. Cl.**

USPC **D7/533**; D7/514; D7/515; D7/511;
D8/21

(58) **Field of Classification Search**

USPC D7/507, 509, 510, 511, 523, 529, 531,
D7/532, 533, 535, 536, 392.1, 396.2, 387,
D7/543, 514, 515, 508; D8/33, 34, 22,
D8/21; 220/592.16, 592.17, 295.03, 718,
220/719; 81/3.43; D9/679
CPC .. B25B 13/52; B67B 7/00; B67B 7/14; B67B
7/16; A47G 19/22; A47G 19/2227; A45F
3/20

See application file for complete search history.

(56) **References Cited**

U.S. PATENT DOCUMENTS

- 1,516,240 A * 11/1924 Osterberg B25B 13/52
81/3.43
- D177,575 S * 5/1956 Louik D7/511
- 2,837,947 A * 6/1958 Handford B67B 7/184
81/3.25
- D194,053 S * 11/1962 Nels D7/536
- 3,409,208 A * 11/1968 Eicholtz A47G 23/0216
220/743
- 4,130,215 A * 12/1978 Corey A47G 19/2205
220/719
- D254,764 S * 4/1980 Werner D7/515
- D269,147 S * 5/1983 Trombly D7/536
- 4,552,040 A * 11/1985 Bang B25B 13/52
81/3.43
- 4,750,388 A * 6/1988 Hagen B25B 27/0042
81/177.7
- D300,195 S * 3/1989 Pitzer D7/533

(Continued)

OTHER PUBLICATIONS

Oil Filter Wrench image obtained Jul. 23, 2015 from <https://www.google.com/search?q=oil+filter+wrench&biw=1489&bih=854&tbm=isch&tbo=u&source=univ&sa=X&sqi=2&ved=0CEIQsARqFQoTCLvb7eDnxscCFQ-EDQod5fsFjA>.

(Continued)

Primary Examiner — Marianne Pandozzi

Assistant Examiner — Jae Liang

(74) *Attorney, Agent, or Firm* — Lodestone Legal Group;
Jeromye V. Sartain

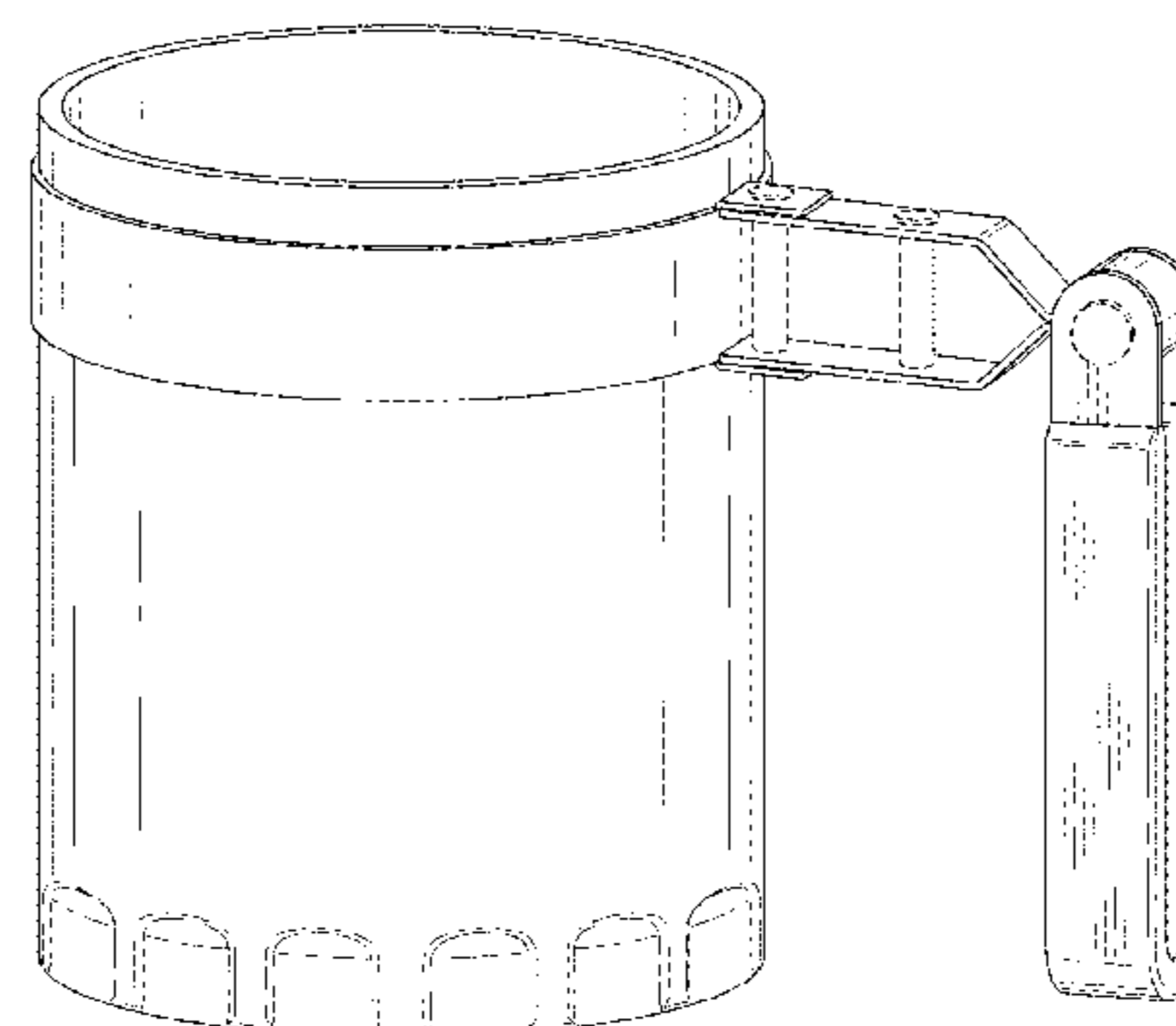
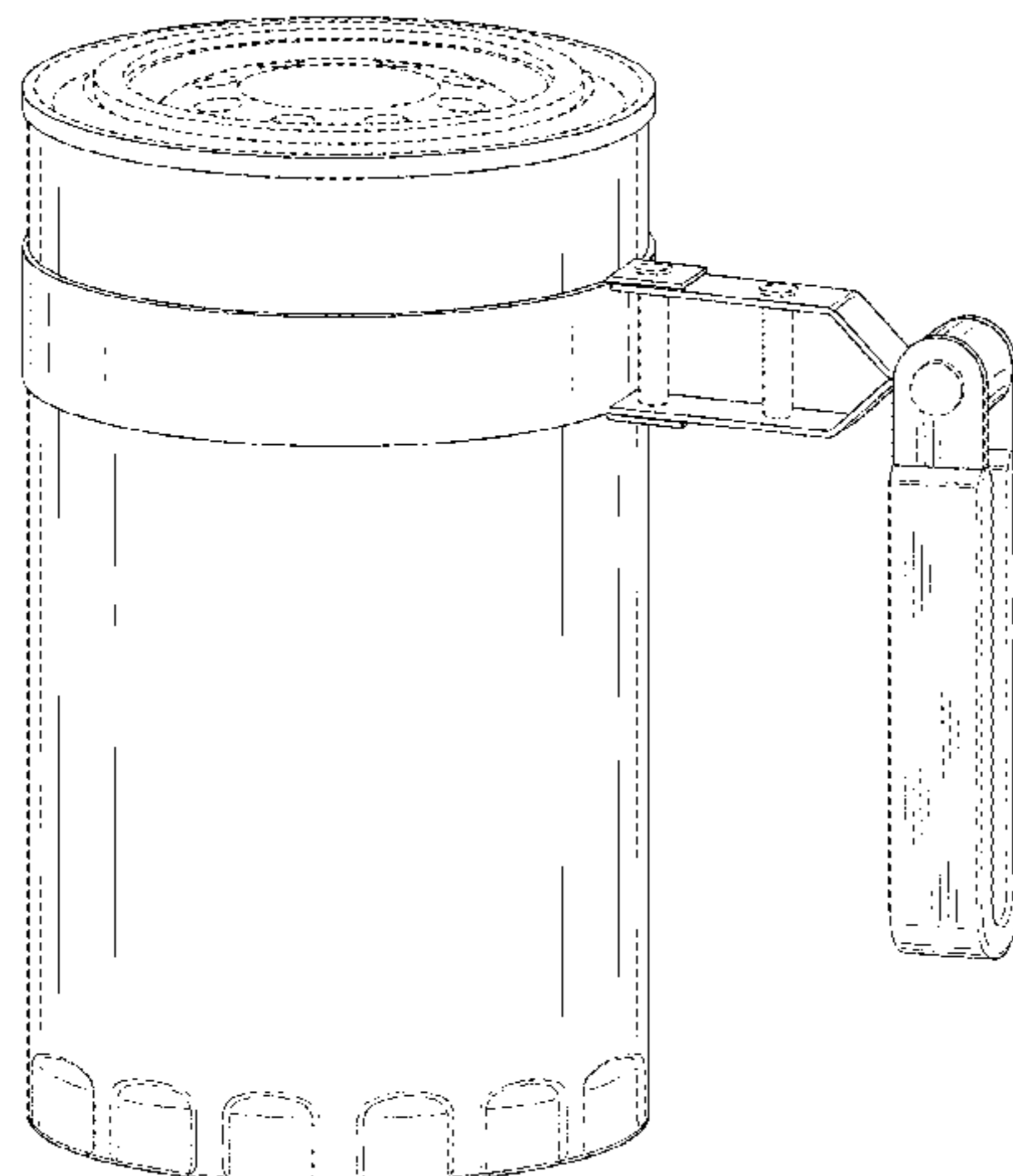
(57) **CLAIM**

The ornamental design for a beverage container, as shown and described.

DESCRIPTION

FIG. 1 is a perspective view of a first embodiment of a beverage container showing my new design;
FIG. 2 is a front view thereof;
FIG. 3 is a rear view thereof;
FIG. 4 is a left side view thereof;
FIG. 5 is a right side view thereof;
FIG. 6 is a top view thereof;
FIG. 7 is a bottom view thereof;
FIG. 8 is a perspective view of a second embodiment of a beverage container;
FIG. 9 is a front view thereof;
FIG. 10 is a rear view thereof;
FIG. 11 is a left side view thereof;
FIG. 12 is a right side view thereof;
FIG. 13 is a top view thereof; and,
FIG. 14 is a bottom view thereof.
The broken lines in the drawing depict portions of the beverage container that form no part of the claimed design.

1 Claim, 8 Drawing Sheets



(56)

References Cited

U.S. PATENT DOCUMENTS

D307,101 S * 4/1990 Anderson D8/22
 D347,365 S * 5/1994 McKay D3/202
 5,388,485 A 2/1995 Auble
 D363,198 S 10/1995 Donaldson
 D392,155 S * 3/1998 Joergensen D7/509
 6,520,052 B1 * 2/2003 Saunders B25B 27/0042
 81/3.43
 D529,342 S * 10/2006 Carreno D7/509
 D550,038 S * 9/2007 Trombly D7/509
 D554,435 S * 11/2007 Carreno D7/531
 D587,060 S * 2/2009 Tong Chi Chung D7/317
 D600,978 S * 9/2009 Poindexter D7/533
 D602,741 S * 10/2009 Xiurong D7/507
 7,806,044 B2 * 10/2010 Lin A47G 19/22
 220/254.8
 D633,157 S * 2/2011 Knapp D21/684
 D652,681 S * 1/2012 Monugian D7/510
 8,432,249 B2 * 4/2013 Bailey-VanKuren A47G 19/2227
 220/254.9
 D685,226 S * 7/2013 Aylward D7/515
 8,573,094 B2 11/2013 Pullen
 8,578,821 B2 11/2013 Hulings et al.
 D694,577 S * 12/2013 Lynn D21/684
 D702,474 S * 4/2014 Scherer D7/300.1
 D740,608 S * 10/2015 Apel D7/515

OTHER PUBLICATIONS

Oil Filter Wrench image obtained Jul. 23, 2015 from <https://www.google.com/search?q=oil+filter+wrench&biw=1489&bih=854&tbn=isch&tbo=u&source=univ&sa=X&sqi=2&ved=0CEIQsARqFQoTCLvb7eDnxscCFQ-EDQod5fsFjA>.

* cited by examiner

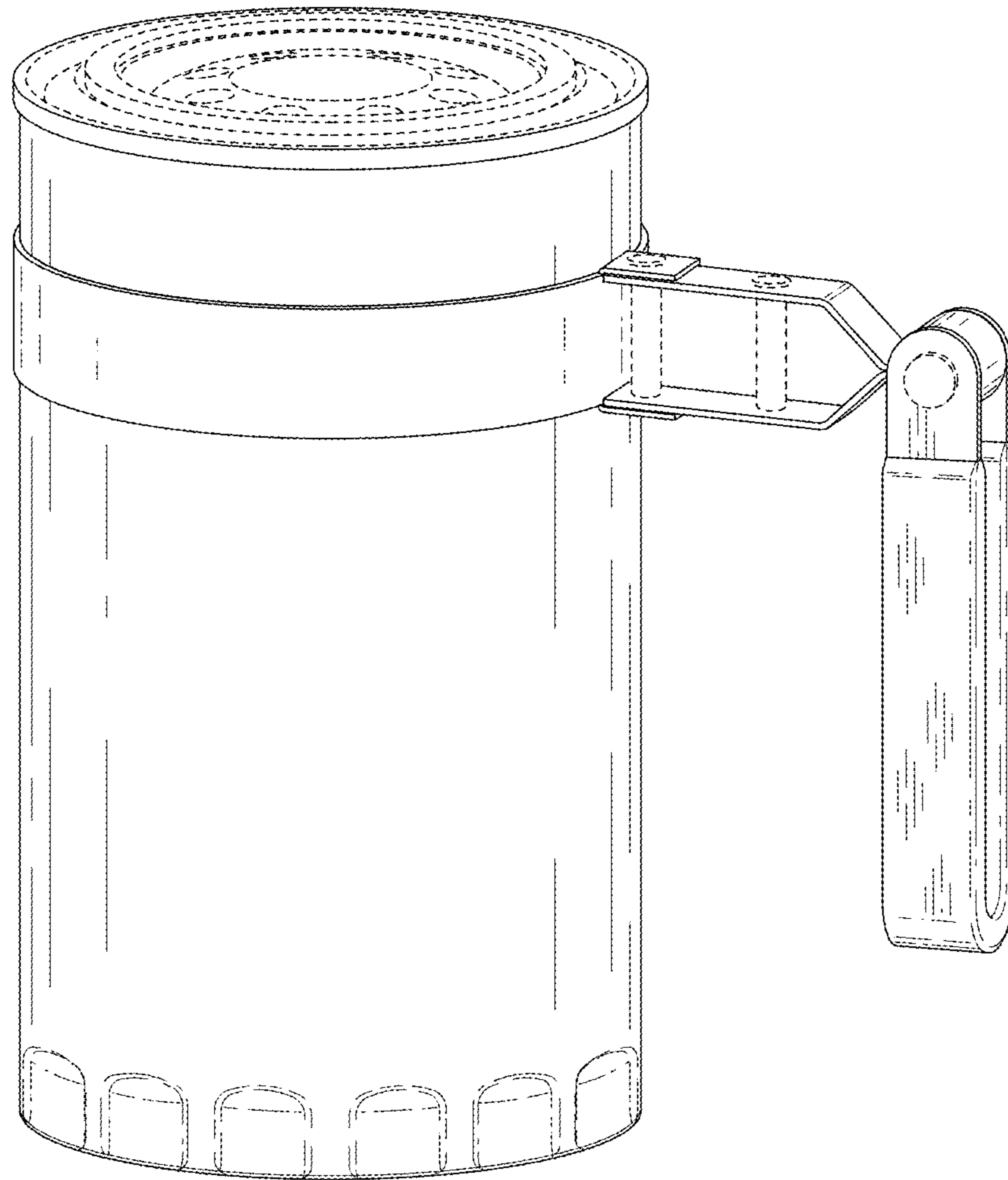


Fig. 1

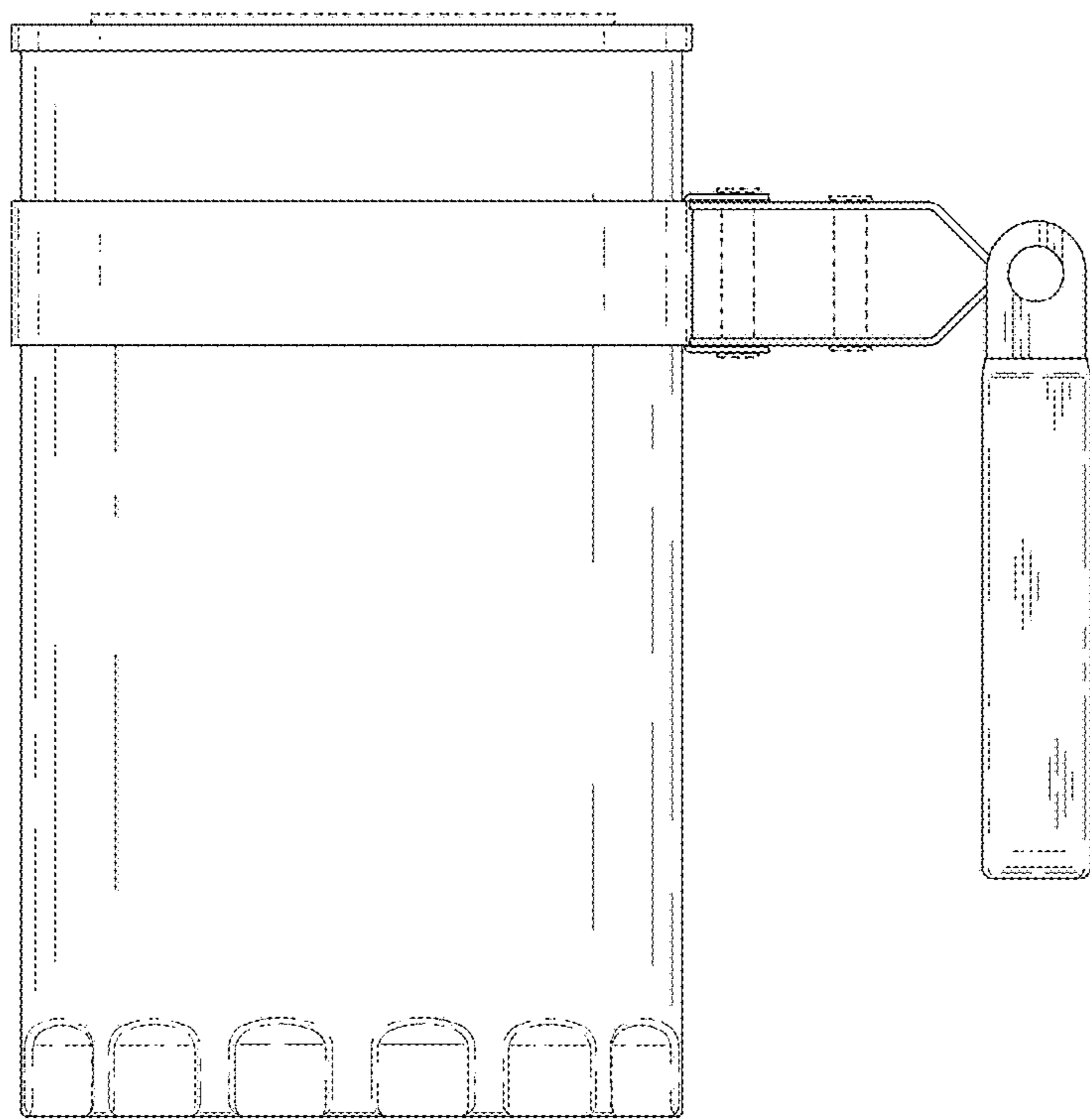


Fig. 2

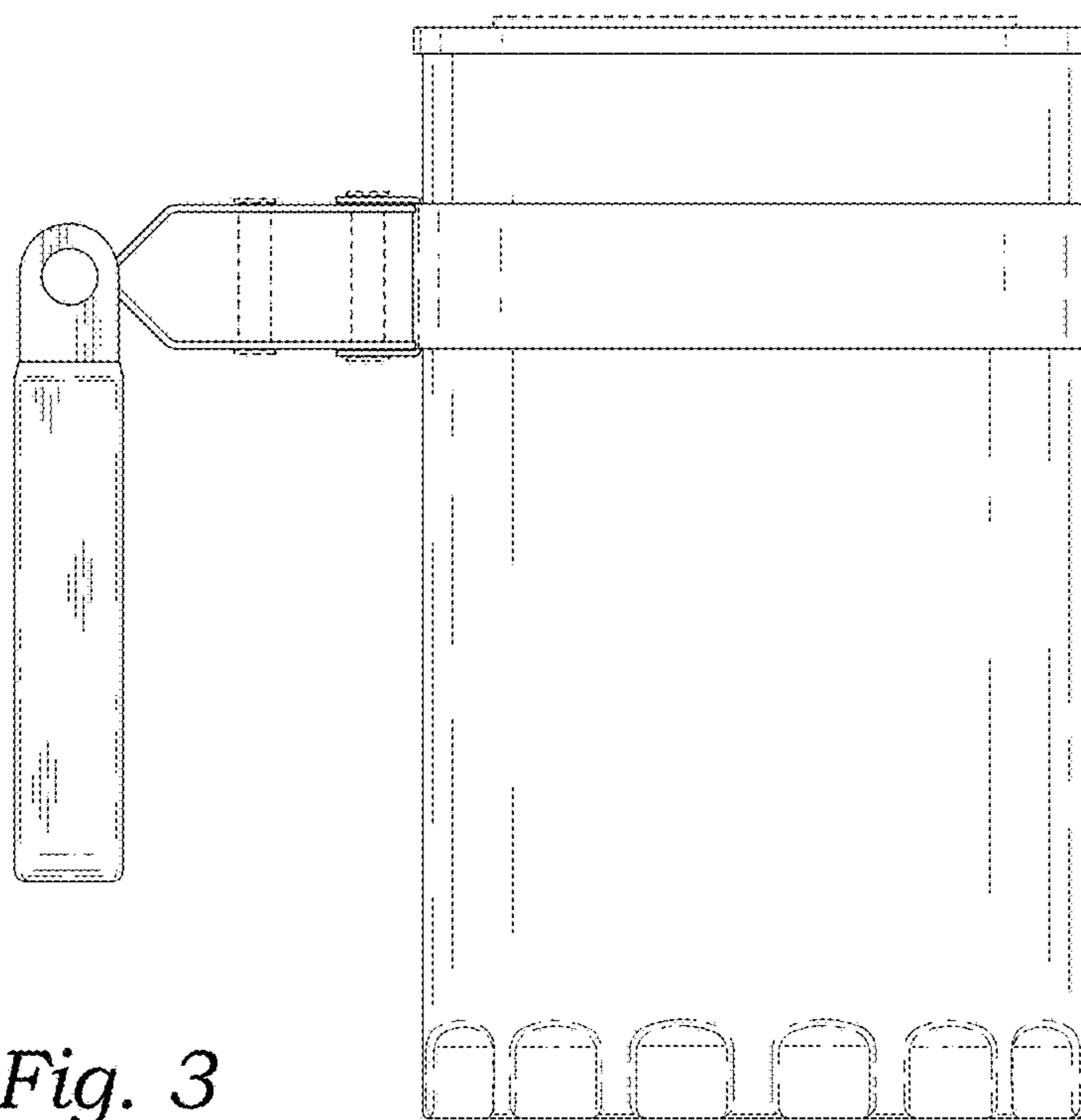


Fig. 3

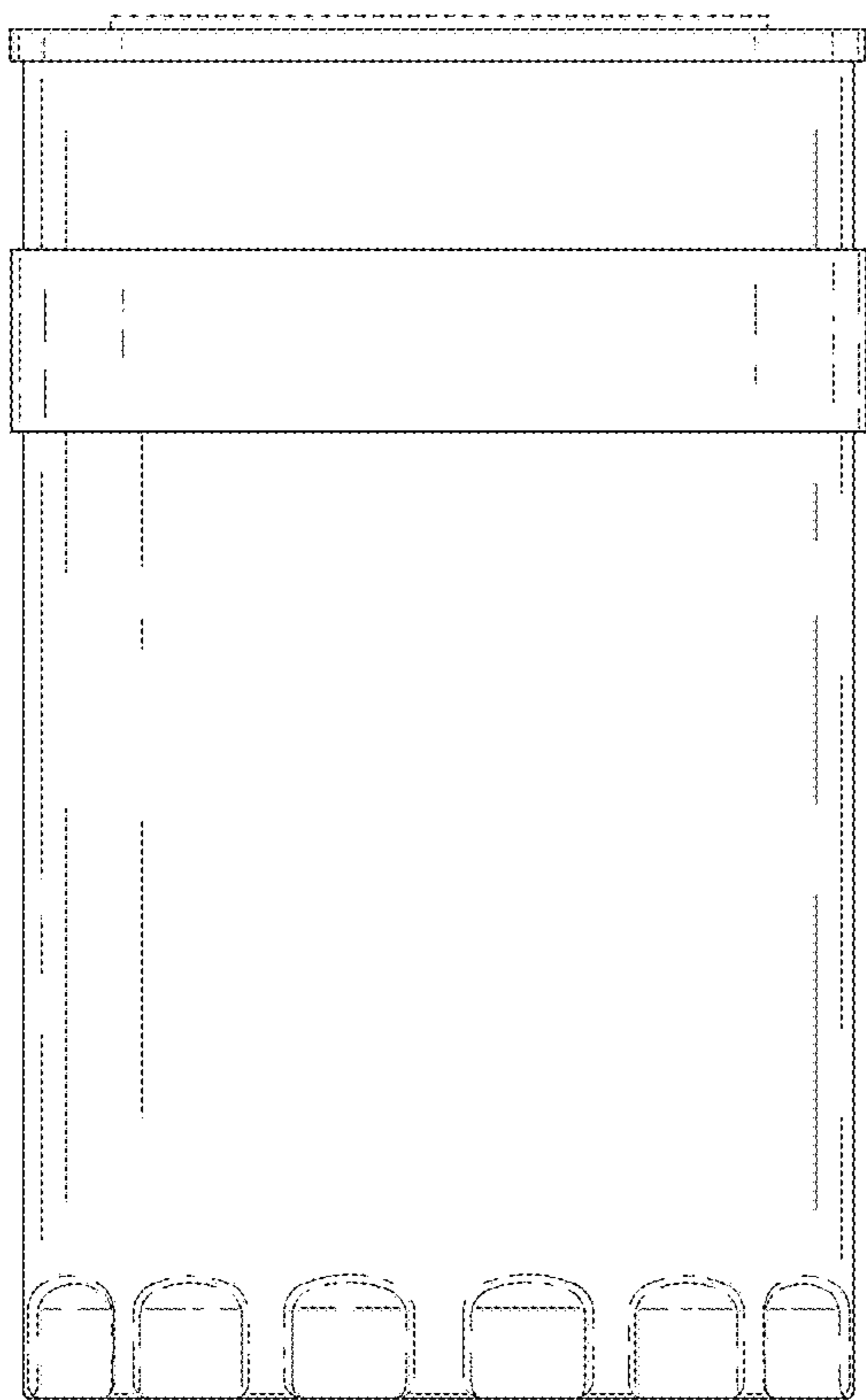


Fig. 4

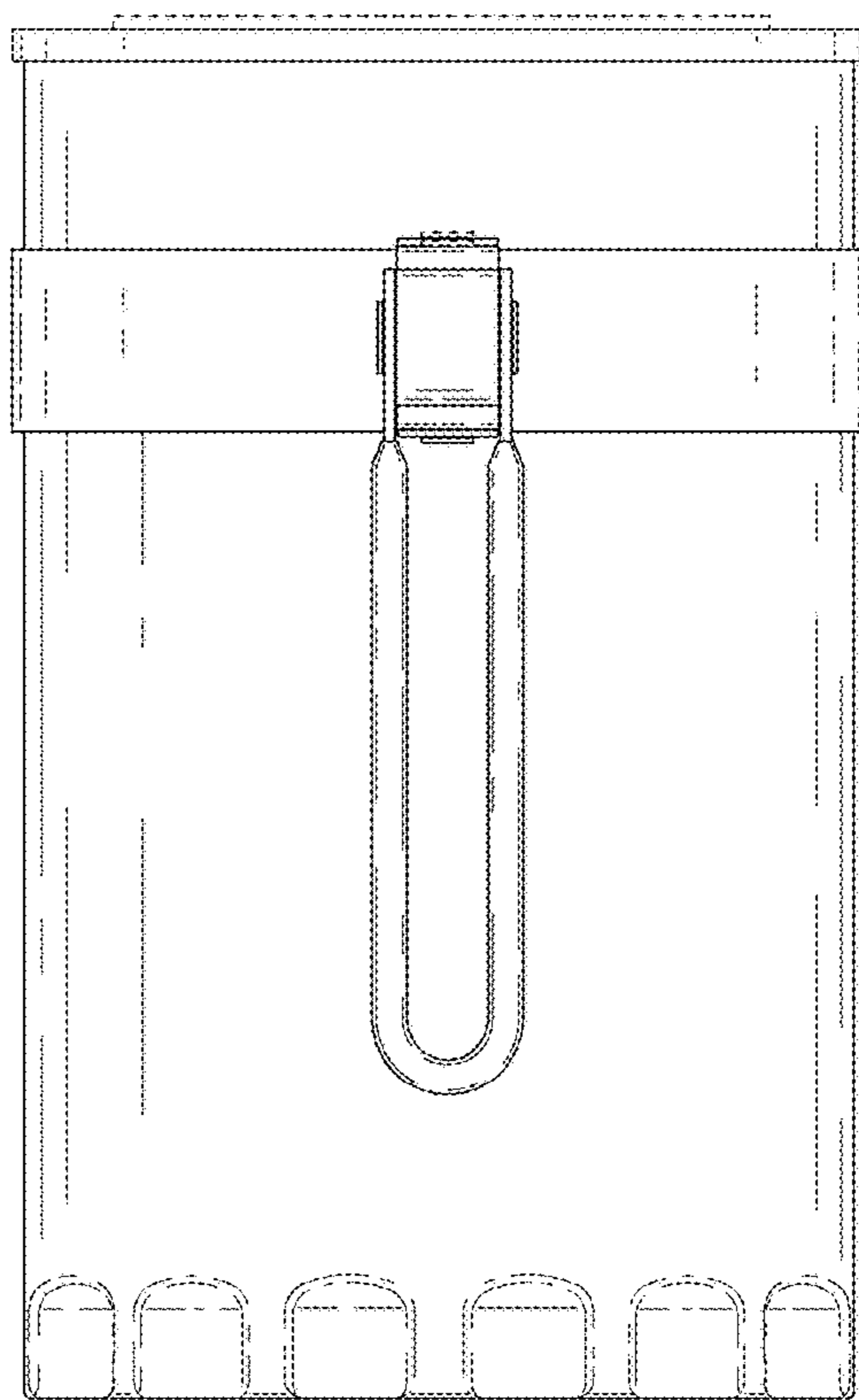


Fig. 5

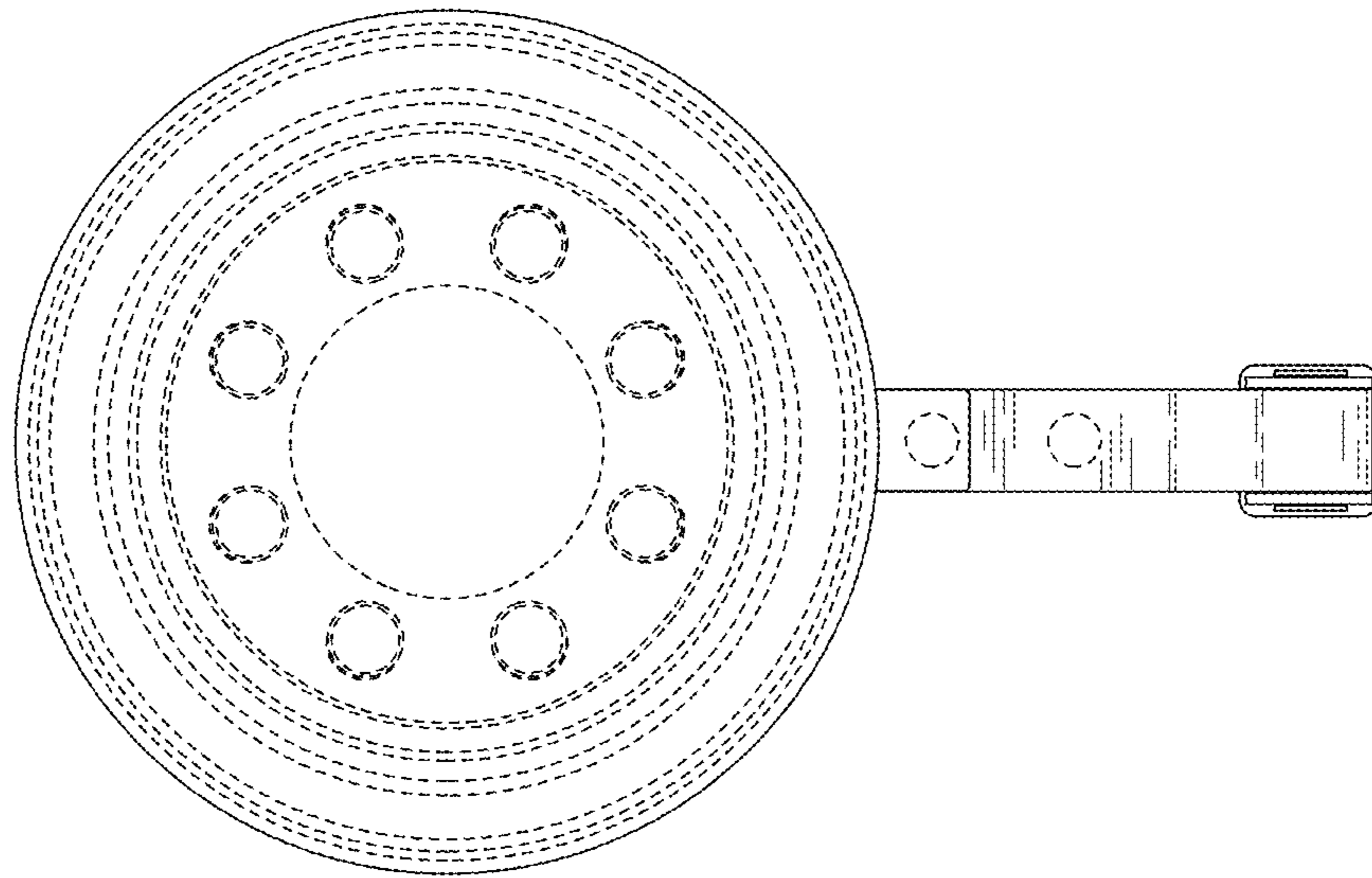


Fig. 6

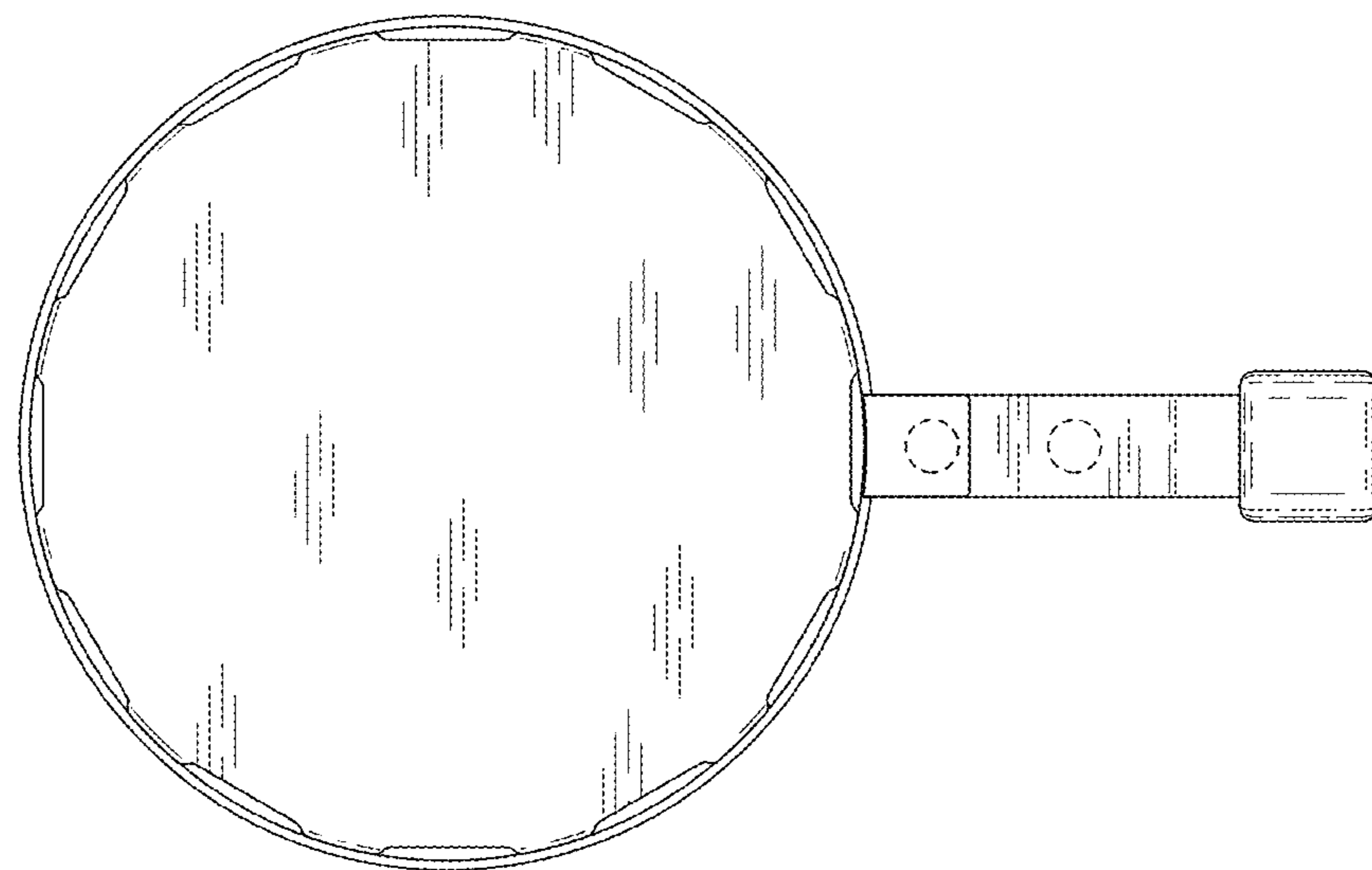


Fig. 7

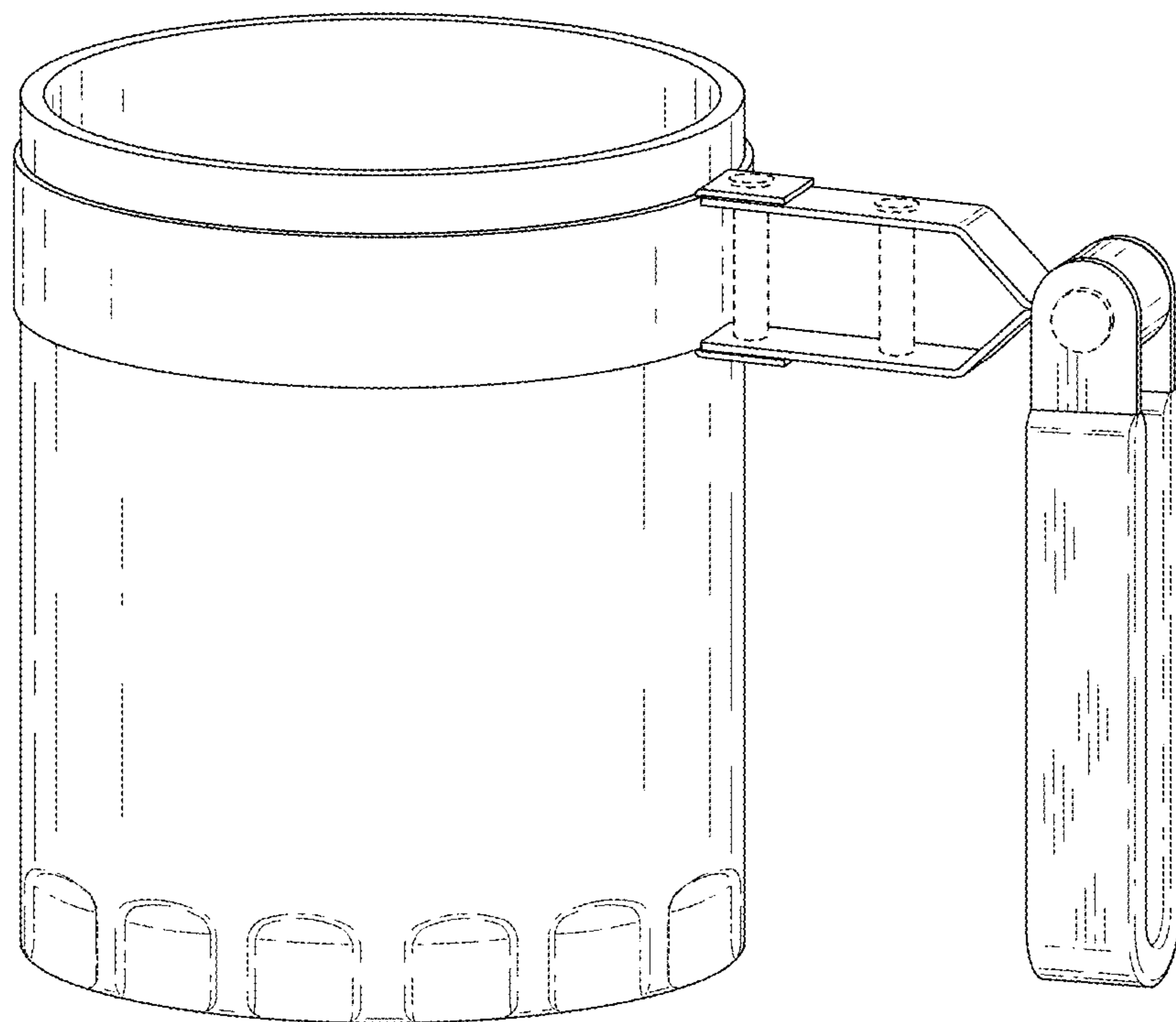


Fig. 8

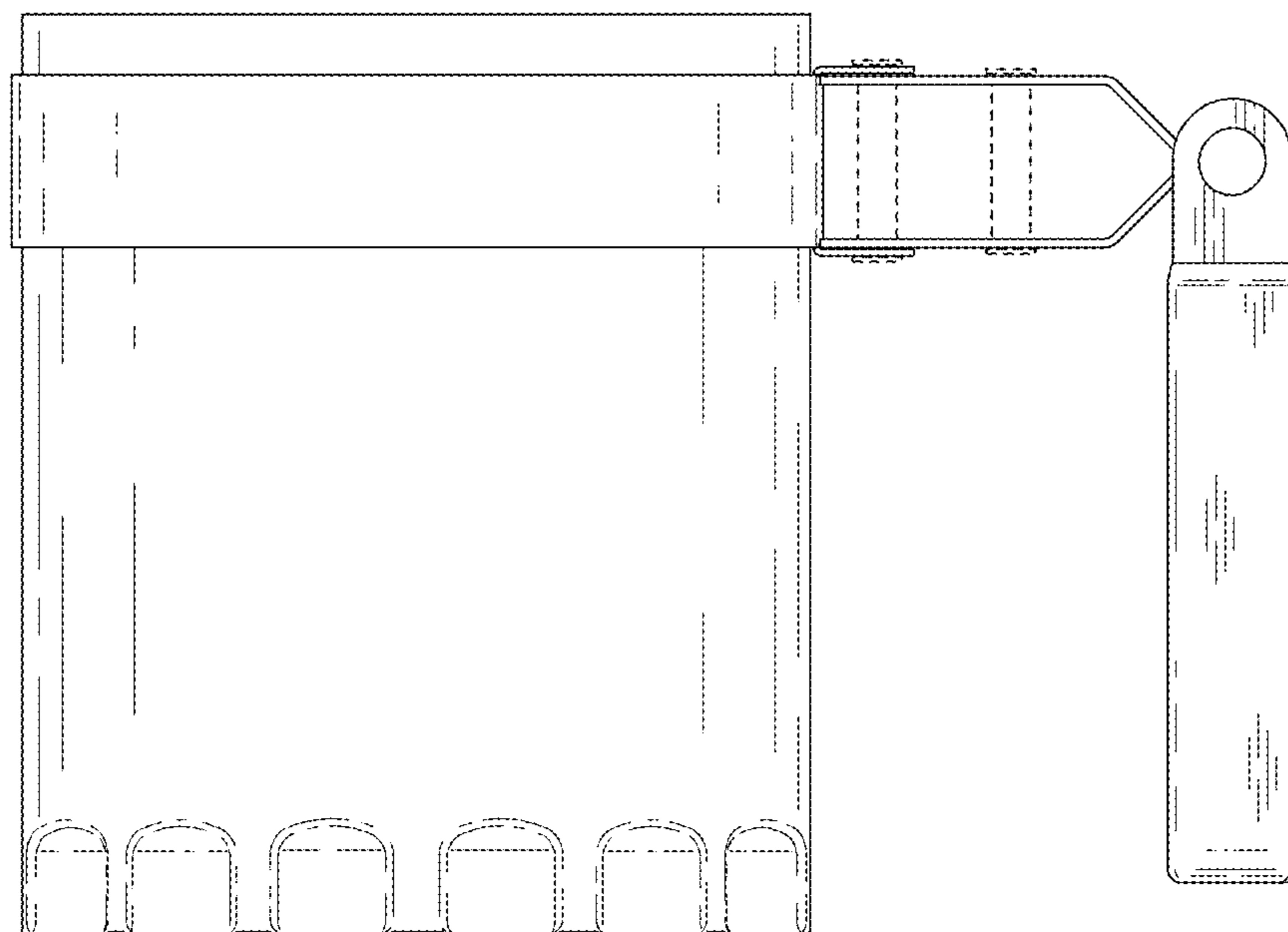


Fig. 9

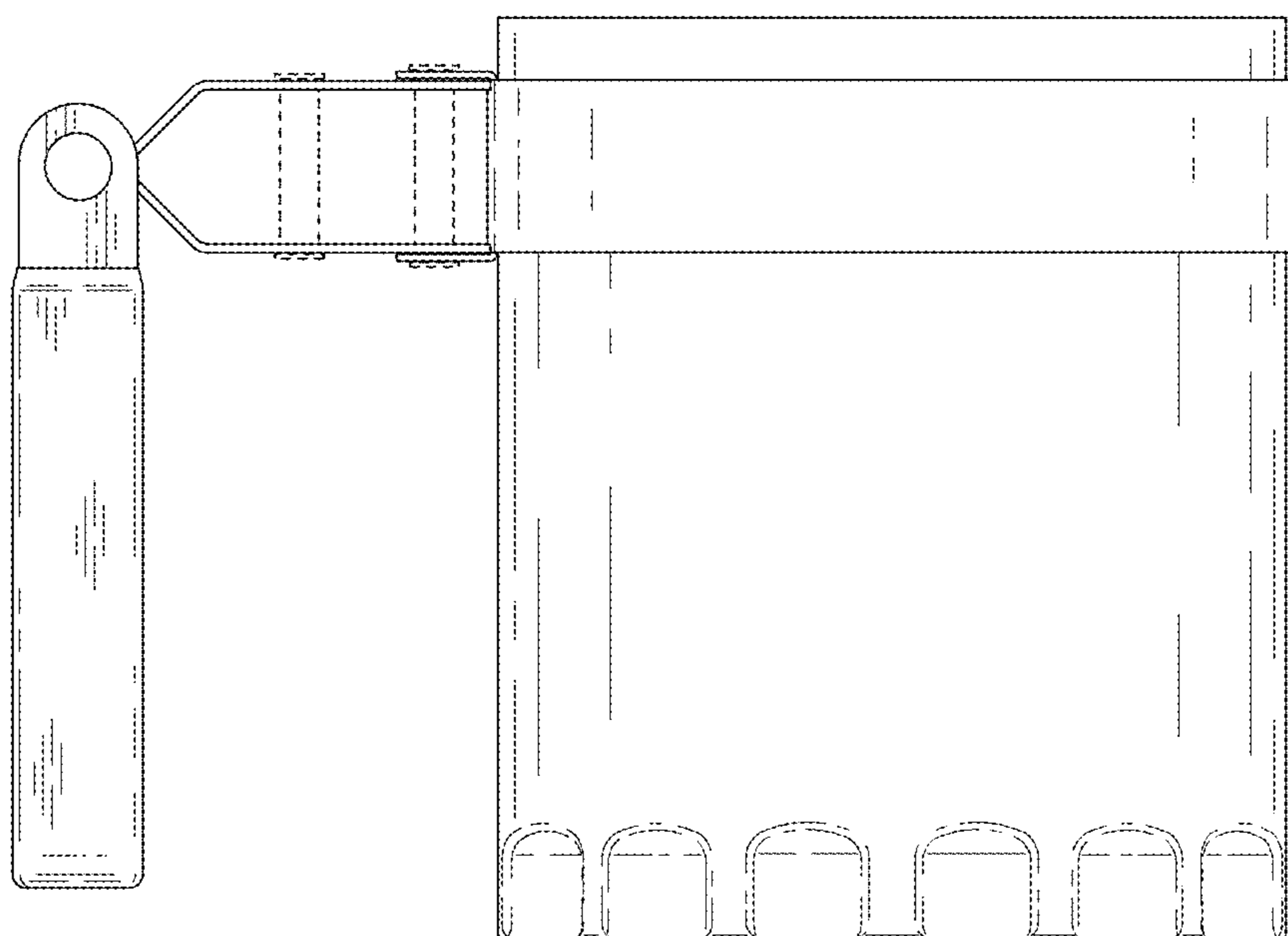


Fig. 10

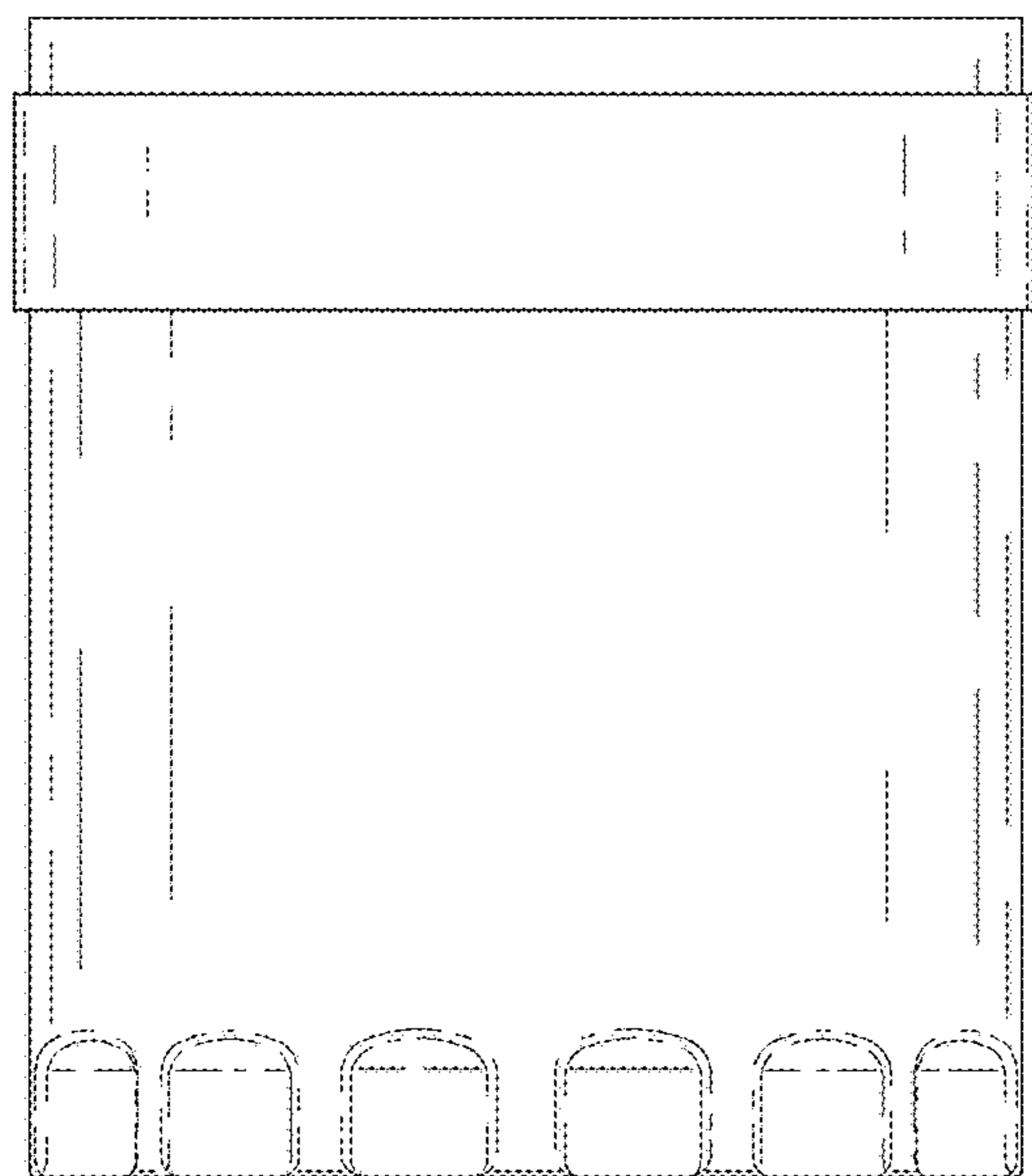


Fig. 11

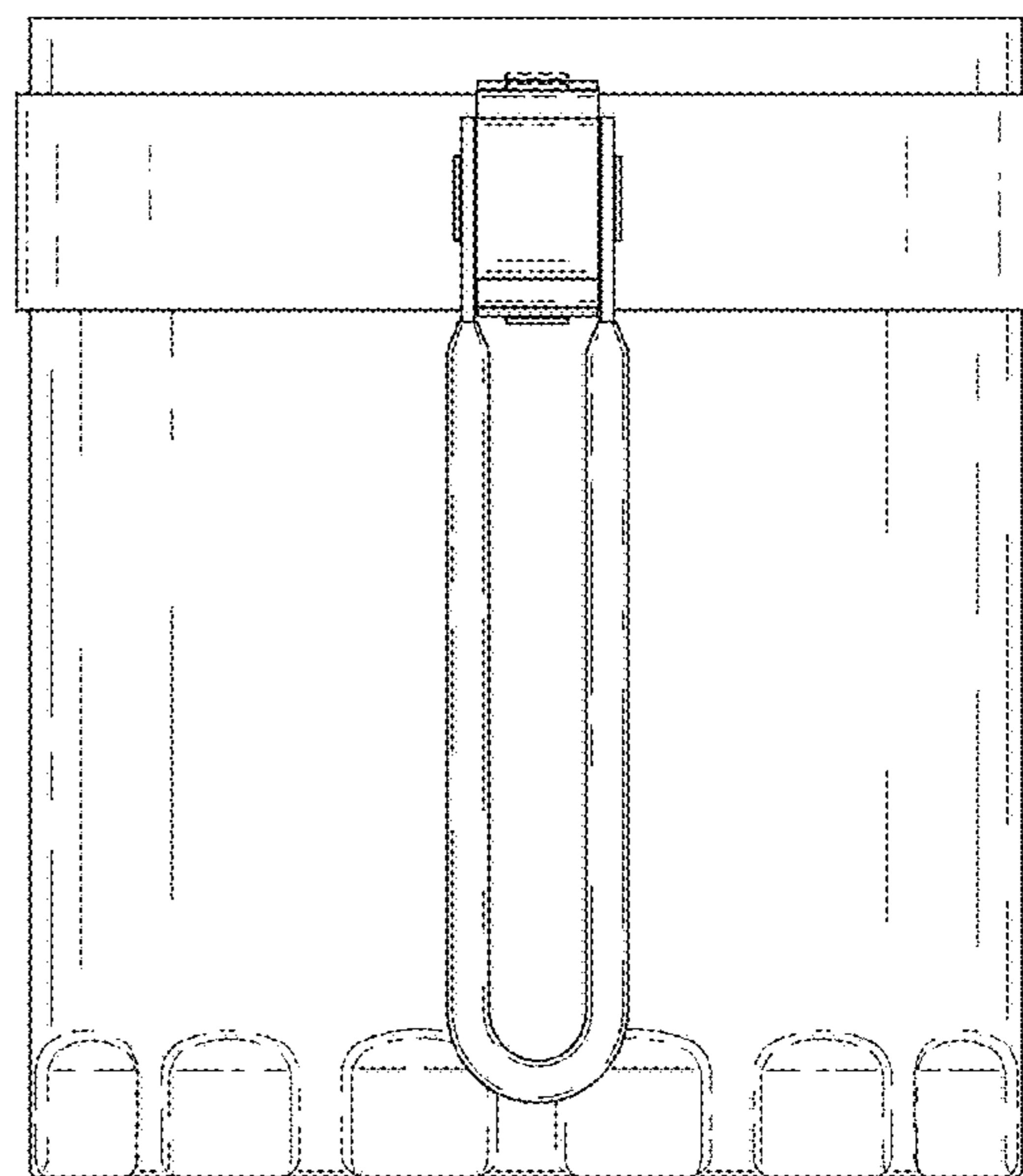


Fig. 12

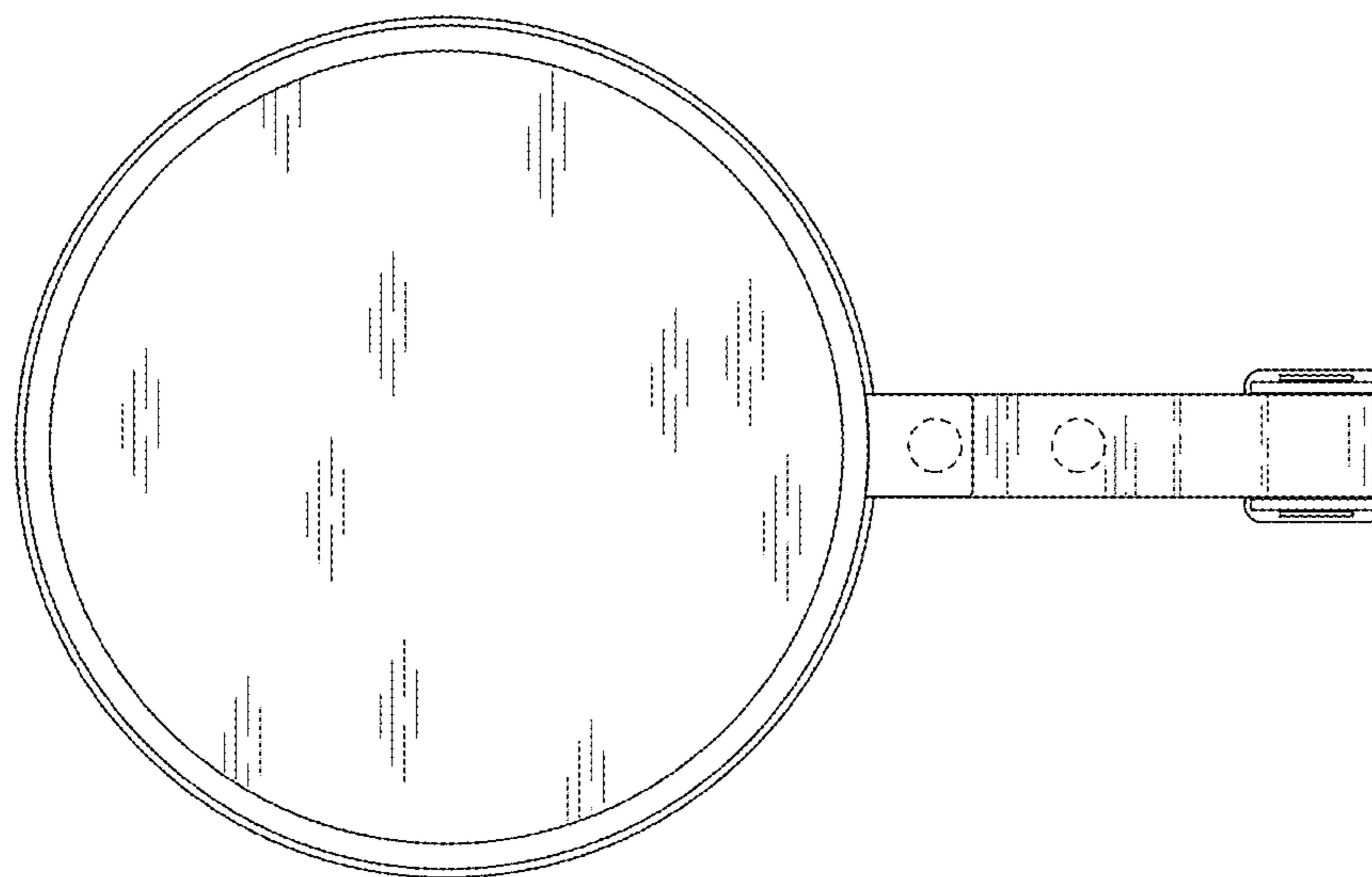


Fig. 13

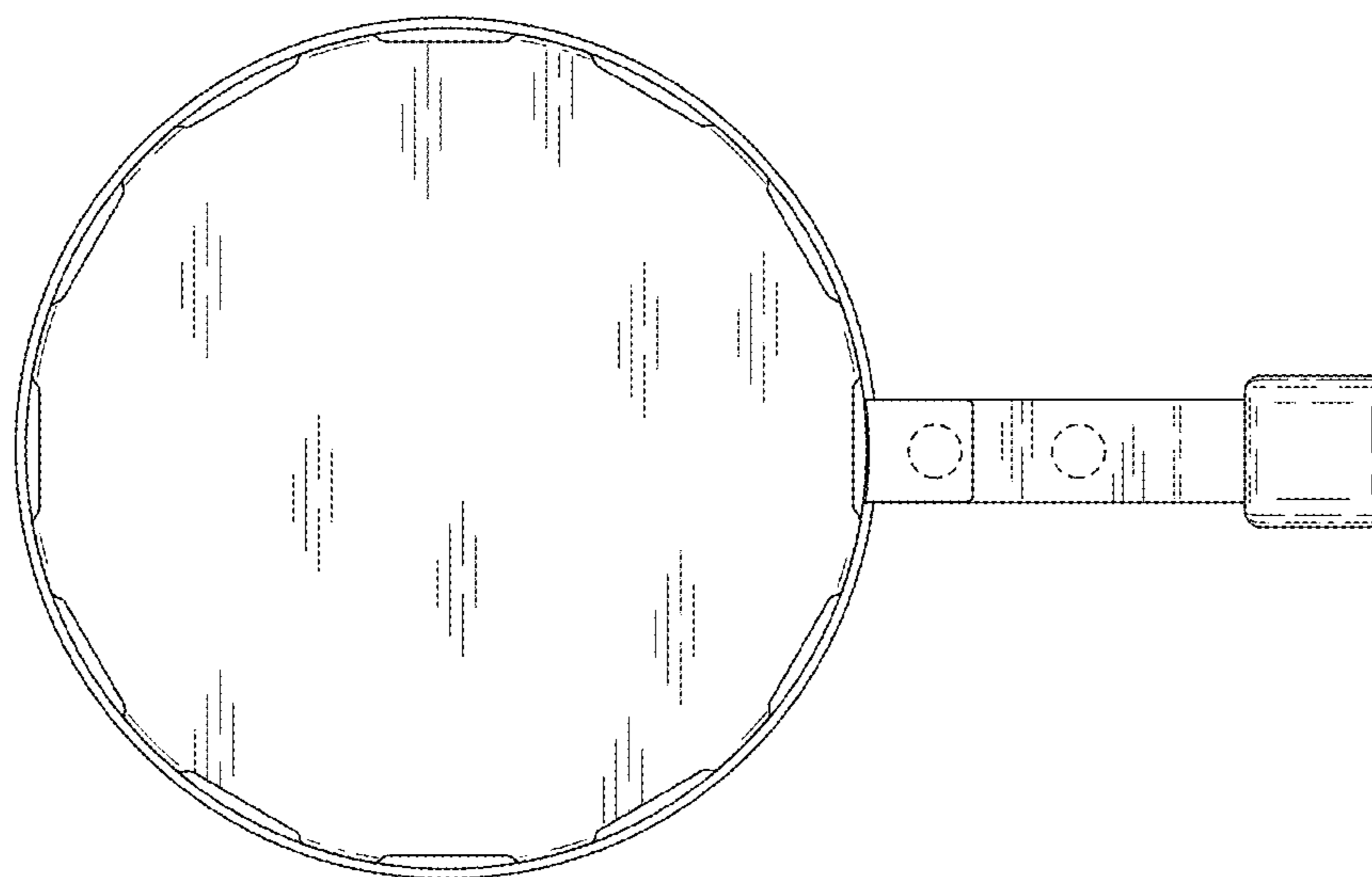


Fig. 14