



US00D792158S

(12) **United States Design Patent**  
**Di Giuseppantonio**

(10) **Patent No.:** **US D792,158 S**

(45) **Date of Patent:** **\*\* Jul. 18, 2017**

(54) **GLASS**

(71) Applicant: **BORMIOLI LUIGI S.p.A.**, Parma (IT)

(72) Inventor: **Vincenzo Di Giuseppantonio**, Fidenza (IT)

(73) Assignee: **BORMIOLI LUIGI S.P.A.**, Parma (IT)

(\*\*) Term: **15 Years**

(21) Appl. No.: **29/558,778**

(22) Filed: **Mar. 21, 2016**

(30) **Foreign Application Priority Data**

Sep. 21, 2015 (EM) ..... 002776054

(51) **LOC (10) Cl.** ..... **07-01**

(52) **U.S. Cl.**  
USPC ..... **D7/524; D7/523**

(58) **Field of Classification Search**  
USPC ..... D7/507, 509.524–509.528, 537, 300.2,  
D7/700; D27/118, 163; 220/592.16,  
220/592.17, 628, 669; D9/712  
CPC . B41P 2217/61; A47G 19/22; A47G 19/2205;  
A47G 23/03; A47G 19/12  
See application file for complete search history.

(56) **References Cited**

**U.S. PATENT DOCUMENTS**

D138,634 S \* 8/1944 Erbe ..... D7/524  
D168,409 S \* 12/1952 Kell ..... D7/524

D185,649 S \* 7/1959 Schlumbohm ..... D7/523  
D226,443 S \* 3/1973 Achenbach ..... D7/523  
6,189,715 B1 \* 2/2001 Dubois ..... A47G 19/2205  
215/374  
D459,156 S \* 6/2002 Davidson ..... D7/509  
D648,179 S \* 11/2011 Myers ..... D7/509  
D662,419 S \* 6/2012 Potts ..... D7/509  
D729,013 S \* 5/2015 Riedel ..... D7/524  
D731,855 S \* 6/2015 Riedel ..... D7/523  
D735,532 S \* 8/2015 Zollweg ..... D7/523  
D766,040 S \* 9/2016 Kehrein ..... D7/509

\* cited by examiner

*Primary Examiner* — Marianne Pandozzi

*Assistant Examiner* — Jae Liang

(74) *Attorney, Agent, or Firm* — Hedman & Costigan,  
P.C.; James V. Costigan; Kathleen A. Costigan

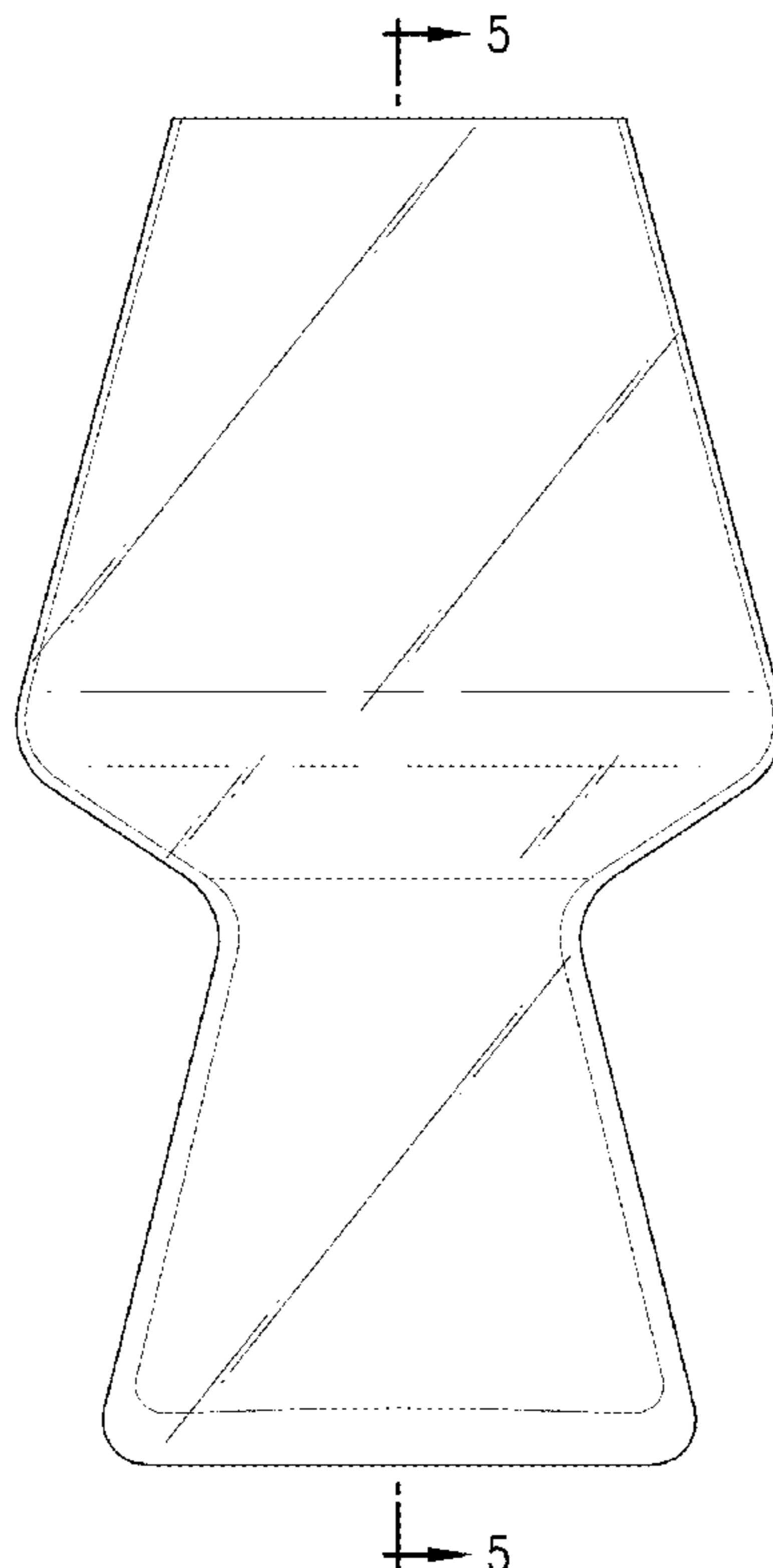
(57) **CLAIM**

I Claim the ornamental design for a glass, as shown and described.

**DESCRIPTION**

FIG. 1 is a perspective view of a glass showing my new design;  
FIG. 2 is a front elevational view thereof; the rear, right side, and left side elevational views being a mirror image thereof;  
FIG. 3 is a top plan view thereof;  
FIG. 4 is a bottom plan view thereof; and,  
FIG. 5 is a cross section view showing a section taken along line 5-5 of FIG. 2.

**1 Claim, 4 Drawing Sheets**



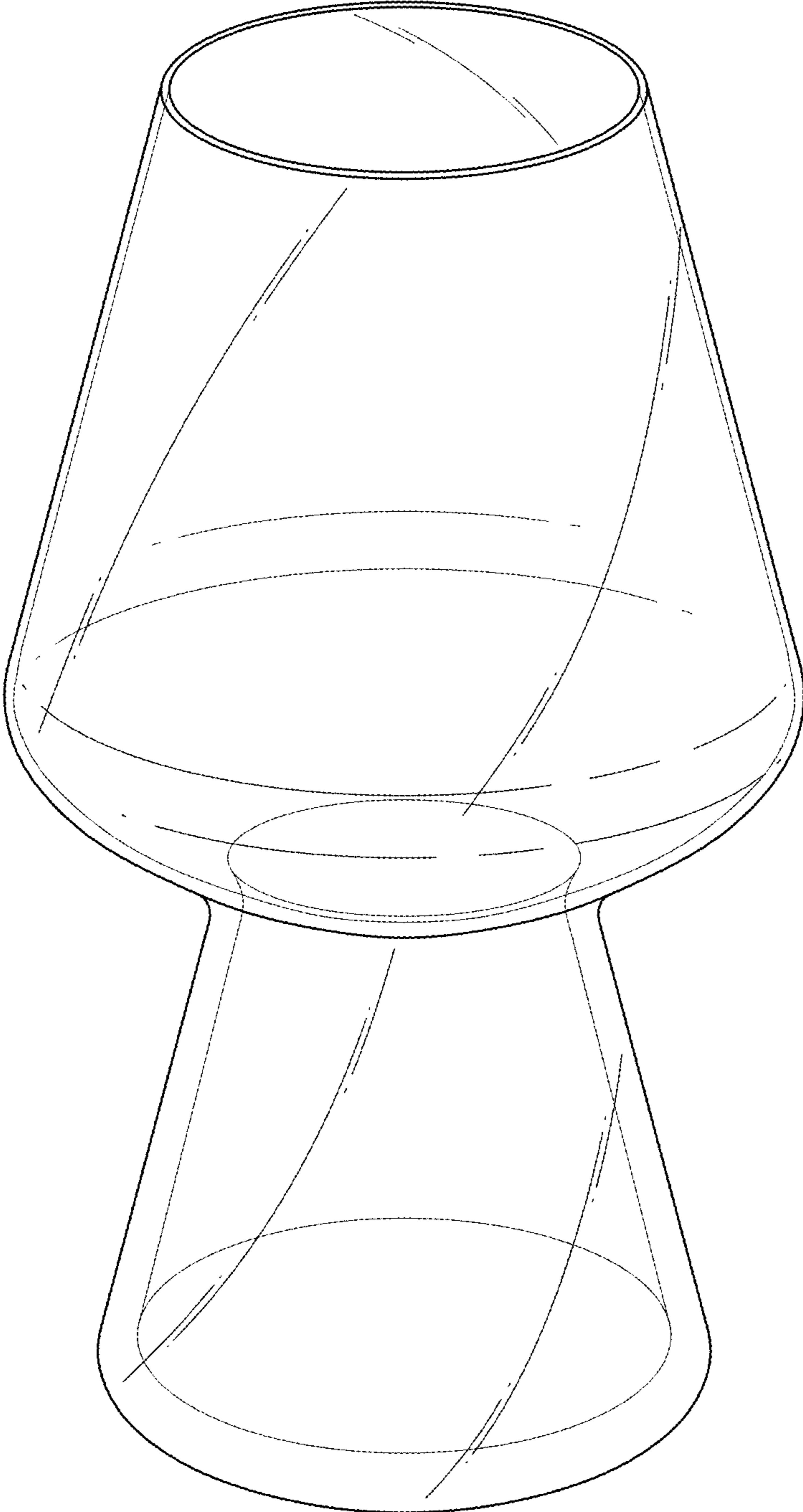


FIG. 1

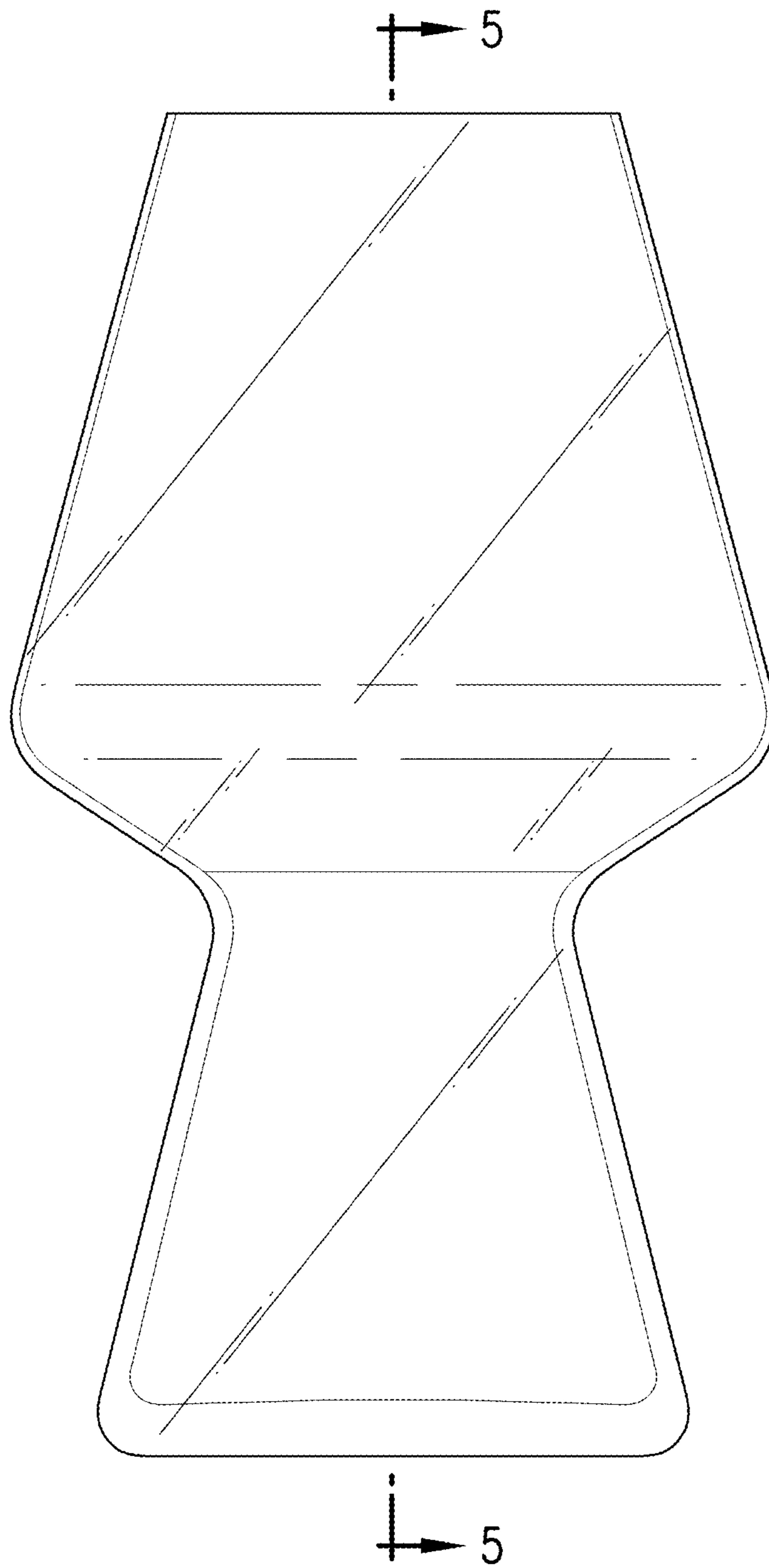


FIG.2

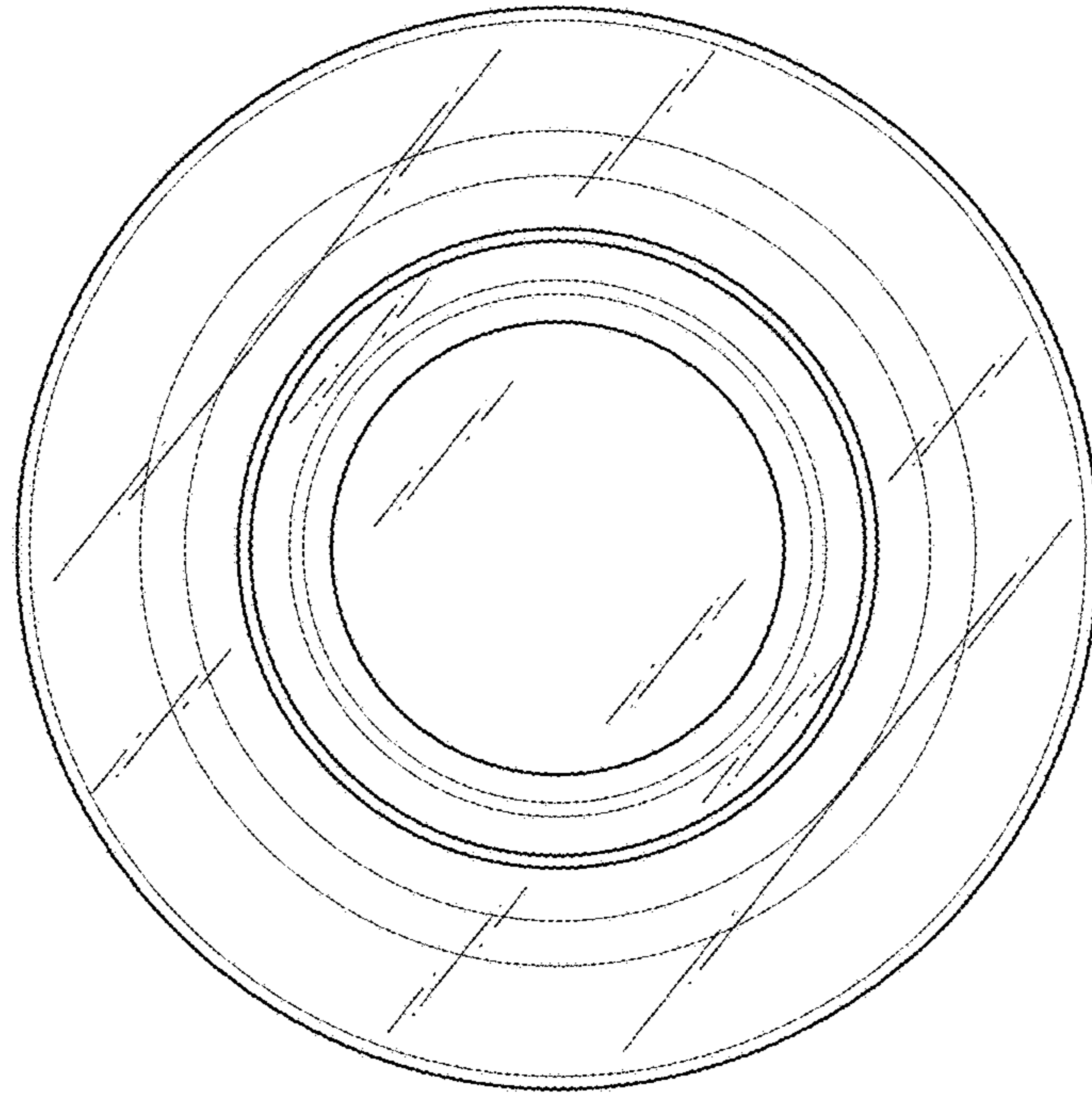


FIG. 3

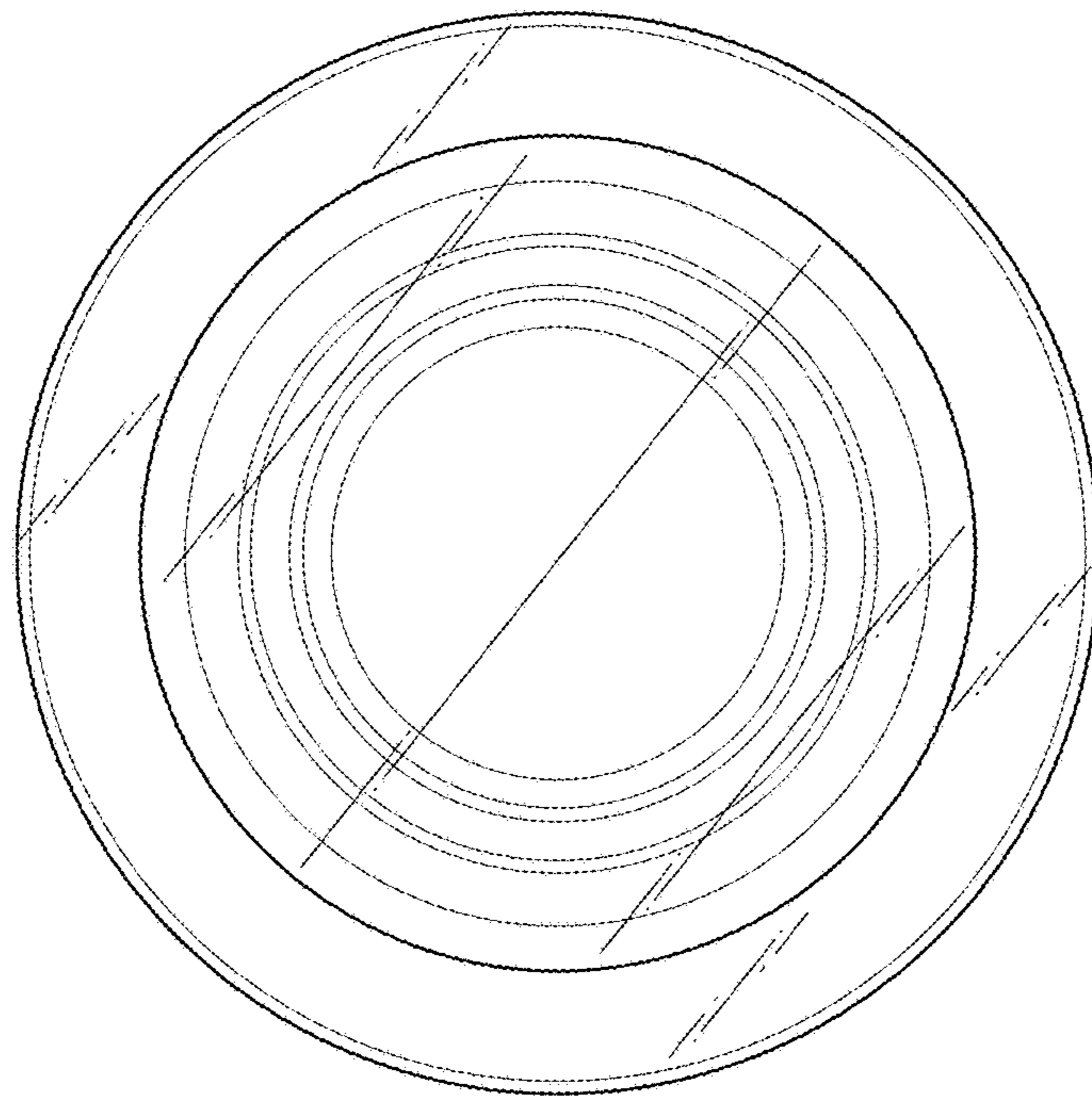


FIG. 4

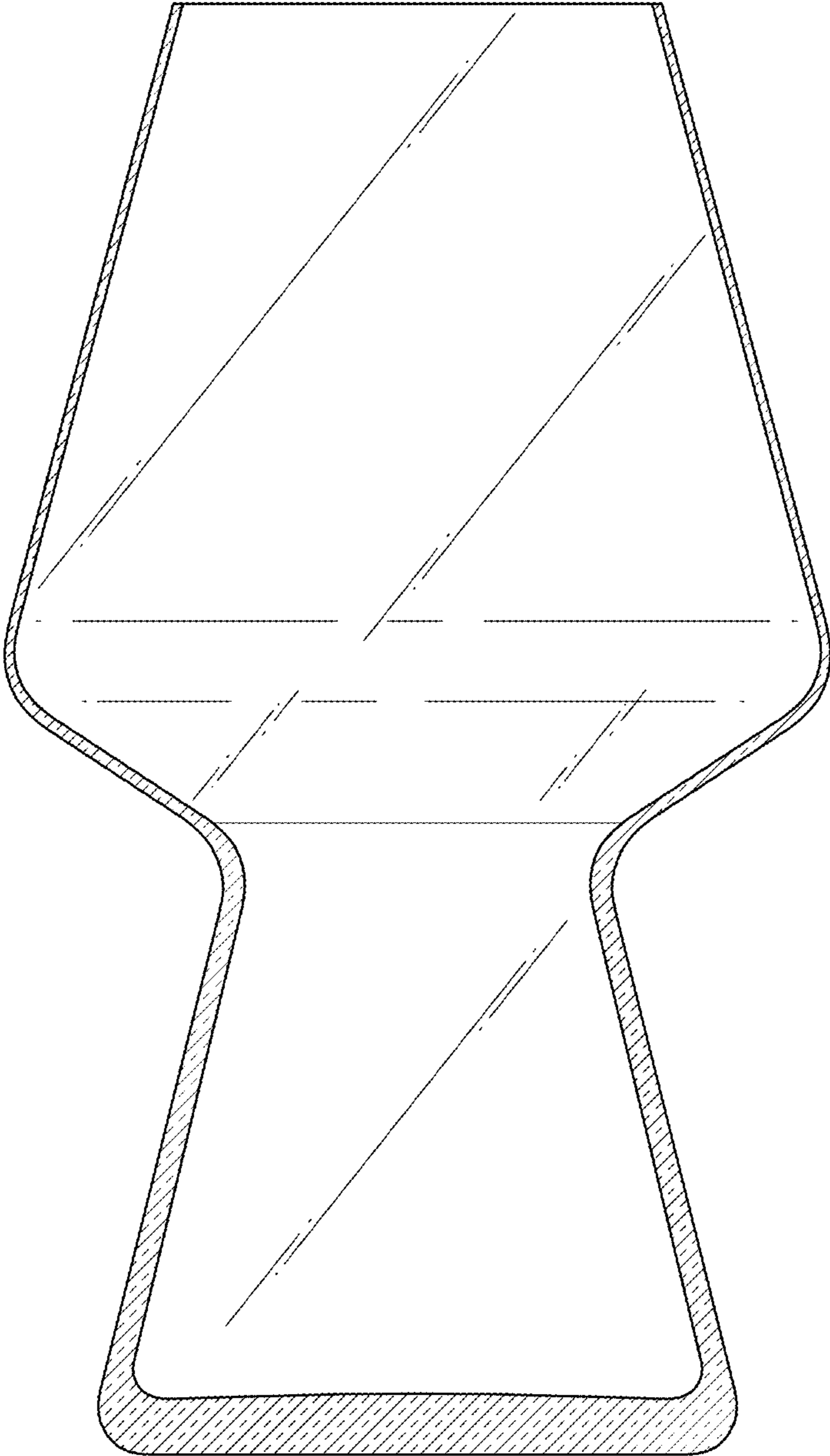


FIG. 5