



US00D792154S

(12) **United States Design Patent** (10) **Patent No.:** **US D792,154 S**
Berger (45) **Date of Patent:** **** Jul. 18, 2017**

- (54) **KNIFE HANDLE**
- (71) Applicant: **Ed. Wüsthof Dreizackwerk KG**, Solingen (DE)
- (72) Inventor: **Björn Berger**, Berlin (DE)
- (73) Assignee: **Ed. Wüsthof, Dreizackwerk KG**, Solingen (DE)
- (**) Term: **15 Years**
- (21) Appl. No.: **29/580,089**
- (22) Filed: **Oct. 5, 2016**

B26B 9/02; B26B 11/00; B26B 11/006; B26B 17/00; B26B 17/006; B26B 29/02
See application file for complete search history.

(56) **References Cited**

U.S. PATENT DOCUMENTS

5,081,770	A	1/1992	Fierthaler	
6,625,890	B2	9/2003	Hufnagel et al.	
D497,523	S *	10/2004	Chen	D7/401.2
D499,301	S *	12/2004	Chen	D7/401.2
D539,616	S *	4/2007	Taylor	D7/649
D551,518	S *	9/2007	Leuze	D7/649
D553,916	S	10/2007	Ono	
D557,081	S	12/2007	Hadj-Chikh et al.	
D565,359	S *	4/2008	Thun	D7/649
D587,963	S *	3/2009	Elsener	D7/395
D629,260	S *	12/2010	Krent	D7/649
D632,934	S	2/2011	Thun	
D633,345	S	3/2011	Ranieri	
D643,258	S	8/2011	Spiegel	
D643,263	S *	8/2011	Spiegel	D7/649
D649,411	S	11/2011	Lo	

(Continued)

Primary Examiner — Ricky Pham
(74) *Attorney, Agent, or Firm* — Cahn & Samuels, LLP

(57) **CLAIM**

The ornamental design for a knife handle, as shown and described.

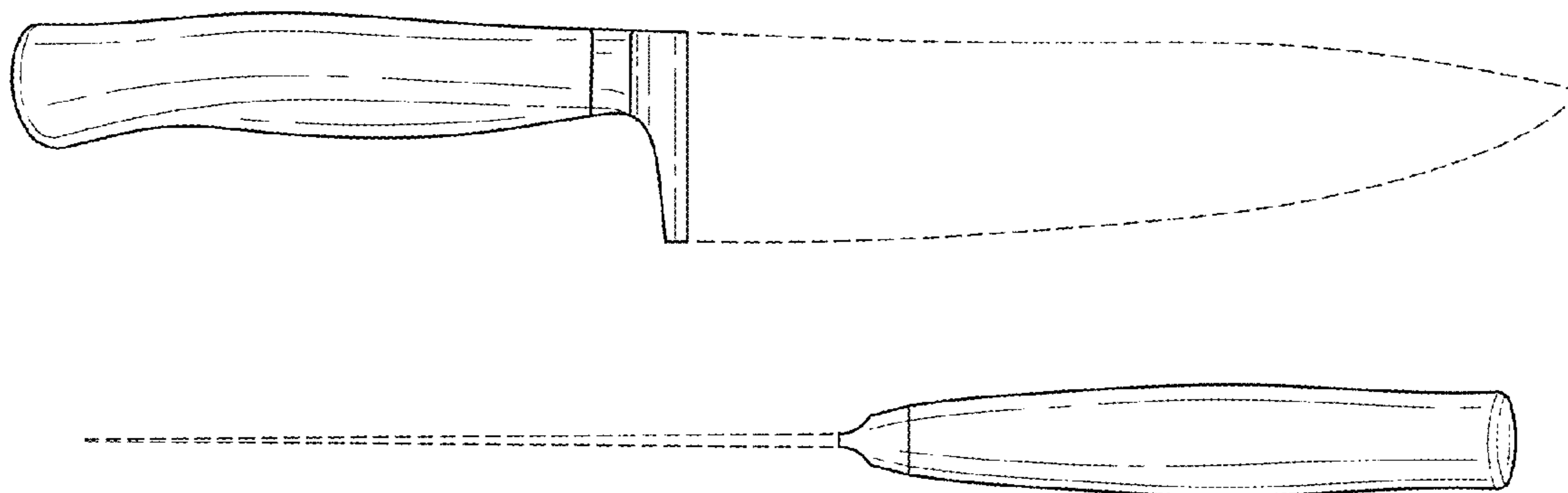
DESCRIPTION

FIG. 1 is a right side view of a knife handle according to the present invention. The left side view is a mirror image of the right side view.

FIG. 2 is a bottom view of the knife handle of FIG. 1; and, FIG. 3 is a rear perspective view of the knife handle of FIG. 1.

The broken line illustration of a portion of the knife blade is an environmental structure and is not part of the design sought to be claimed.

1 Claim, 1 Drawing Sheet



(56)

References Cited

U.S. PATENT DOCUMENTS

D649,841 S	12/2011	Lo	
D661,553 S	6/2012	Bauer	
D674,670 S	1/2013	Thun	
D694,065 S *	11/2013	Levy	D7/401.2
D706,085 S	6/2014	Tarrerias	
D710,158 S	8/2014	Berger	
D747,161 S *	1/2016	Makela	D7/649
D764,867 S	8/2016	Haas	
D770,849 S *	11/2016	de la Coussaye	D7/349
D773,886 S *	12/2016	McConnell	D7/401.2
D773,887 S *	12/2016	Berger	D7/401.2

* cited by examiner

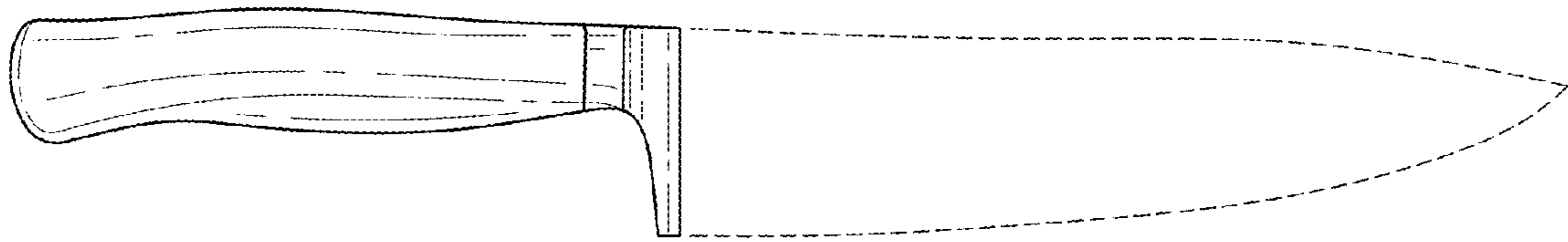


FIG. 1

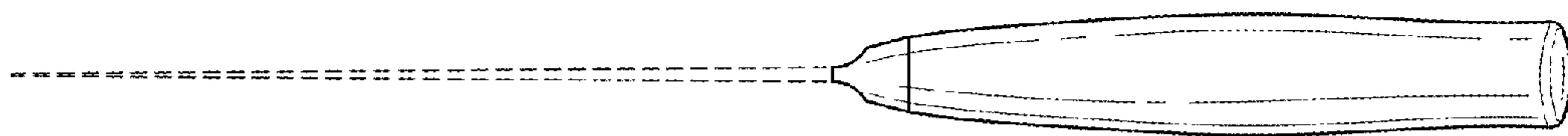


FIG. 2

FIG. 3

