



US00D792148S

(12) **United States Design Patent**  
**Chung**

(10) **Patent No.:** **US D792,148 S**

(45) **Date of Patent:** **\*\* Jul. 18, 2017**

(54) **BARBECUE GRILL**

(71) Applicant: **Shu-Jui Chung**, Taichung (TW)

(72) Inventor: **Shu-Jui Chung**, Taichung (TW)

(\*\*) Term: **15 Years**

(21) Appl. No.: **29/542,108**

(22) Filed: **Oct. 10, 2015**

(51) **LOC (10) Cl.** ..... **07-02**

(52) **U.S. Cl.**  
USPC ..... **D7/334**

(58) **Field of Classification Search**

USPC ..... D7/323-337, 402-407, 362, 416, 417,  
D7/357, 408; 126/25 R, 9 R; D23/343,  
D23/415, 350, 348, 403, 409, 416, 418,  
D23/419; D22/112; D26/8  
CPC ..... A47J 33/00; A47J 37/04; A47J 37/041;  
A47J 37/07-37/0713; A47J  
37/718-37/0727; A47J 37/0731; A47J  
37/074; A47J 37/0781; A47J 2037/0777;  
A47J 37/0786; A47J 37/079; A47J 36/26;  
A47J 36/36; F24B 1/02; F24B 1/022;  
F24B 1/18; F24B 1/182; F24B 1/202;  
F24B 1/181; F24C 3/14; F24C 1/16;  
F24C 15/10; F23D 14/00-14/10; F23D  
91/00; B05B 17/08

See application file for complete search history.

(56) **References Cited**

**U.S. PATENT DOCUMENTS**

D466,359 S \* 12/2002 Bossler ..... D7/334  
D507,927 S \* 8/2005 Nipke ..... D7/334

D510,838 S \* 10/2005 Nipke ..... D7/334  
D516,366 S \* 3/2006 Nipke ..... D7/334  
D528,847 S \* 9/2006 Chung ..... D7/334  
D619,416 S \* 7/2010 Bailey ..... D7/402  
D623,003 S \* 9/2010 Chung ..... D7/334  
D717,094 S \* 11/2014 Chung ..... D7/334  
D717,096 S \* 11/2014 Chung ..... D7/334  
D717,097 S \* 11/2014 Lin ..... D7/334  
D753,430 S \* 4/2016 Wagner ..... D7/334  
2011/0209695 A1 \* 9/2011 Yeh ..... A47J 37/0704  
126/25 A  
2016/0051089 A1 \* 2/2016 Ahmed ..... A47J 37/0709  
126/25 R

\* cited by examiner

*Primary Examiner* — Susan Bennett Hattan

*Assistant Examiner* — Brett Miller

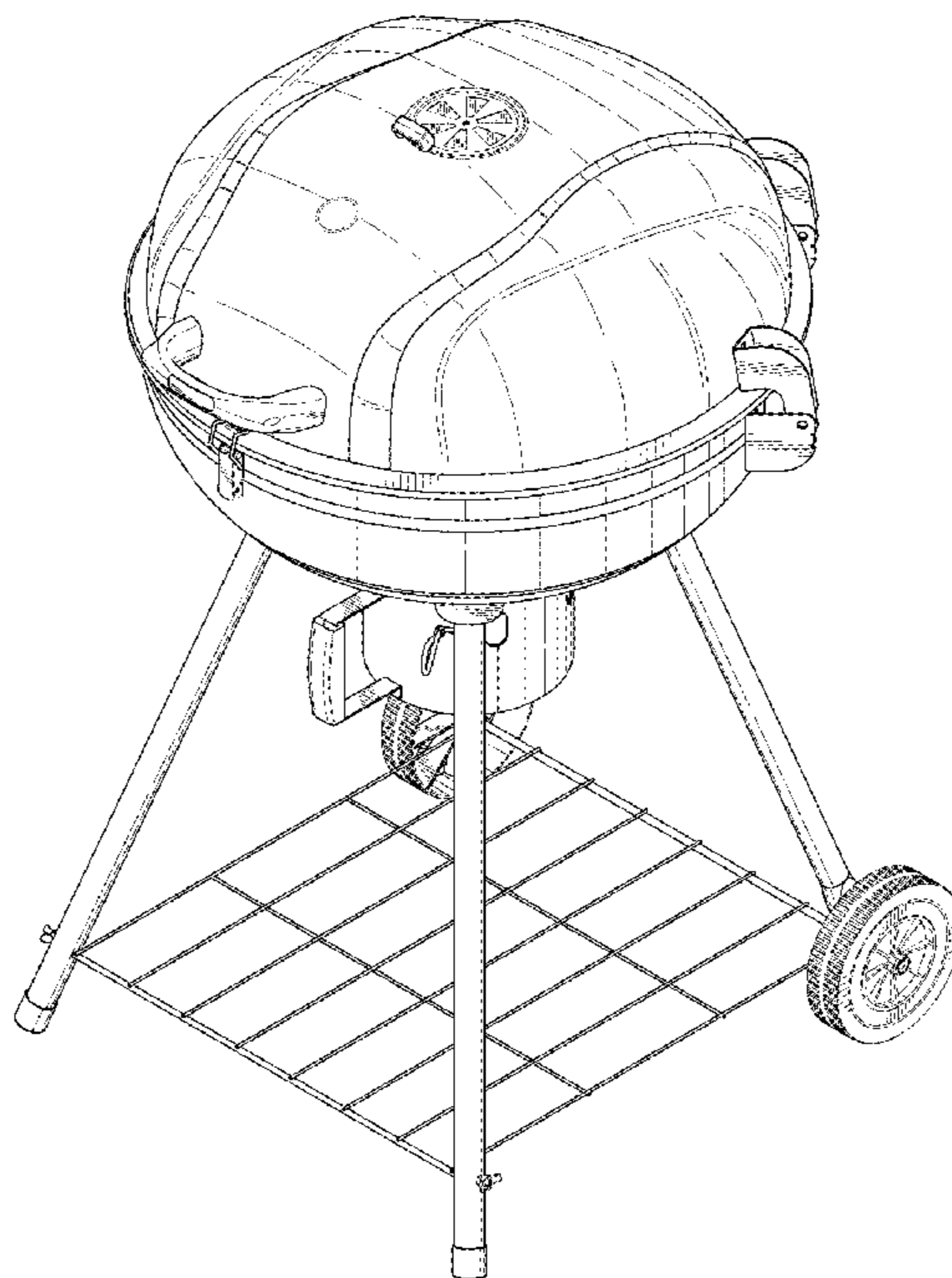
(57) **CLAIM**

I claim the ornamental design for a barbecue grill, as shown and described.

**DESCRIPTION**

FIG. 1 is a perspective view of a barbecue grill, showing my new design;  
FIG. 2 is a front elevational view thereof;  
FIG. 3 is a rear elevational view thereof;  
FIG. 4 is a left side elevational view thereof;  
FIG. 5 is a right side elevational view thereof;  
FIG. 6 is a top plan view thereof; and,  
FIG. 7 is a bottom plan view thereof.

**1 Claim, 7 Drawing Sheets**



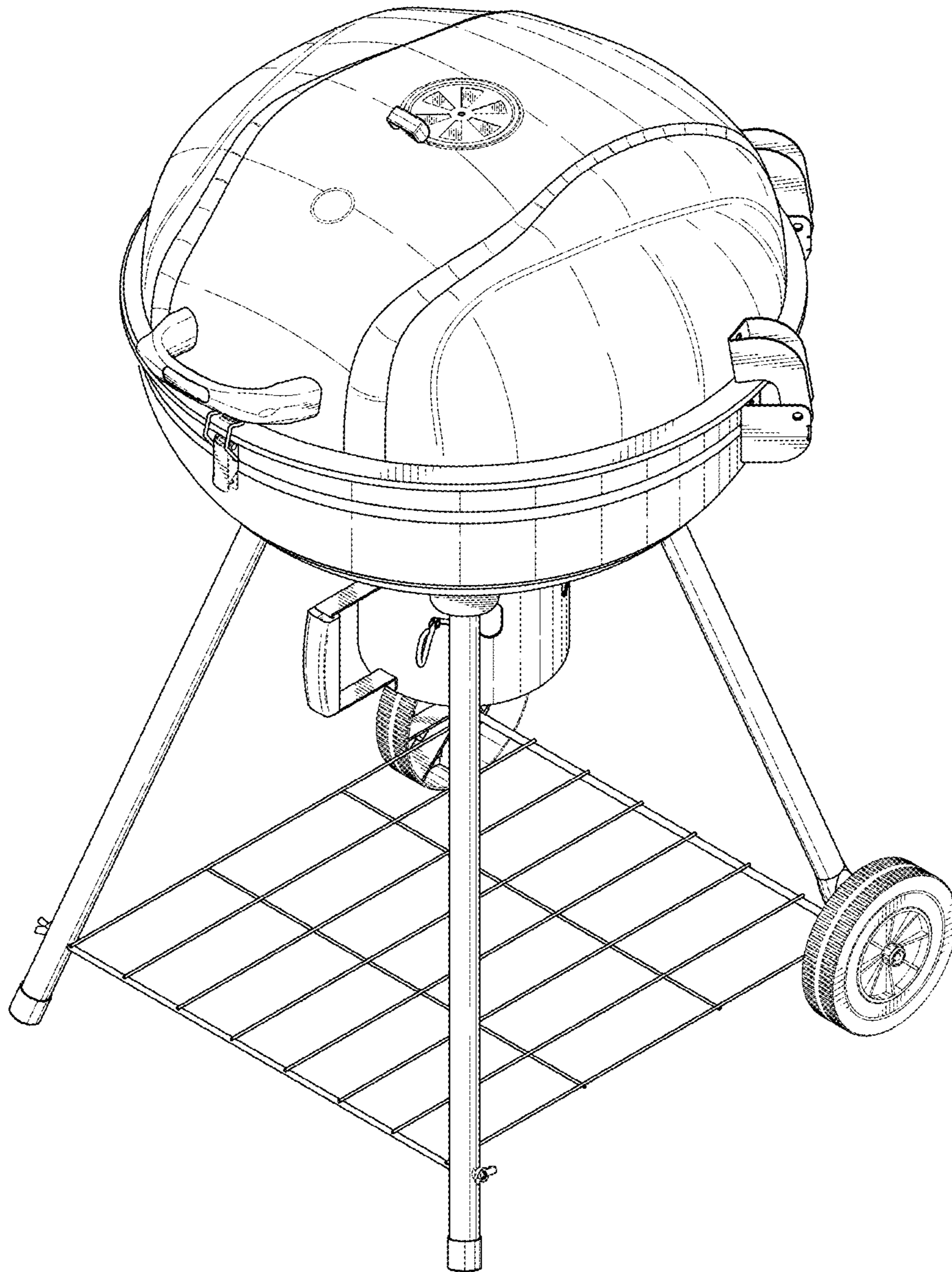


FIG. 1

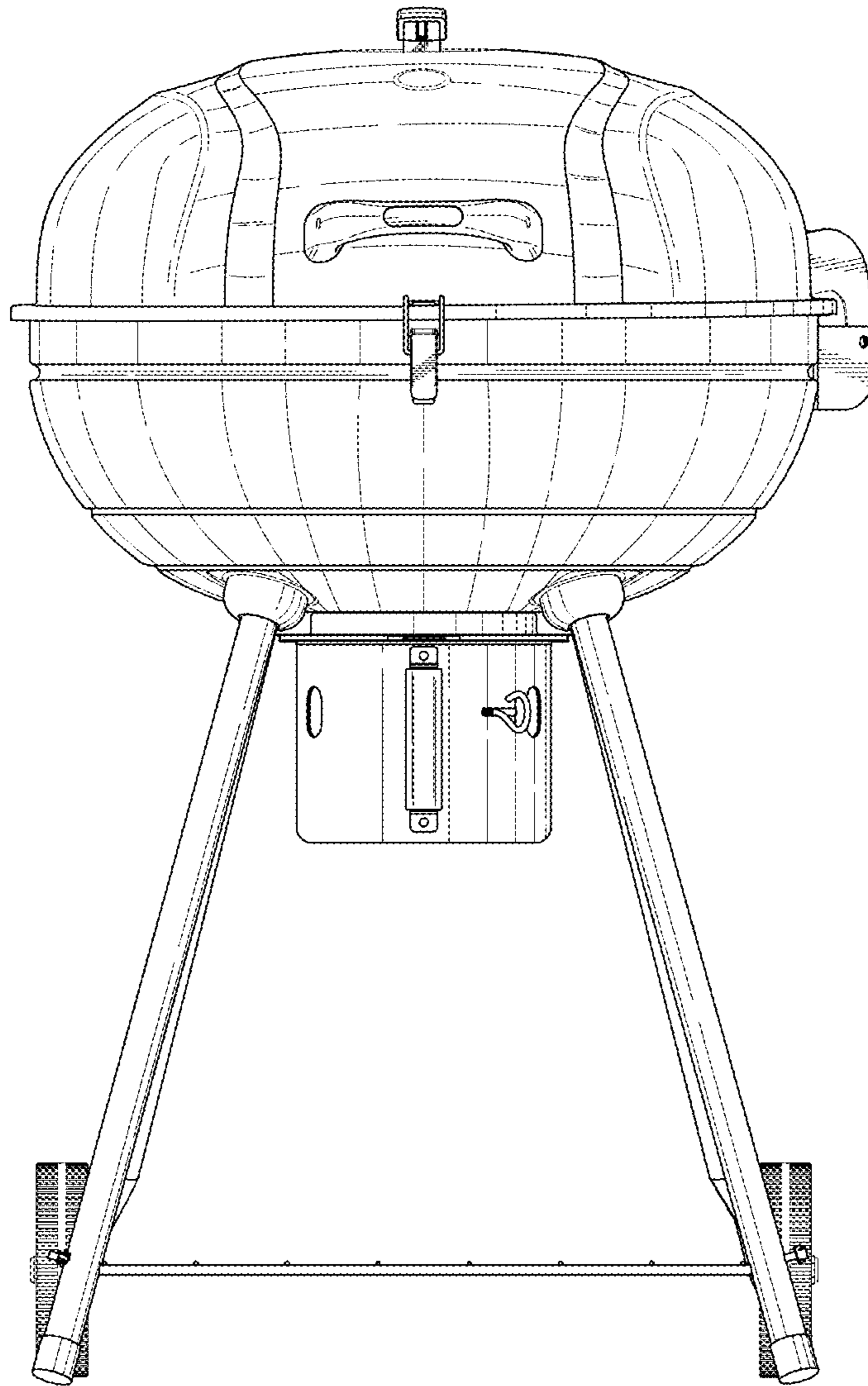


FIG. 2

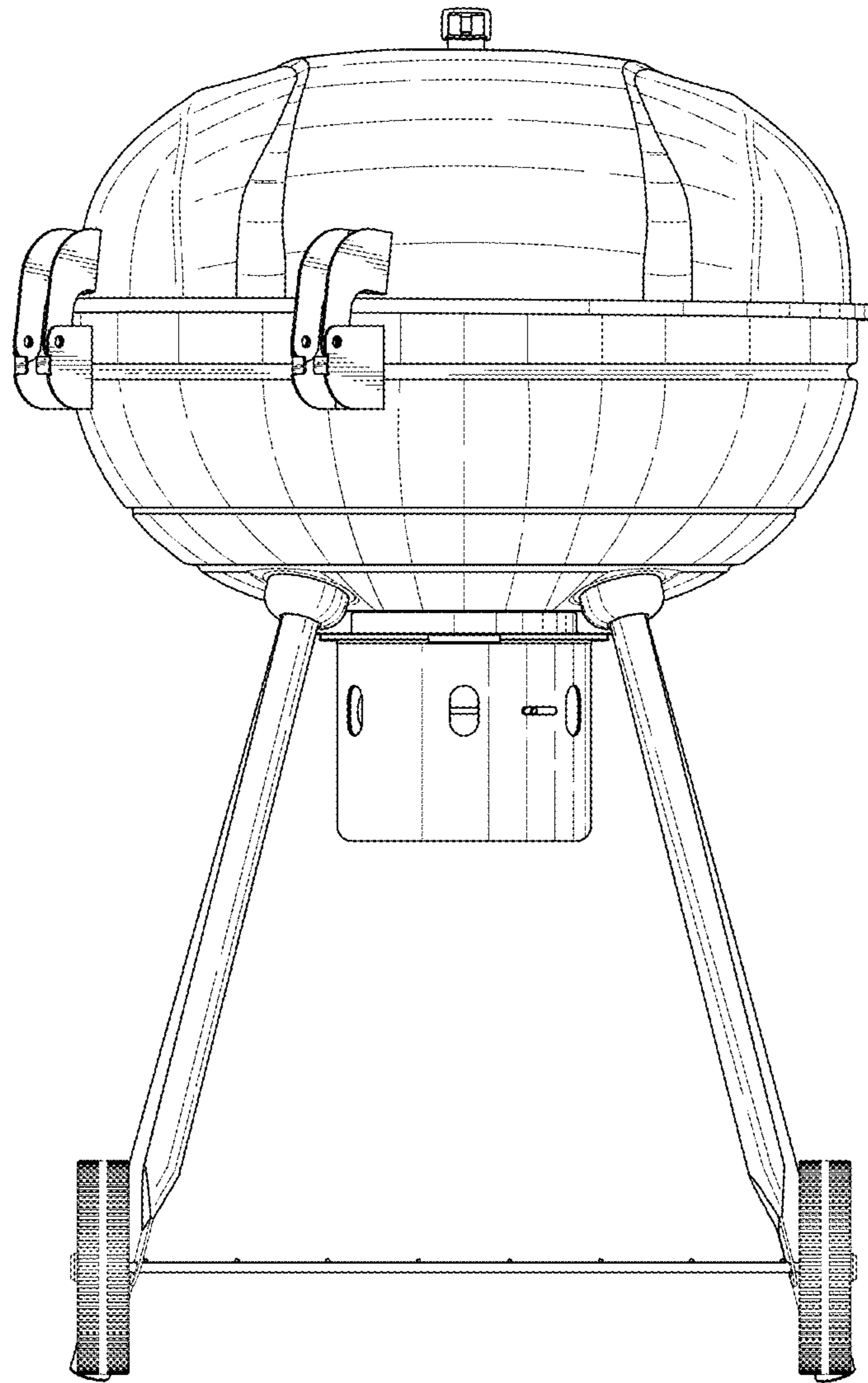


FIG. 3

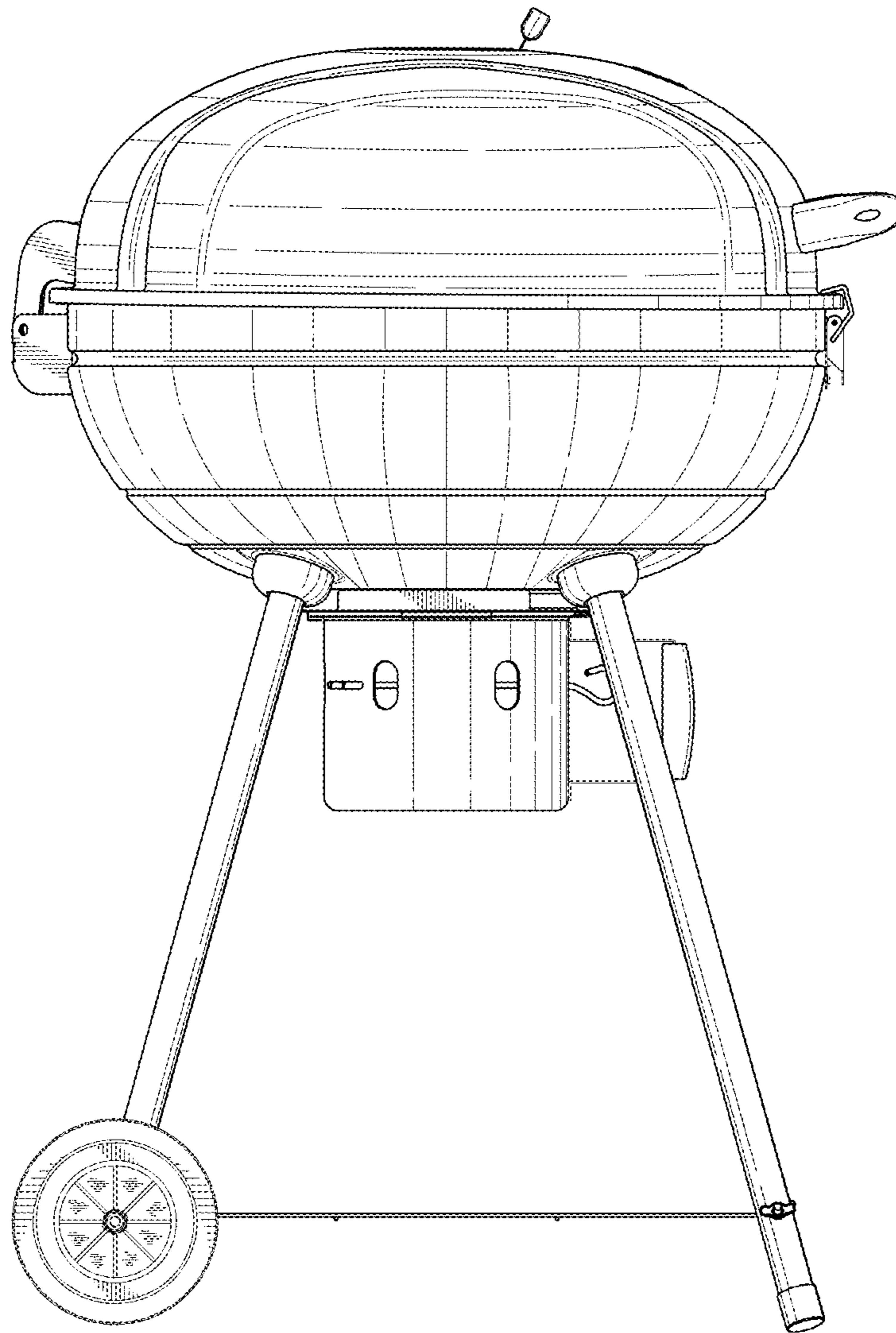


FIG. 4

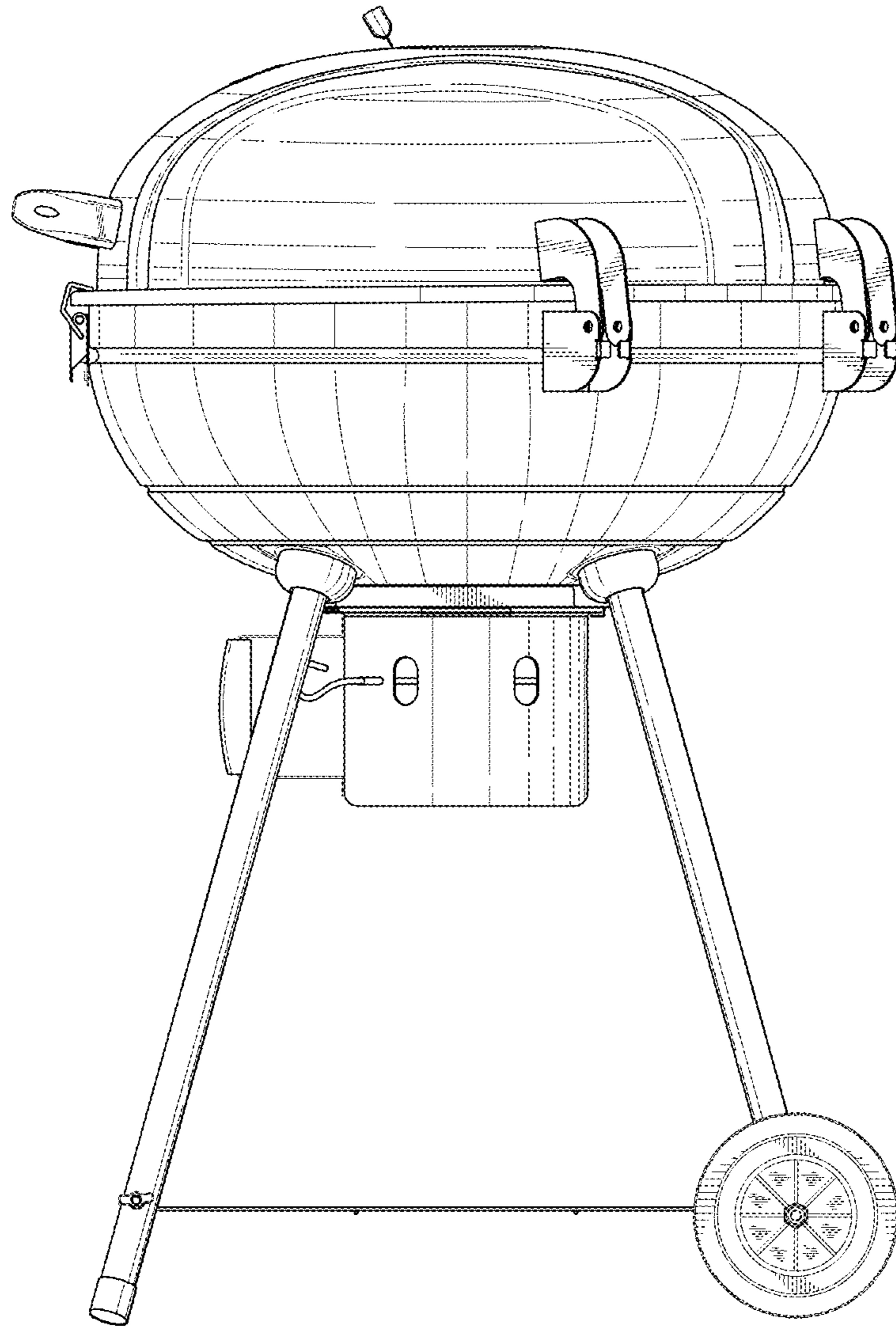


FIG. 5

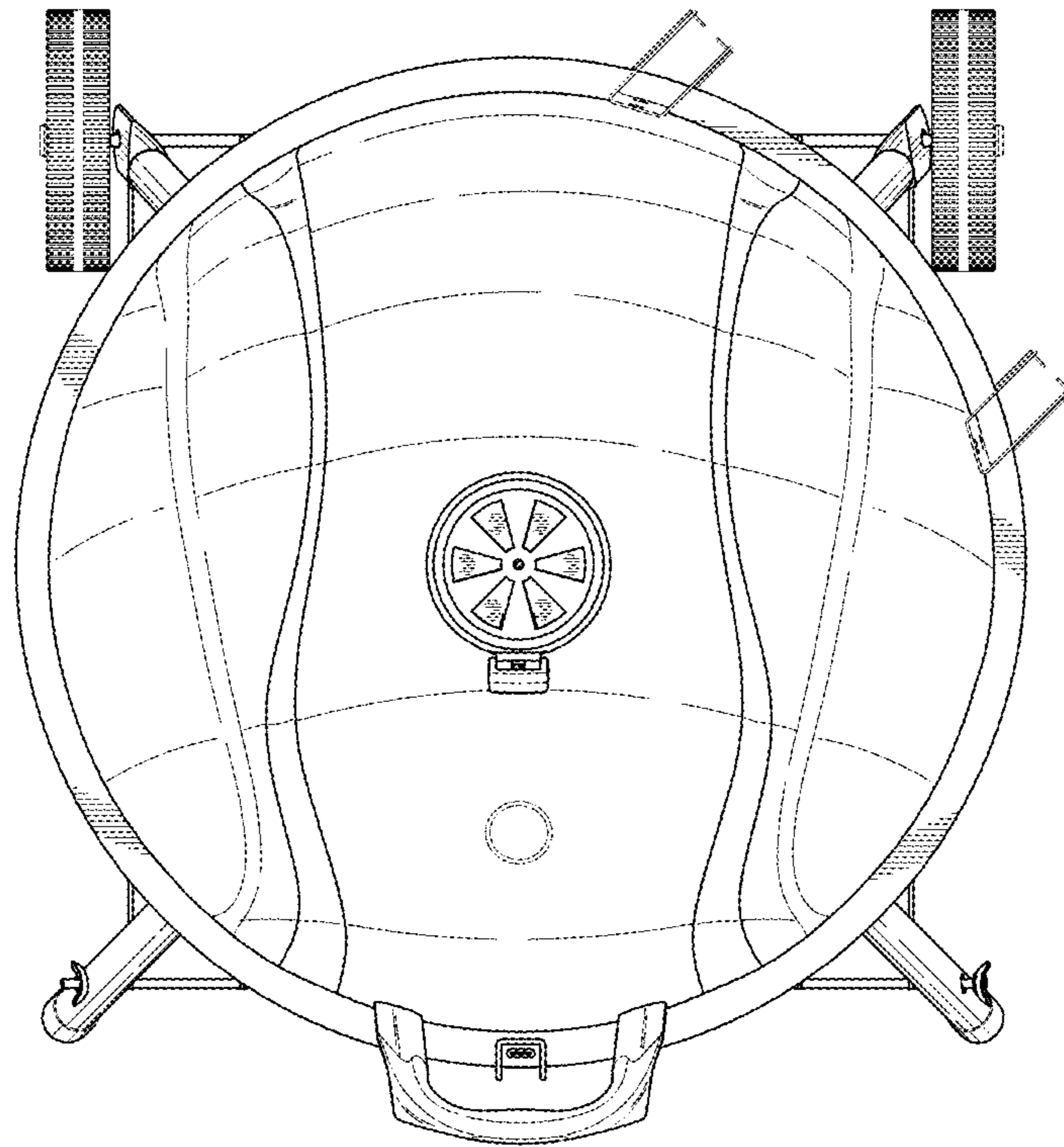


FIG. 6

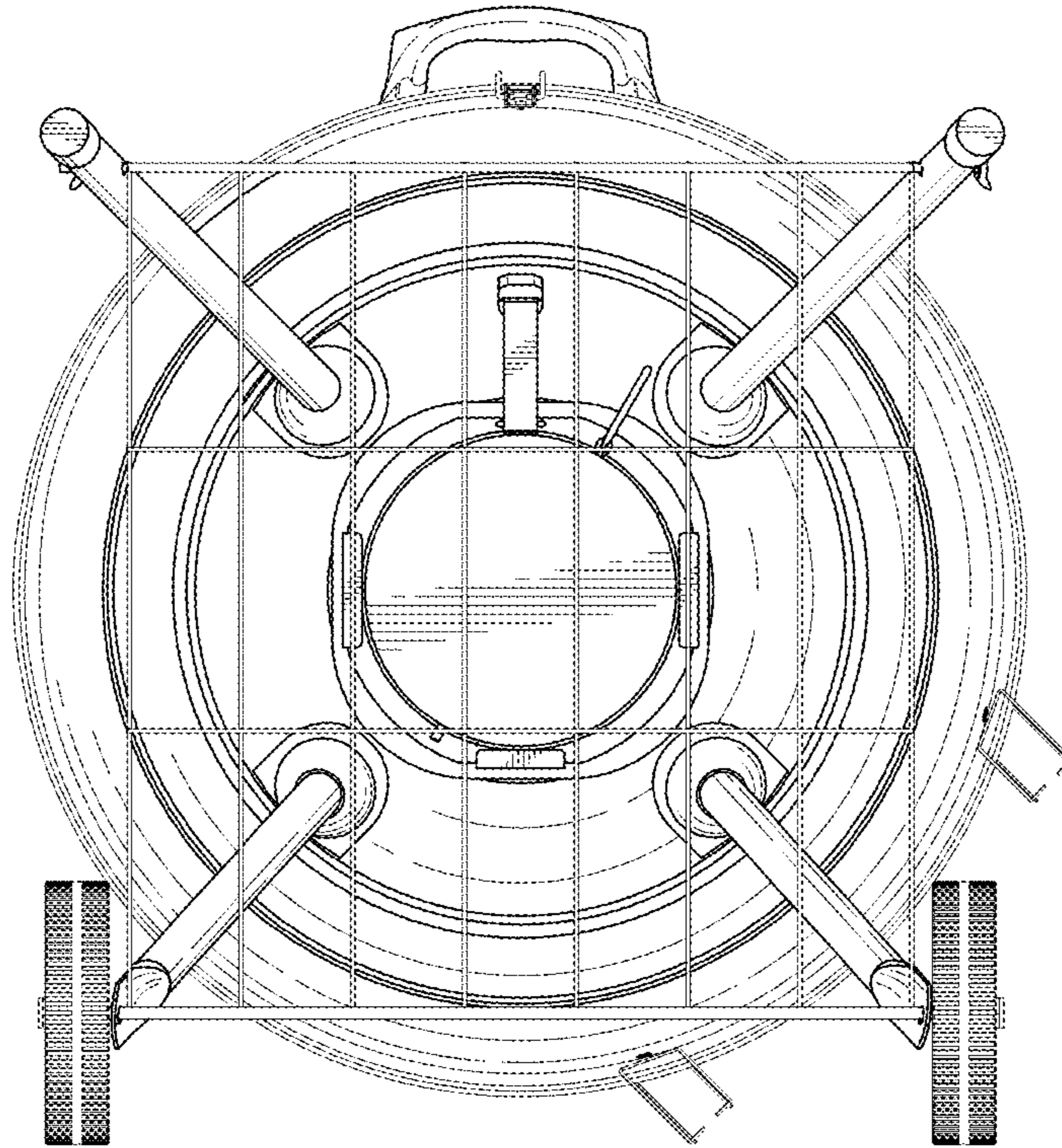


FIG. 7