



US00D792147S

(12) **United States Design Patent**  
**Averty**

(10) **Patent No.:** **US D792,147 S**  
(45) **Date of Patent:** **\*\* Jul. 18, 2017**

(54) **ELECTRIC TOASTER**

(71) Applicant: **SEB, Selongey (FR)**

(72) Inventor: **Lionel Averty, Dijon (FR)**

(73) Assignee: **SEB, Selongy (FR)**

(\*\*) Term: **15 Years**

(21) Appl. No.: **29/571,933**

(22) Filed: **Jul. 22, 2016**

(30) **Foreign Application Priority Data**

Jan. 22, 2016 (EM) ..... 002955401-0001

(51) **LOC (10) Cl.** ..... **07-02**

(52) **U.S. Cl.**  
USPC ..... **D7/330**

(58) **Field of Classification Search**  
USPC ..... D7/323, 328-330, 390  
CPC ... A21B 2/00; A47J 37/00; A47J 37/06; A47J  
37/0611; A47J 37/08; A47J 37/0807;  
A47J 37/0814; A47J 37/0835; A47J  
37/0842; A47J 37/085; A47J 37/0864;  
A47J 37/0878; A47J 37/0885; A47J  
37/0892; F24C 15/10; F24C 15/102  
See application file for complete search history.

(56) **References Cited**

**U.S. PATENT DOCUMENTS**

D91,978 S	4/1934	Barnes et al.	
D142,037 S	8/1945	Page	
D345,074 S *	3/1994	Myers	D7/328
D383,352 S	9/1997	Powel	
D409,438 S *	5/1999	Brady	D7/330
D413,224 S	8/1999	Cruz et al.	
D422,832 S *	4/2000	Gaynor	D7/330
D461,088 S	8/2002	Cheah et al.	
D461,089 S	8/2002	Cheah et al.	

D465,690 S	11/2002	Ancona et al.	
D488,341 S *	4/2004	Enriquez	D7/330
D489,564 S *	5/2004	Enriquez	D7/330
D489,565 S	5/2004	Averty	
D502,839 S	3/2005	Cuffaro et al.	
D503,581 S	4/2005	Wong et al.	
D505,585 S	5/2005	MacWilliam	
D509,702 S	9/2005	Picozza et al.	
D510,676 S	10/2005	Picozza et al.	
D520,801 S	5/2006	Cuffaro et al.	
D524,089 S	7/2006	Boyle et al.	
D524,591 S	7/2006	Averty	
D527,568 S	9/2006	Page et al.	
D527,570 S	9/2006	Averty	
D528,348 S	9/2006	Averty	
D567,570 S	4/2008	O'Loughlin	

(Continued)

*Primary Examiner* — Ricky Pham

(74) *Attorney, Agent, or Firm* — Loeb & Loeb LLP

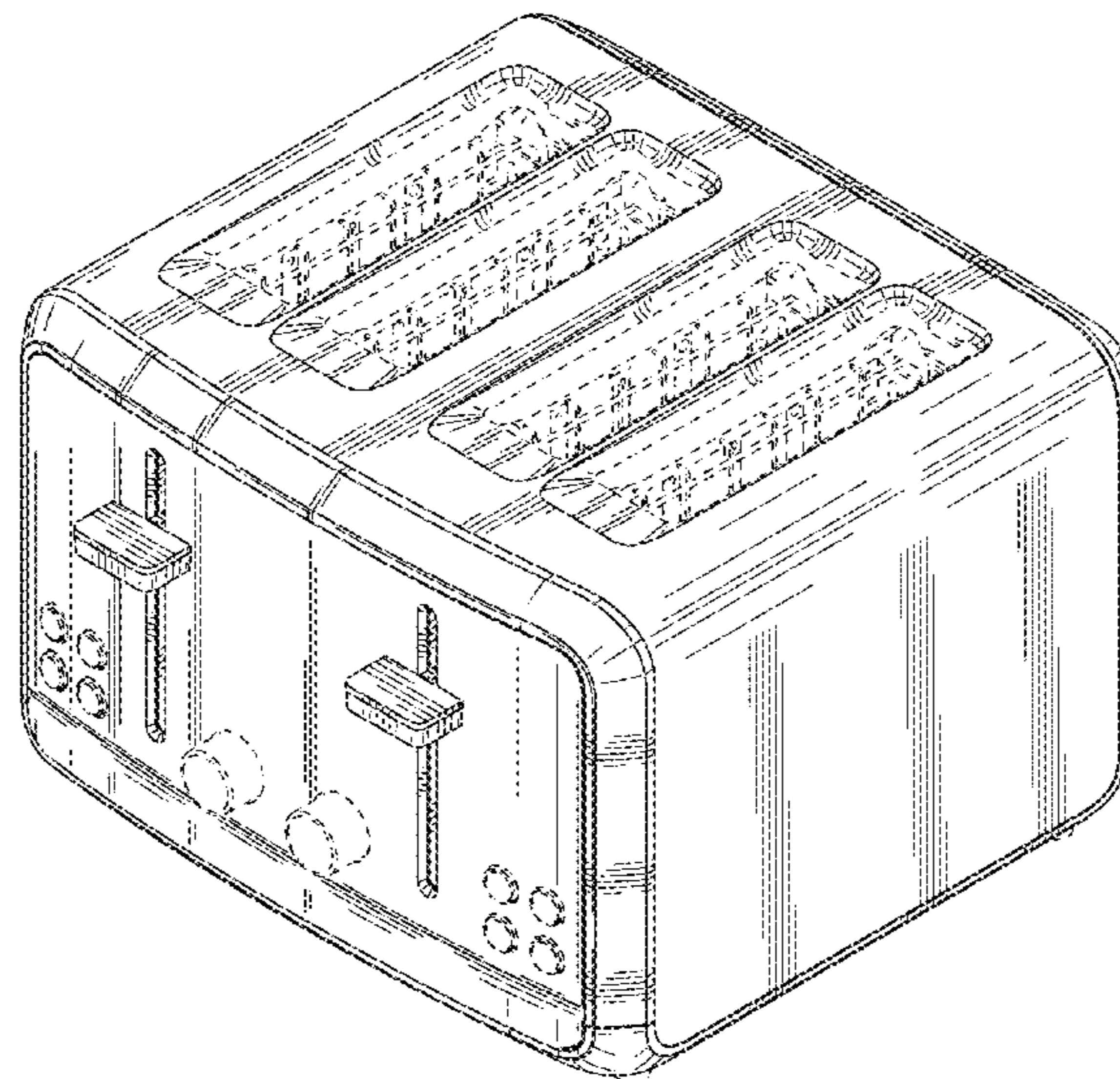
(57) **CLAIM**

The ornamental design for an electric toaster, as shown and described.

**DESCRIPTION**

FIG. 1 is a perspective view of an electric toaster showing my new design;  
FIG. 2 is a front elevational view of the electric toaster of FIG. 1;  
FIG. 3 is a rear elevational view of the electric toaster of FIG. 1;  
FIG. 4 is a right side elevational view of the electric toaster of FIG. 1;  
FIG. 5 is a left side elevational view of the electric toaster of FIG. 1;  
FIG. 6 is a top view of the electric toaster of FIG. 1; and,  
FIG. 7 is a bottom view of the electric toaster of FIG. 1.  
The broken lines shown in the drawings are for the purpose of illustration and form no part of the claimed design.

**1 Claim, 7 Drawing Sheets**



(56)

**References Cited**

U.S. PATENT DOCUMENTS

D598,697	S	*	8/2009	De Pra'	.....	D7/330
D613,546	S		4/2010	Picozza et al.		
D622,092	S		8/2010	Picozza et al.		
D644,473	S		9/2011	Pantaleo et al.		
D648,593	S	*	11/2011	Curtis	.....	D7/330
D661,940	S		6/2012	Averty		
D661,941	S		6/2012	Averty		
D662,346	S	*	6/2012	Choi	.....	D7/330
D667,677	S	*	9/2012	Choi	.....	D7/330
D688,509	S		8/2013	Carlson		
D701,720	S		4/2014	Palermo et al.		
D724,885	S		3/2015	Kunz		
D749,348	S	*	2/2016	Carlson	.....	D7/330
D765,456	S	*	9/2016	Lee	.....	D7/330
D777,501	S	*	1/2017	Lee	.....	D7/330
2004/0211324	A1		10/2004	Wanat		

\* cited by examiner

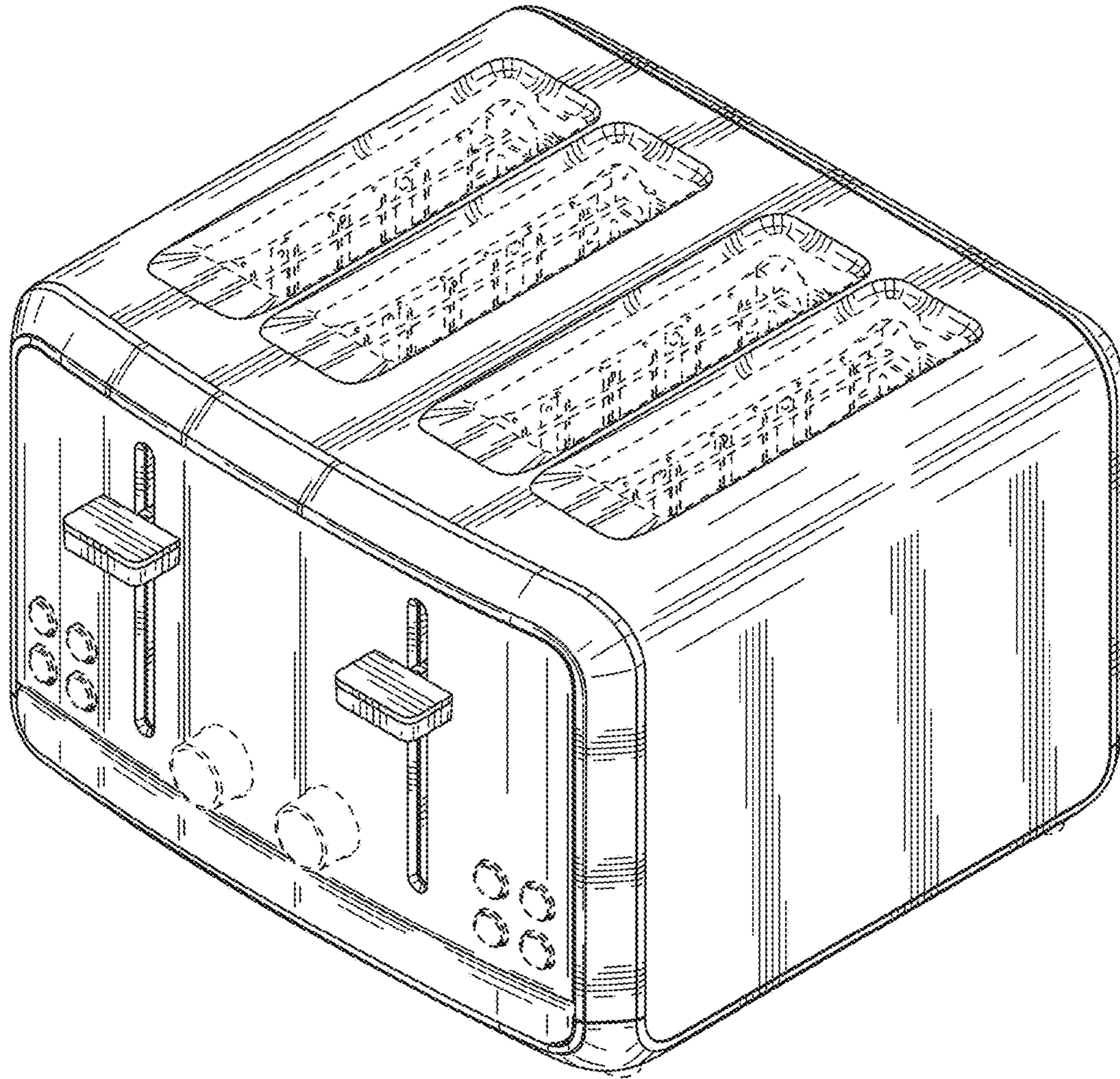


FIG. 1

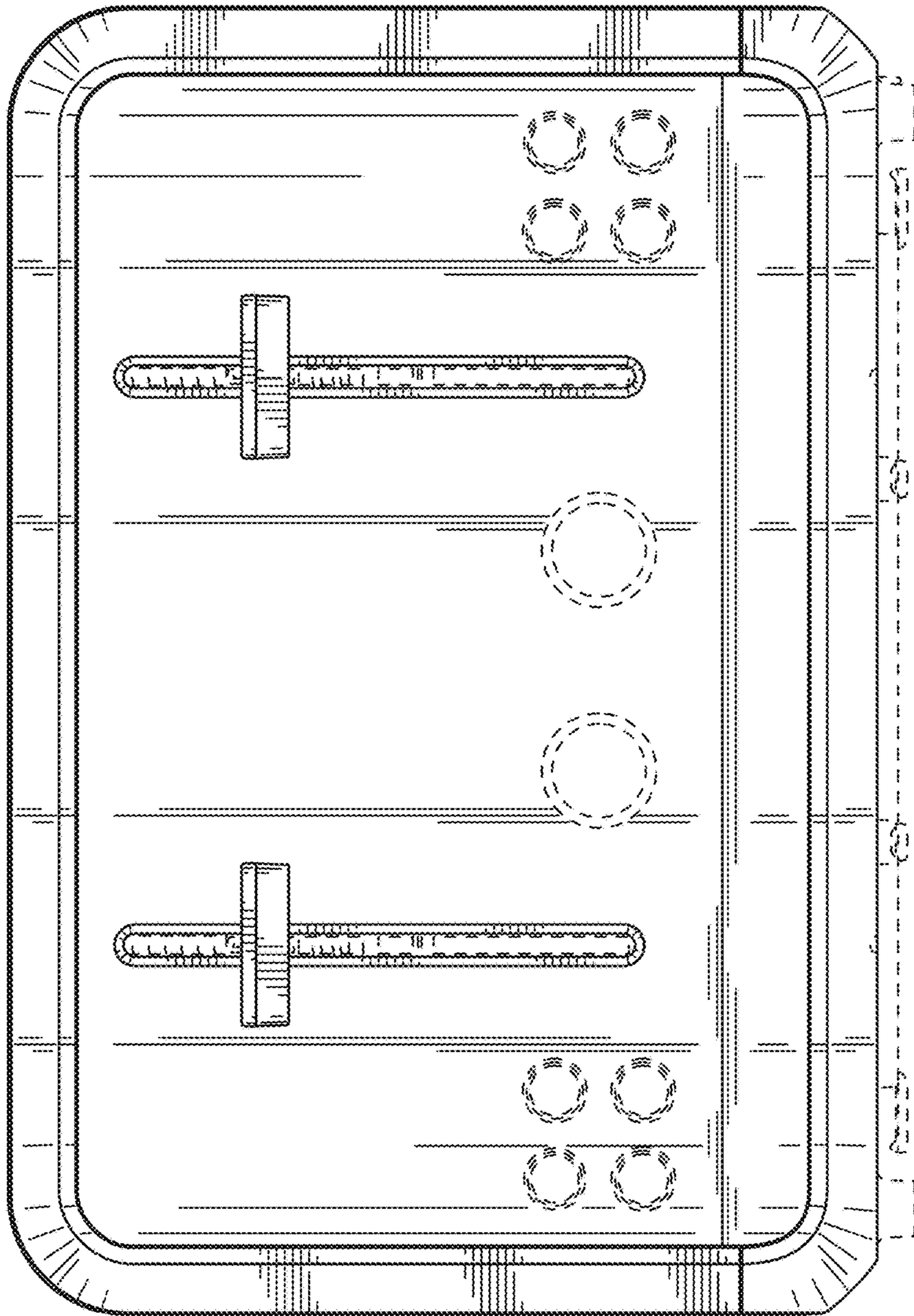


FIG. 2

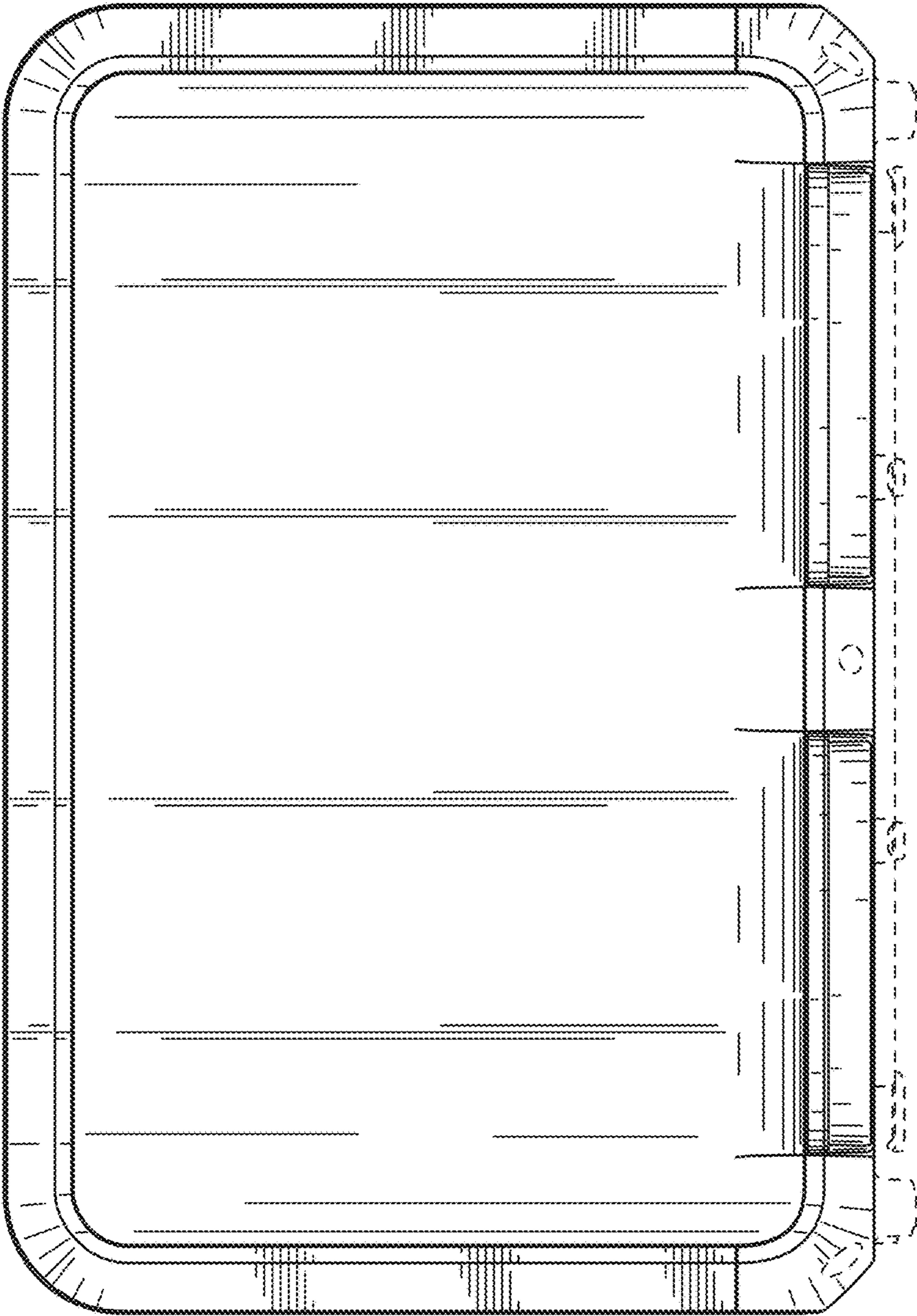


FIG. 3

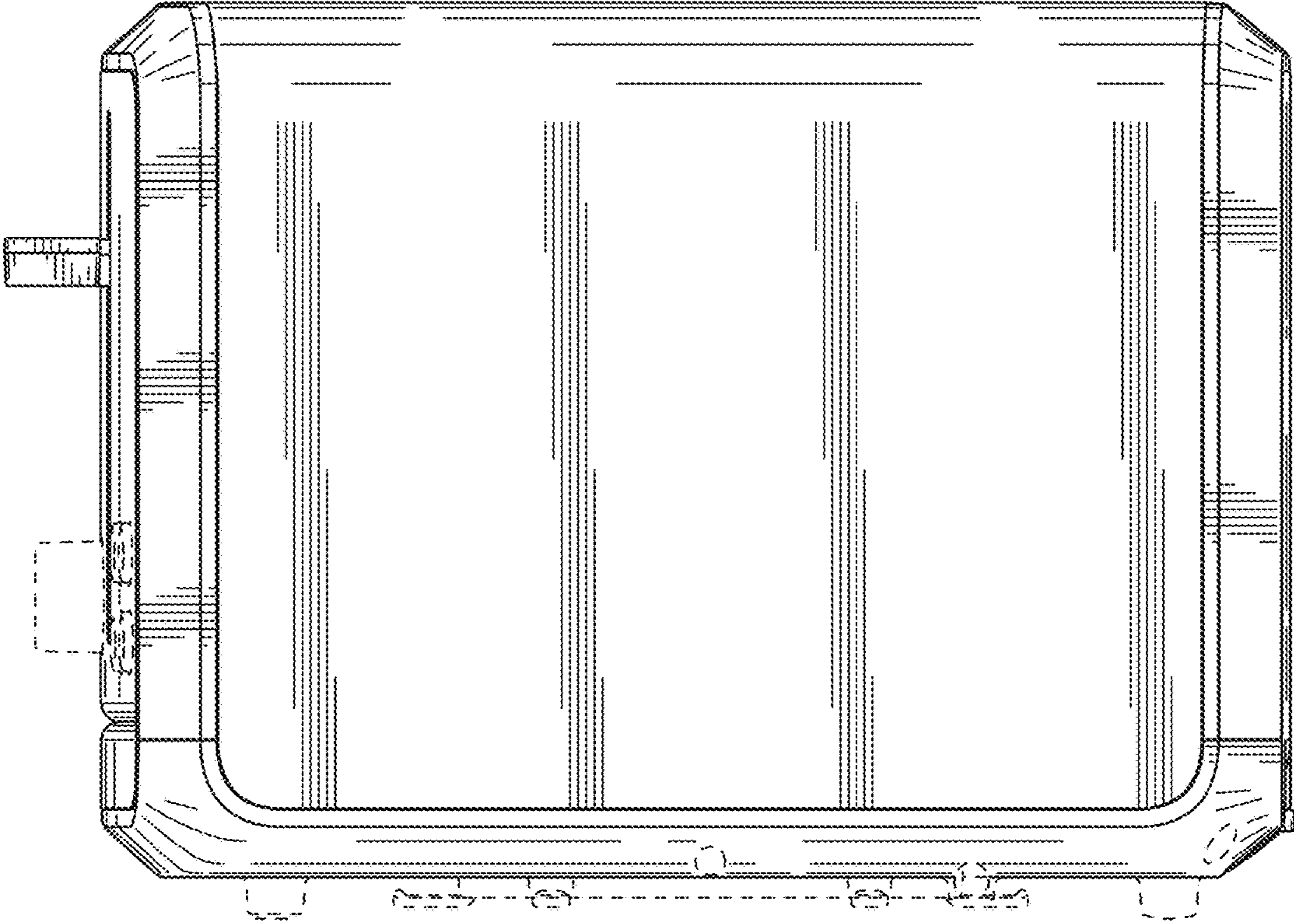


FIG. 4

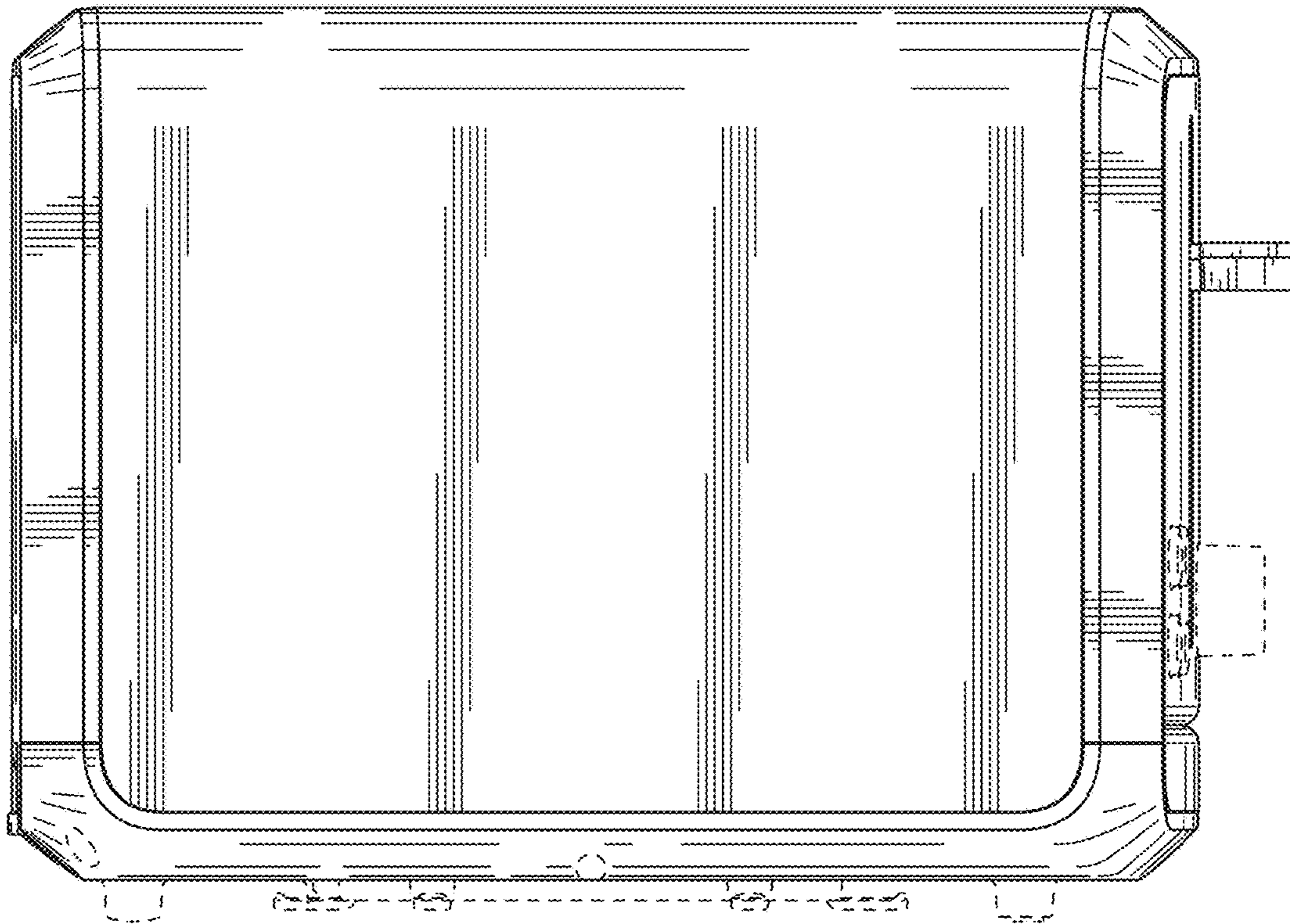


FIG. 5

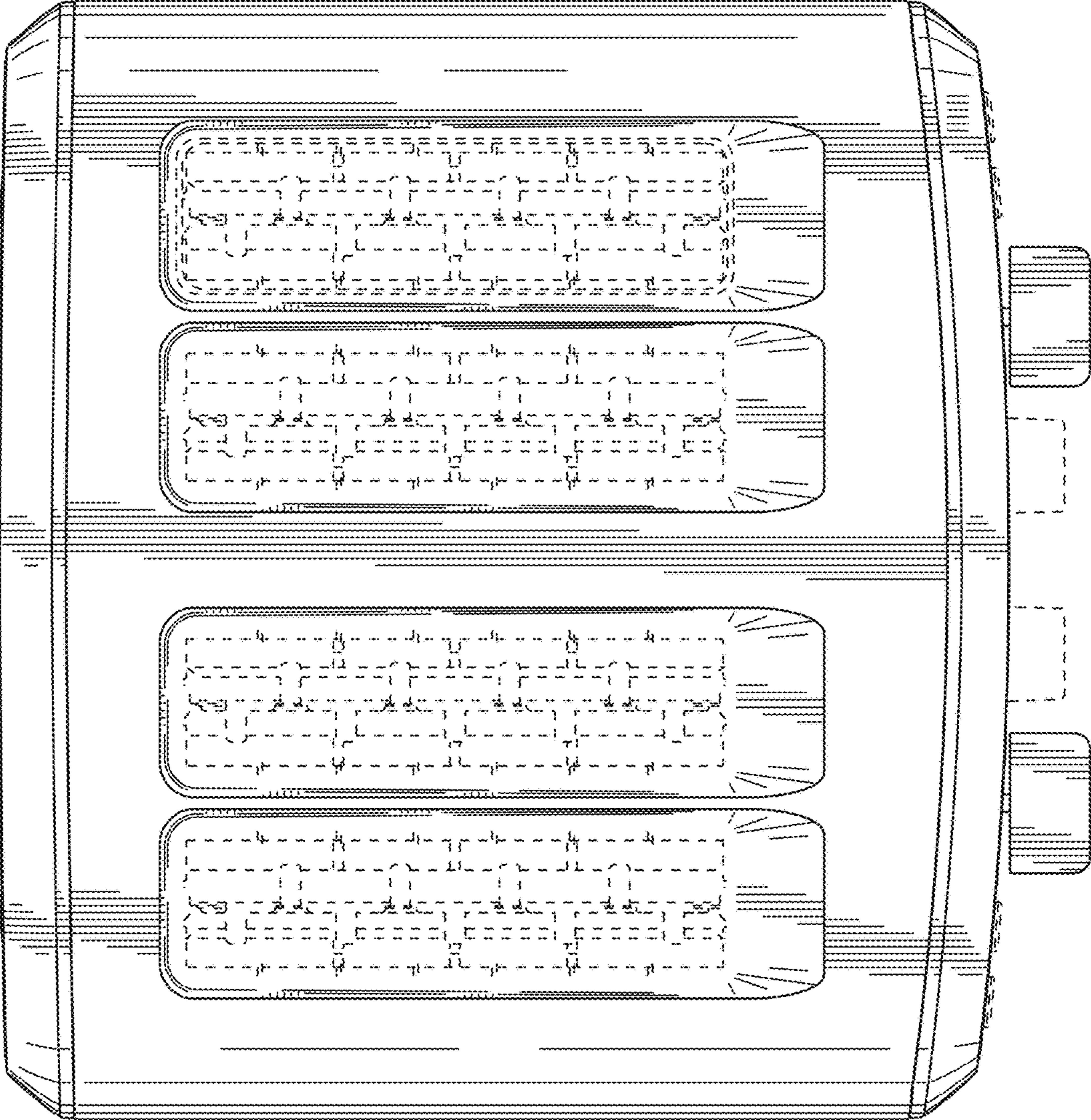


FIG. 6



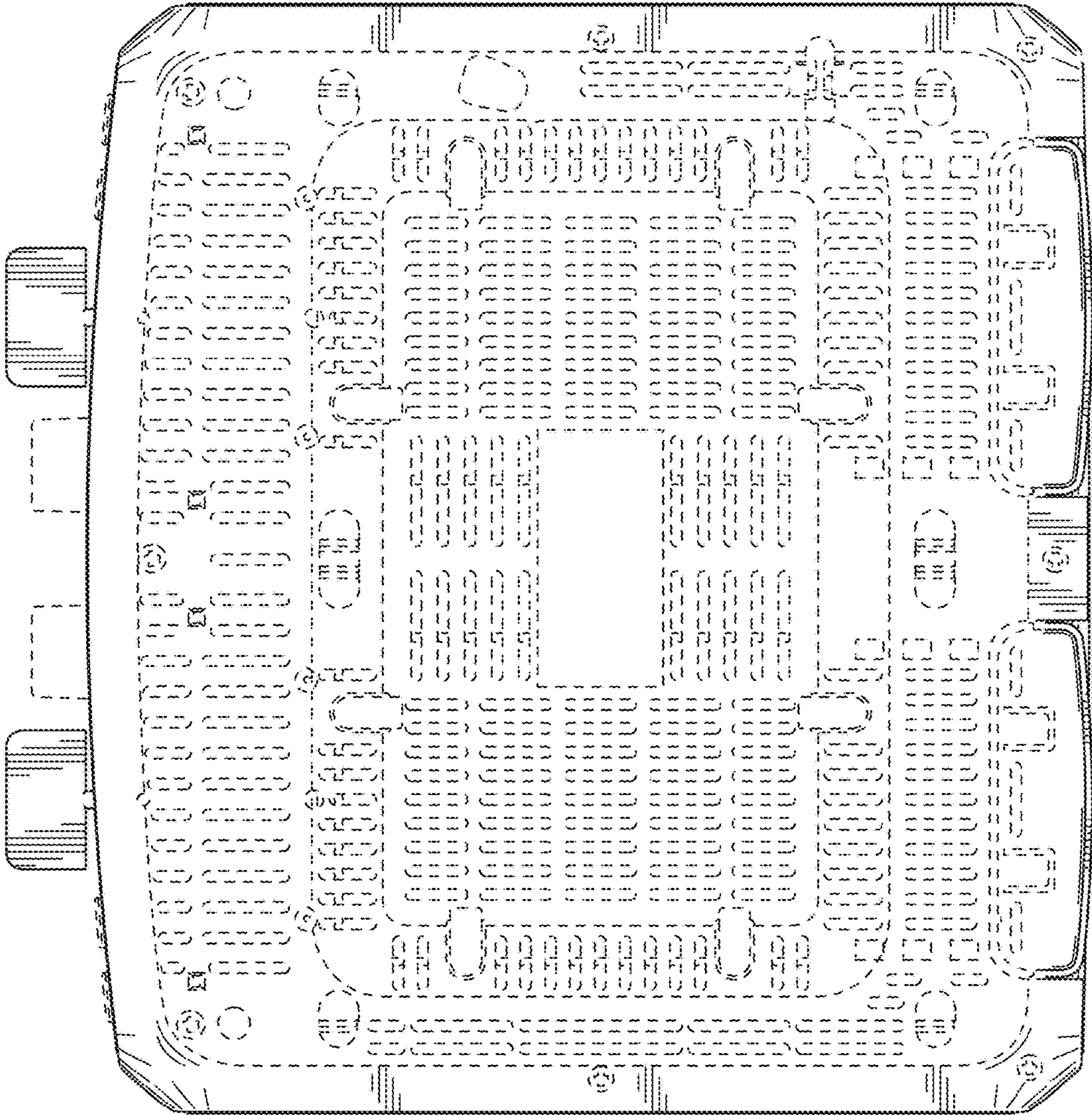


FIG. 7