

US00D792145S

(12) **United States Design Patent**
Huat

(10) **Patent No.:** **US D792,145 S**

(45) **Date of Patent:** **** Jul. 18, 2017**

(54) **WATER DISPENSER**

(71) Applicant: **NEP HOLDINGS (MALAYSIA)**
BHD, Seri Kembangan, Selangor (MY)

(72) Inventor: **Lim Chang Huat**, Selangor (MY)

(73) Assignee: **NEP HOLDINGS (MALAYSIA)**
BHD, Selangor (MY)

(**) Term: **15 Years**

(21) Appl. No.: **29/566,662**

(22) Filed: **Jun. 1, 2016**

(51) **LOC (10) Cl.** **07-01**

(52) **U.S. Cl.**
USPC **D7/306**

(58) **Field of Classification Search**
USPC D7/300, 304-311, 312, 313; 222/325,
222/185.1
CPC A47J 31/00; B67D 1/00; B67D 1/0003;
B67D 1/0004; B67D 1/0005; F25D
23/126; Y10T 137/00; Y10T 137/0318;
Y10T 137/0379

See application file for complete search history.

(56) **References Cited**

U.S. PATENT DOCUMENTS

D209,126 S * 10/1967 Martin D7/309
D604,087 S * 11/2009 Lavy D7/309
D738,149 S * 9/2015 Ye D7/306
D738,663 S * 9/2015 De'Longhi D7/306

D747,144 S * 1/2016 Sun D7/509
D760,009 S * 6/2016 Moammer D7/309
2013/0004629 A1 * 1/2013 Clark A47J 31/4467
426/231
2017/0050836 A1 * 2/2017 Yoon B67D 1/10

OTHER PUBLICATIONS

Pitcher | Diamond, posted at Designboom.com, posting date not given, © 2017 designboom.com, [online], [site visited 03/1503/2017]. Available from Internet, <URL: Pitcher http://www.designboom.com/design/michael-young-diamond-water-range-02-15-2015/*

* cited by examiner

Primary Examiner — Daniel Bui

Assistant Examiner — Andrew Kerr

(74) *Attorney, Agent, or Firm* — Workman Nydegger

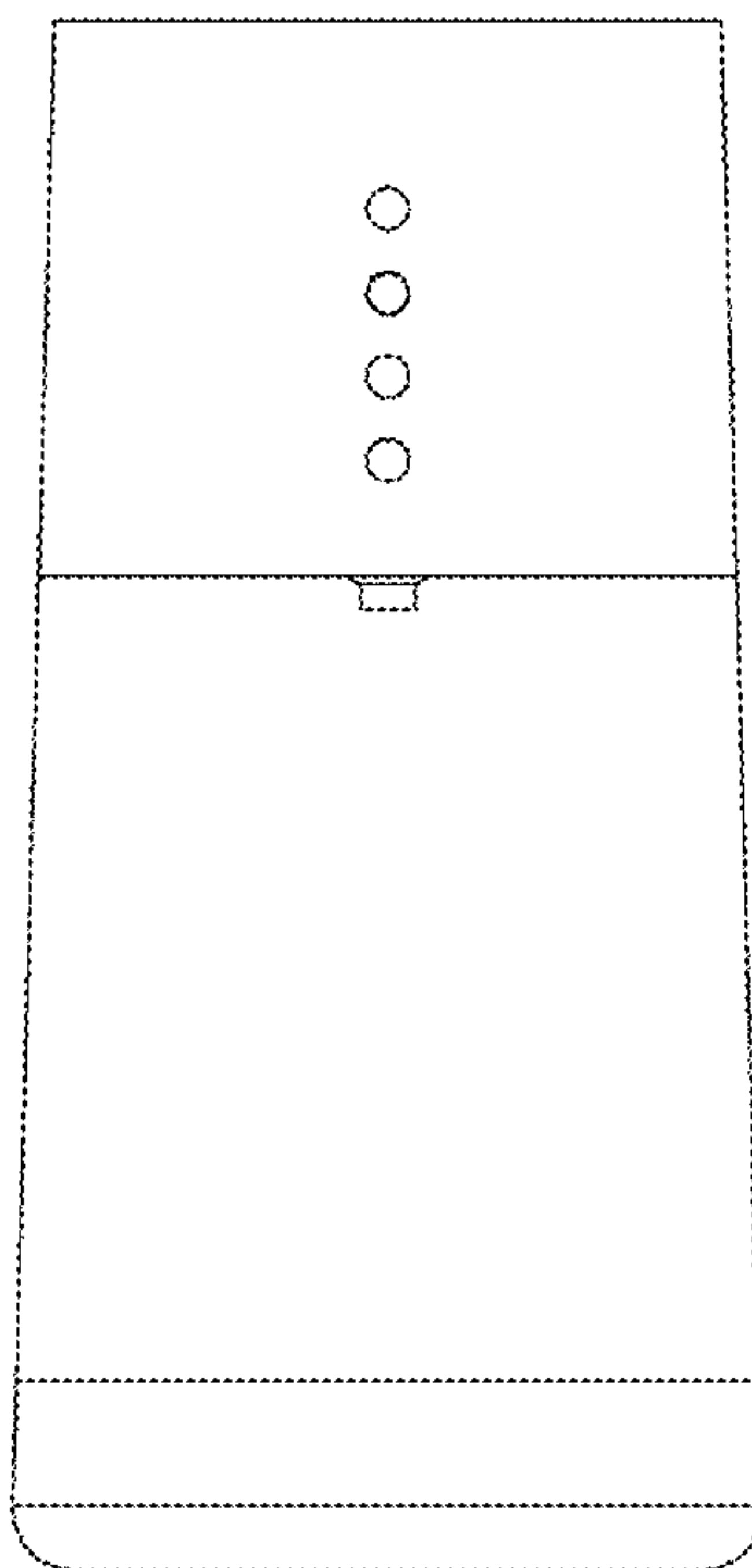
(57) **CLAIM**

The ornamental design for a water dispenser, as shown and described.

DESCRIPTION

FIG. 1 is a front side elevation view of a water dispenser showing my new design;
FIG. 2 is a right side elevation view thereof;
FIG. 3 is a rear elevation view thereof;
FIG. 4 is a top plan view thereof;
FIG. 5 is a bottom plan view thereof; and,
FIG. 6 is a front, top and right side perspective view thereof.

1 Claim, 6 Drawing Sheets



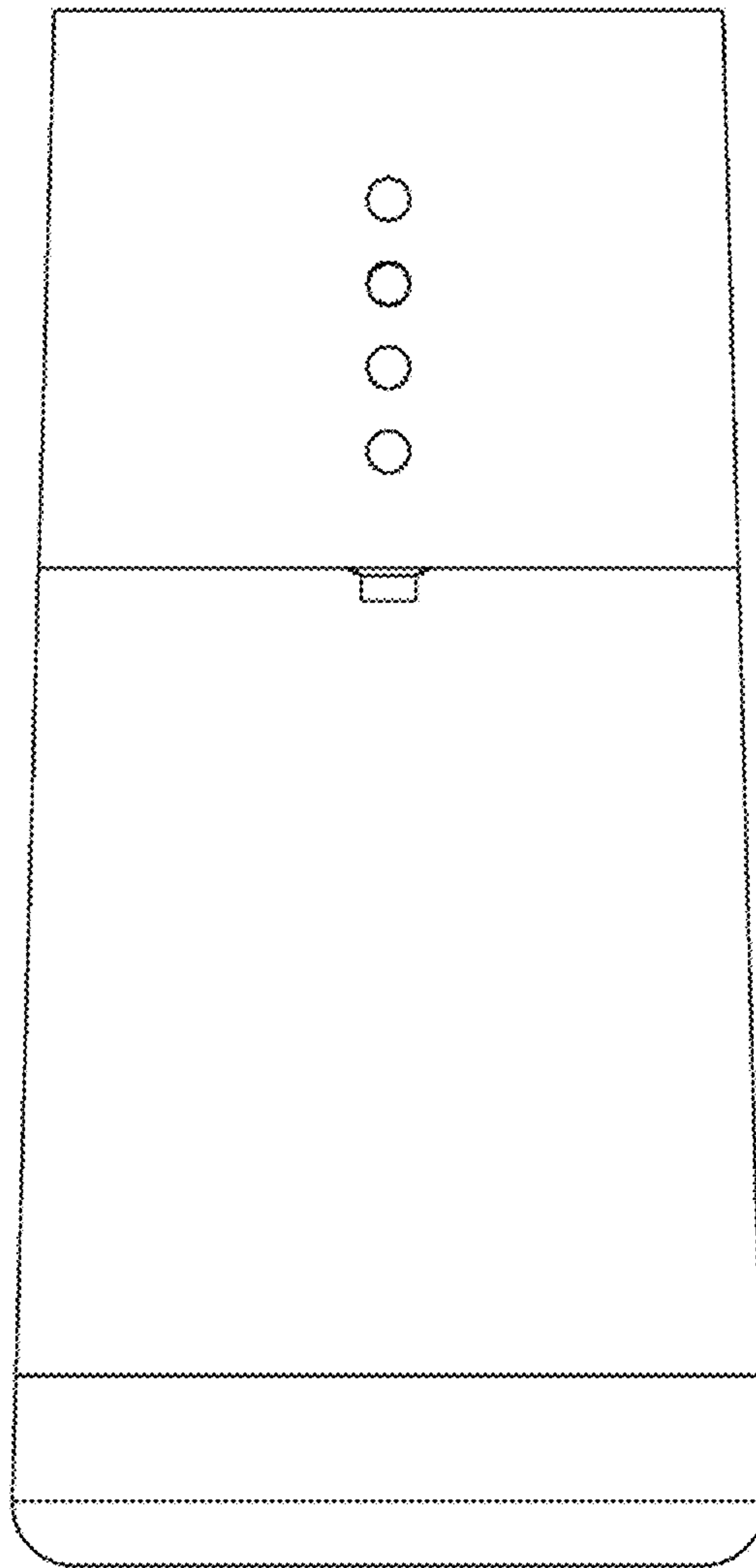


Fig. 1

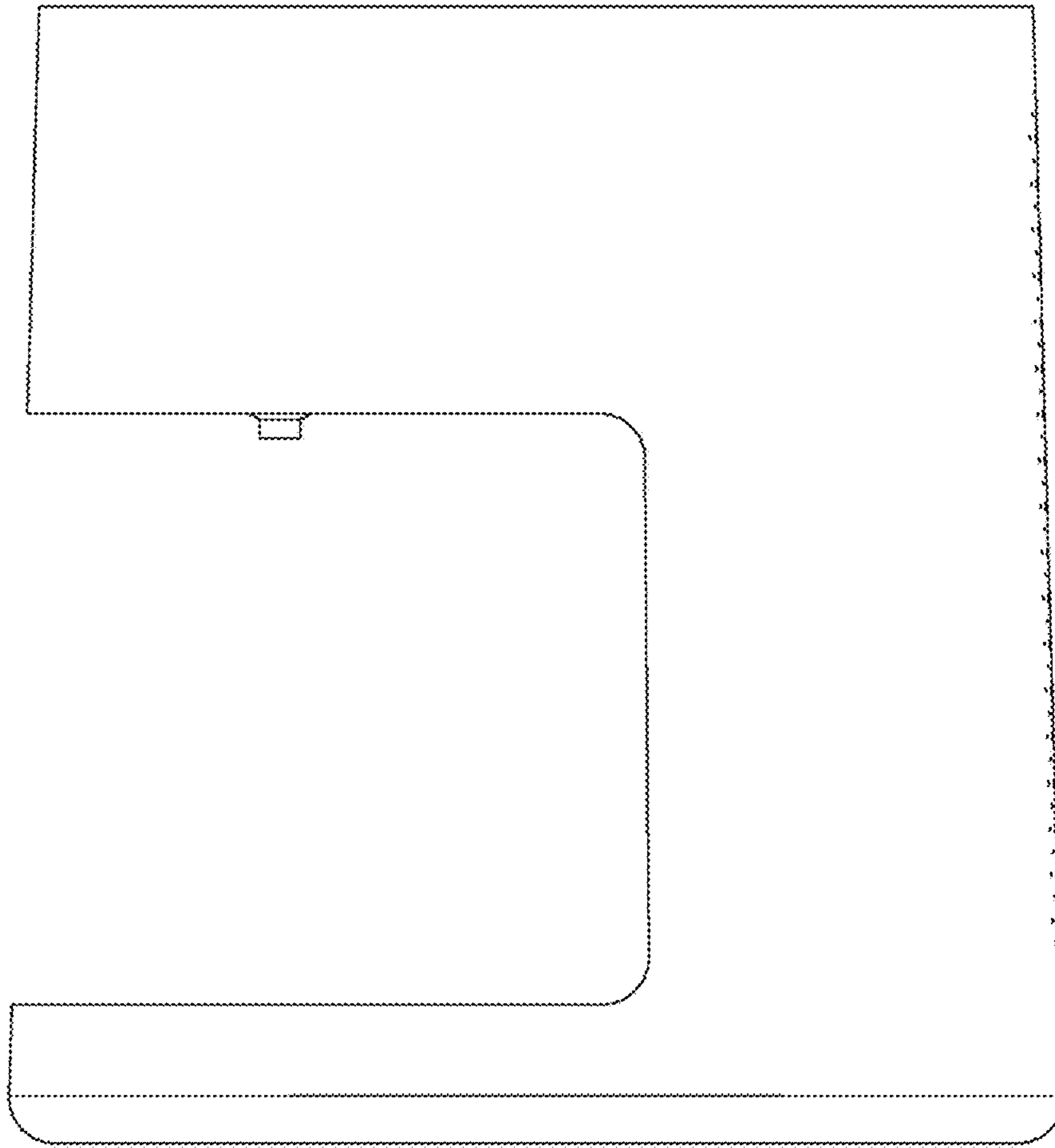


Fig. 2

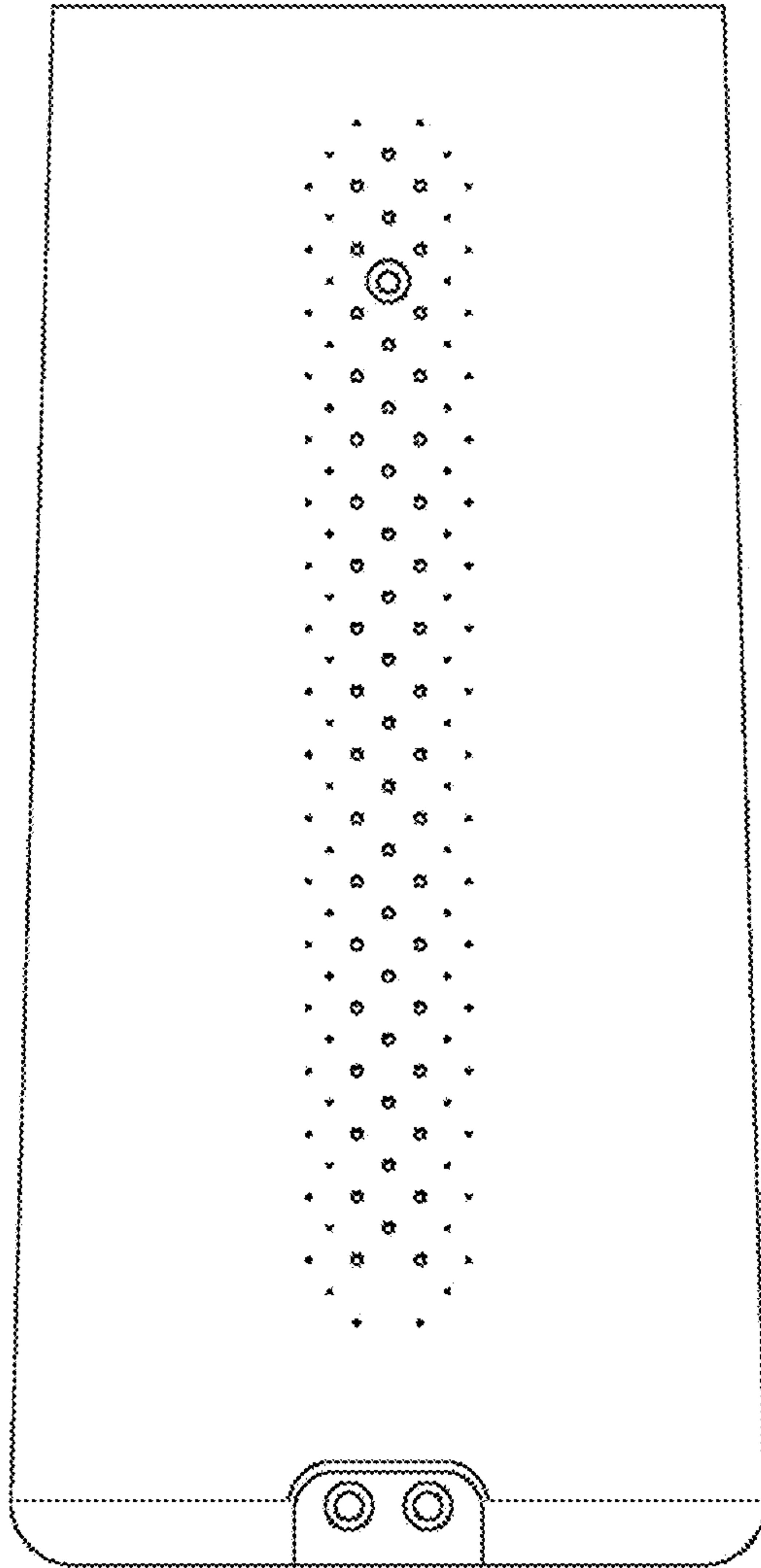


Fig. 3

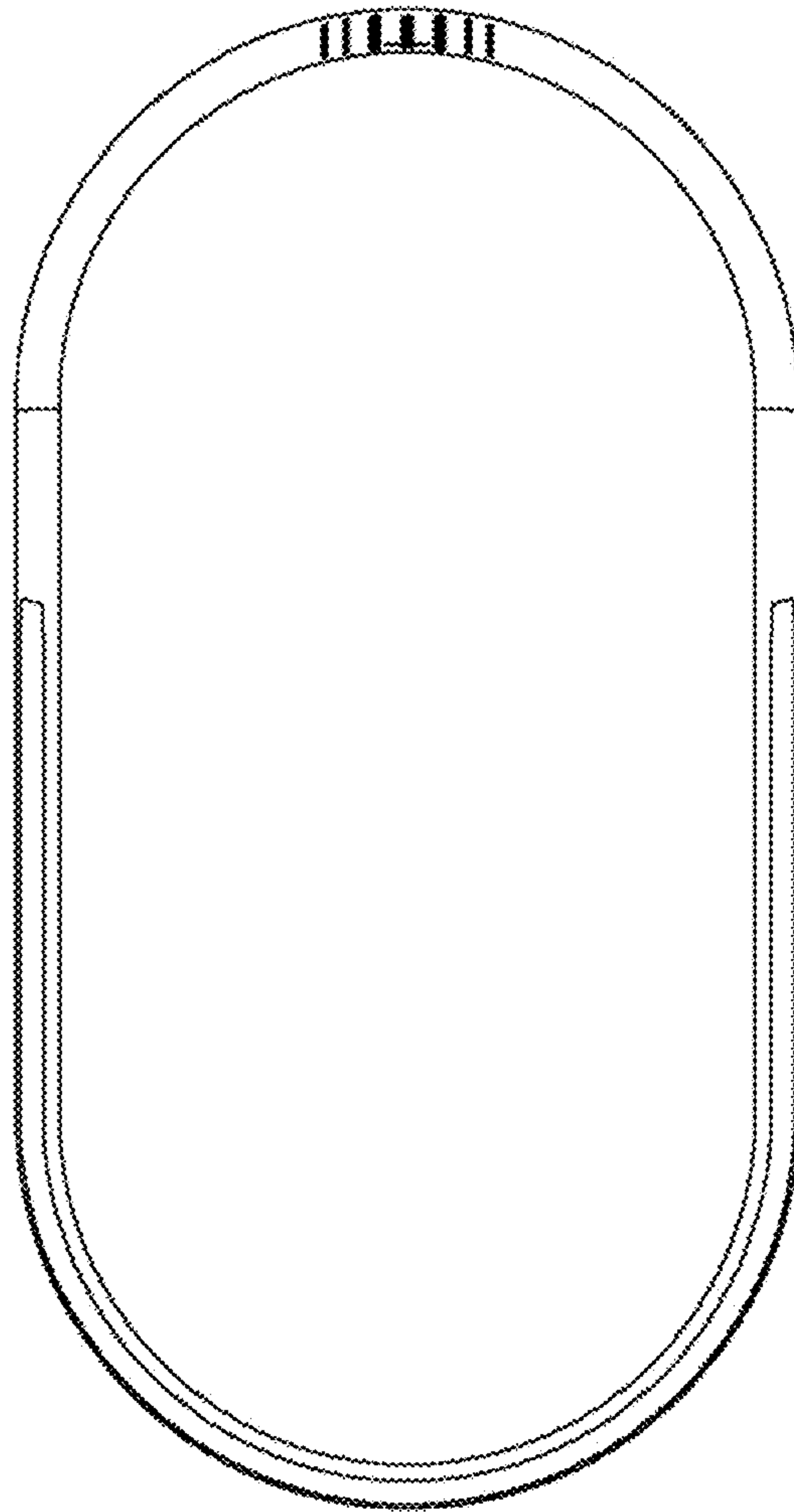


Fig. 4

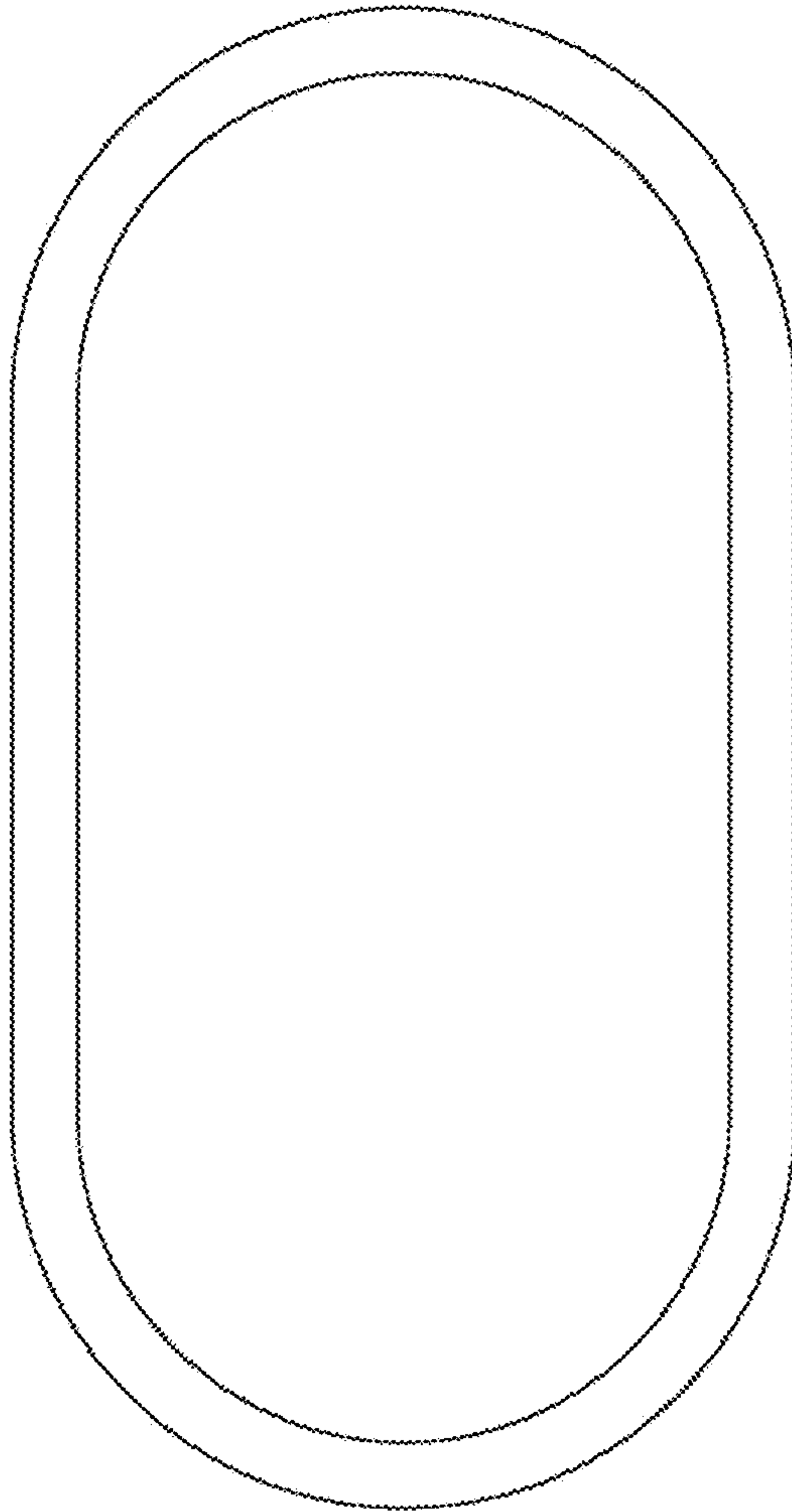


Fig. 5

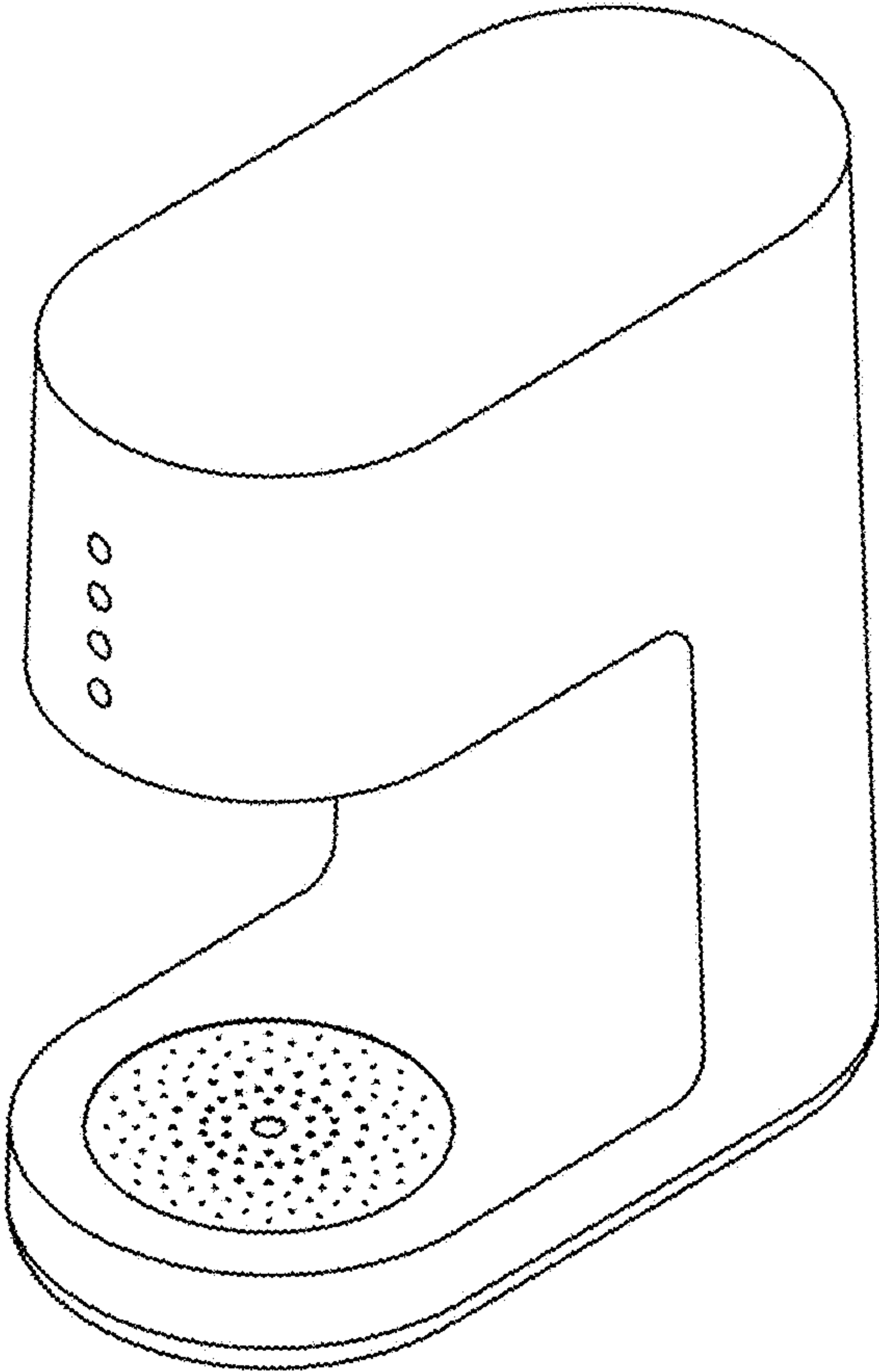


Fig. 6