



US00D792141S

(12) **United States Design Patent**  
**Su**

(10) **Patent No.:** **US D792,141 S**  
(45) **Date of Patent:** **\*\* Jul. 18, 2017**

(54) **SEAT PLATE**

(71) Applicant: **Shu O Su**, Tainan (TW)

(72) Inventor: **Shu O Su**, Tainan (TW)

(\*\*) Term: **15 Years**

(21) Appl. No.: **29/559,927**

(22) Filed: **Apr. 1, 2016**

(51) **LOC (10) Cl.** ..... **06-01**

(52) **U.S. Cl.**  
USPC ..... **D6/716.1; D6/373**

(58) **Field of Classification Search**  
USPC ..... D6/334-336, 371, 372, 373, 374, 375,  
D6/380, 716, 716.1, 716.4

CPC .... A47C 3/04; A47C 4/02; A47C 4/03; A47C  
5/04; A47C 7/16; A47C 7/022

See application file for complete search history.

(56) **References Cited**

**U.S. PATENT DOCUMENTS**

D246,813 S *	1/1978	Tolleson	.....	D6/373
D367,185 S *	2/1996	Olson	.....	D6/373
D378,553 S *	3/1997	Newhouse	.....	D6/373
D423,805 S *	5/2000	Olson	.....	D6/374
D434,253 S *	11/2000	Turner	.....	D6/716.1
D455,570 S *	4/2002	Kita	.....	D6/373
6,957,860 B1 *	10/2005	Leist	.....	A47C 3/04 297/239

D516,830 S *	3/2006	Leist	.....	D6/380
D600,465 S *	9/2009	Kumazawa	.....	D6/373
D648,150 S *	11/2011	Kumazawa	.....	D6/373
D725,397 S *	3/2015	Pan	.....	D6/373
D778,631 S *	2/2017	Tanaka	.....	D6/373

\* cited by examiner

*Primary Examiner* — Mimoso De

(74) *Attorney, Agent, or Firm* — Raymond Y. Chan;  
David and Raymond Patent Firm

(57) **CLAIM**

The ornamental design for a seat plate, as shown and described.

**DESCRIPTION**

FIG. 1 is a perspective view of seat plate showing my new design.

FIG. 2 is a front view thereof.

FIG. 3 is a rear view thereof.

FIG. 4 is a left end view thereof.

FIG. 5 is a right end view thereof.

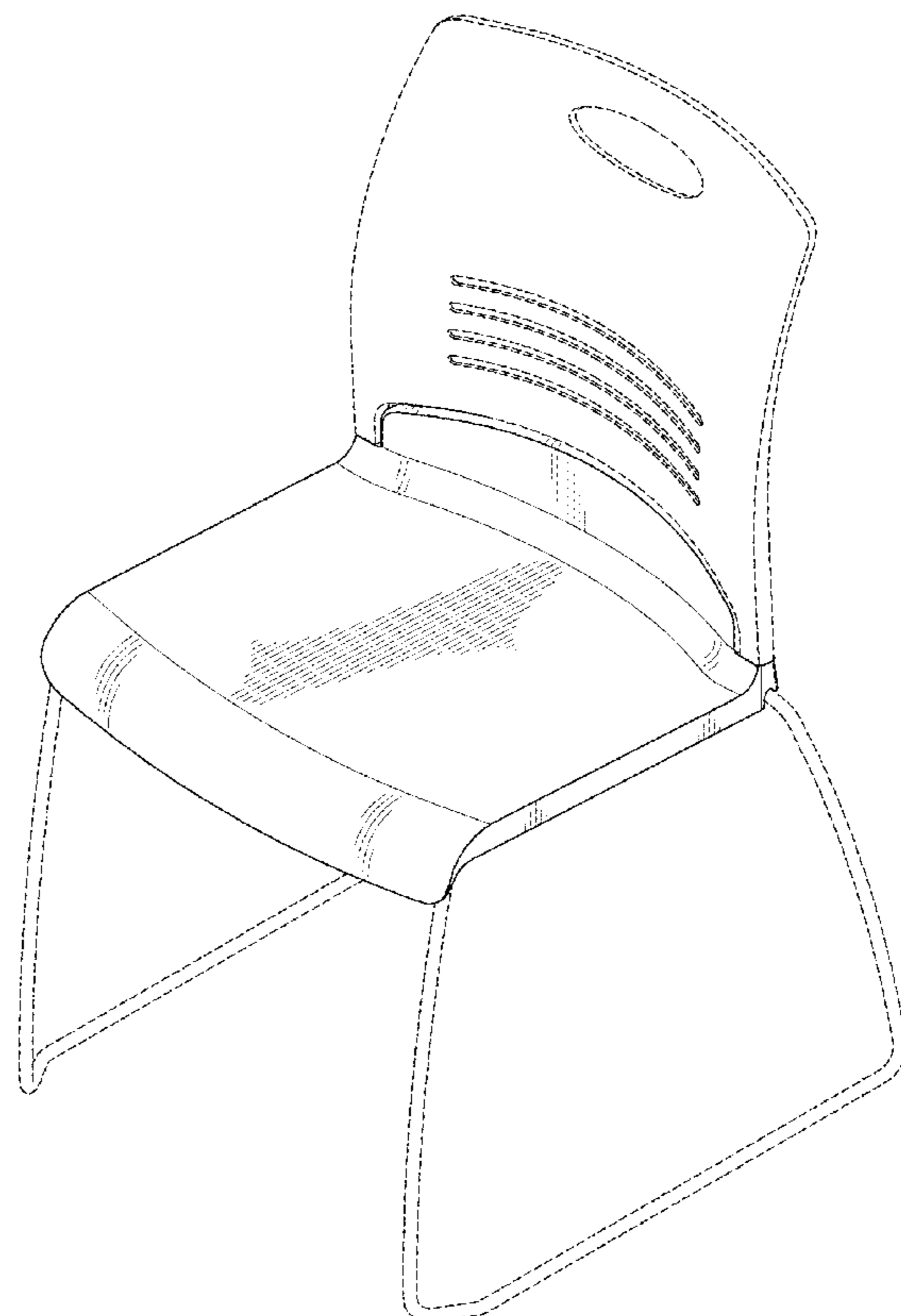
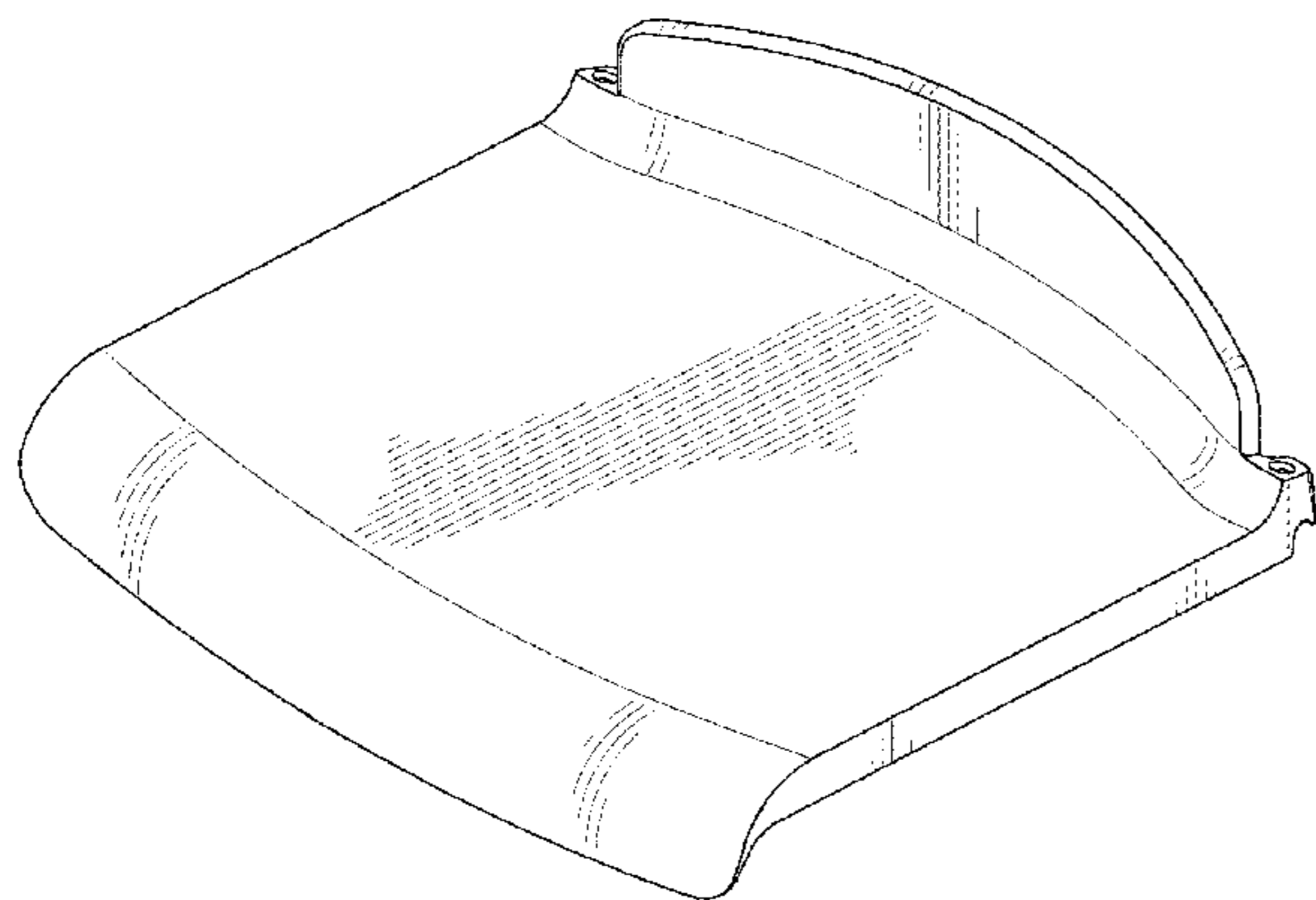
FIG. 6 is a top view thereof.

FIG. 7 is a bottom view thereof.

FIG. 8 is a perspective view of the seat plate showing my new design connected to a support unit and a back rest, wherein the broken lines in the drawing is for illustrative purpose only and shows the portion that forms no part of the design to be claimed; and,

FIG. 9 is a rear perspective view thereof.

**1 Claim, 6 Drawing Sheets**



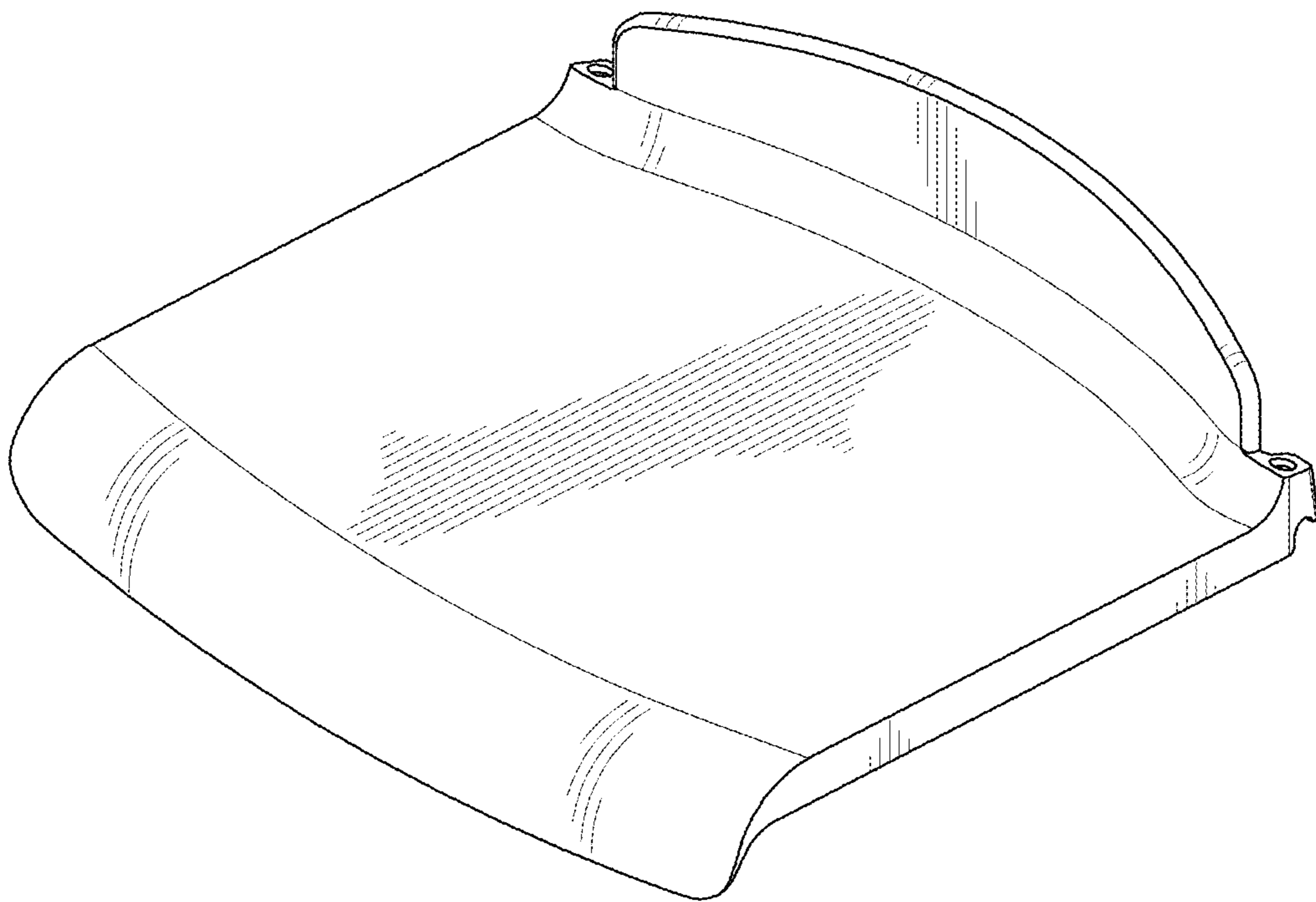


FIG. 1

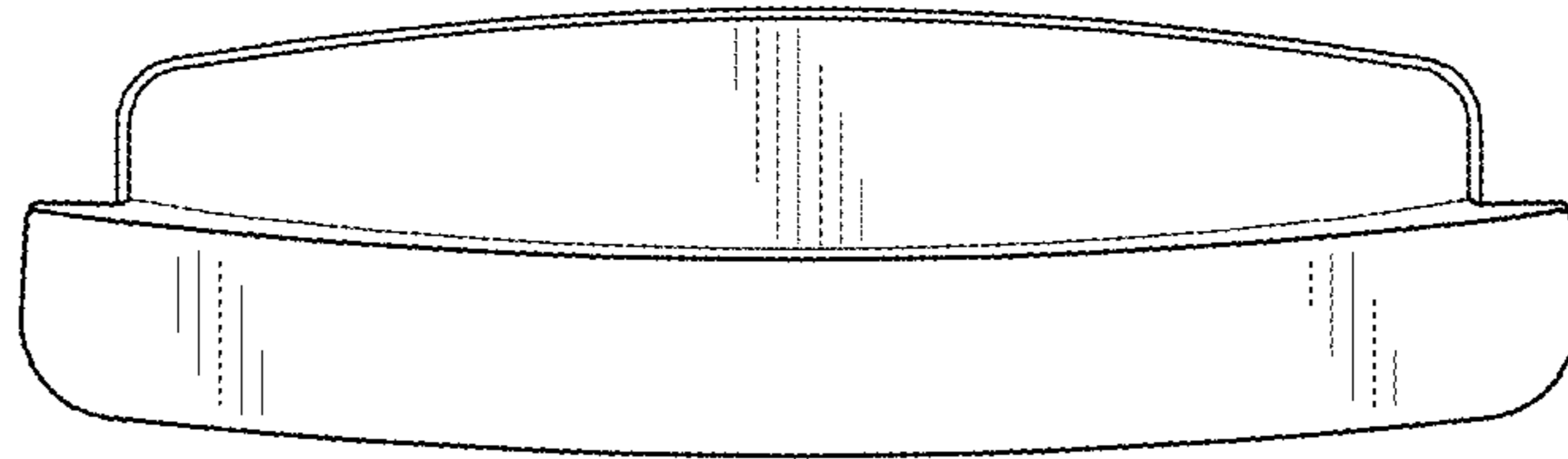


FIG. 2

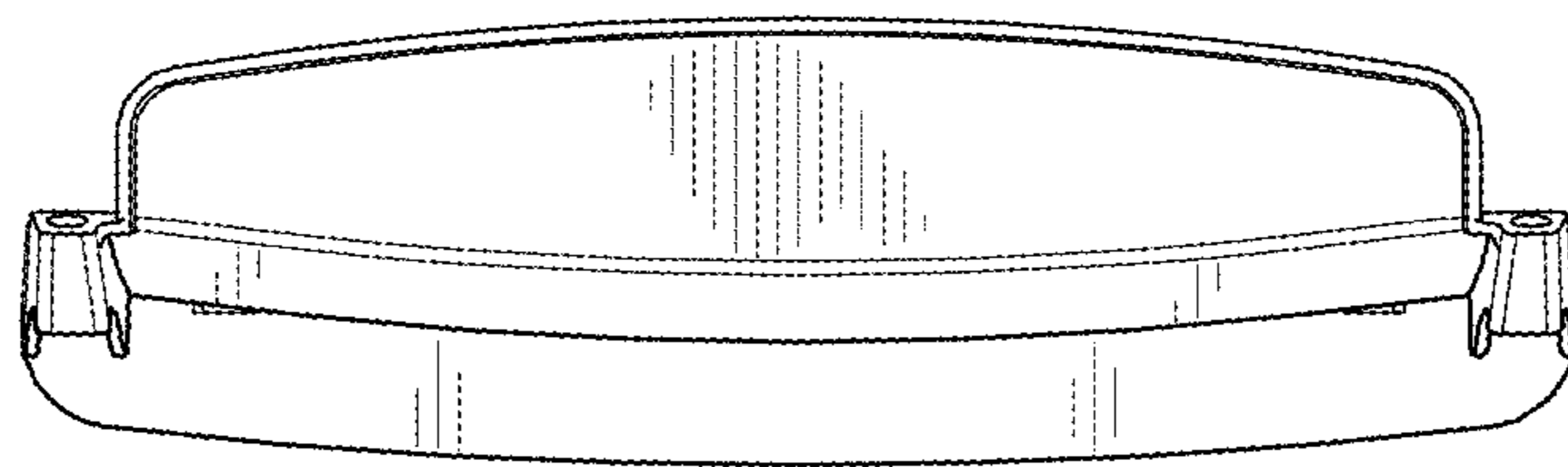


FIG. 3

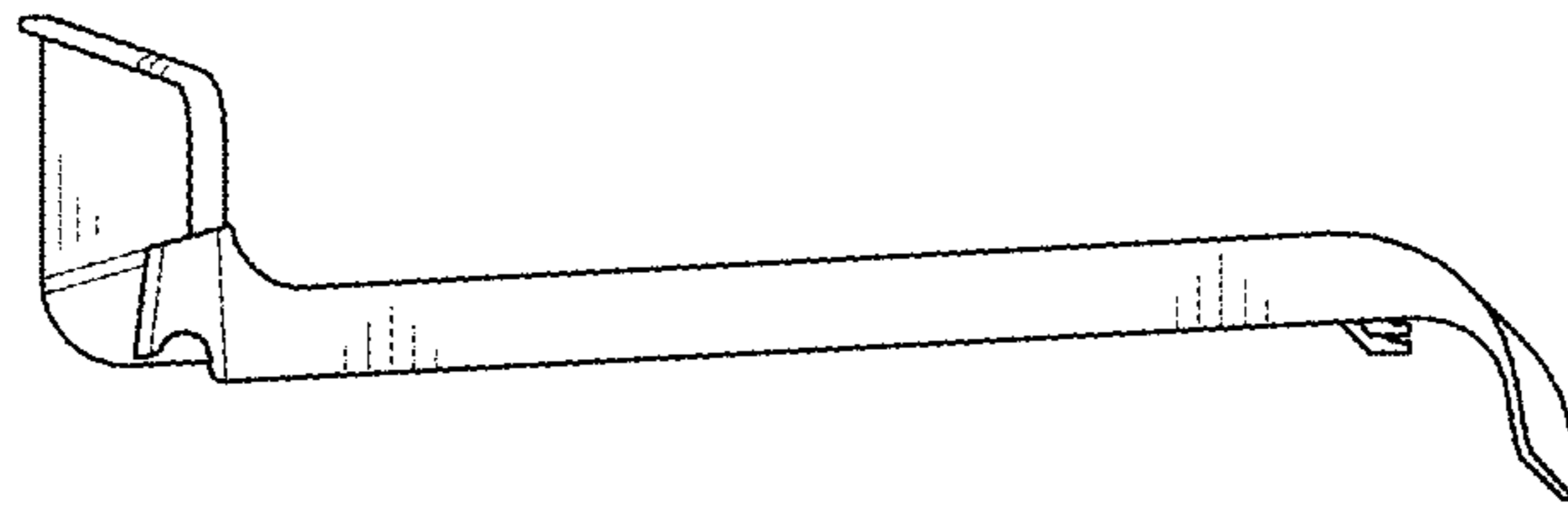


FIG. 4

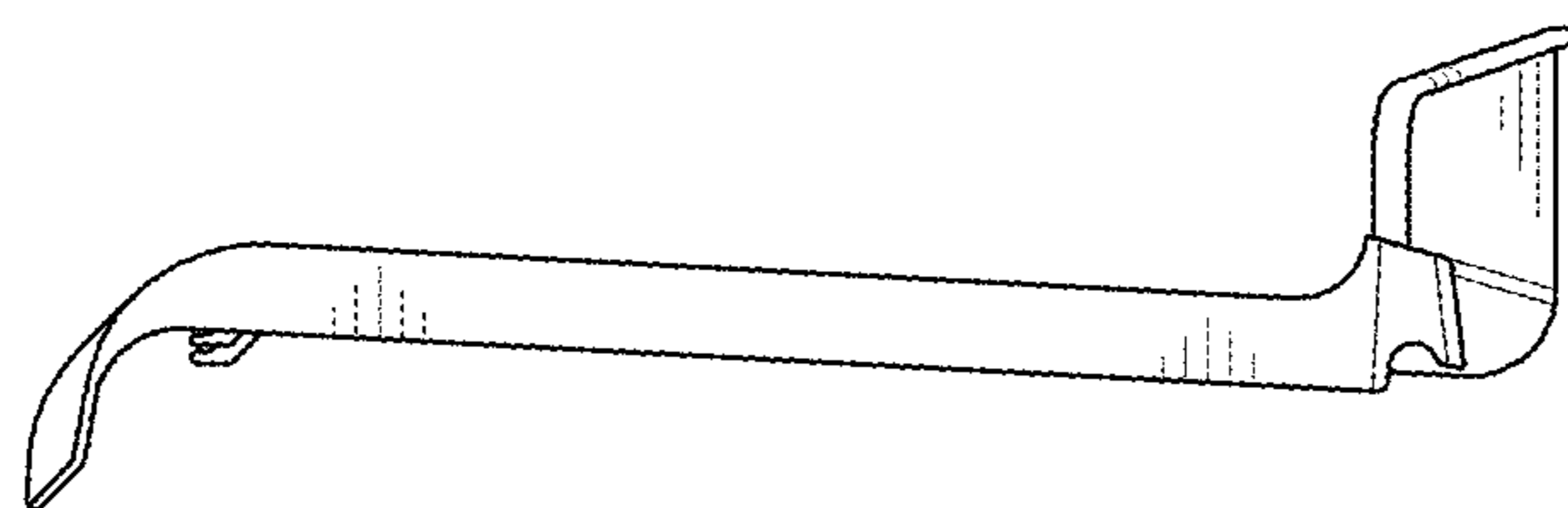


FIG. 5

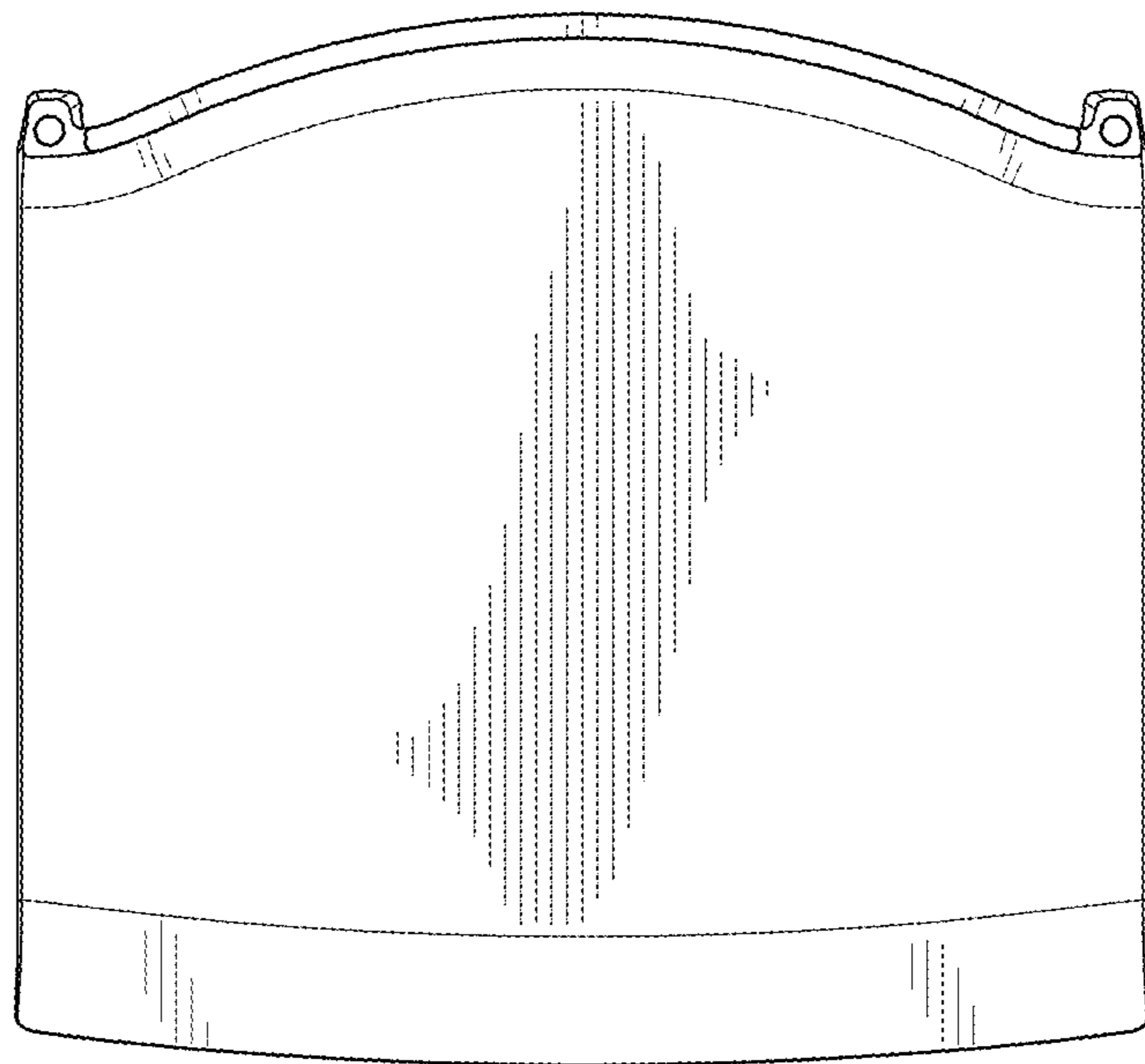


FIG. 6

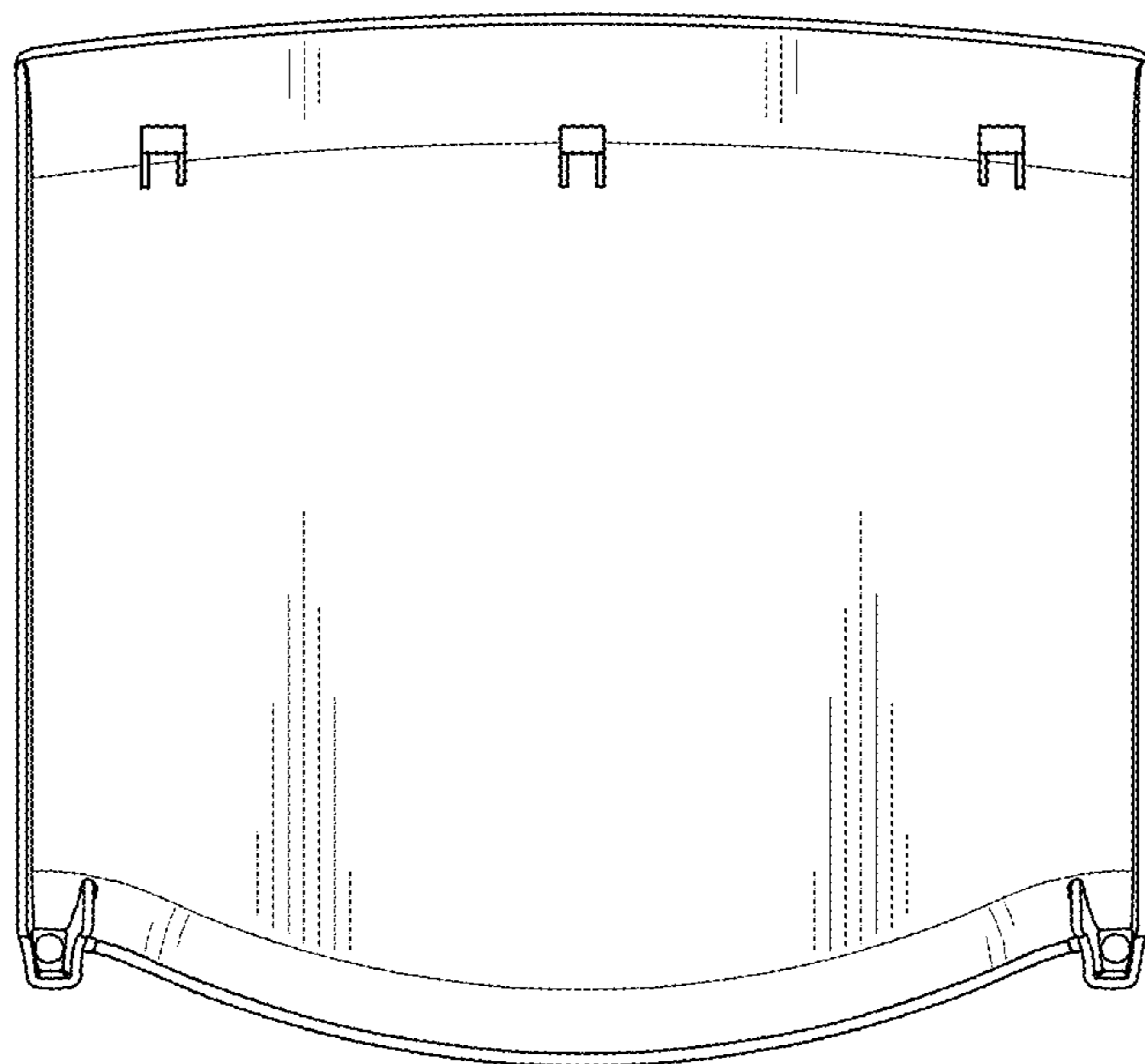


FIG. 7

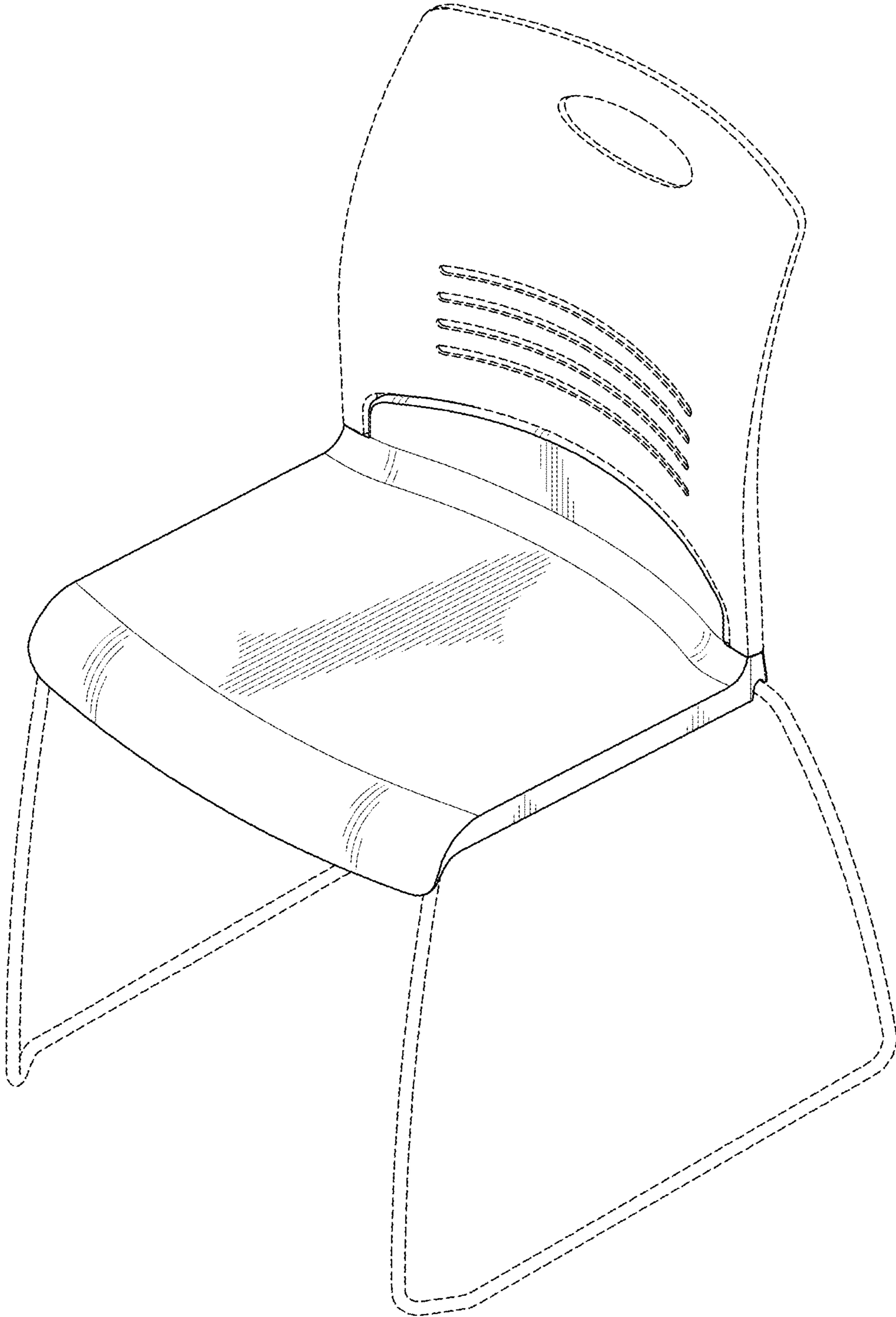


FIG. 8

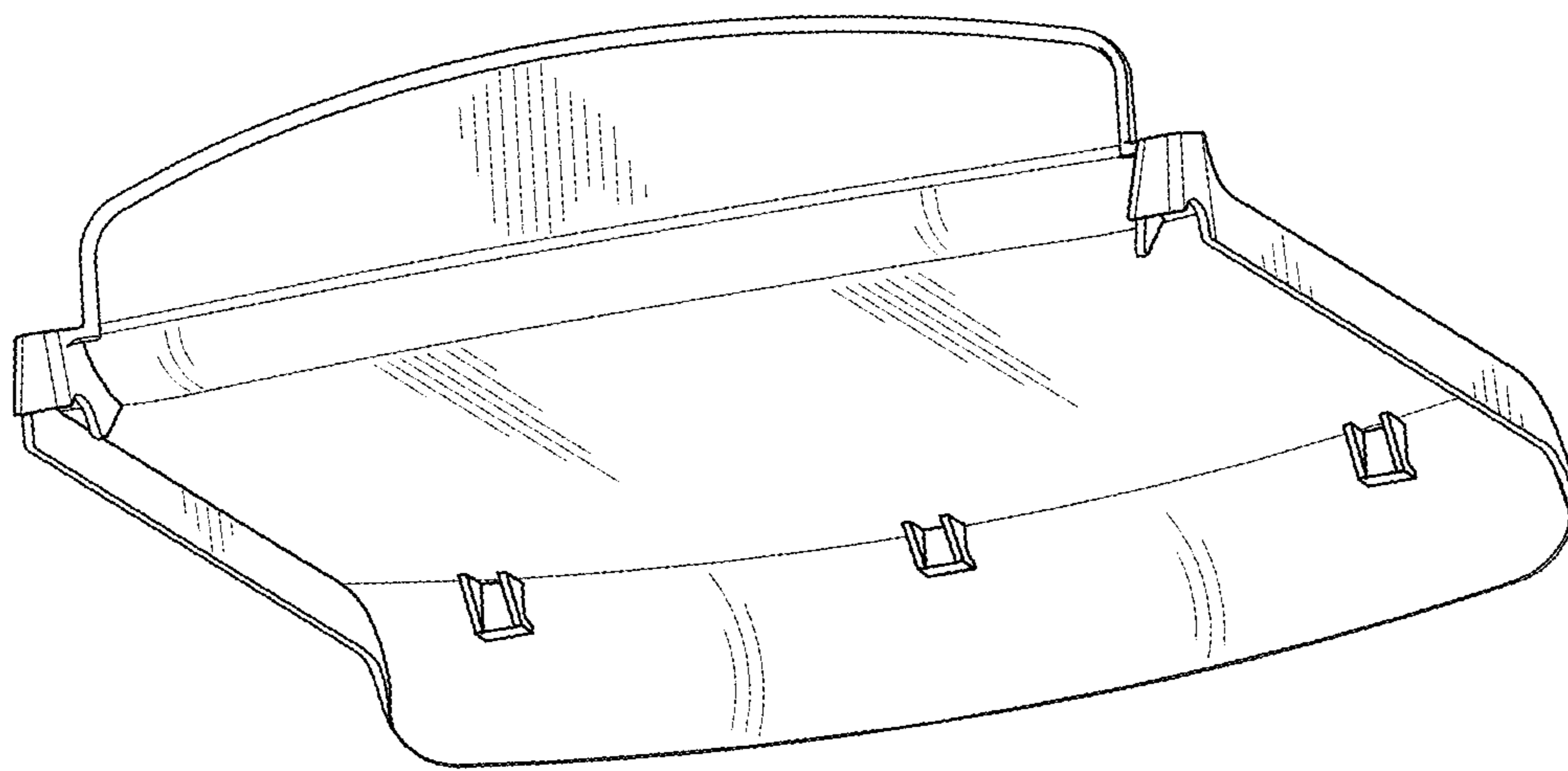


FIG. 9