



US00D792139S

(12) **United States Design Patent**
Giovanetti

(10) **Patent No.:** **US D792,139 S**

(45) **Date of Patent:** **** Jul. 18, 2017**

(54) **SUPPORT FOR SOFA**

(71) Applicant: **FAST S.P.A.**, Vestone (IT)
(72) Inventor: **Riccardo Giovanetti**, Brescia (IT)
(73) Assignee: **FAST S.p.A.**, Brescia (IT)
(**) Term: **15 Years**
(21) Appl. No.: **35/500,519**

(22) Filed: **Oct. 6, 2015**

(80) **Hague Agreement Data**

Int. Filing Date: **Oct. 6, 2015**
Int. Reg. No.: **DM/088942**
Int. Reg. Date: **Oct. 6, 2015**
Int. Reg. Pub. Date: **Jan. 22, 2016**

(30) **Foreign Application Priority Data**

Apr. 8, 2015 (IT) BS2015O000017

(51) **LOC (10) Cl.** **06-06**

(52) **U.S. Cl.**
USPC **D6/716**

(58) **Field of Classification Search**
USPC D6/381, 702, 708.16, 716
CPC A47C 4/00; A47C 4/18; A47C 4/42; A47C
7/02; A47C 17/00

See application file for complete search history.

(56) **References Cited**

U.S. PATENT DOCUMENTS

D190,805 S * 7/1961 Deskey D6/334
D280,683 S * 9/1985 Parker D6/370
D543,738 S * 6/2007 Quicoy A47C 4/42
D6/368
D554,916 S * 11/2007 Schultz D6/716
D562,034 S * 2/2008 Pappas D6/708.16
D737,085 S * 8/2015 Velez D6/708.16

* cited by examiner

Primary Examiner — Mary Ann Calabrese

(74) *Attorney, Agent, or Firm* — Thomas | Horstemeyer,
LLP

(57) **CLAIM**

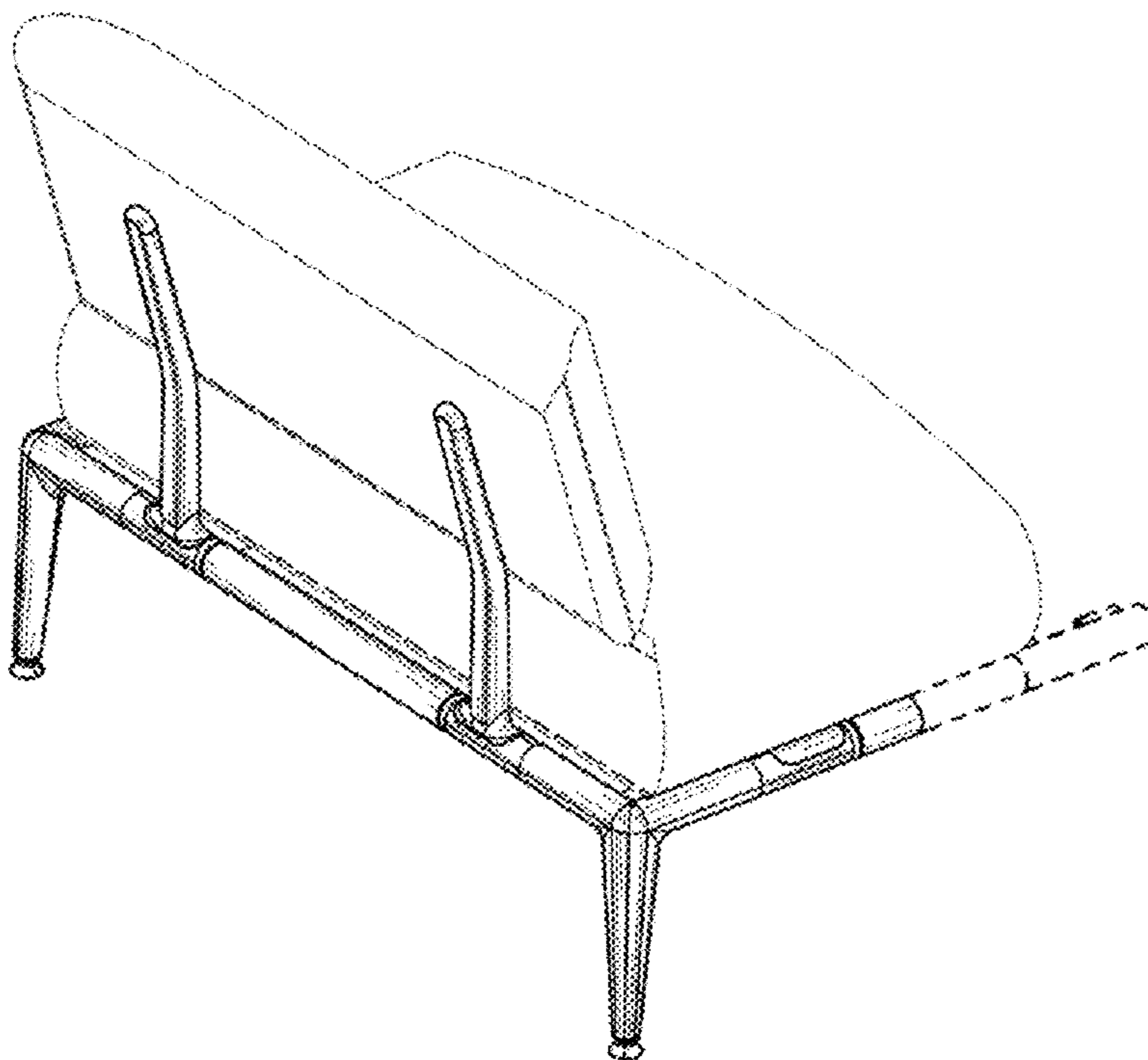
The ornamental design for a support for sofa, as shown and described.

DESCRIPTION

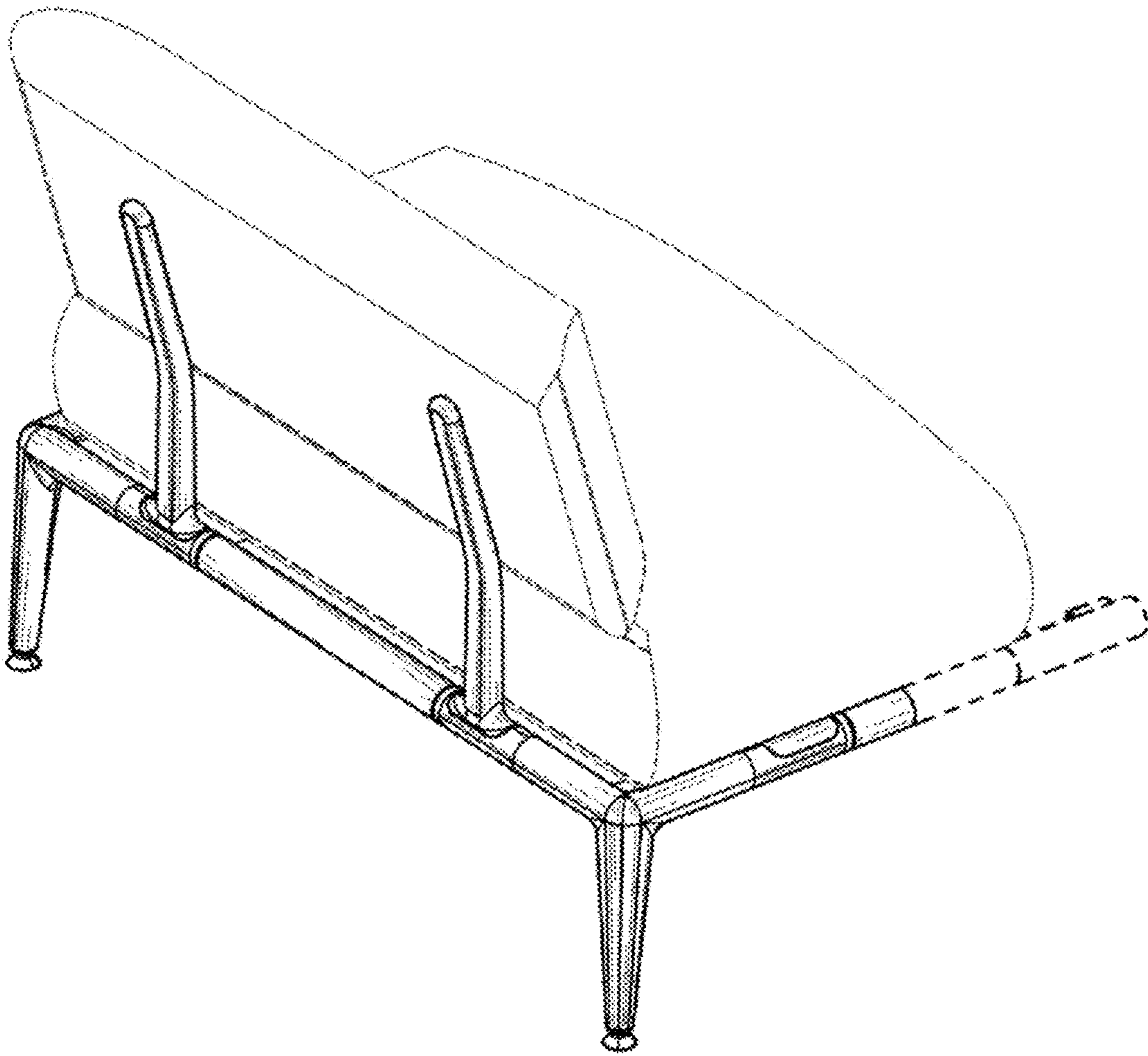
1.1 is a perspective view of my support for sofa;
1.2 is an elevational view thereof;
1.3 is a top view thereof;
1.4 is an elevational view of a front end thereof; and,
1.5 is an elevational view thereof from a rear end opposite that of **1.4**.

The broken line showing of part of the support for sofa in the figures is included for the purpose of illustrating environmental structure and forms no part of the claimed design.

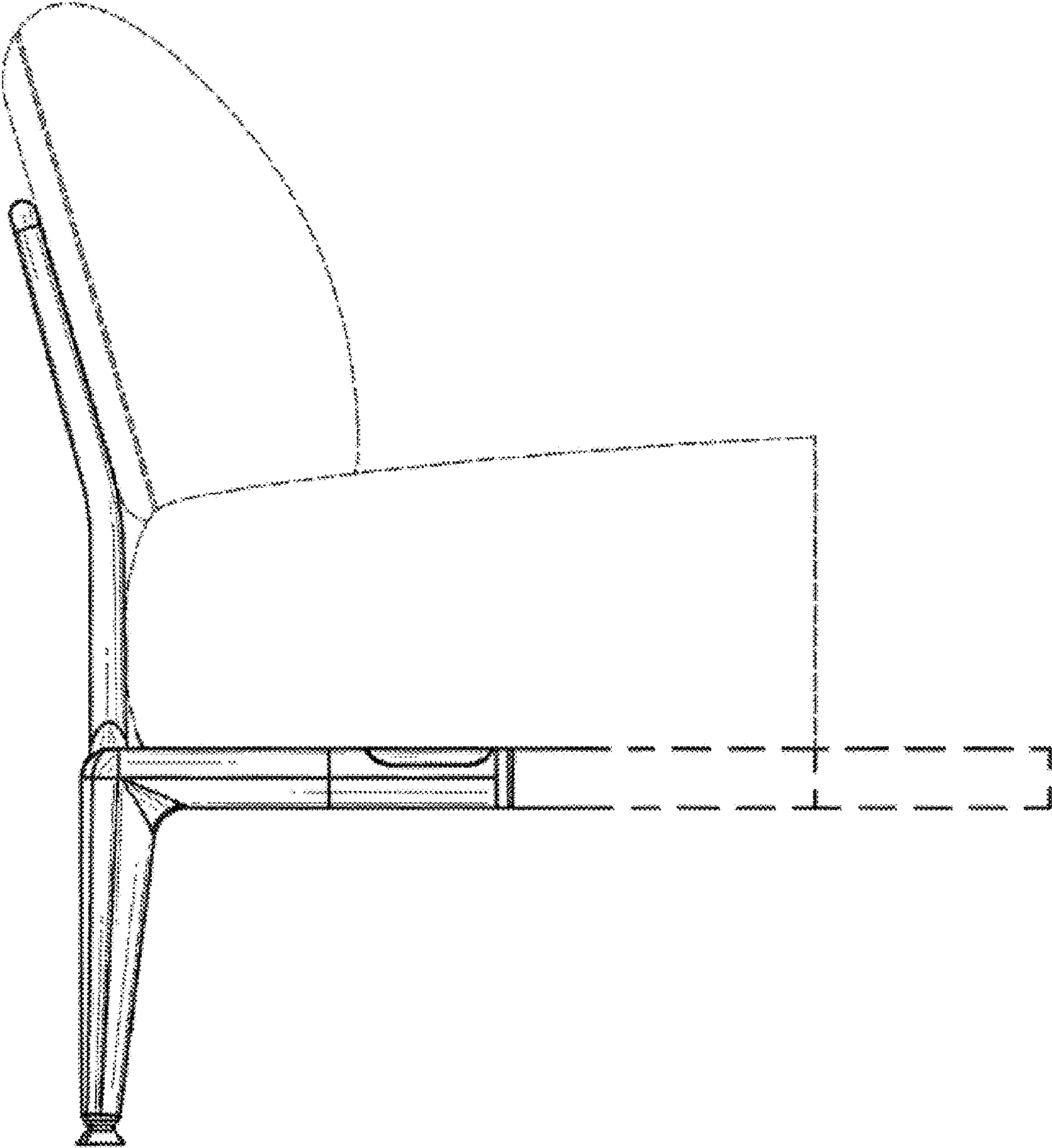
1 Claim, 5 Drawing Sheets



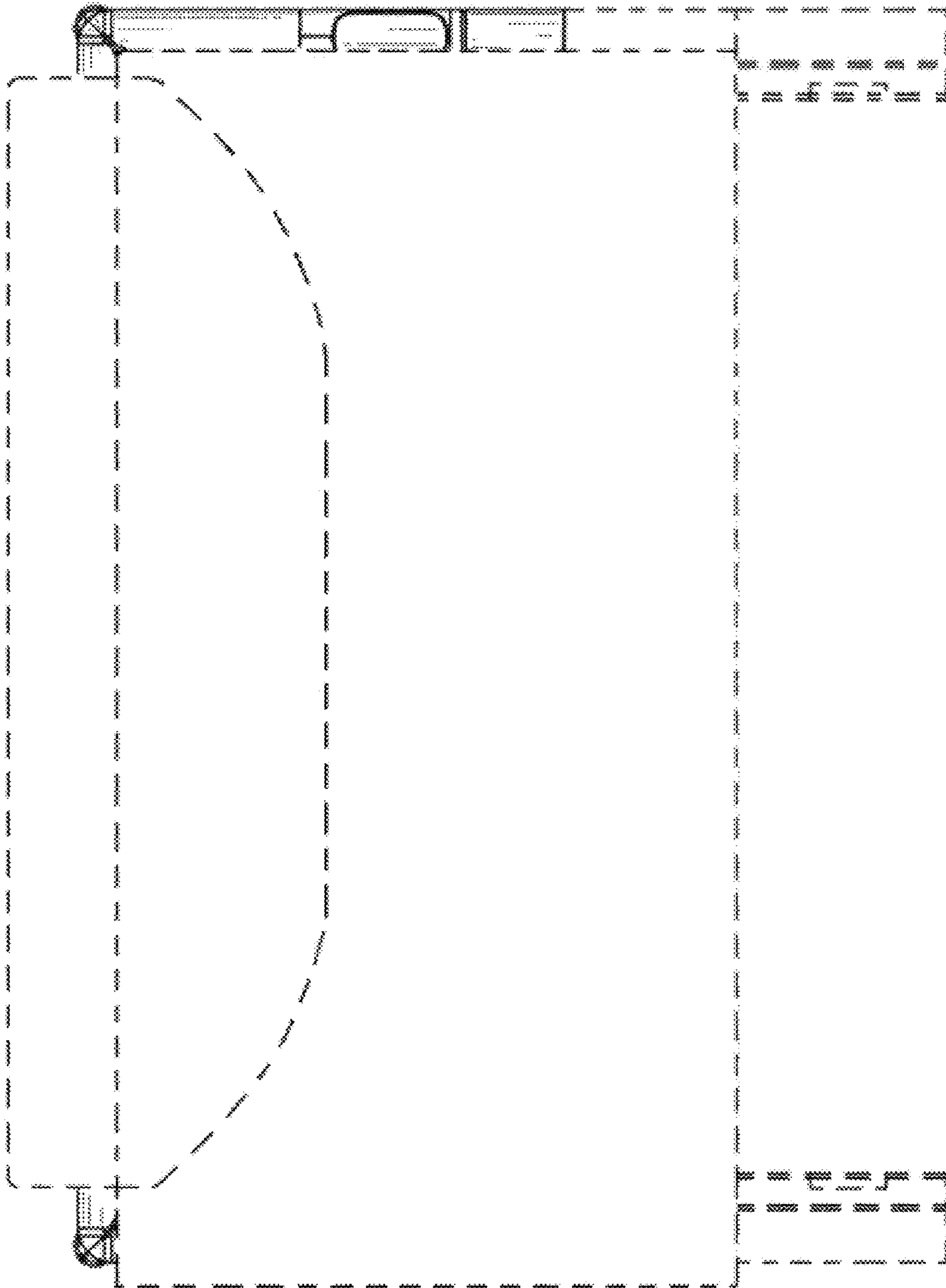
1.1



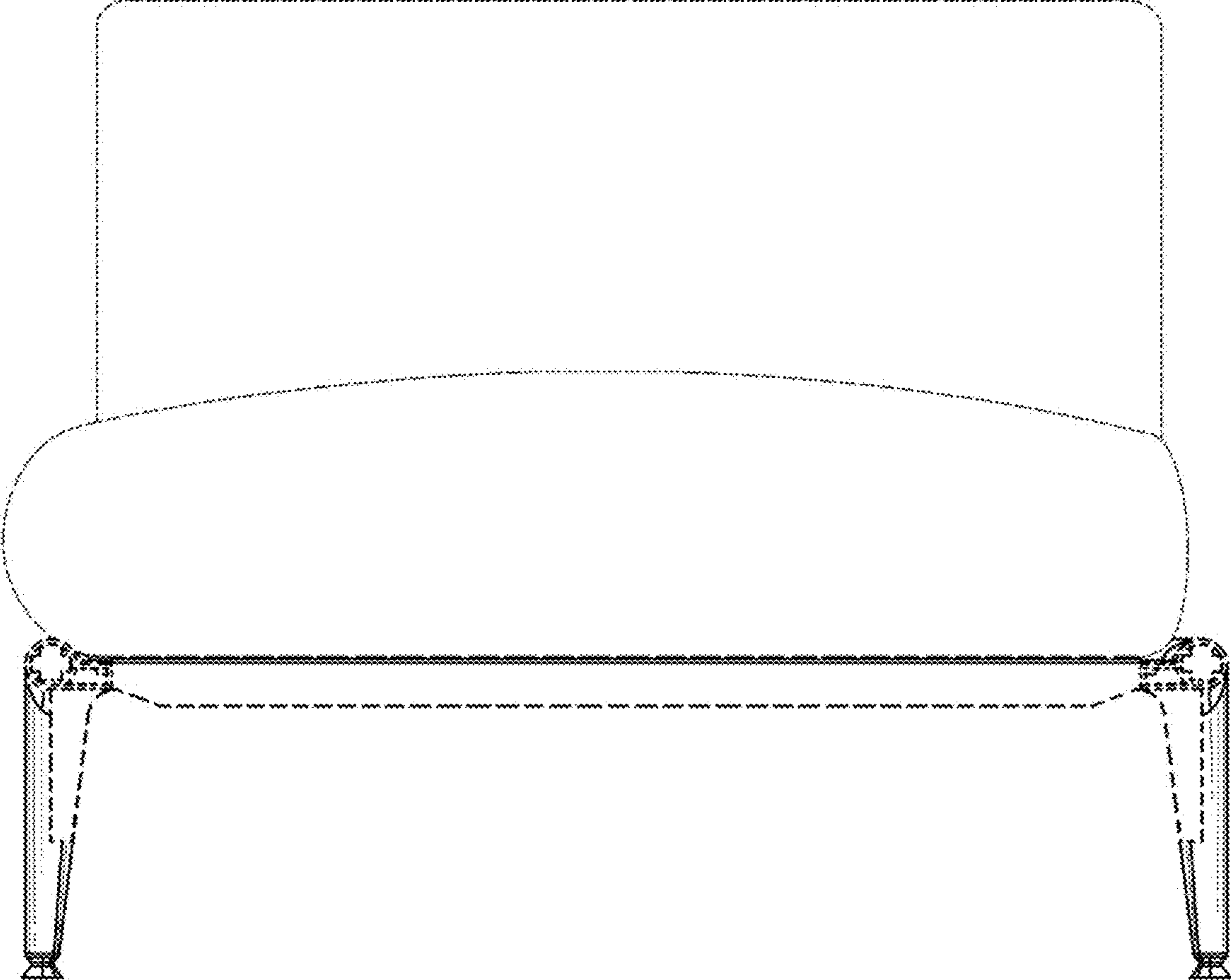
1.2



1.3



1.4



1.5

