



US00D792138S

(12) **United States Design Patent** (10) **Patent No.:** **US D792,138 S**
Yoo et al. (45) **Date of Patent:** **** Jul. 18, 2017**

(54) **TABLE LEG**
(71) Applicant: **Steelcase Inc.**, Grand Rapids, MI (US)
(72) Inventors: **Hyun Yoo**, Grand Rapids, MI (US); **Michael Held**, Quarry Bay (HK); **Siu Cho Ho**, Fanling (HK); **Mark William Spoelhof**, Grand Rapids, MI (US)
(73) Assignee: **Steelcase Inc.**, Grand Rapids, MI (US)
(**) Term: **15 Years**
(21) Appl. No.: **29/549,126**
(22) Filed: **Dec. 18, 2015**
(51) **LOC (10) Cl.** **06-06**
(52) **U.S. Cl.**
USPC **D6/709.2**
(58) **Field of Classification Search**
USPC D6/671, 675, 677, 685, 687, 690, 691, D6/691.1, 691.2, 691.3, 691.4, 691.5, D6/691.9, 693, 695, 695.2, 696, 697, 698, D6/699, 699.2, 703, 707, 709, 709.2
CPC A47B 7/00; A47B 13/08; A47B 13/10; A47B 21/00; A47B 2009/006; A47B 11/00; A47B 2200/002; A47B 2200/003; A47B 2200/0026; A47B 2200/0035; A47B 2200/0037
See application file for complete search history.

3,756,166 A * 9/1973 Piretti A47B 3/08 108/115
3,863,875 A 2/1975 Olson
4,112,855 A 9/1978 Colby
4,196,675 A 4/1980 Cook
4,467,730 A 8/1984 Borichevsky
D296,171 S 6/1988 Murry
5,152,591 A 10/1992 Beals
D371,027 S 6/1996 Skurman
D509,972 S * 9/2005 Brownfield D6/677
D653,532 S * 2/2012 Vu D6/709
D659,442 S * 5/2012 Henriott D6/709
D661,129 S 6/2012 Schweikarth et al.
D663,555 S * 7/2012 Korb D6/709
D665,248 S * 8/2012 Vu D6/709
D684,414 S * 6/2013 Tsuchiyama D6/709
D705,556 S 5/2014 Udagawa et al.

(Continued)

FOREIGN PATENT DOCUMENTS

DE 29920940 5/2000
DE 20305585 10/2003

(Continued)

Primary Examiner — Mary Ann Calabrese
Assistant Examiner — Sloan Rozin
(74) *Attorney, Agent, or Firm* — Price Heneveld LLP

(57) **CLAIM**

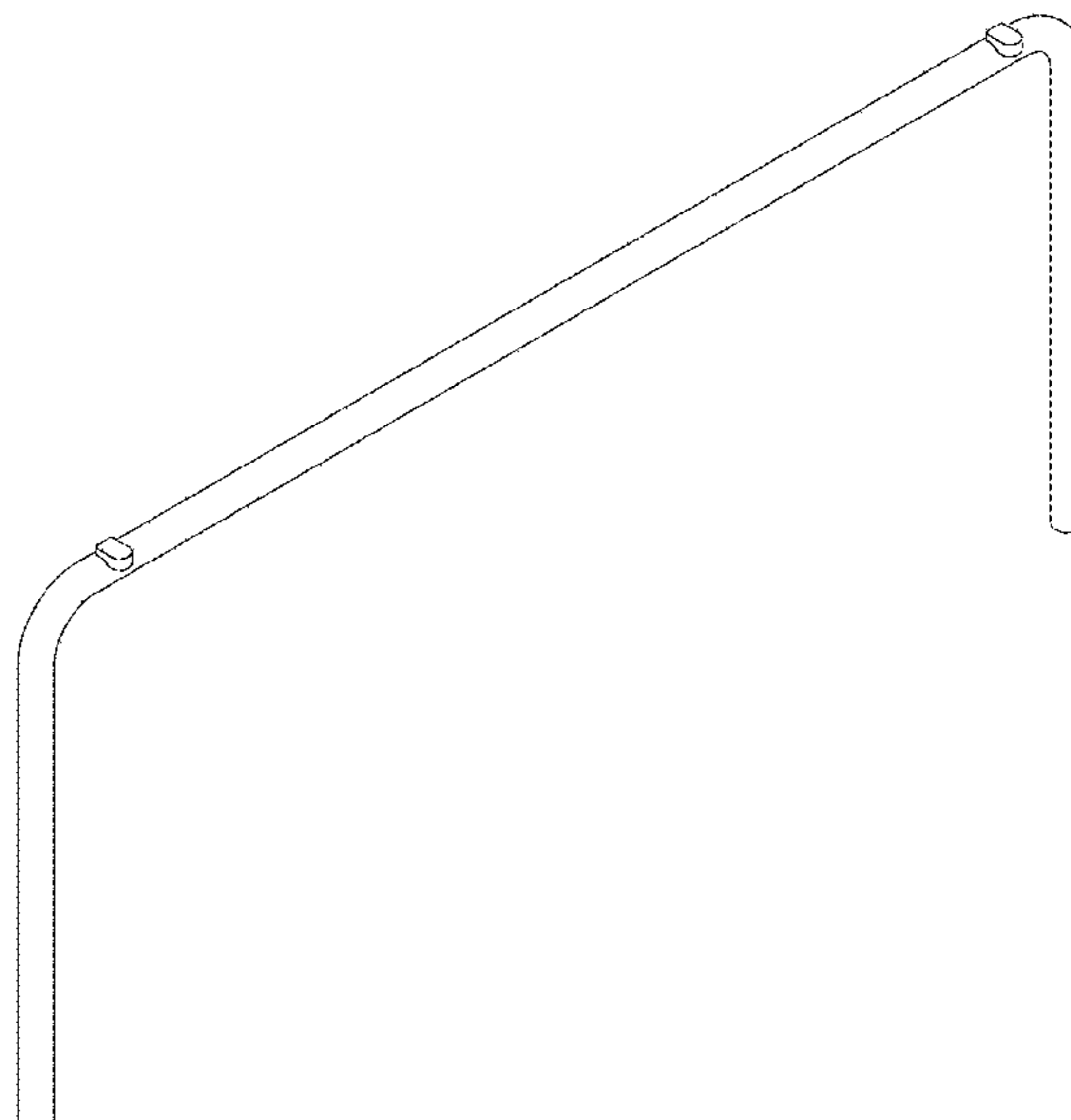
The ornamental design for the table leg, as shown and described herein.

DESCRIPTION

FIG. 1 is a perspective view of a table leg embodying the present invention;
FIG. 2 is a side elevational view of the table leg;
FIG. 3 is front elevational view of the table leg;
FIG. 4 is a rear elevational view of the table leg;
FIG. 5 is a top plan view of the table leg; and,
FIG. 6 is a bottom plan view of the table leg.

1 Claim, 4 Drawing Sheets

(56) **References Cited**
U.S. PATENT DOCUMENTS
2,597,166 A 5/1952 Murray
D171,619 S 3/1954 Roth
D177,298 S 3/1956 Wright
2,887,348 A 5/1959 Sadowsky
2,902,325 A 9/1959 Knoblock et al.
D208,055 S 7/1967 Durfee et al.
3,561,376 A 2/1971 Knoblock
D226,546 S 3/1973 Priefert



(56)

References Cited

U.S. PATENT DOCUMENTS

D721,245 S * 1/2015 Agati D6/709
2003/0172493 A1* 9/2003 Christiansen A47B 3/0812
16/232
2008/0017083 A1* 1/2008 VanNimwegen A47B 3/08
108/121
2016/0345724 A1* 12/2016 White A47B 21/06

FOREIGN PATENT DOCUMENTS

DE 10313346 10/2004
GB 484419 5/1938
GB 2184941 7/1987

* cited by examiner

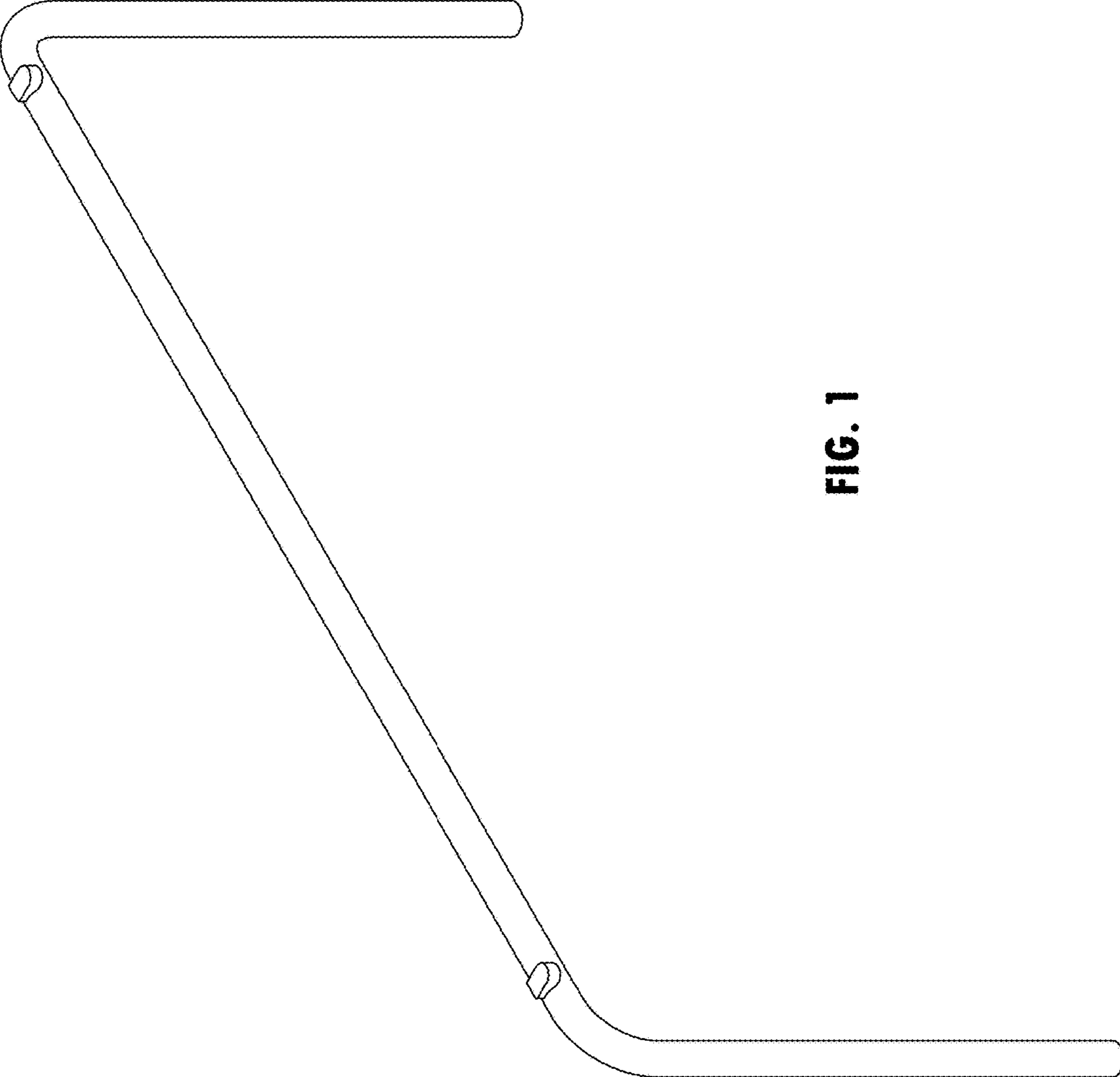


FIG. 1



FIG. 2

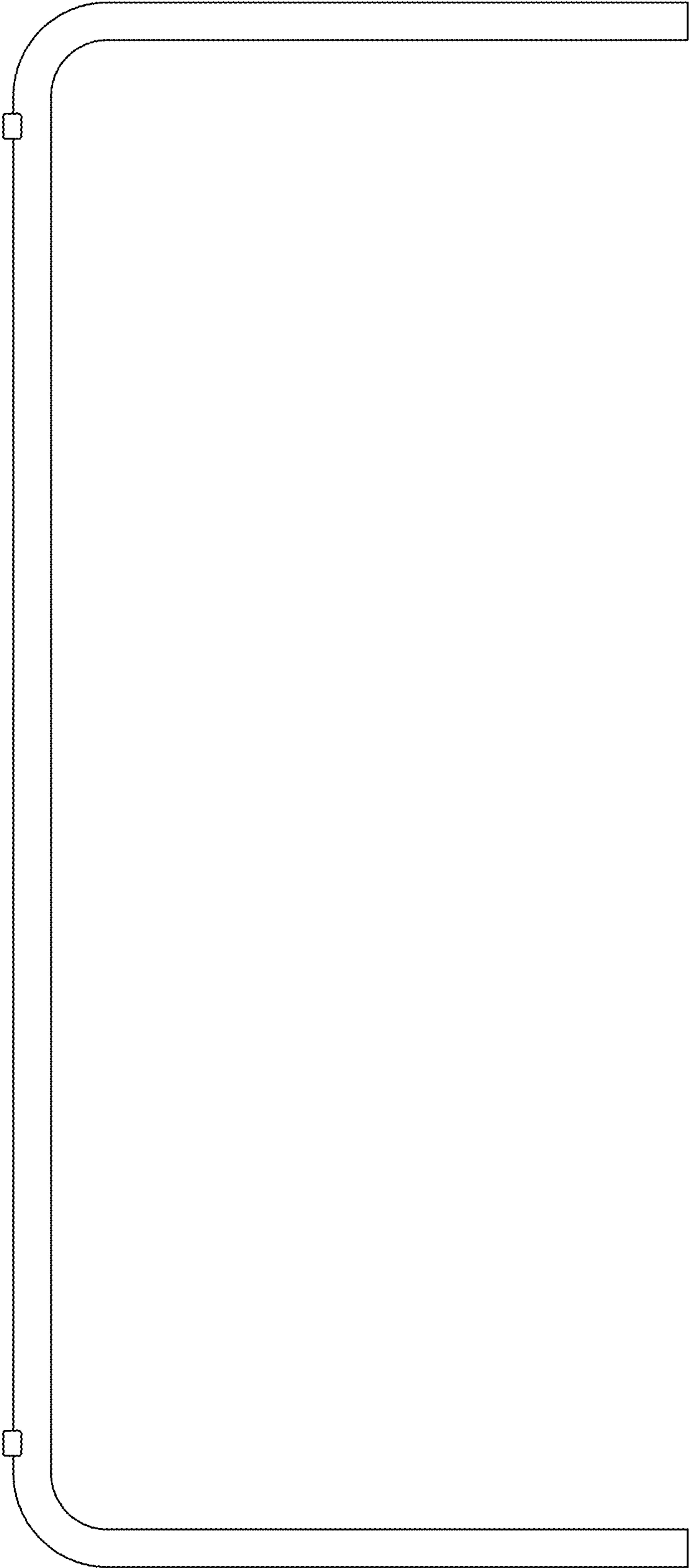


FIG. 3

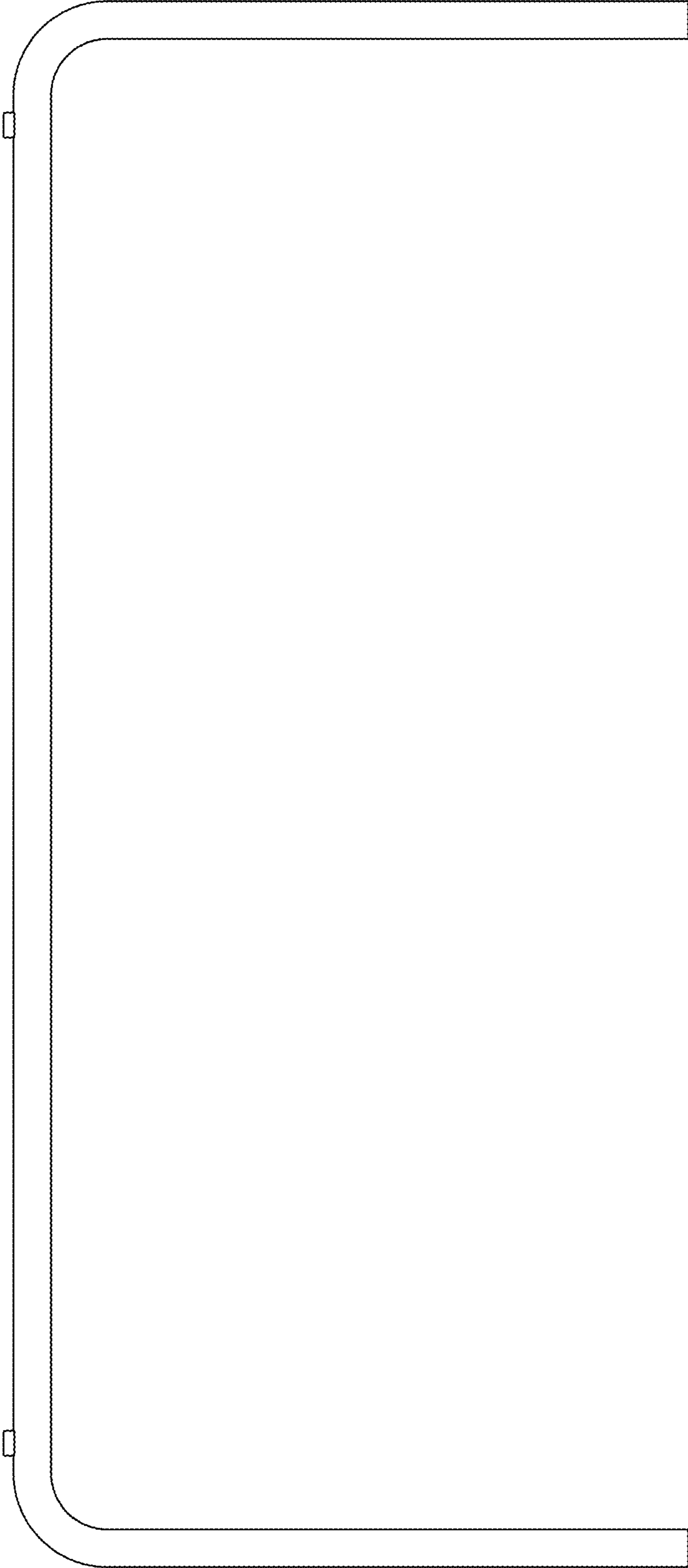


FIG. 4

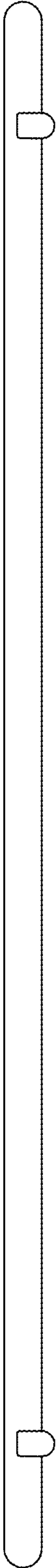


FIG. 5

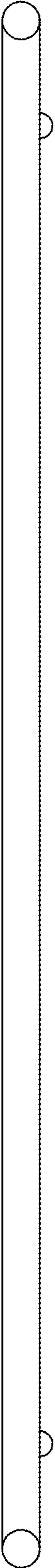


FIG. 6