



US00D792137S

(12) **United States Design Patent**  
**Collette**

(10) **Patent No.:** **US D792,137 S**  
(45) **Date of Patent:** **\*\* Jul. 18, 2017**

(54) **ADJUSTABLE SHELF DIVIDER FOR DISPLAY OF BAGGED FOOD ITEMS**

(71) Applicant: **Post Consumer Brands, LLC,**  
Lakeville, MN (US)

(72) Inventor: **Stephen Robert Collette,** Lakeville,  
MN (US)

(73) Assignee: **POST CONSUMER BRANDS, LLC,**  
Lakeville, MN (US)

(\*\*) Term: **15 Years**

(21) Appl. No.: **29/560,038**

(22) Filed: **Apr. 1, 2016**

(51) **LOC (10) Cl.** ..... **06-06**

(52) **U.S. Cl.**  
USPC ..... **D6/706**

(58) **Field of Classification Search**  
USPC ..... D6/705.2, 705.7, 706, 682.4, 678.2  
CPC ..... A47B 57/58; A47B 96/04; A47F 5/005;  
A47F 5/0068  
See application file for complete search history.

(56) **References Cited**

**U.S. PATENT DOCUMENTS**

2,943,742 A	7/1960	Colley	
D242,198 S	11/1976	Geisler	
4,111,307 A	9/1978	Peggs	
D252,436 S *	7/1979	Elliott	D6/706
D274,491 S	7/1984	Lietzke	
D279,151 S *	6/1985	Weiller	D6/706
4,762,235 A	8/1988	Howard et al.	
4,765,492 A	8/1988	Howard et al.	
D306,670 S *	3/1990	Pfleuger	D6/706
D308,394 S *	6/1990	Smith	D19/34.1
D311,469 S	10/1990	Miller	
D318,769 S	8/1991	Marchiony et al.	

5,073,428 A *	12/1991	Lancelot	A47G 27/0206 428/120
D327,190 S	6/1992	Wear et al.	
D333,934 S	3/1993	Ozawa	
D369,700 S	5/1996	Sandy	
D386,335 S	11/1997	LaFreniere	
D458,781 S	6/2002	Cook et al.	
D494,394 S	8/2004	Leong-Son et al.	
D495,172 S	8/2004	Brownfield et al.	
D505,809 S *	6/2005	Cassidy	D3/319
D507,915 S	8/2005	Nagel	
D511,060 S	11/2005	Linden	
D551,294 S *	9/2007	Goudy	D19/34.1
D553,384 S	10/2007	Wilenius	
D554,912 S	11/2007	Scicluna et al.	
D568,645 S *	5/2008	Gore	D6/706
D585,215 S	1/2009	Rosenberg	
D587,939 S *	3/2009	Schloss	D6/705.5
D617,125 S	6/2010	Erickson	

(Continued)

*Primary Examiner* — Kelley Donnelly

(74) *Attorney, Agent, or Firm* — Thompson Coburn LLP;  
Matthew Himich

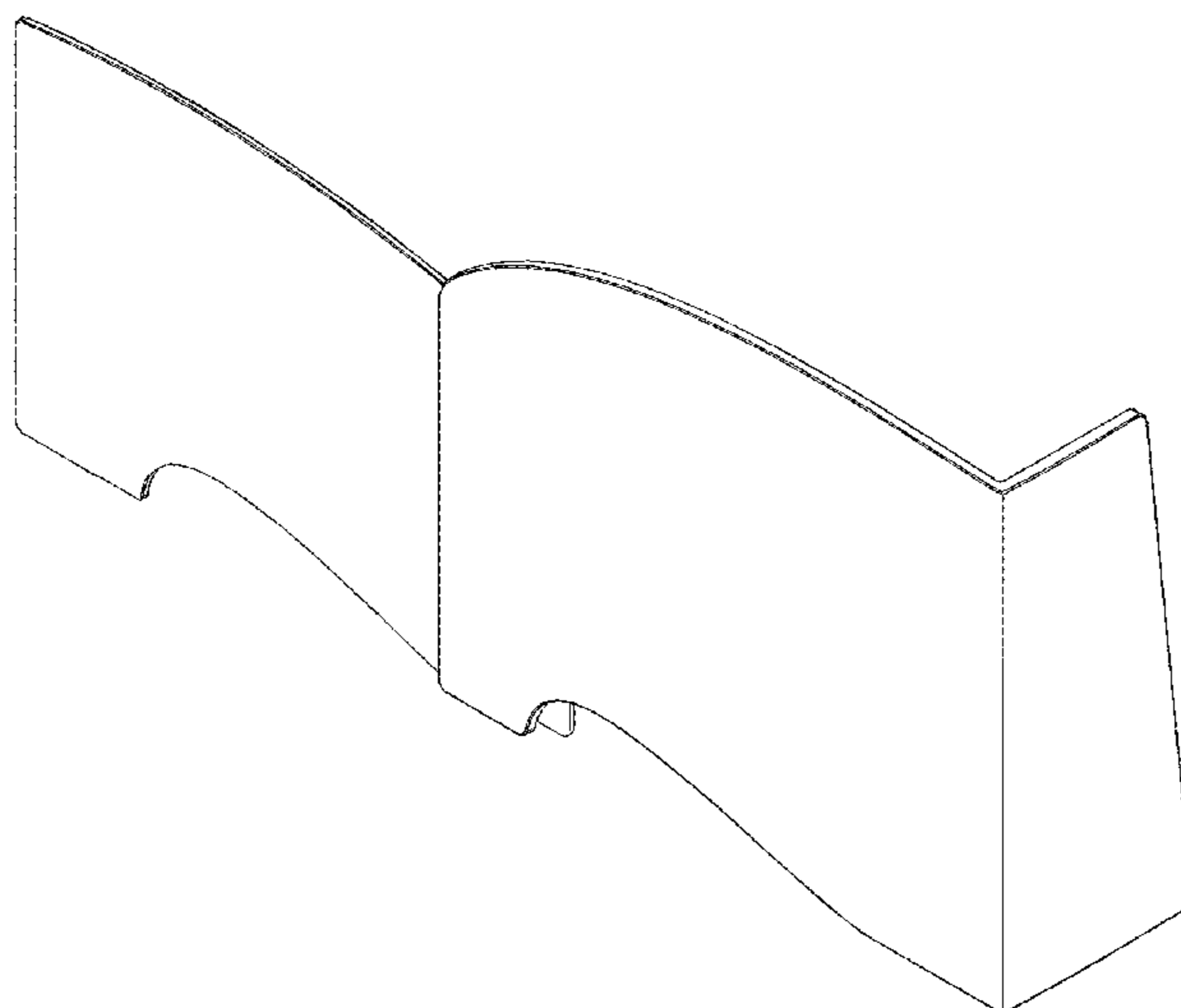
(57) **CLAIM**

The ornamental design for an adjustable shelf divider for display of bagged food items, as shown and described.

**DESCRIPTION**

FIG. 1 is a perspective view of the design in an extended configuration, showing the left front and top sides thereof. FIG. 2 is a front view of the design. FIG. 3 is a rear view of the design. FIG. 4 is a left side view of the design. FIG. 5 is a right side view of the design. FIG. 6 is a top view of the design. FIG. 7 is a bottom view of the design; and, FIG. 8 is a perspective view of the design in a partially retracted configuration, showing the left front and top sides thereof.

**1 Claim, 4 Drawing Sheets**



(56)

**References Cited**

U.S. PATENT DOCUMENTS

D619,393	S	*	7/2010	Golias .....	D6/706
D635,379	S		4/2011	Klein et al.	
D661,519	S		6/2012	James et al.	
D690,139	S		9/2013	Trinh et al.	
D699,990	S		2/2014	Martell et al.	
D702,068	S		4/2014	Mitten et al.	
D717,573	S	*	11/2014	Fishman .....	D20/44
D726,463	S	*	4/2015	Andersson .....	D6/706
D730,662	S		6/2015	Trinh et al.	
D760,519	S		7/2016	Le	
D766,023	S		9/2016	Coretti, Jr. et al.	
D773,219	S		12/2016	Clouse et al.	
D779,865	S	*	2/2017	Bram .....	D6/706
D784,746	S	*	4/2017	Jackson .....	D6/706
D784,747	S	*	4/2017	Jackson .....	D6/706
2009/0159763	A1	*	6/2009	Kim .....	F16M 13/00 248/174

\* cited by examiner

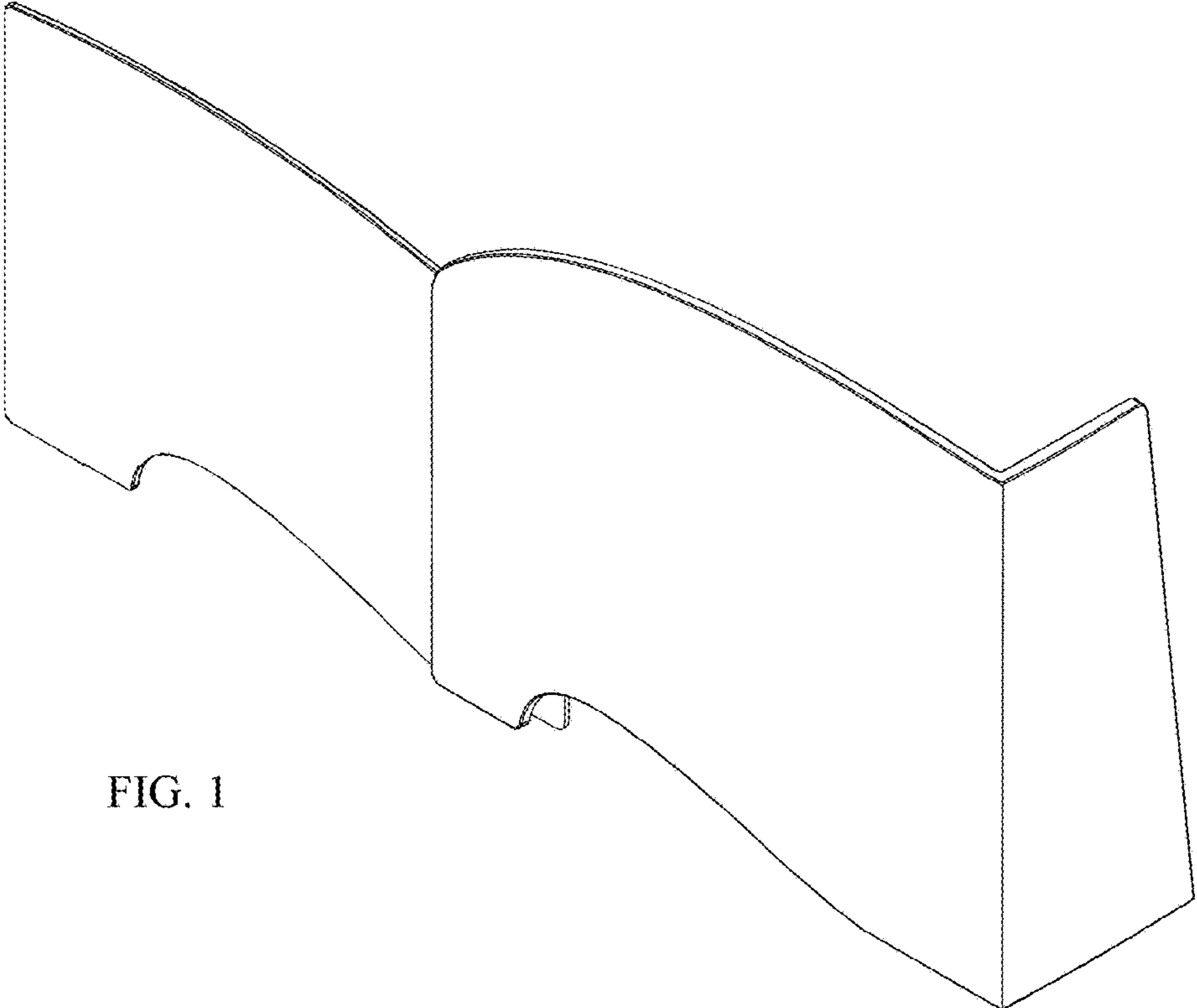


FIG. 1

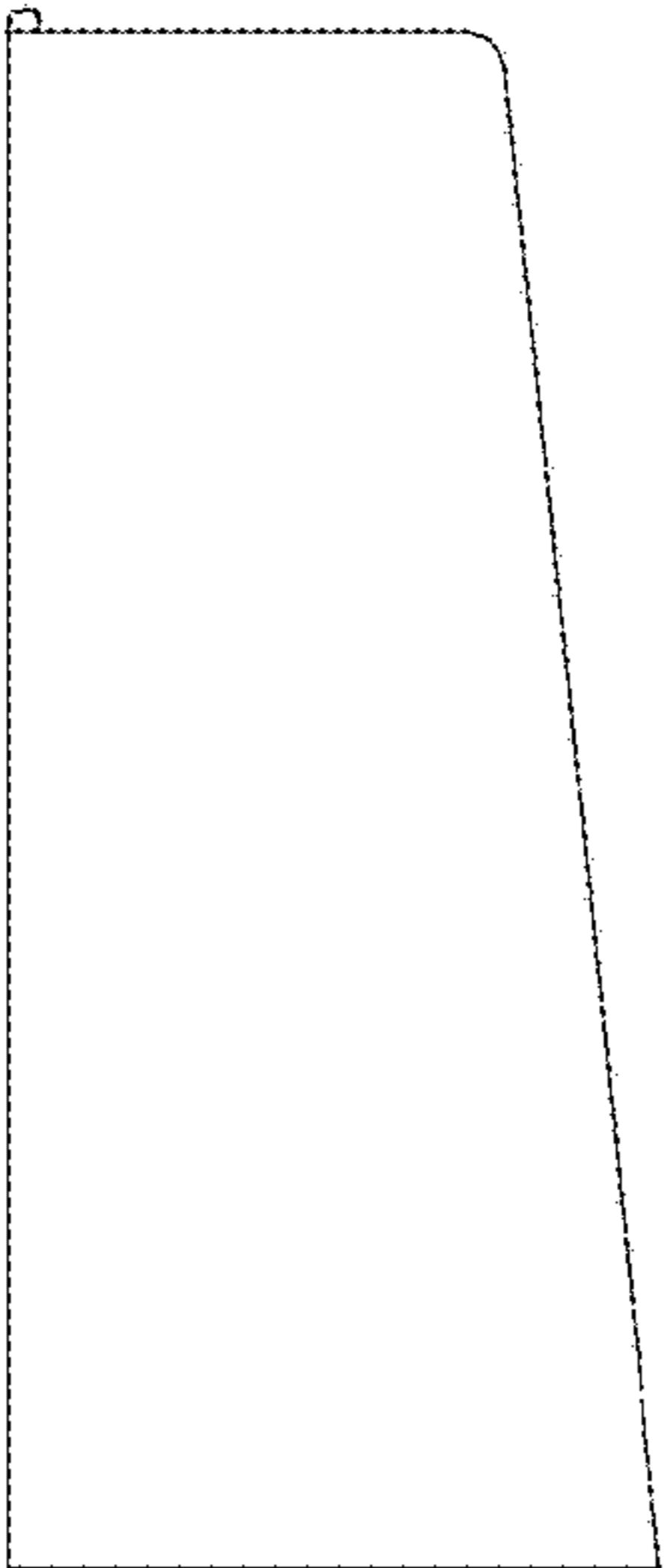


FIG. 2

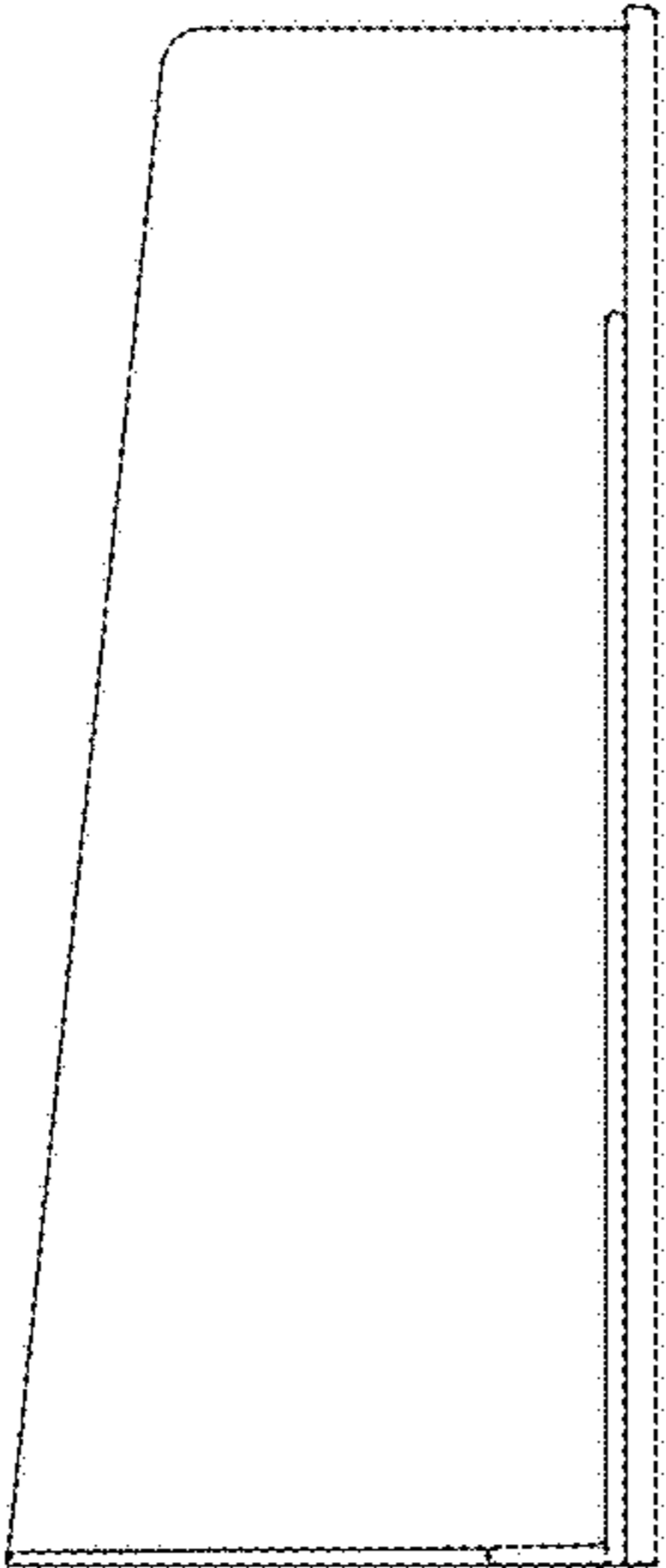


FIG. 3

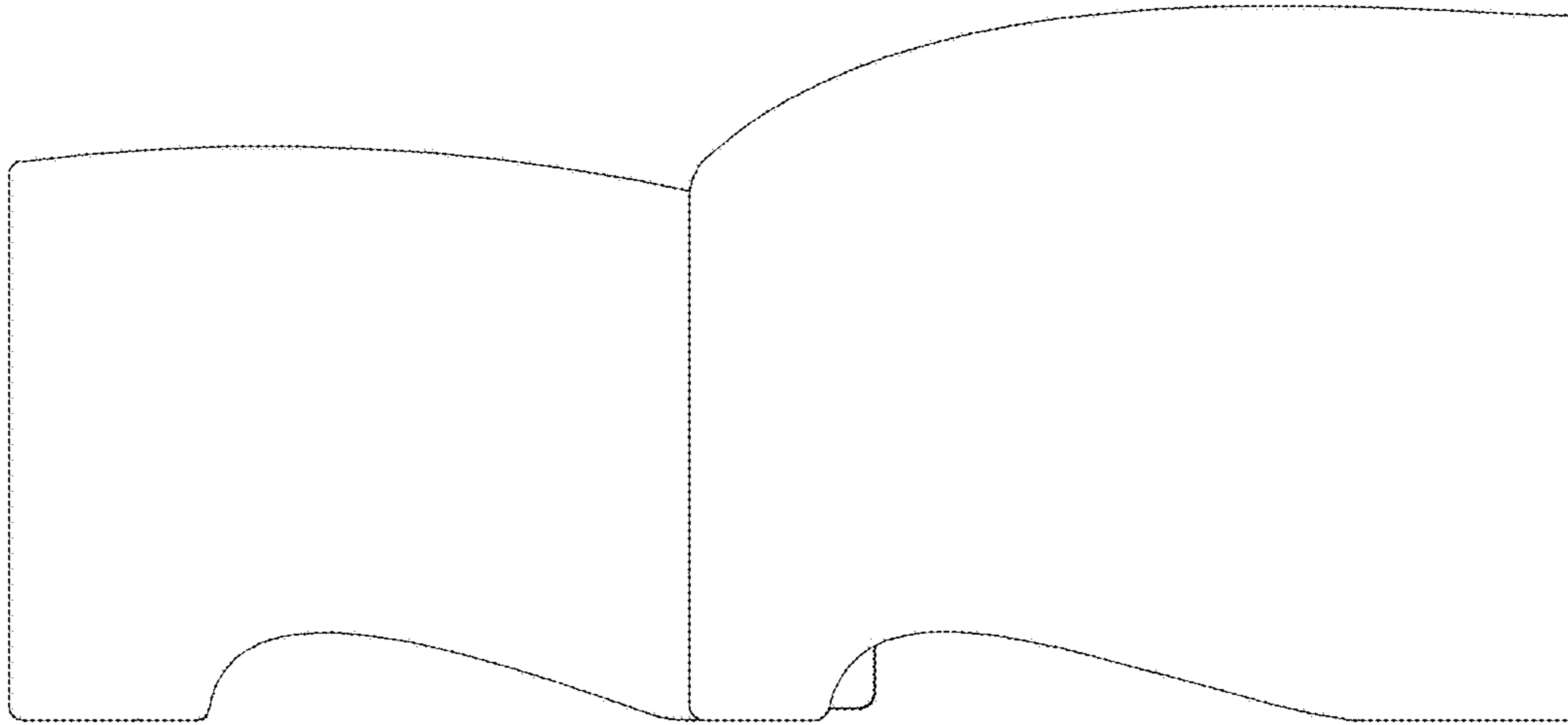


FIG. 4

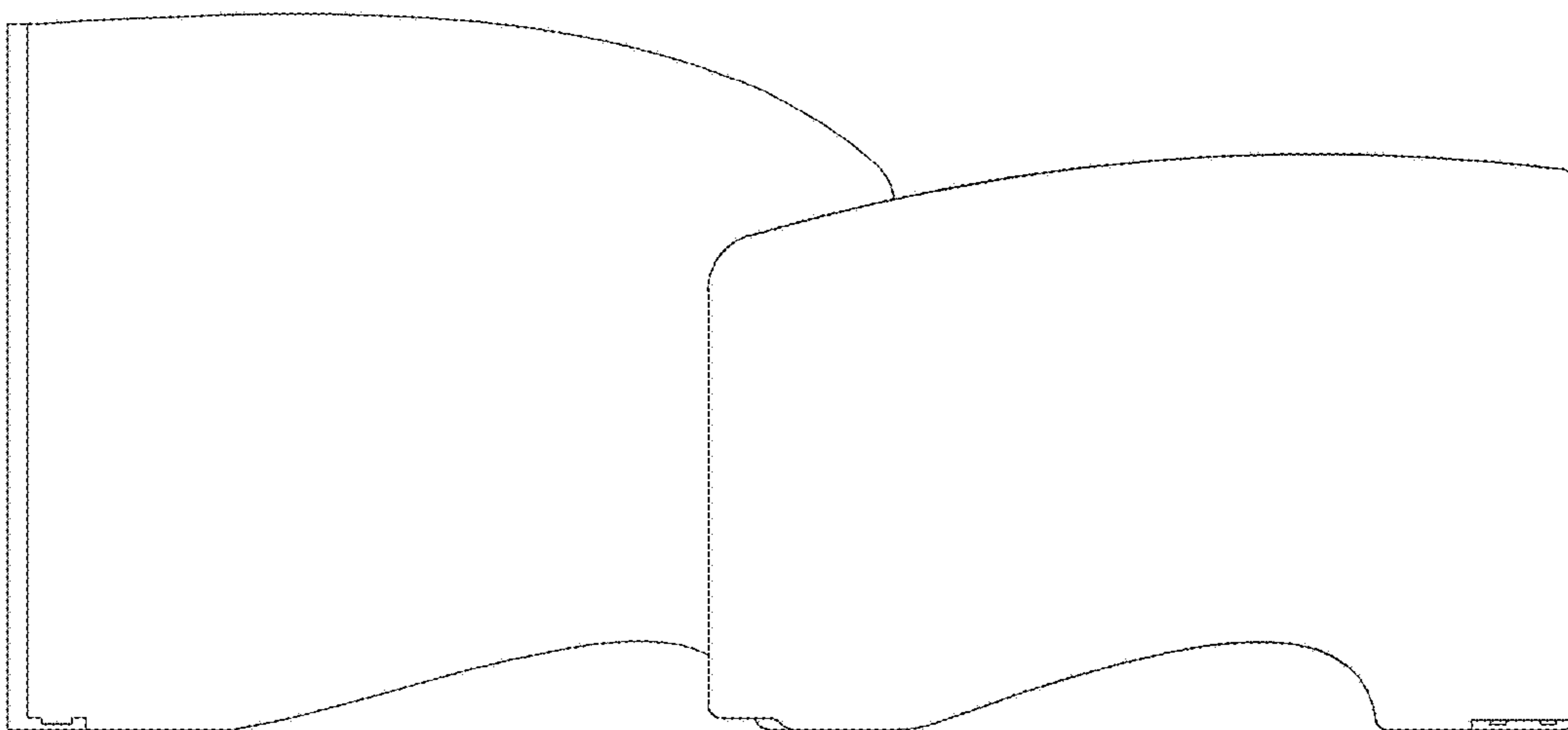


FIG. 5

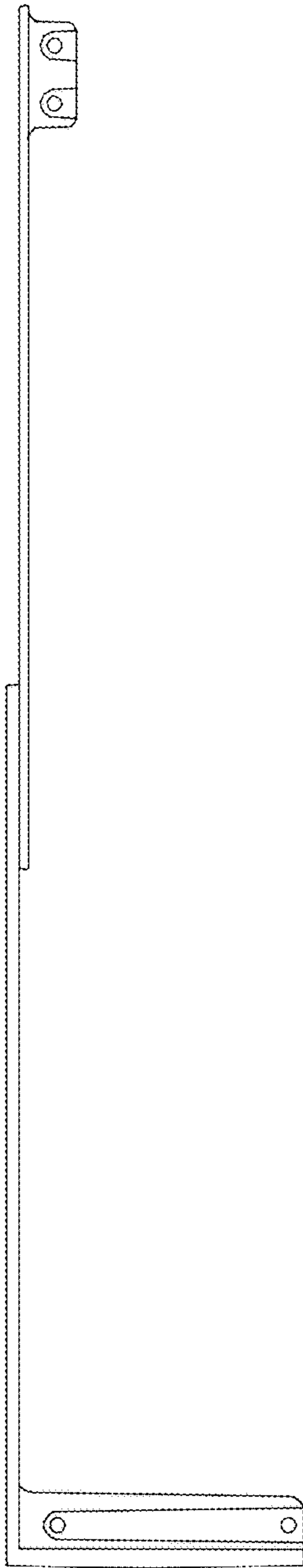


FIG. 6

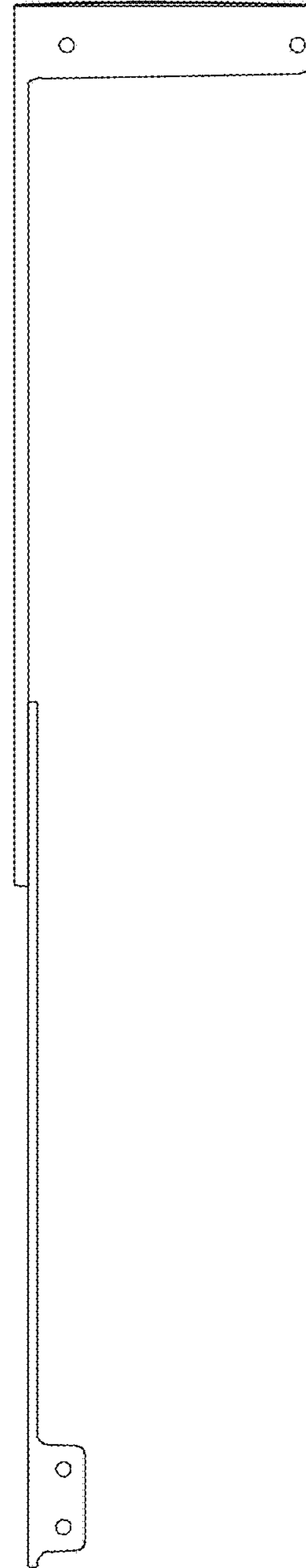


FIG. 7

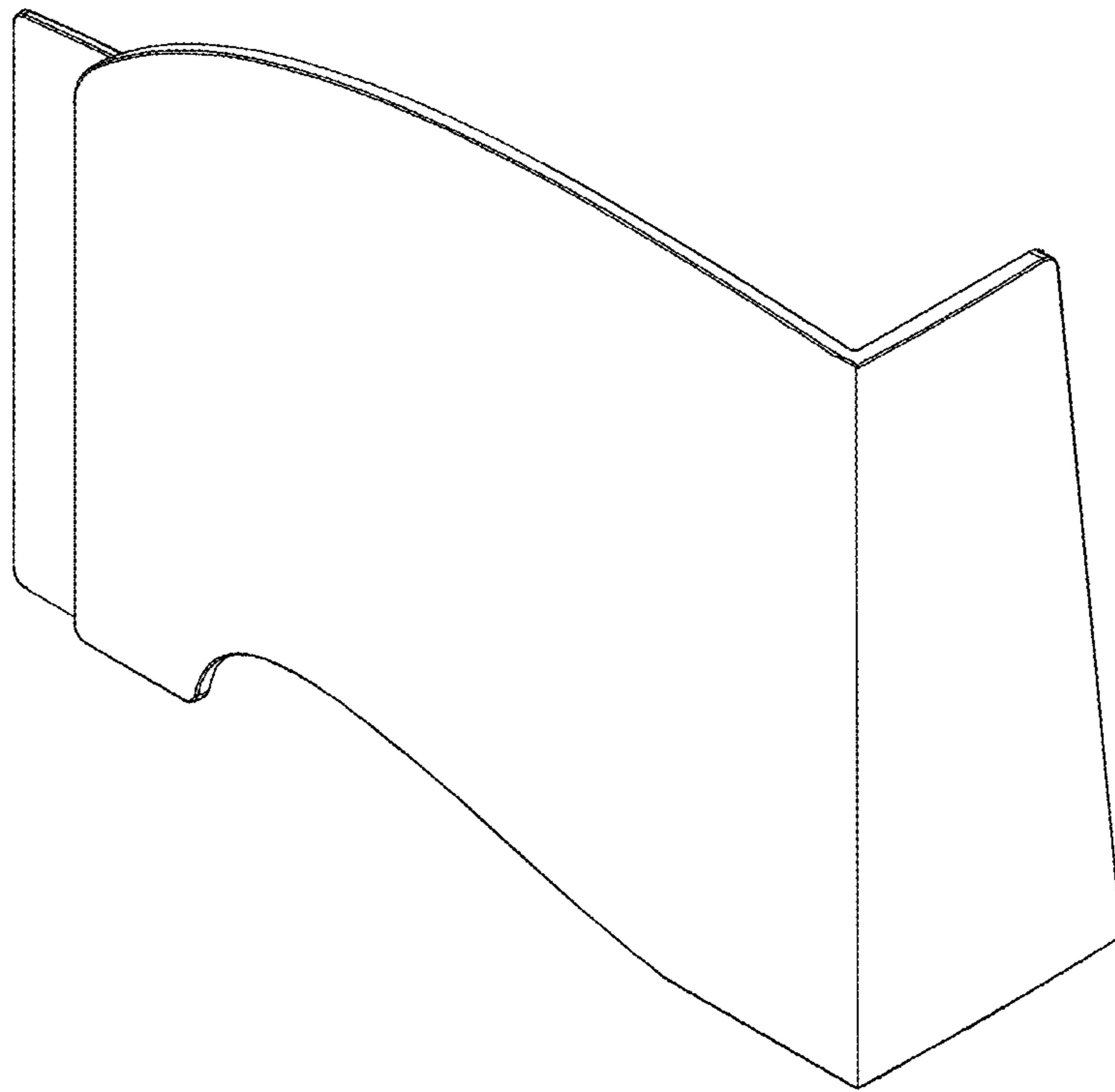


FIG. 8