



US00D792135S

(12) **United States Design Patent** (10) **Patent No.:** **US D792,135 S**  
**Wyman** (45) **Date of Patent:** **\*\* Jul. 18, 2017**

(54) **TABLE**

(71) Applicant: **Keith Wyman**, Golden Valley, MN (US)  
(72) Inventor: **Keith Wyman**, Golden Valley, MN (US)  
(\*\*) Term: **14 Years**  
(21) Appl. No.: **29/492,047**  
(22) Filed: **Jun. 24, 2014**  
(51) **LOC (10) Cl.** ..... **06-03**  
(52) **U.S. Cl.**  
USPC ..... **D6/691.1**  
(58) **Field of Classification Search**  
USPC ..... D6/333, 335, 340, 344, 347, 349-355,  
D6/358, 360, 363-365, 381, 406.6, 596,  
D6/601, 648, 662.1, 675, 677, 685-687,  
D6/688.15, 688.27, 690, 691, 691.8,  
D6/692.1-692.3, 695.1, 708.16, 708.2,  
D6/709, 709.2, 709.22, 711, 716-716.7,  
D6/717; D25/63-65  
CPC ..... A47C 1/14; A47C 3/16-3/20; A47C 4/00;  
A47C 4/28; A47C 5/02; A47C 5/04;  
A47C 5/043; A47C 7/00-7/006; A47C  
7/02; A47C 9/00; A47C 9/02; A47C  
9/002; A47C 9/007; A47C 9/025; A47C  
9/10; A47C 11/00; A47C 12/00; A47C  
13/00; A47C 16/02; A47B 7/00-7/02;  
A47B 45/00; A47B 47/04-47/045; A47B  
3/12

See application file for complete search history.

(56) **References Cited**

U.S. PATENT DOCUMENTS

D166,620 S *	4/1952	Petrone .....	D6/430
D233,293 S *	10/1974	Rosen .....	D6/691.3
D240,184 S *	6/1976	Neuschaefer .....	D6/656.1
D248,345 S *	7/1978	Stoddard .....	D6/353
D279,742 S *	7/1985	DiPersia .....	D6/691.8
D328,677 S *	8/1992	White .....	D6/688.19
D406,964 S *	3/1999	Lewis .....	D6/690
D427,814 S *	7/2000	Black .....	D6/690
D549,492 S *	8/2007	Sheppard .....	D6/691.8
D591,090 S *	4/2009	Judkins .....	D6/691.8
D693,610 S *	11/2013	Denby et al. ....	D6/690
D728,281 S *	5/2015	Heirakuji et al. ....	D6/675

\* cited by examiner

*Primary Examiner* — Vy Koenig

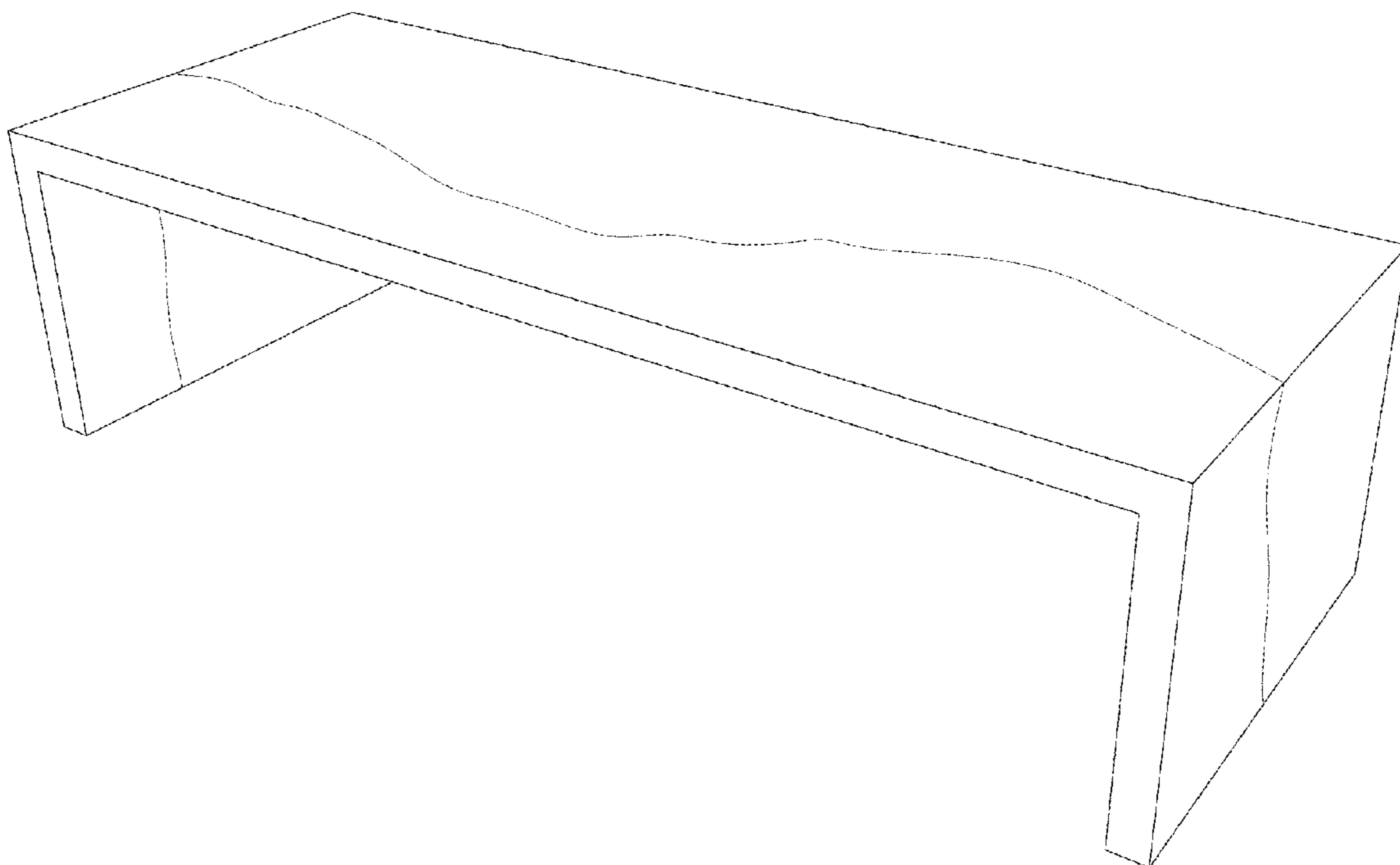
(57) **CLAIM**

The ornamental design for a table, as shown and described.

**DESCRIPTION**

FIG. 1 is a perspective view of a table showing my new design.  
FIG. 2 is a front view of the table of FIG. 1.  
FIG. 3 is a back view of the table of FIG. 1.  
FIG. 4 is a left side view of the table of FIG. 1.  
FIG. 5 is a right side view of the table of FIG. 1.  
FIG. 6 is a top view of the table of FIG. 1; and,  
FIG. 7 is a bottom view of the table of FIG. 1.

**1 Claim, 7 Drawing Sheets**



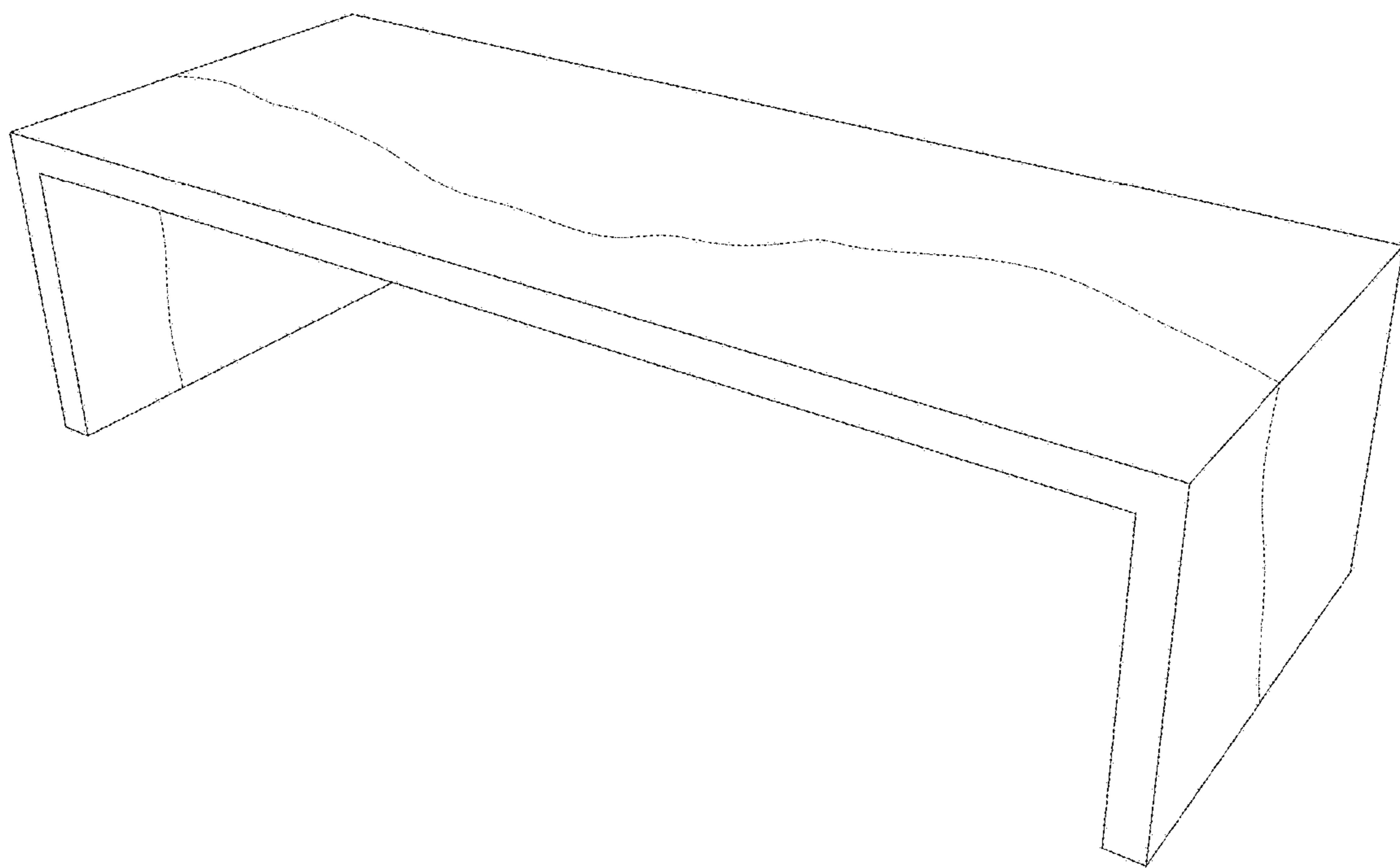


Fig. 1

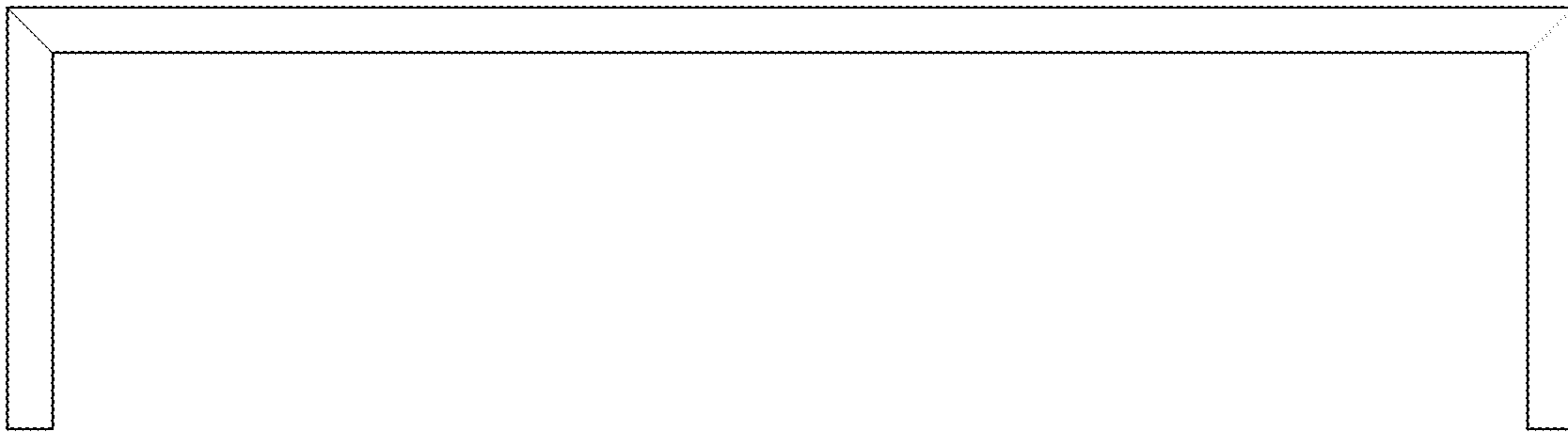


Fig. 2

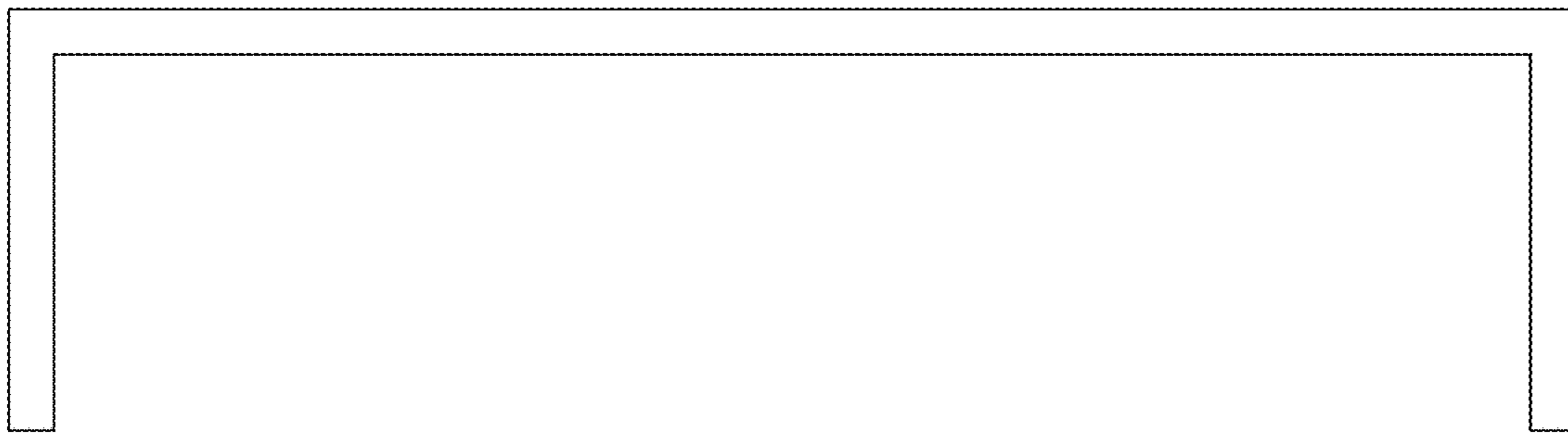


Fig. 3

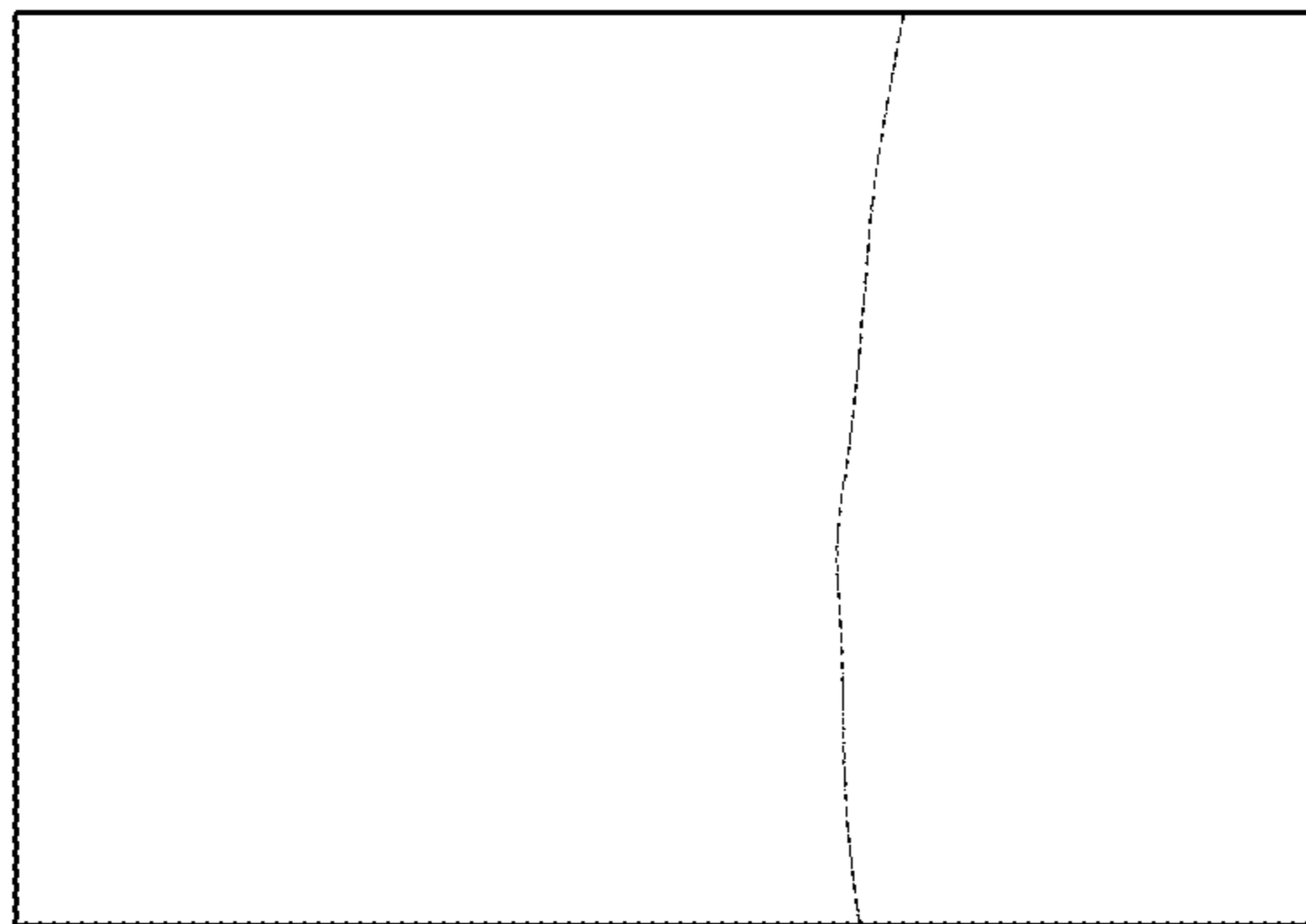


Fig. 4

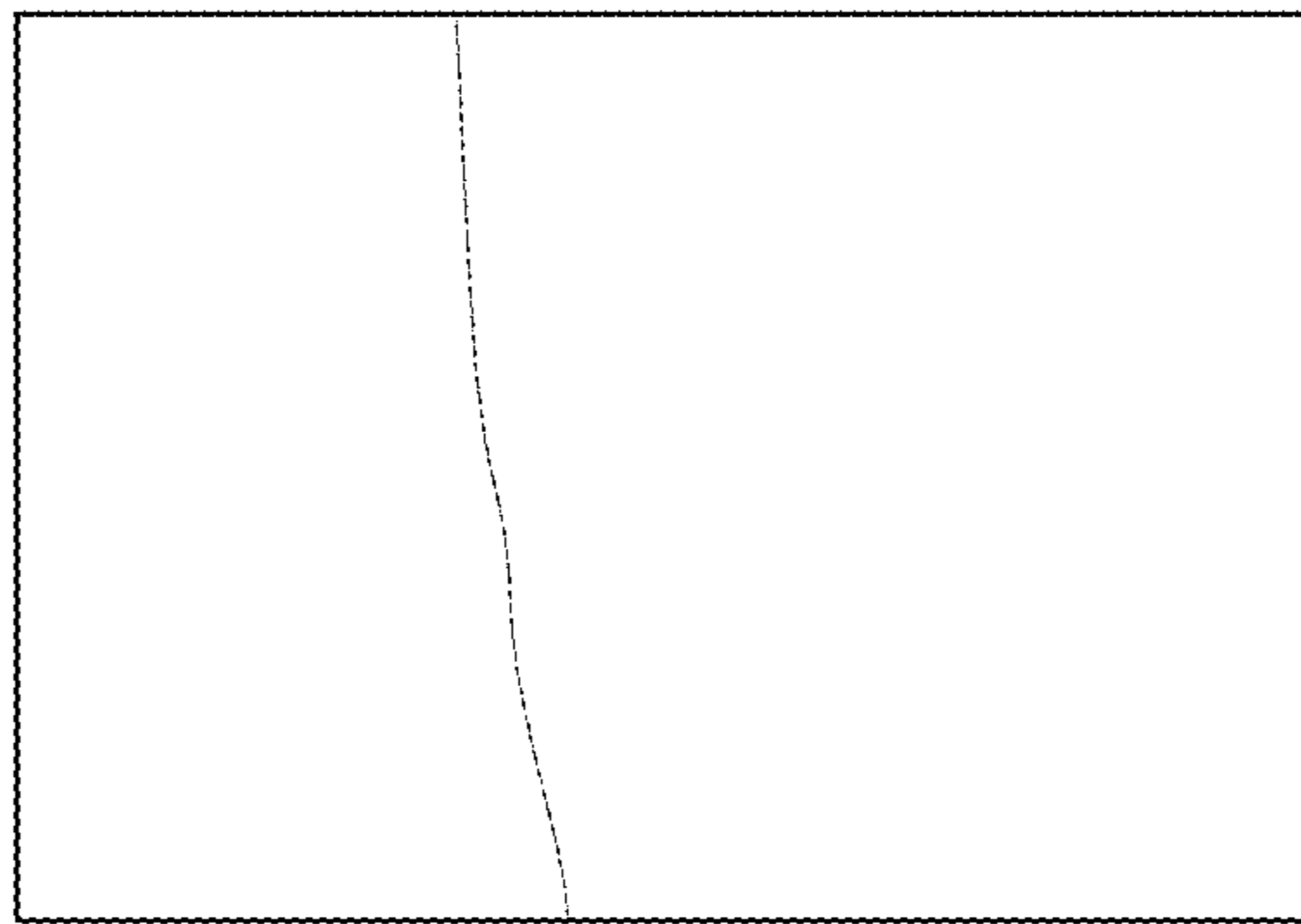


Fig. 5

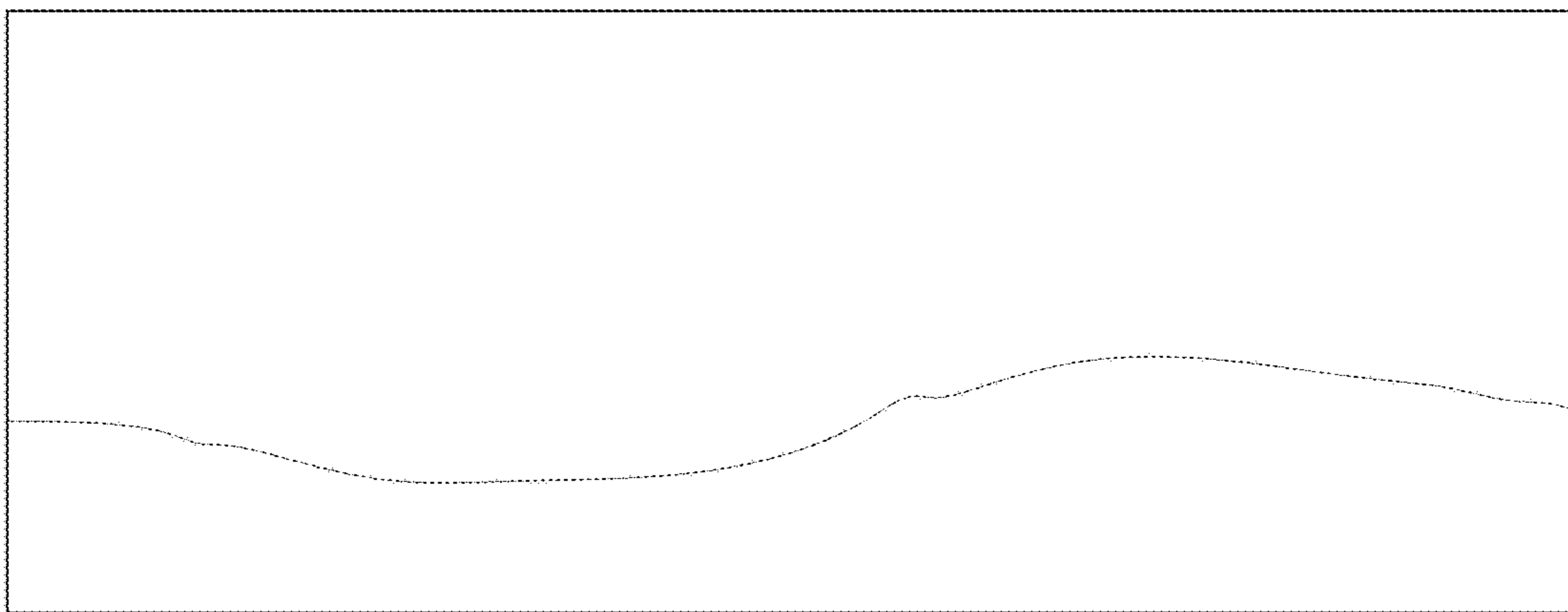


Fig. 6

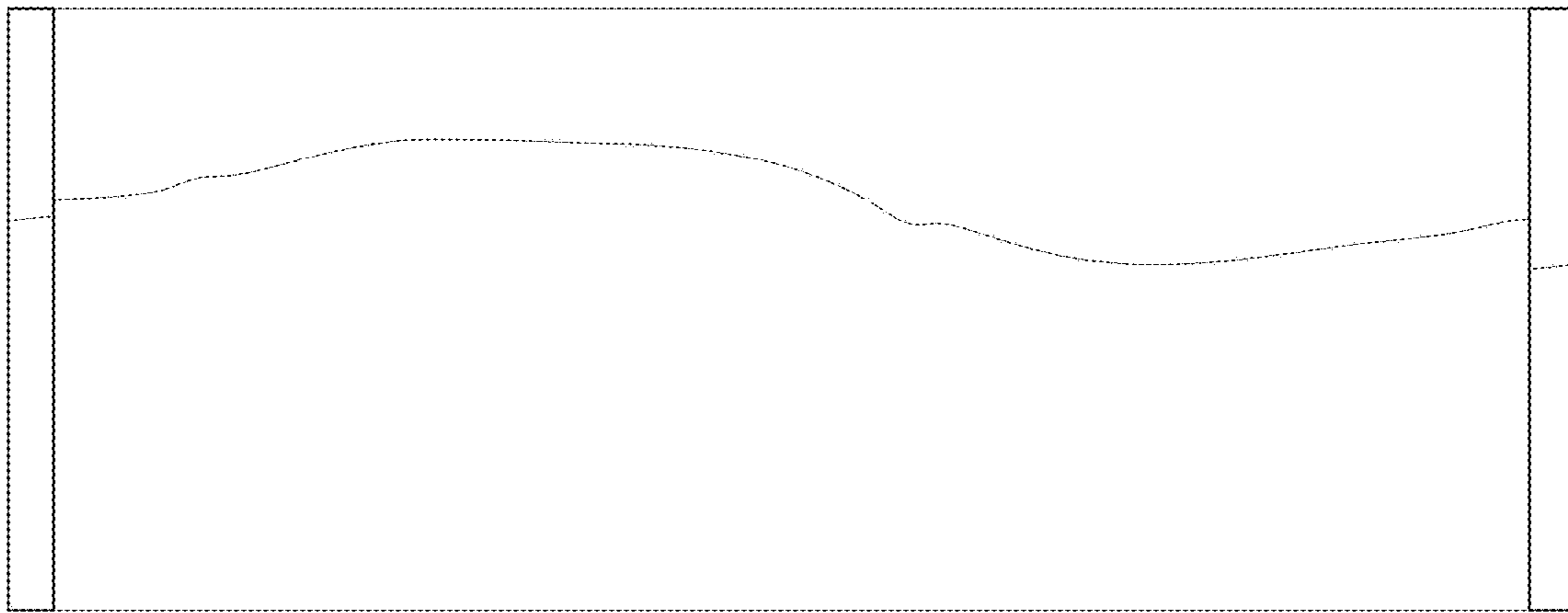


Fig. 7