



US00D792133S

(12) **United States Design Patent** (10) **Patent No.:** **US D792,133 S**
Schwalbach et al. (45) **Date of Patent:** **** Jul. 18, 2017**

(54) **DISPLAY STAND**
(71) Applicant: **Apple Inc.**, Cupertino, CA (US)
(72) Inventors: **Charles A. Schwalbach**, Menlo Park, CA (US); **Sheng Yang**, Mountain View, CA (US); **Russell John Kaaihue Heirakuji**, Cupertino, CA (US); **Carly Lynn Marasco**, Los Gatos, CA (US); **Michael Gorman**, Dublin, CA (US)

D250,801 S 1/1979 Bergen et al.
D268,743 S 4/1983 Lubin
D314,501 S 2/1991 Pagano
D367,408 S 2/1996 Fordyce
(Continued)

FOREIGN PATENT DOCUMENTS

JP D1430086 12/2011
KR 30-0337376 11/2003

OTHER PUBLICATIONS

“Freedom Series,” Takachiho Koheki Co., Ltd., cited in Office Action mailed Apr. 6, 2016, in Japanese Patent Application No. 2015-009263, Apple Inc., filed Apr. 24, 2015.

(Continued)

Primary Examiner — Kelley Donnelly
(74) *Attorney, Agent, or Firm* — Sterne, Kessler, Goldstein & Fox P.L.L.C.

(73) Assignee: **Apple Inc.**, Cupertino, CA (US)
(**) Term: **15 Years**
(21) Appl. No.: **29/588,391**
(22) Filed: **Dec. 20, 2016**

Related U.S. Application Data

(63) Continuation of application No. 29/564,382, filed on May 12, 2016, now Pat. No. Des. 777,482, which is a continuation of application No. 29/537,088, filed on Aug. 21, 2015, now Pat. No. Des. 756,152, which is a continuation of application No. 29/507,269, filed on Oct. 24, 2014, now Pat. No. Des. 737,081.

(51) **LOC (10) Cl.** **06-06**
(52) **U.S. Cl.**
USPC **D6/682.3**

(58) **Field of Classification Search**
USPC D6/672, 673, 512–513, 553, 682, 682.3;
D14/457; D8/354; D16/200–202, 203,
D16/208, 218, 219
CPC A47B 2097/005; A47B 2097/006; A47F
5/0081; A47F 5/04; A47F 5/12
See application file for complete search history.

(56) **References Cited**

U.S. PATENT DOCUMENTS

D214,768 S 7/1969 Hillis
D244,857 S 6/1977 Hayes

(57) **CLAIM**

The ornamental design for a display stand, as shown and described.

DESCRIPTION

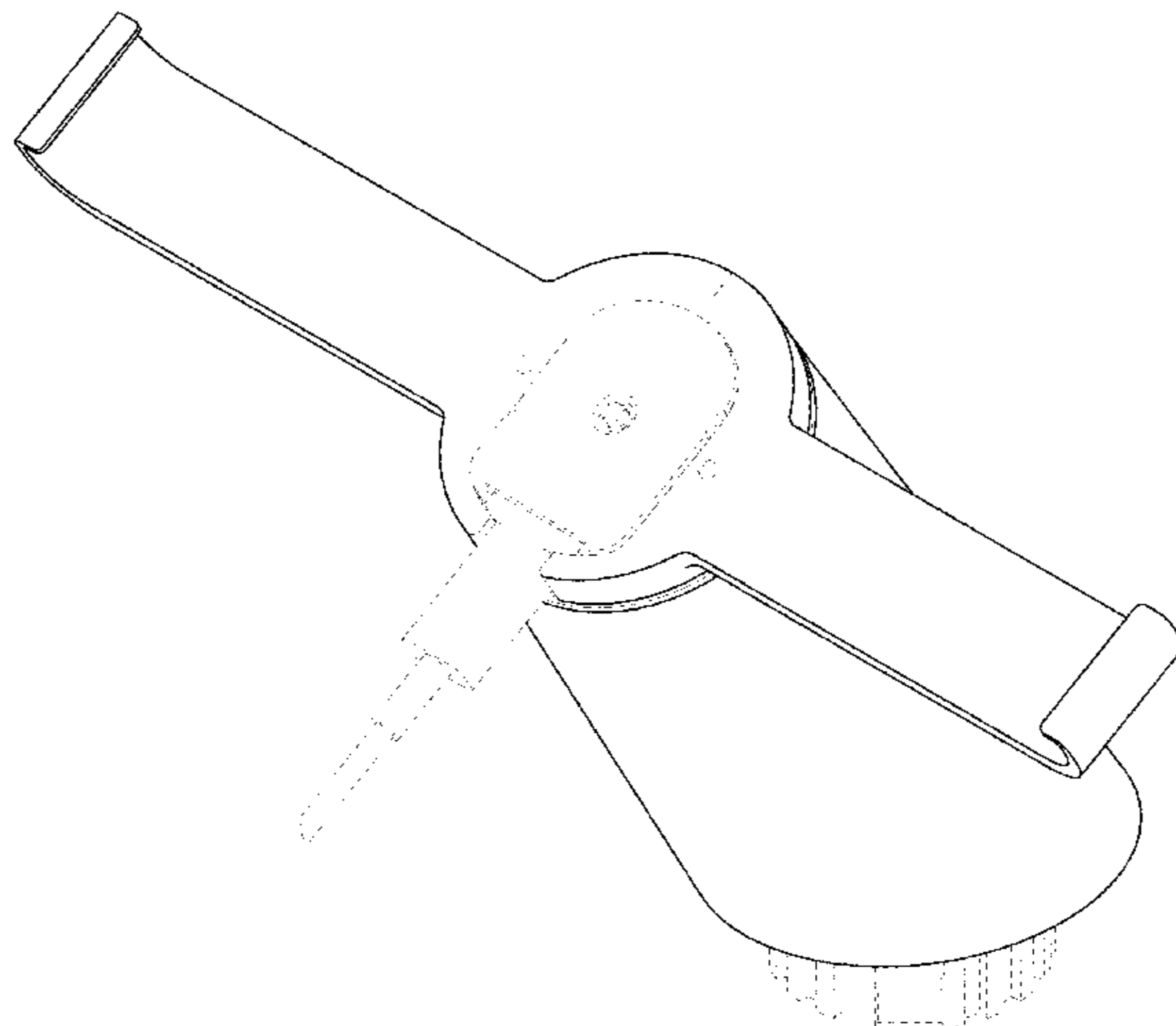
FIG. 1 is a top front perspective view of a display stand showing the claimed design;
FIG. 2 is a front view thereof;
FIG. 3 is a rear view thereof;
FIG. 4 is a left side view thereof;
FIG. 5 is a right side view thereof;
FIG. 6 is a top view thereof; and,
FIG. 7 is a bottom view thereof.

The dashed broken lines in the figures show portions of the display stand that form no part of the claimed design.

The dot-dash broken lines in the figures show boundaries that form no part of the claimed design.

The shade lines in the figures show contour and not surface ornamentation.

1 Claim, 7 Drawing Sheets



(56)

References Cited

U.S. PATENT DOCUMENTS

D393,959 S 5/1998 Geier et al.
 D407,408 S 3/1999 Hoff
 D446,043 S 8/2001 Stoppenhagen et al.
 6,476,717 B1 11/2002 Gross et al.
 D485,710 S 1/2004 Burkhart et al.
 D488,741 S 4/2004 Moya
 D490,559 S 5/2004 Small
 D510,358 S 10/2005 Ezure
 7,209,038 B1 4/2007 Deconinck et al.
 D542,279 S 5/2007 Chan
 D545,826 S 7/2007 Richter
 D589,962 S 4/2009 Maruyama et al.
 D590,184 S 4/2009 Barabas et al.
 D599,241 S 9/2009 Andre et al.
 D608,718 S 1/2010 Nas et al.
 D612,837 S 3/2010 Murray
 7,724,135 B2 5/2010 Rapp et al.
 D617,383 S 6/2010 Yoon
 7,740,214 B2 6/2010 Marsilio et al.
 7,748,669 B2 7/2010 Lu et al.
 D628,203 S 11/2010 Noble
 D629,405 S 12/2010 Crysell
 D641,610 S 7/2011 Sedalo
 D645,047 S 9/2011 Wike
 8,020,816 B2 9/2011 Laitila et al.
 D647,726 S * 11/2011 Strauch D6/677
 D652,422 S 1/2012 Cheng
 8,087,625 B2 1/2012 Chang
 8,145,821 B2 3/2012 Mead et al.
 D663,972 S 7/2012 Alexander et al.
 D673,960 S 1/2013 Lindfield et al.
 D681,974 S * 5/2013 Naples D6/677
 D682,814 S 5/2013 Kadivar et al.
 D685,253 S 7/2013 Hiebert
 D687,440 S 8/2013 Shieh

D695,714 S 12/2013 Lee
 D696,259 S 12/2013 Howarth et al.
 D696,674 S 12/2013 Vogel
 D703,657 S 4/2014 Carnevali
 D704,199 S 5/2014 Byun
 D709,066 S 7/2014 Byun
 D709,357 S 7/2014 Bell
 D709,607 S 7/2014 Wang
 D720,752 S 1/2015 Bleads
 D728,576 S * 5/2015 David D14/434
 D729,043 S 5/2015 Poppell
 D731,496 S 6/2015 Voorhees
 D733,967 S 7/2015 Schlatter
 D734,746 S 7/2015 Vogel
 D735,162 S 7/2015 Allen
 D737,081 S * 8/2015 Schwalbach D6/682.3
 D741,093 S 10/2015 McKinney et al.
 D743,941 S 11/2015 Patsis
 D744,621 S 12/2015 Shavatt et al.
 D756,152 S * 5/2016 Schwalbach D6/677.4
 D763,263 S * 8/2016 Wierenga D14/434
 D775,874 S * 1/2017 Huang D6/677.4
 2006/0198692 A1 9/2006 Petit
 2009/0218240 A1 9/2009 Allen et al.
 2011/0047844 A1 3/2011 Fawcett et al.
 2011/0068919 A1 3/2011 Rapp et al.
 2011/0084838 A1 4/2011 Fawcett
 2011/0187531 A1 8/2011 Oehl et al.
 2012/0188082 A1 7/2012 Berglund et al.
 2012/0280810 A1 11/2012 Wheeler
 2014/0106608 A1 4/2014 Howarth et al.
 2015/0021458 A1 1/2015 Zorovich et al.

OTHER PUBLICATIONS

U.S. Appl. No. 29/470,931, filed Oct. 25, 2013; Howarth et al.

* cited by examiner

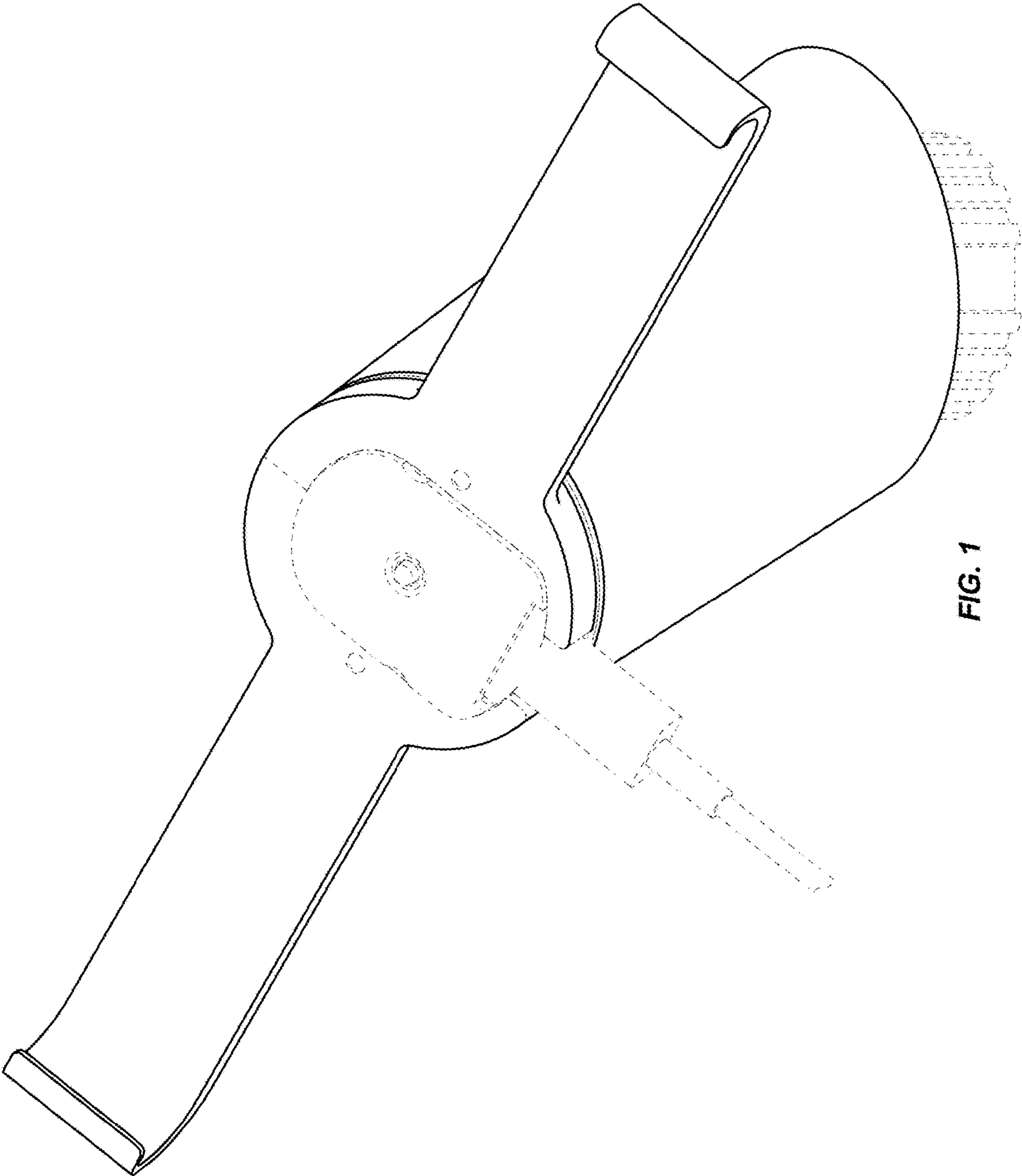


FIG. 1

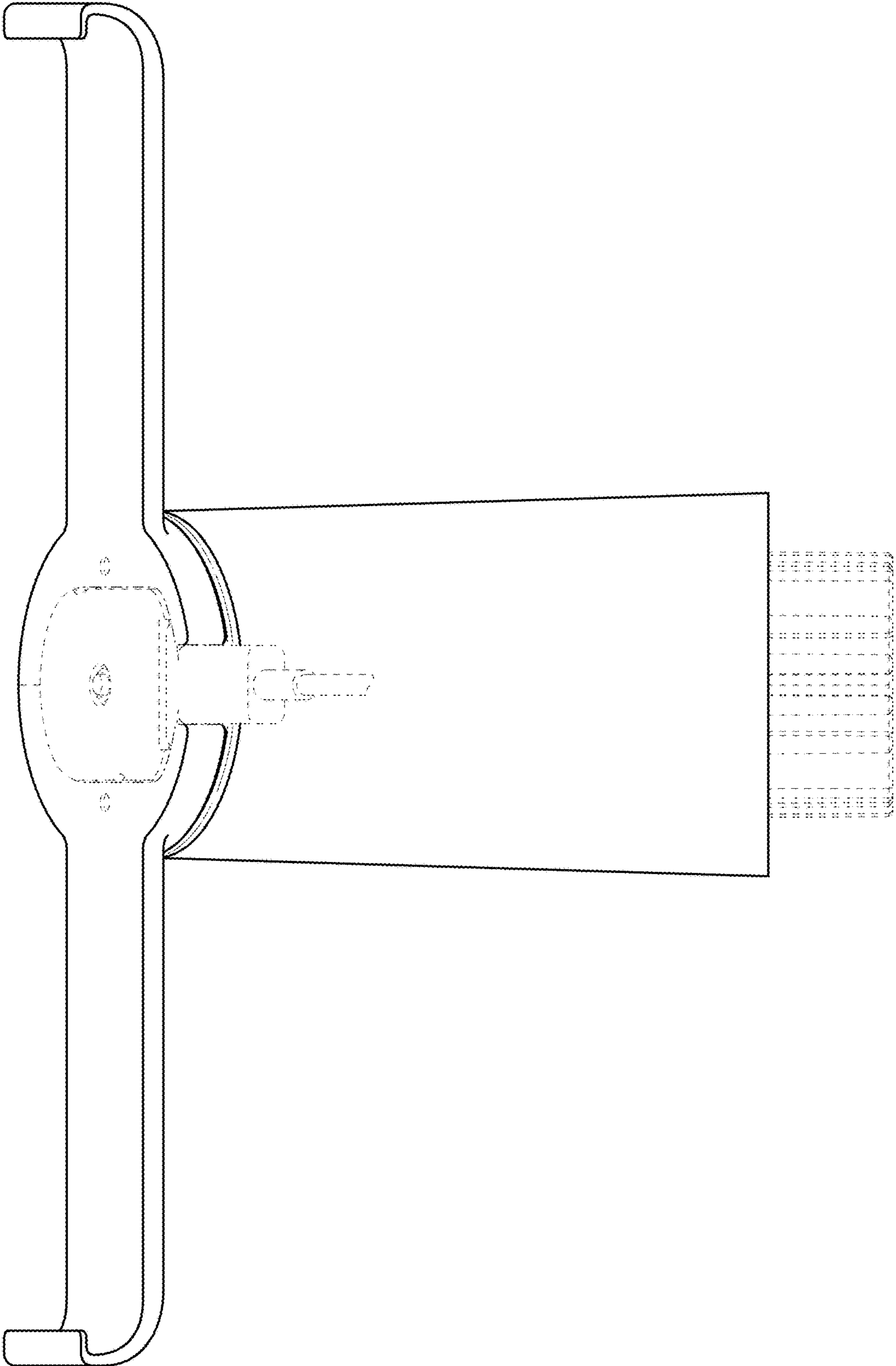


FIG. 2

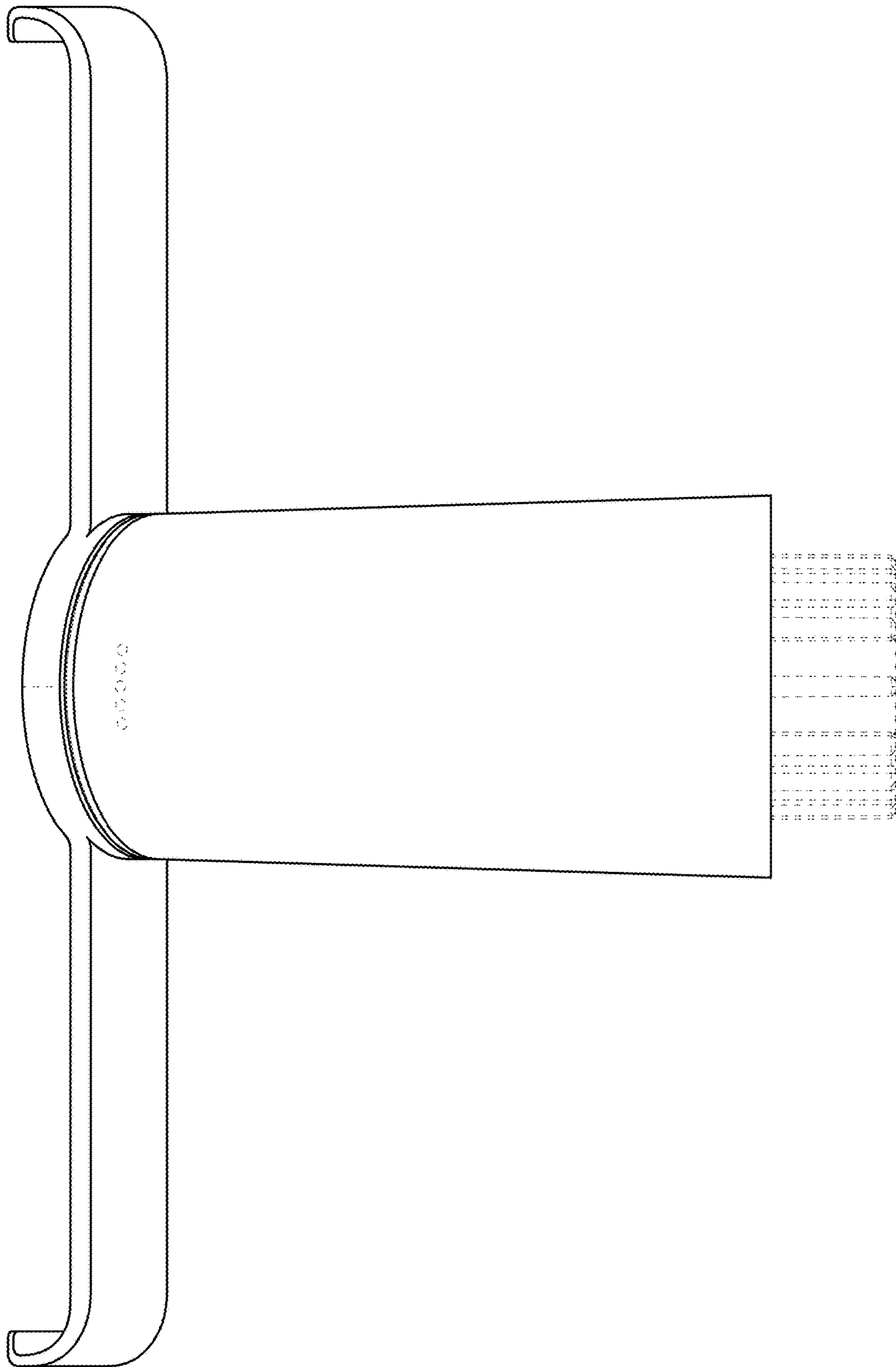


FIG. 3

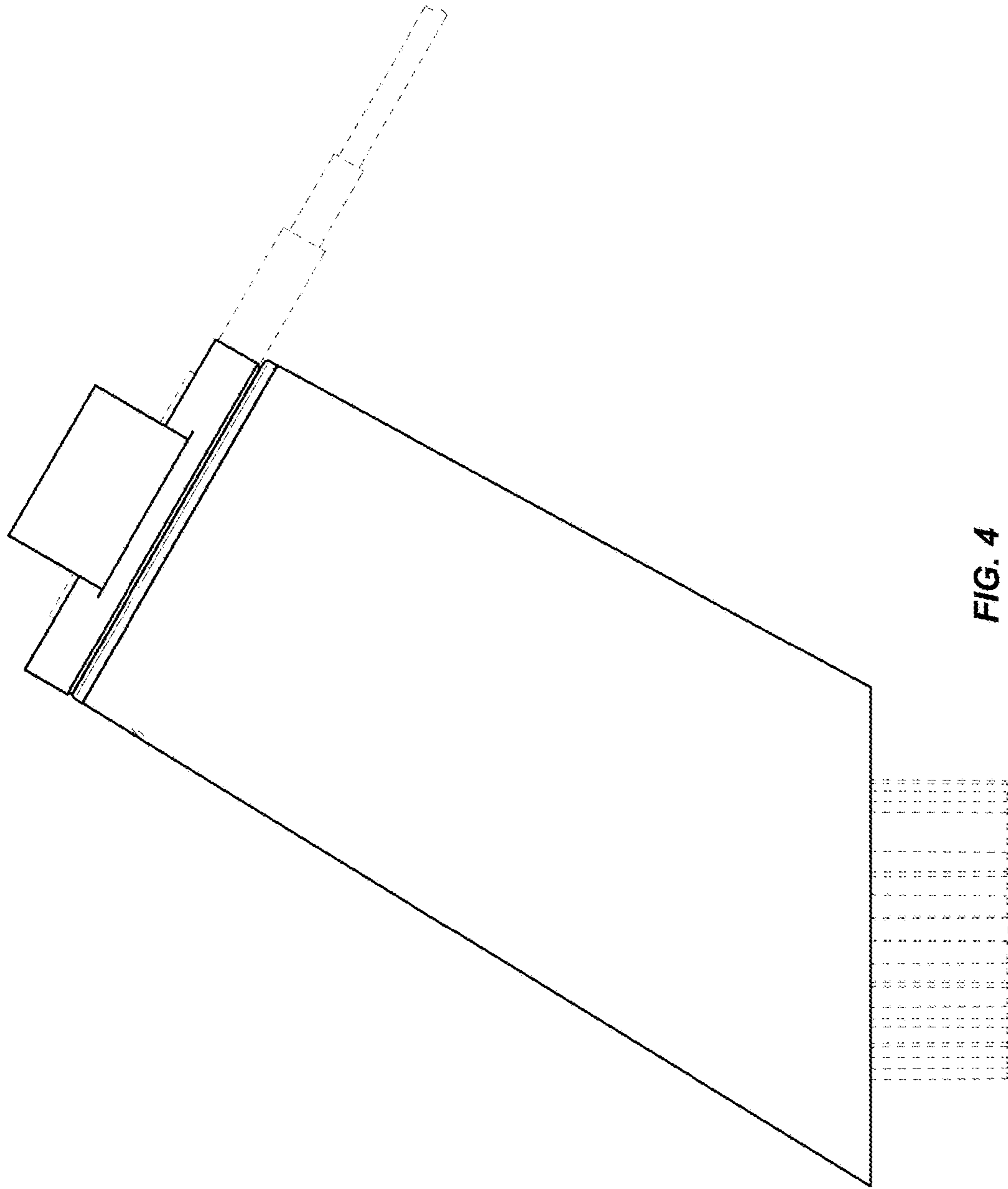


FIG. 4

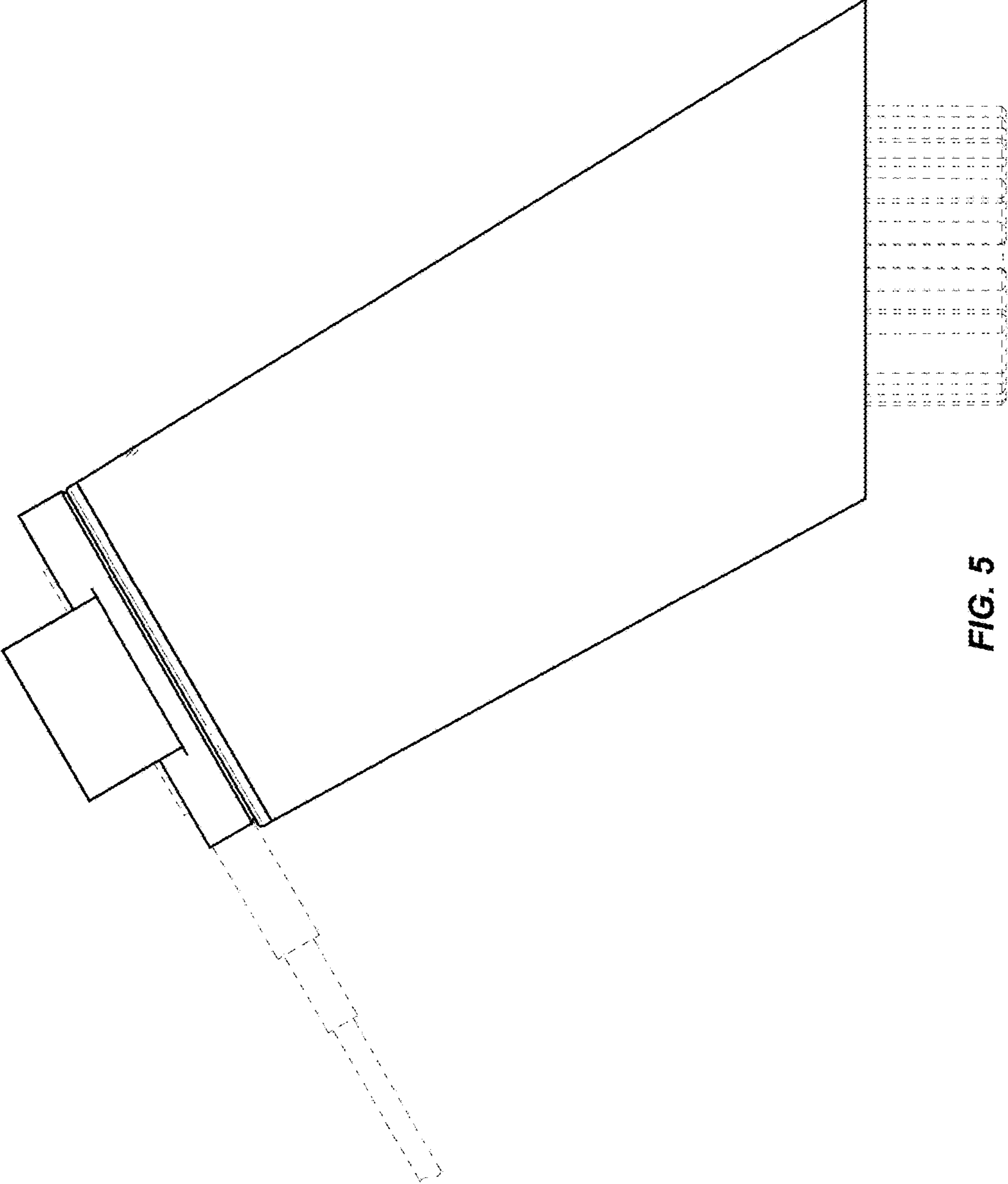
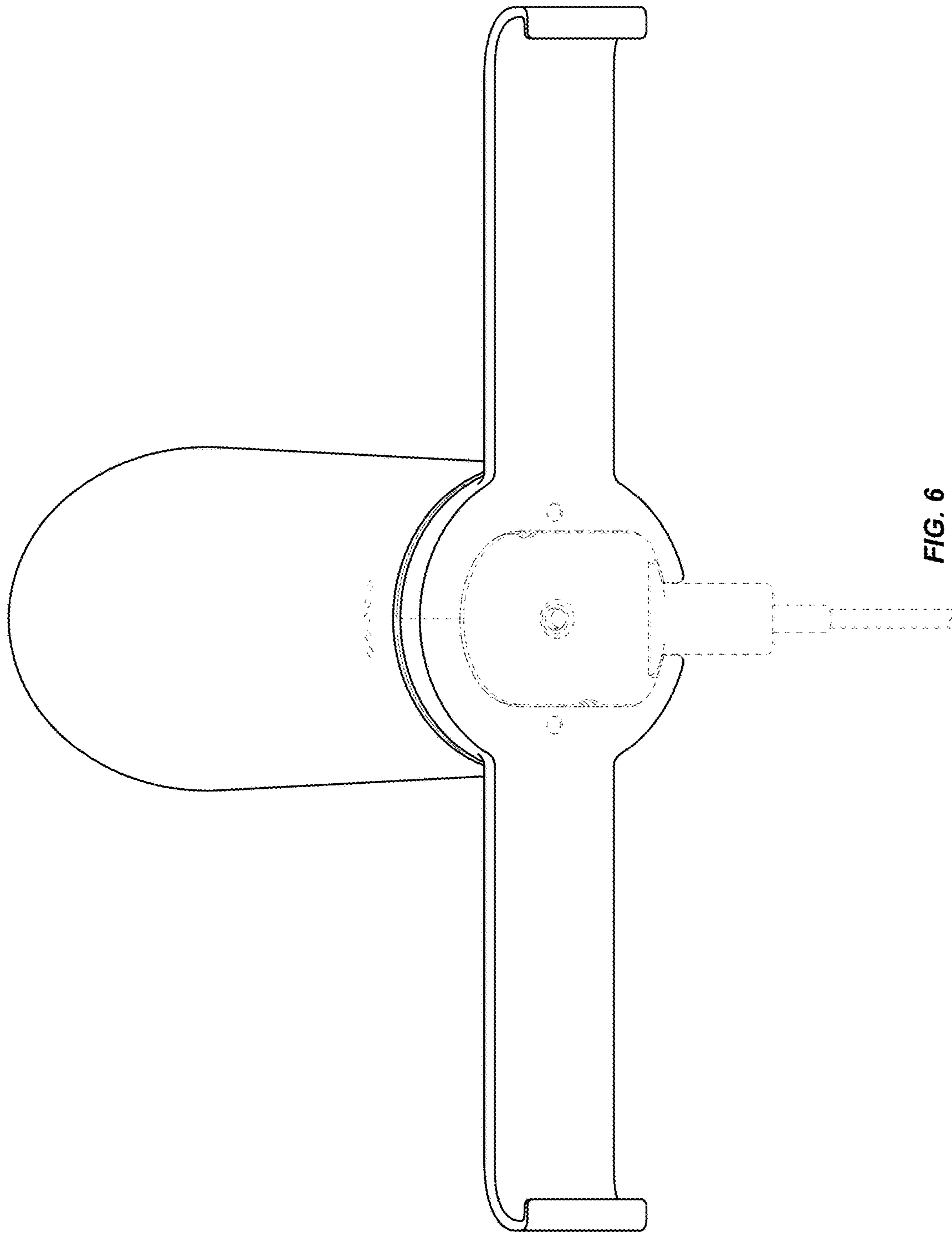


FIG. 5



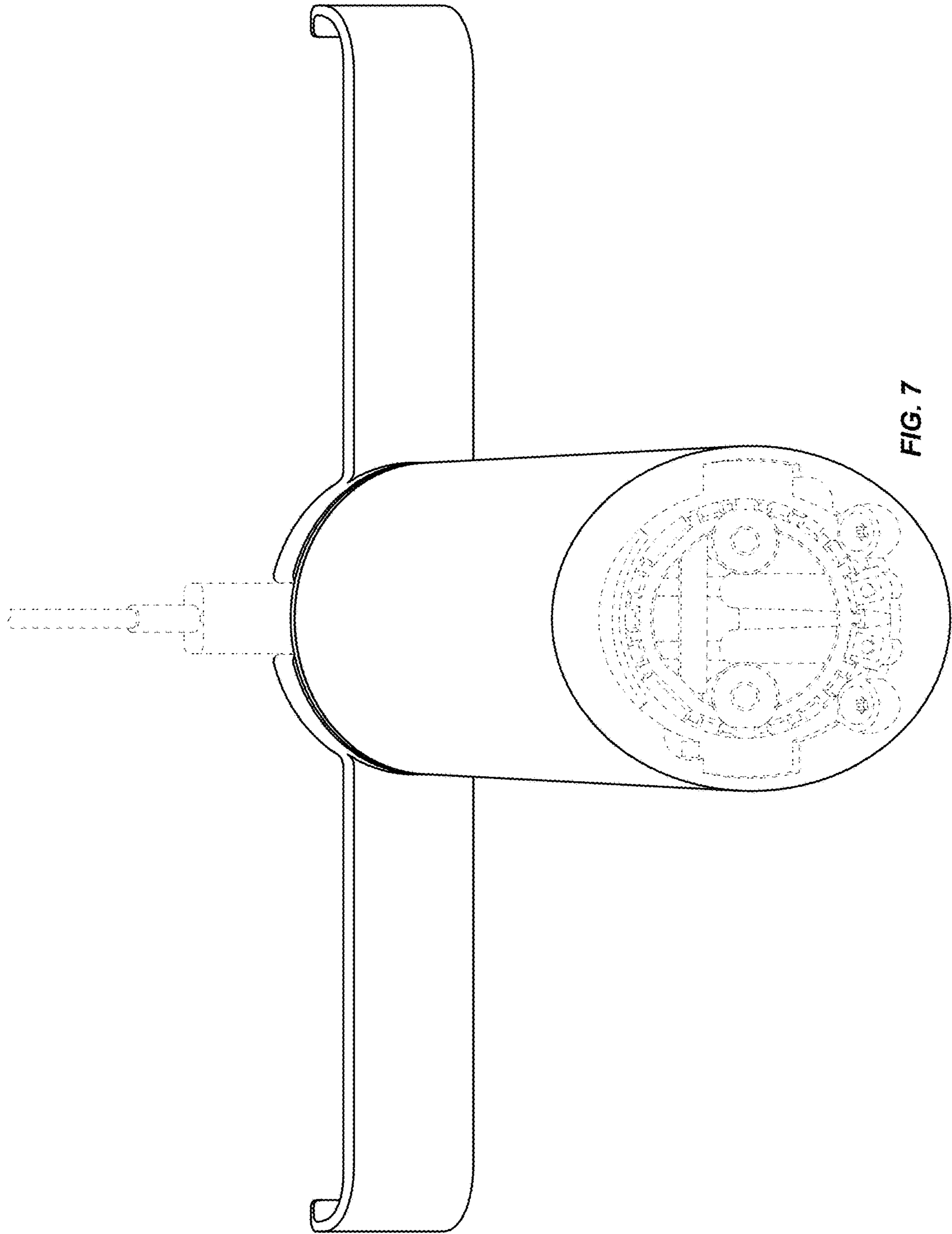


FIG. 7