



US00D792130S

(12) **United States Design Patent**
Poranen

(10) **Patent No.:** **US D792,130 S**

(45) **Date of Patent:** **** Jul. 18, 2017**

(54) **WORKSTATION**

(71) Applicant: **Taneli Poranen**, Savijoki (FI)

(72) Inventor: **Taneli Poranen**, Savijoki (FI)

(73) Assignee: **Taneli Poranen**, Savijoki (FI)

(**) Term: **15 Years**

(21) Appl. No.: **29/555,719**

(22) Filed: **Feb. 24, 2016**

(51) **LOC (10) Cl.** **06-03**

(52) **U.S. Cl.**
USPC **D6/643**

(58) **Field of Classification Search**
USPC D6/641, 643, 648, 650, 656, 699
CPC .. A47B 1/00; A47B 7/00; A47B 17/00; A47B
21/00; A47B 21/04
See application file for complete search history.

(56) **References Cited**

U.S. PATENT DOCUMENTS

D147,386 S * 8/1947 Thomas D25/16
D408,171 S * 4/1999 Belka D6/643

D469,968 S * 2/2003 Van Den Reek D6/370
D538,060 S * 3/2007 Golino D6/643
D552,380 S * 10/2007 Lowsky D6/699
D562,029 S * 2/2008 Chang D6/648.2
D659,428 S * 5/2012 Nicolas D6/644
D677,477 S * 3/2013 Agati D6/336
D718,965 S * 12/2014 Morrow D6/699.1
D761,576 S * 7/2016 Agati D6/338
D764,845 S * 8/2016 Tsuchiyama D6/699

* cited by examiner

Primary Examiner — Rosemary K Tarcza

Assistant Examiner — Alison Ofstun

(57) **CLAIM**

The ornamental design for a workstation, as shown.

DESCRIPTION

FIG. 1 is a perspective front view of the workstation;
FIG. 2 is a perspective rear view thereof;
FIG. 3 is a right side view thereof;
FIG. 4 is a left side view thereof;
FIG. 5 is a top view thereof;
FIG. 6 is a bottom view thereof;
FIG. 7 is a front view thereof; and,
FIG. 8 is a rear view thereof.

1 Claim, 8 Drawing Sheets

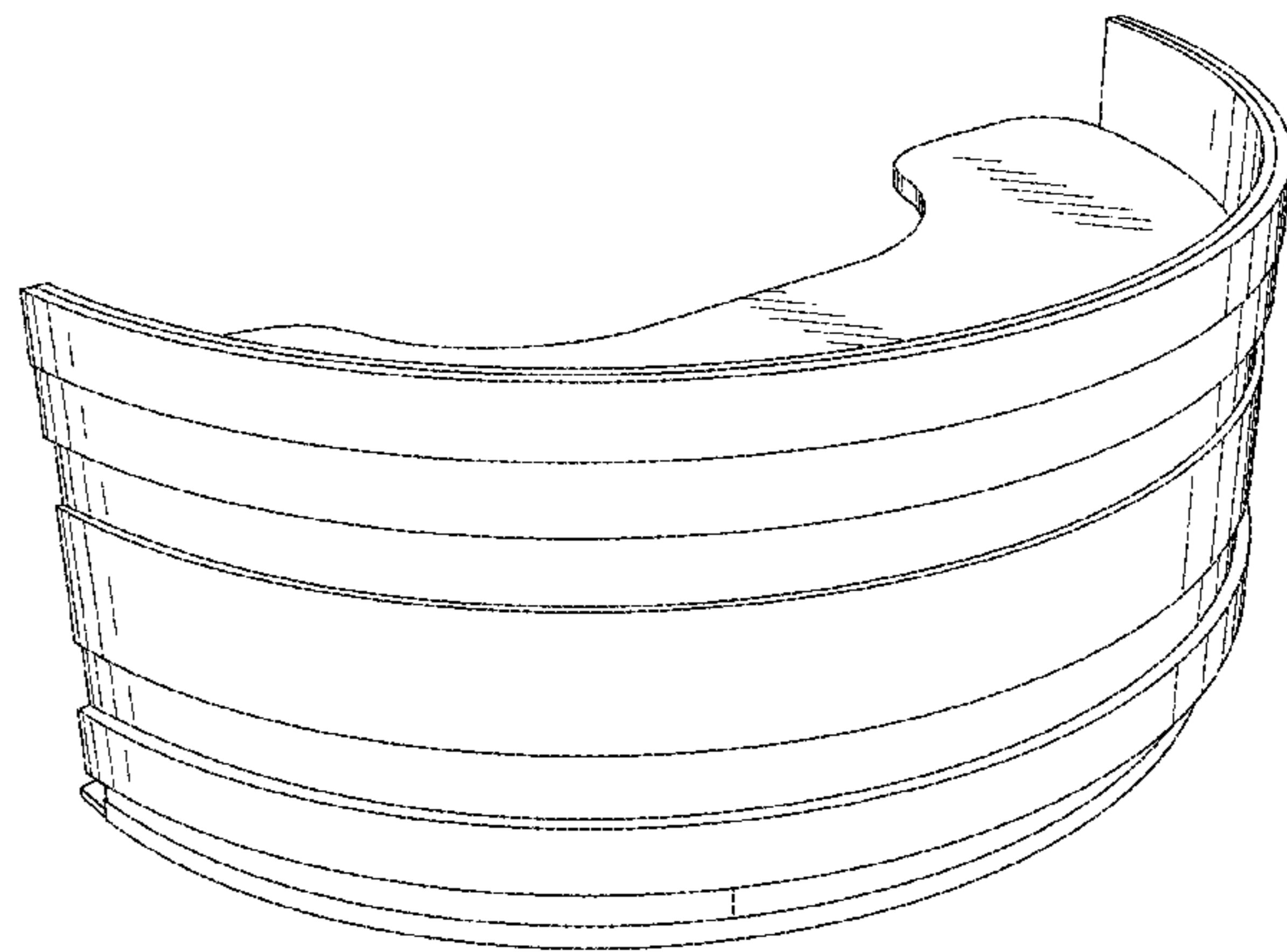
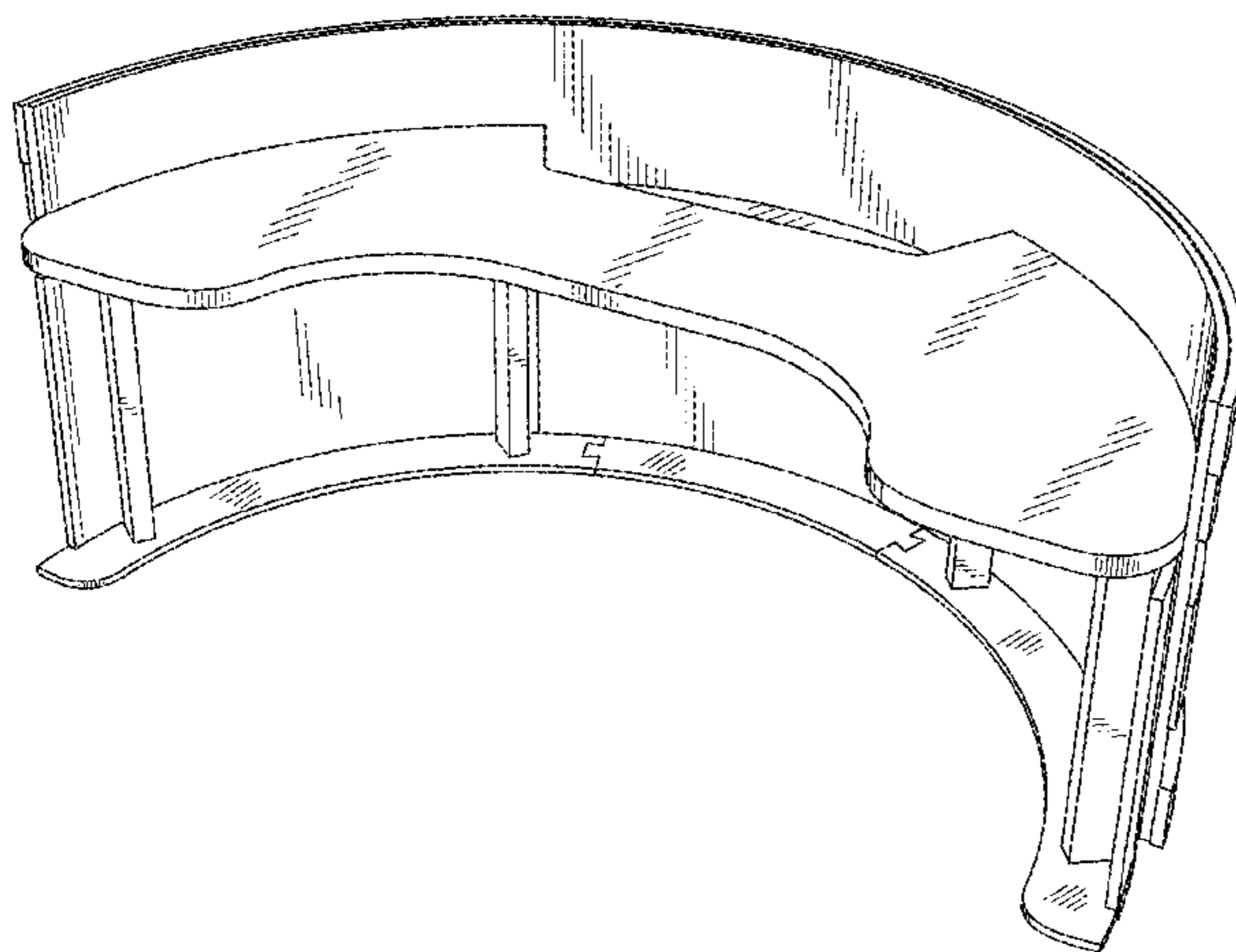


Fig. 1

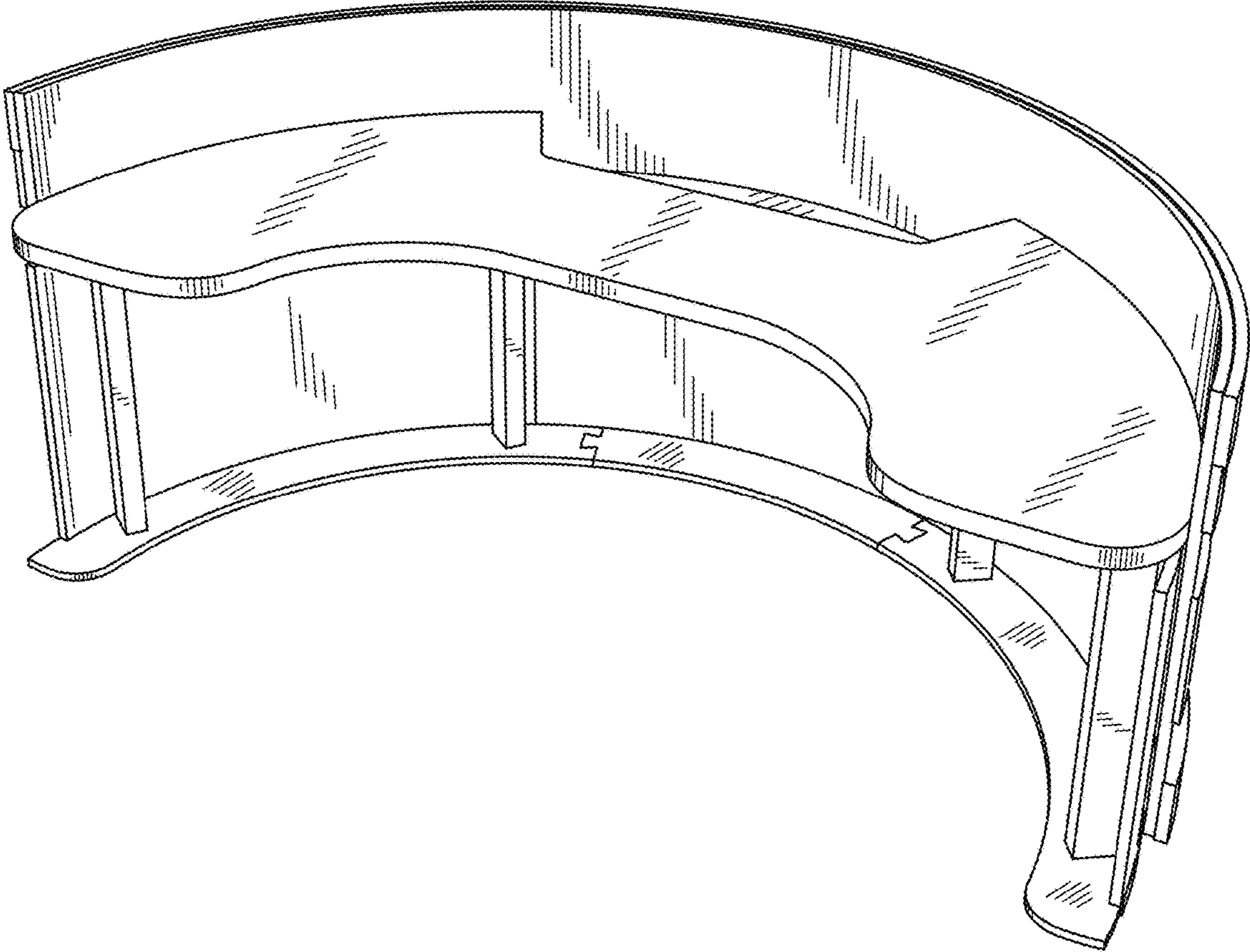


Fig. 2

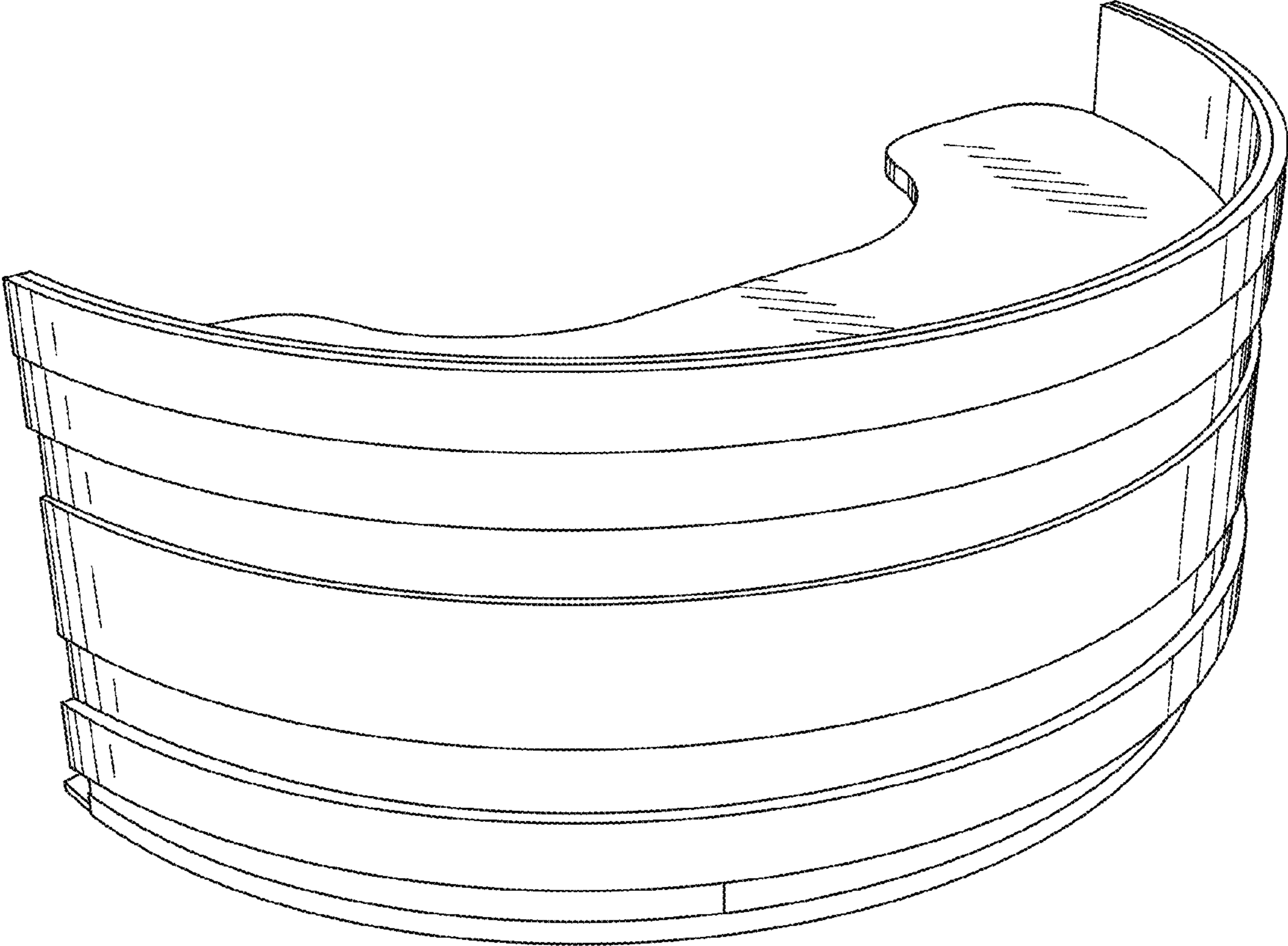


Fig. 3

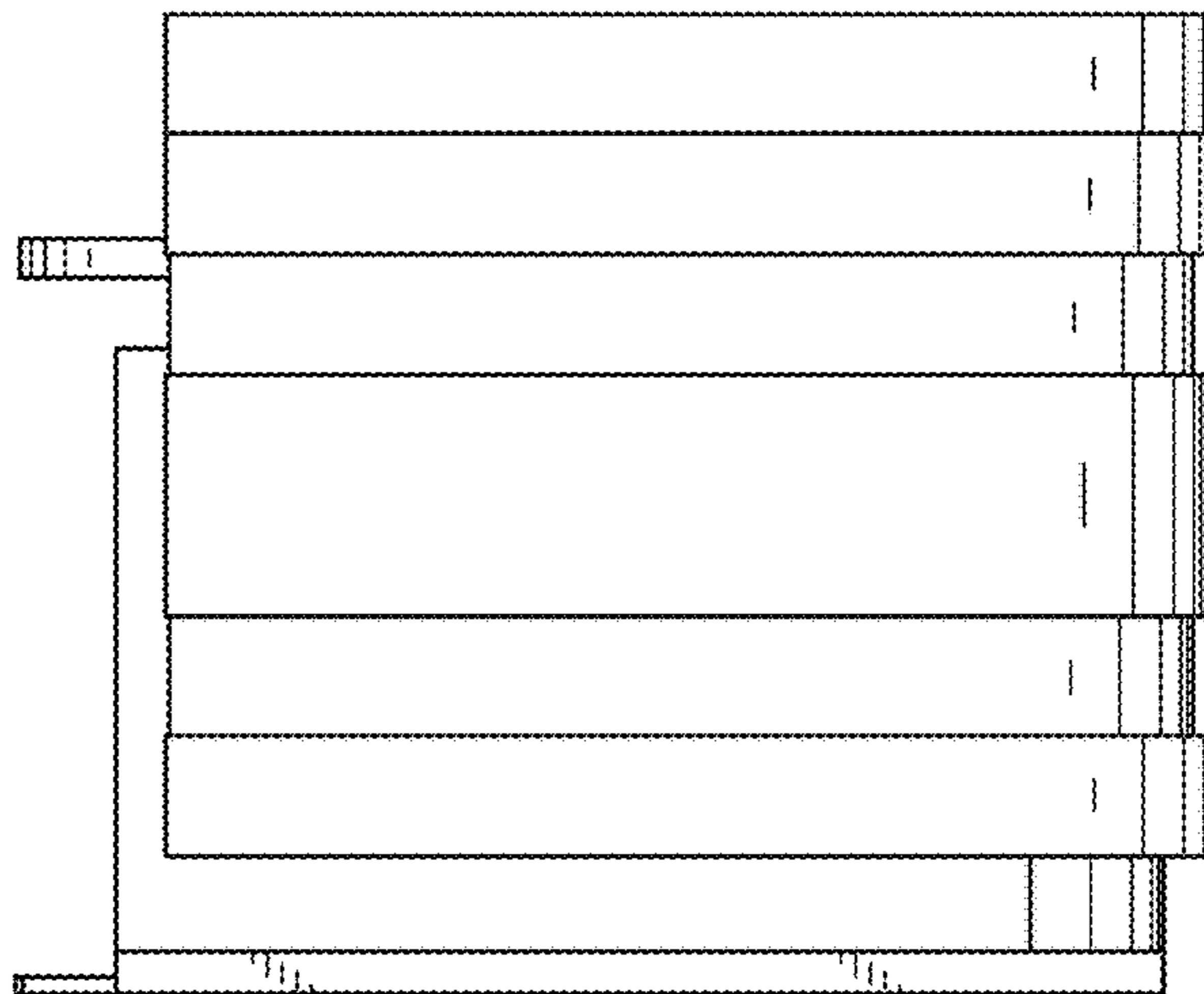


Fig. 4

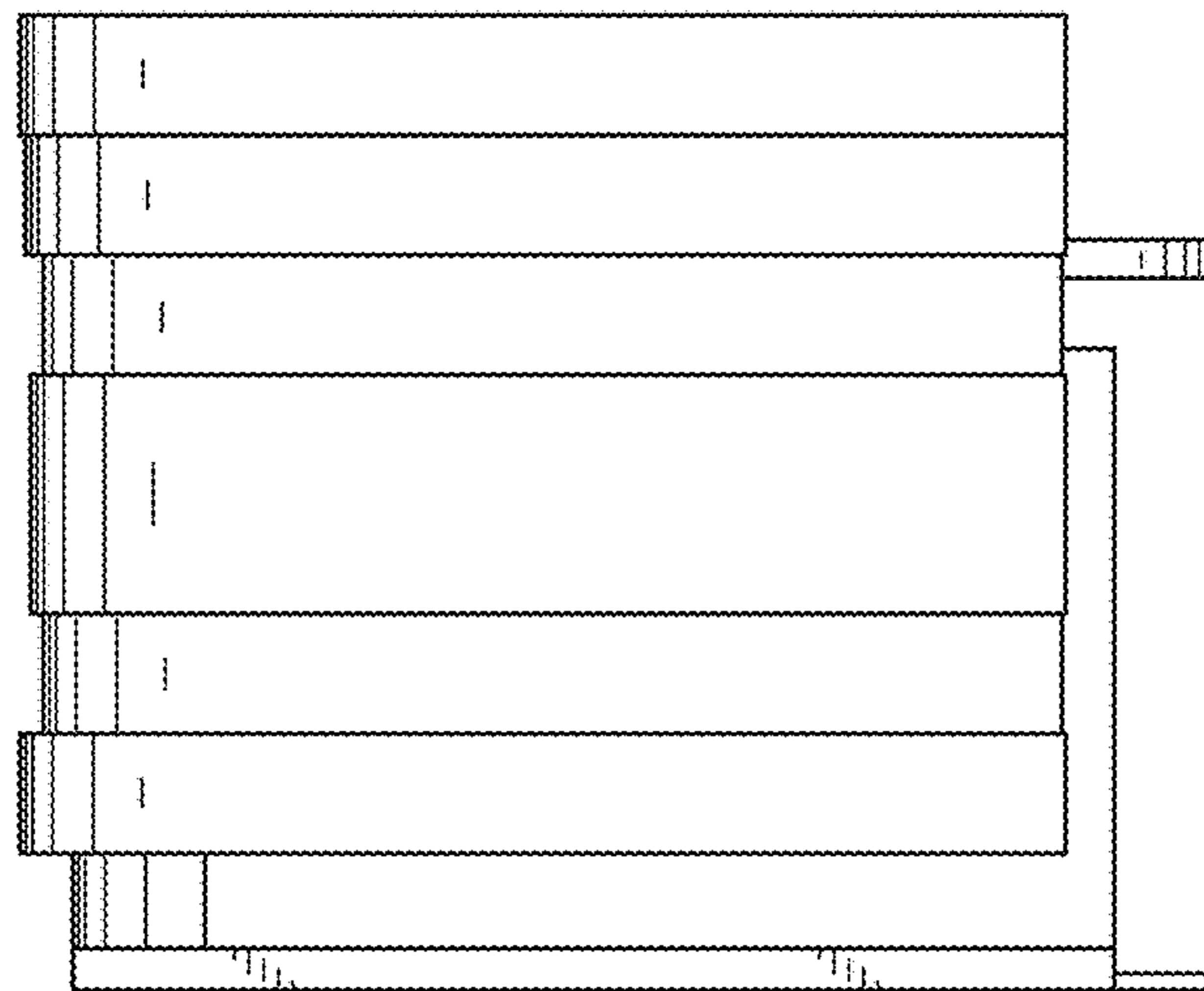


Fig. 5

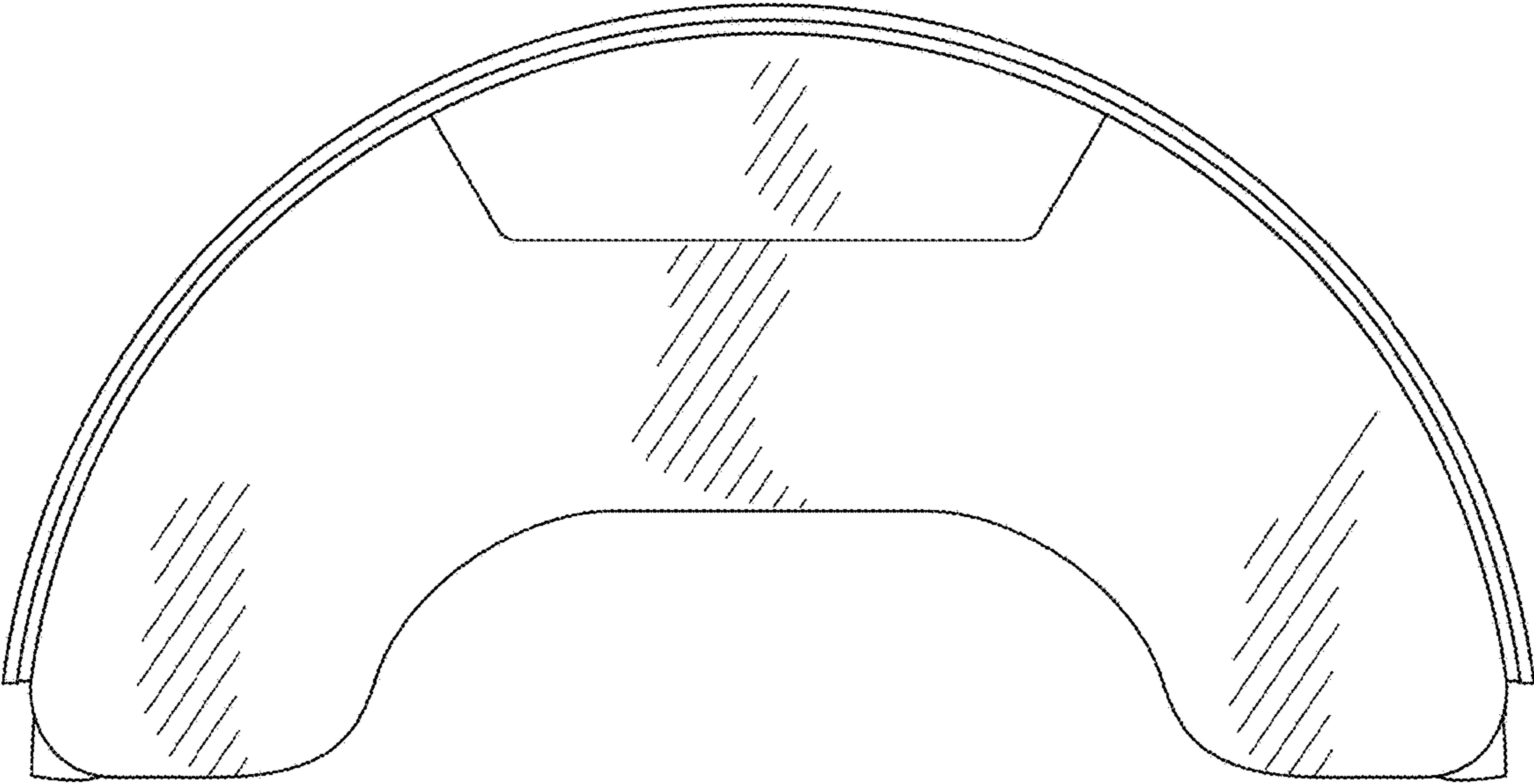


Fig. 6

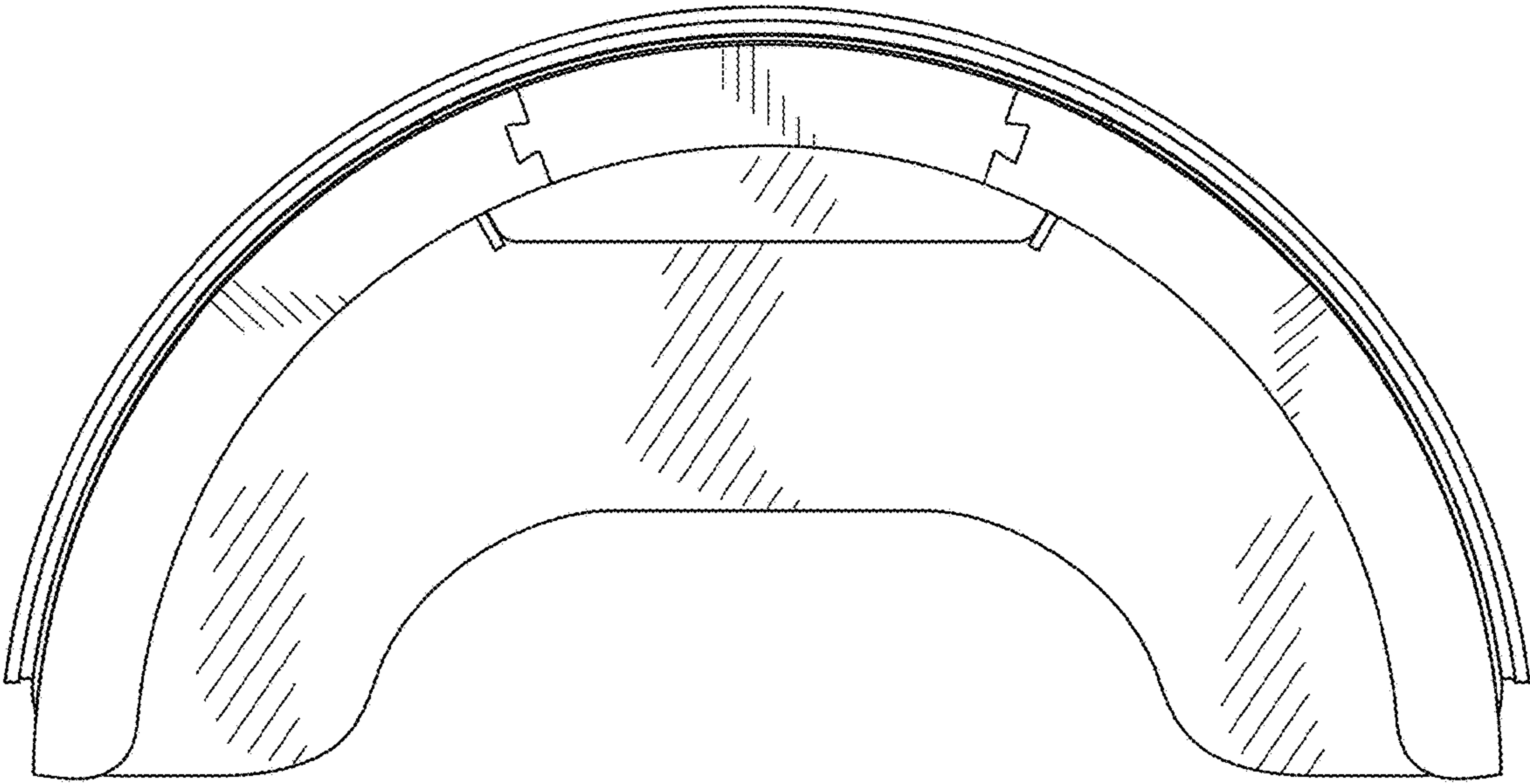


Fig. 7

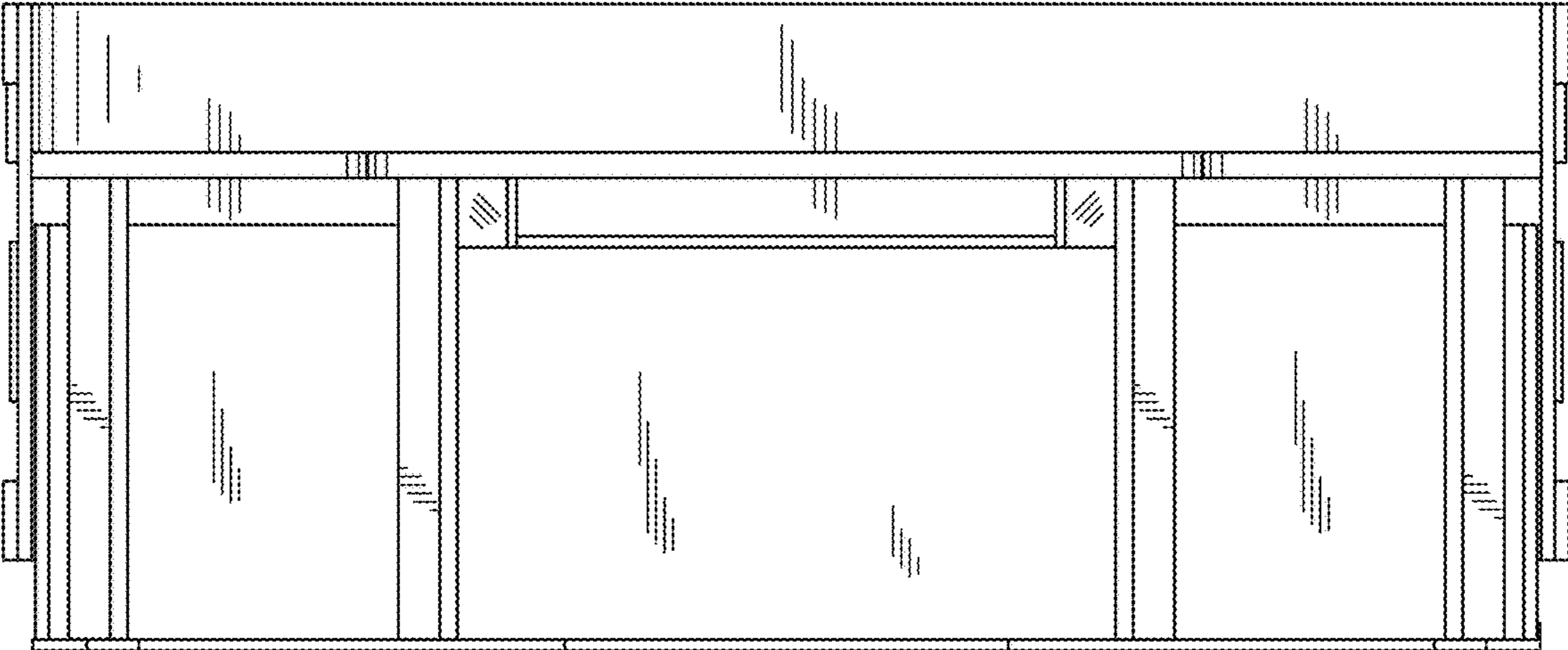


Fig. 8

