



US00D792127S

(12) **United States Design Patent**
Roberts et al.

(10) **Patent No.:** **US D792,127 S**
(45) **Date of Patent:** **** Jul. 18, 2017**

- (54) **MULTI-LAP SUPPORT FOUNDATION**
- (71) Applicants: **Thomas A. Roberts**, Dandridge, TN (US); **Shawn M. Parella**, Morristown, TN (US)
- (72) Inventors: **Thomas A. Roberts**, Dandridge, TN (US); **Shawn M. Parella**, Morristown, TN (US)
- (73) Assignee: **Oddello Industries, LLC**, Morristown, TN (US)

8,490,228 B2 * 7/2013 Blyskal A47C 19/005
5/285
8,499,956 B2 * 8/2013 Westrate B65D 5/3621
220/500
8,607,380 B2 * 12/2013 Chang A47C 19/005
5/114
9,080,304 B1 * 7/2015 Roberts A47C 19/005
2004/0226490 A1 * 11/2004 Polumbaum B65D 19/0093
108/56.1
2008/0047473 A1 * 2/2008 Ferguson B65D 19/0026
108/56.1

(**) Term: **14 Years**

(21) Appl. No.: **29/490,132**

(22) Filed: **May 7, 2014**

(51) **LOC (10) Cl.** **06-06**

(52) **U.S. Cl.**
USPC **D6/606**

(58) **Field of Classification Search**
USPC D6/595, 596, 606, 382, 392, 395;
D34/38; D9/756, 758, 759
CPC E02D 27/32; B65D 2519/00323; B65D
2519/00398; B65D 2519/00402; B65D
2519/00502; B65D 2519/00587; B65D
2519/00592; B65D 2519/00646
See application file for complete search history.

(56) **References Cited**

U.S. PATENT DOCUMENTS

2,063,720 A * 12/1936 Blau B65D 85/327
229/120.31
3,736,605 A * 6/1973 Klein, Jr. A47C 4/021
5/401
4,970,743 A * 11/1990 Wride A47C 27/085
5/201
5,953,775 A * 9/1999 Mauro A47C 19/005
5/201
6,155,181 A * 12/2000 Chilcutt B65D 19/0012
108/51.3

* cited by examiner

Primary Examiner — Susan E Krakower

Assistant Examiner — Lisa A Grabenstetter

(74) *Attorney, Agent, or Firm* — Shaddock Law Group, PC

(57) **CLAIM**

The ornamental design for a multi-lap support foundation, substantially as shown and described.

DESCRIPTION

FIG. 1 is a top isometric view of a multi-lap supported foundation, showing my new design. The broken lines showing corner connectors in FIG. 1 depict environmental structure and form no part of the claimed design.

FIG. 2 is a top isometric perspective view thereof;

FIG. 3 is a top perspective view thereof;

FIG. 4 is a bottom perspective view thereof;

FIG. 5 is a front view thereof;

FIG. 6 is a rear view thereof;

FIG. 7 is a right side view thereof;

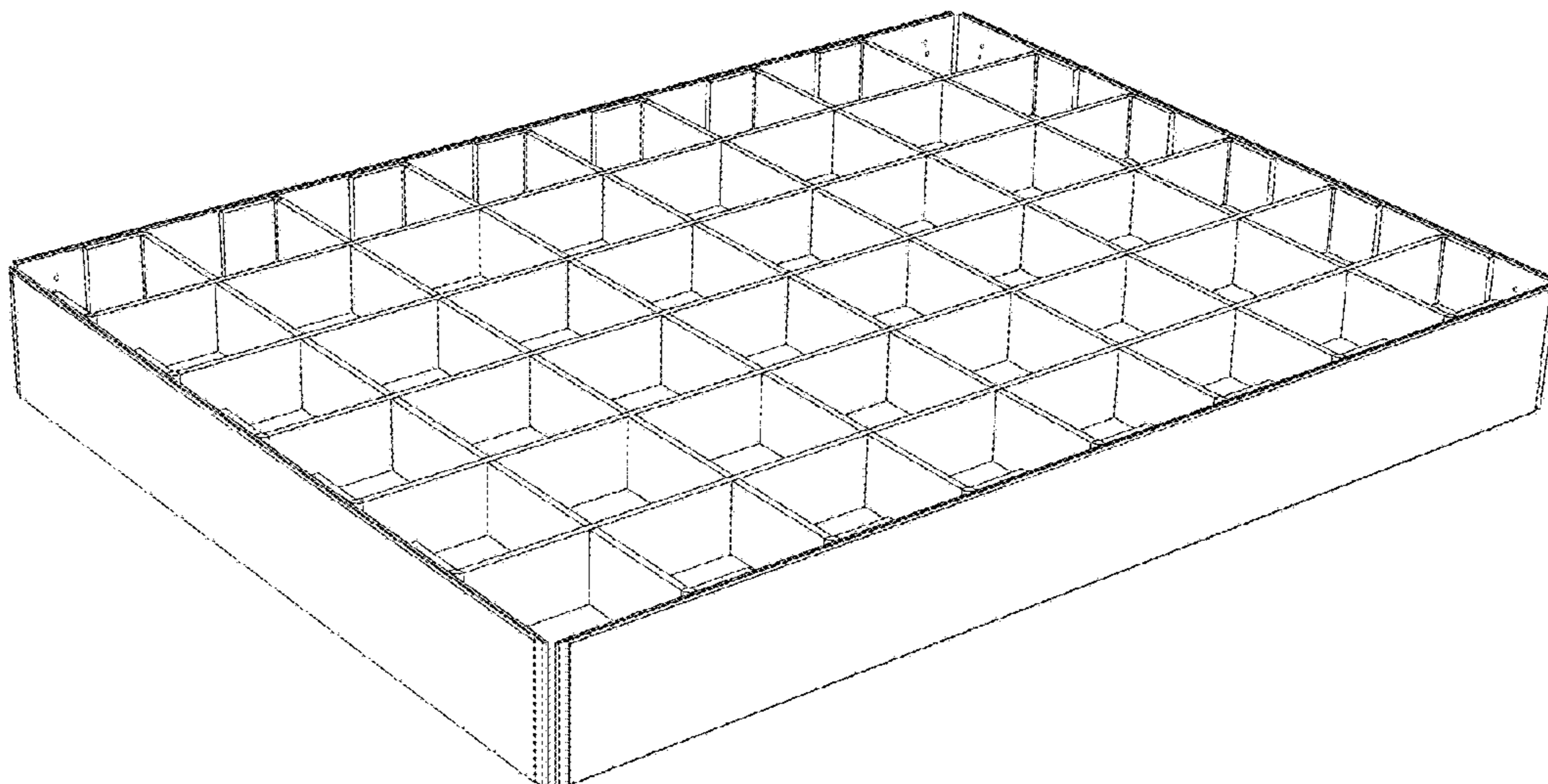
FIG. 8 is a left side view thereof;

FIG. 9 is a top view thereof; and,

FIG. 10 is a bottom view thereof.

The broken lines shown throughout the various figures depict additional structures that form no part of the claimed design.

1 Claim, 6 Drawing Sheets



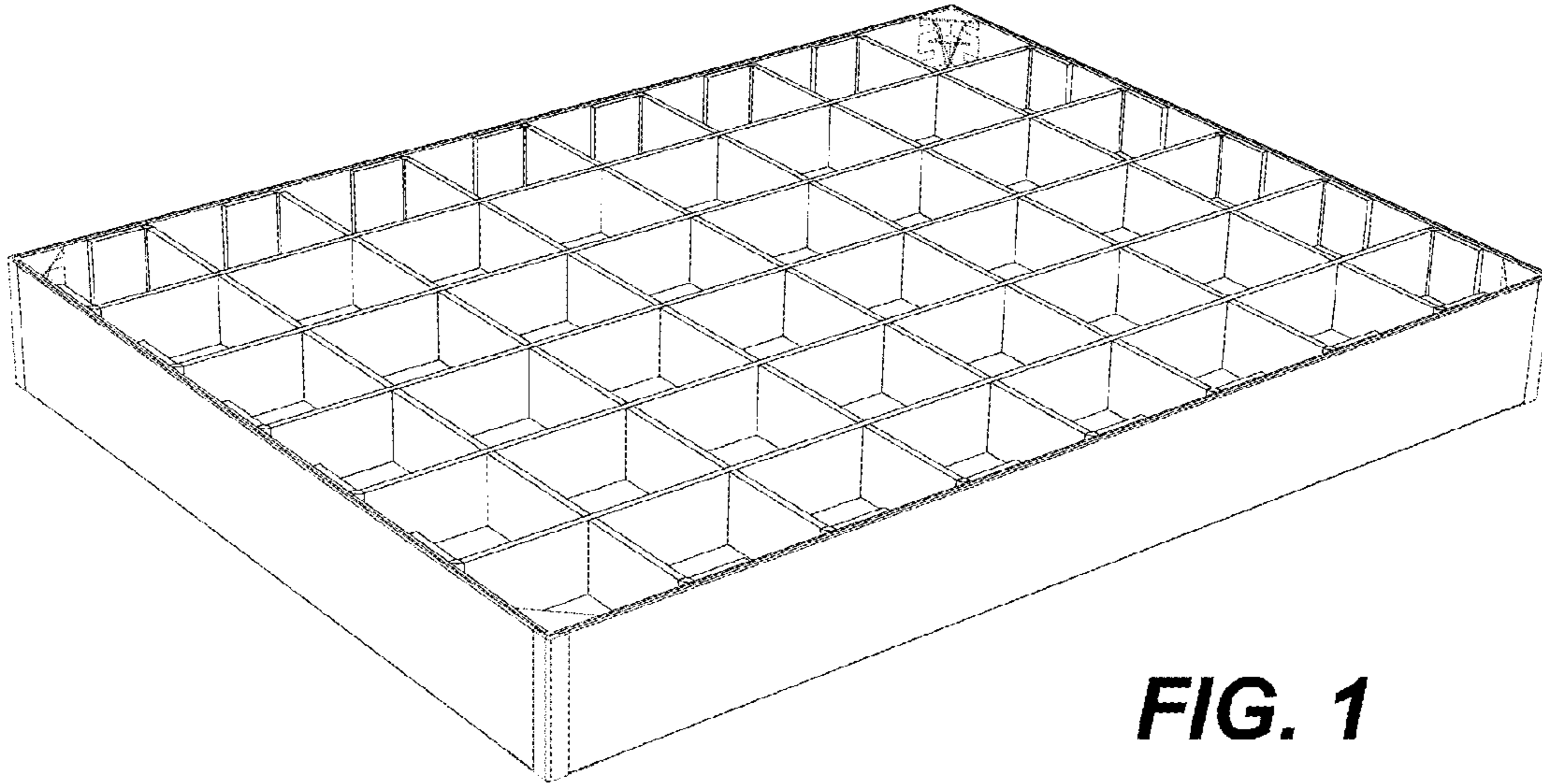


FIG. 1

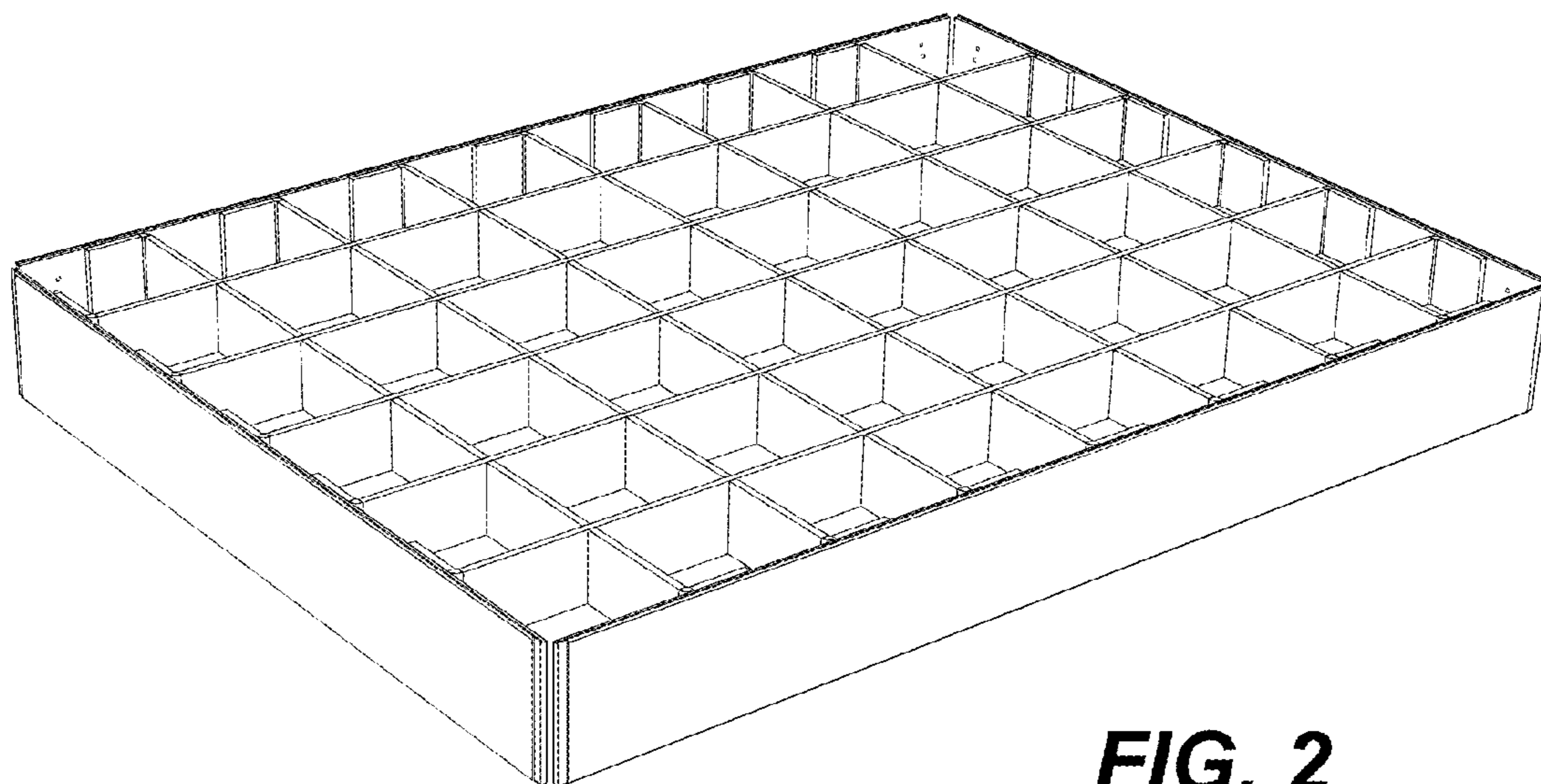


FIG. 2

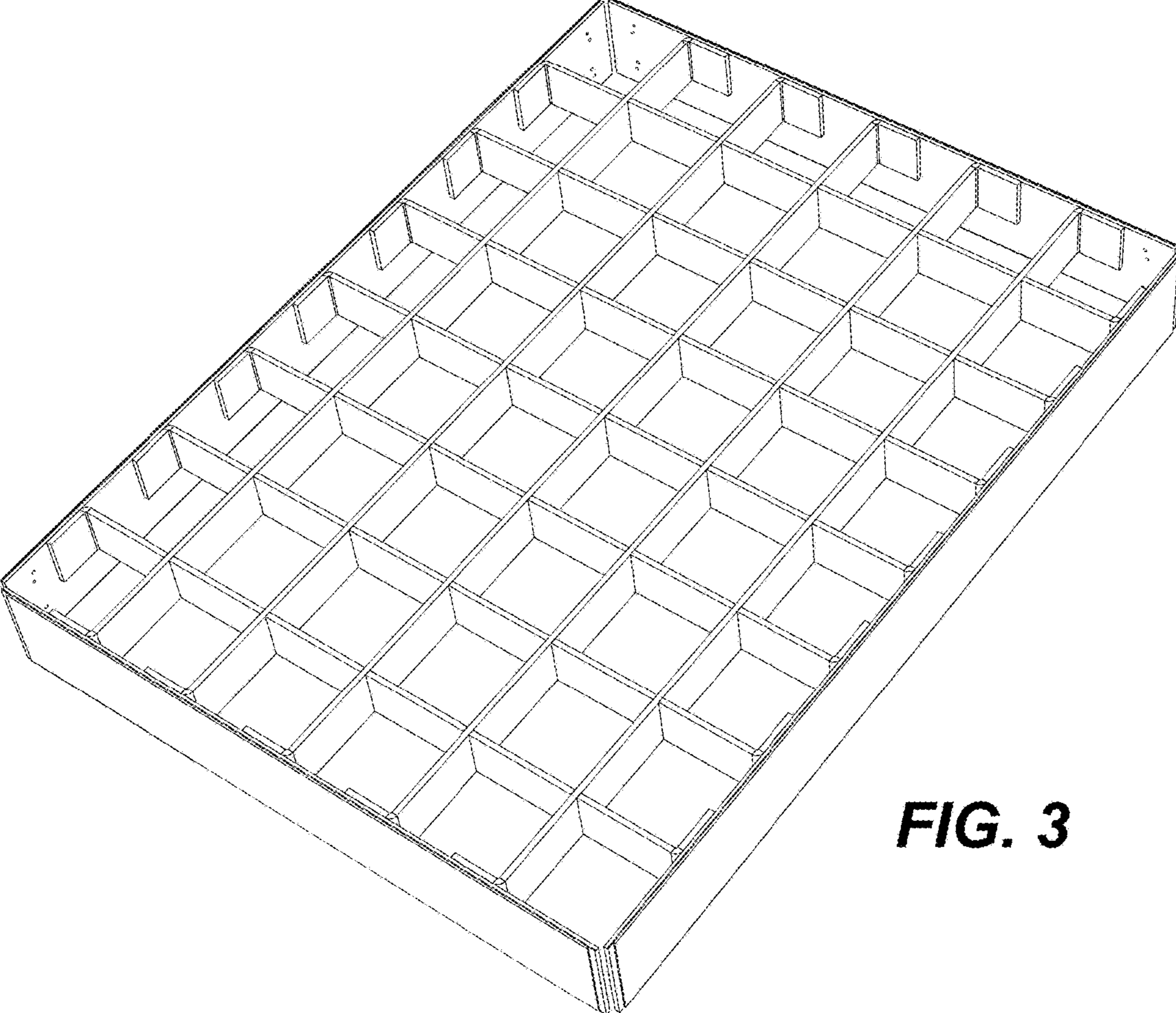


FIG. 3

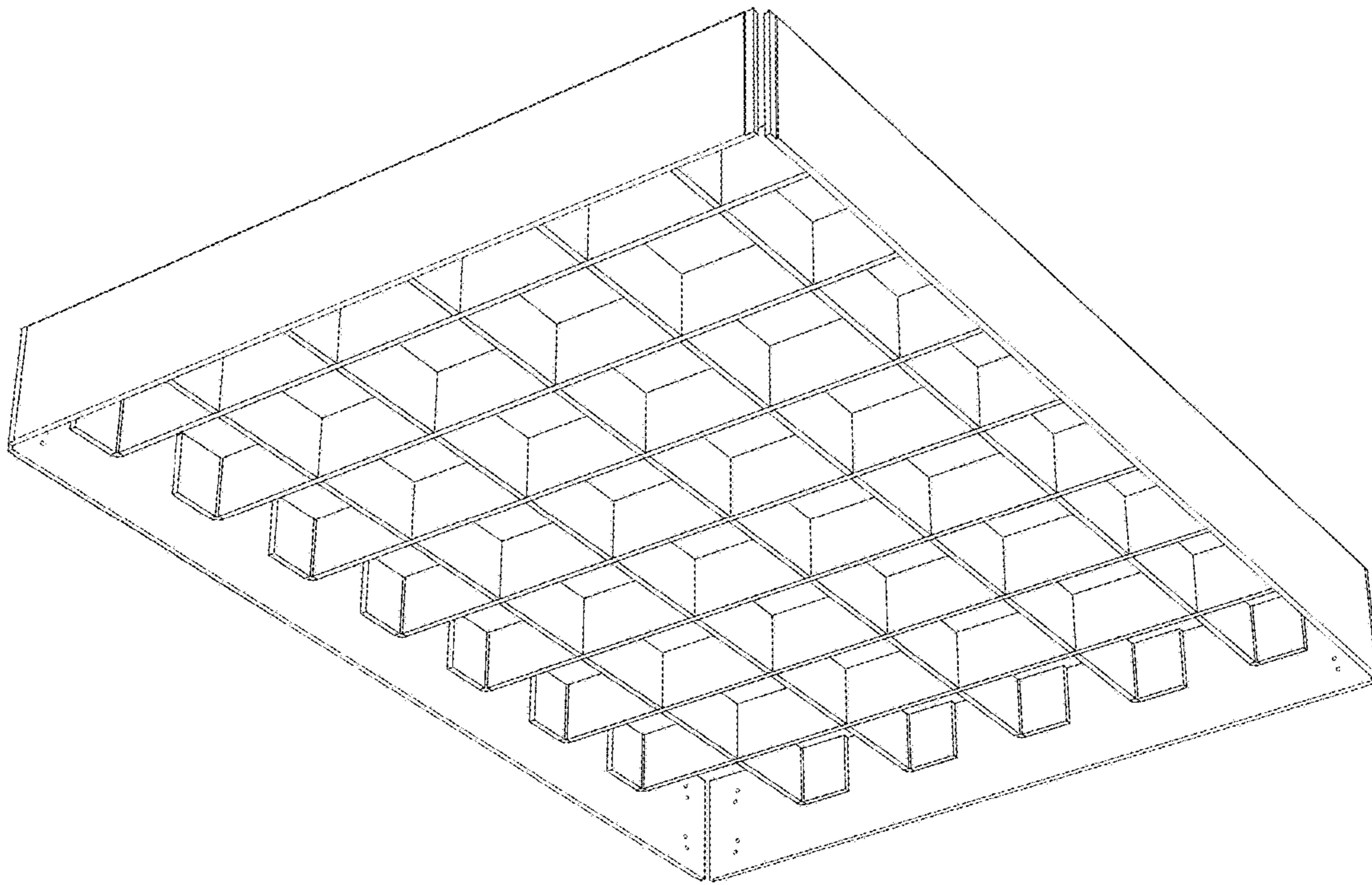


FIG. 4

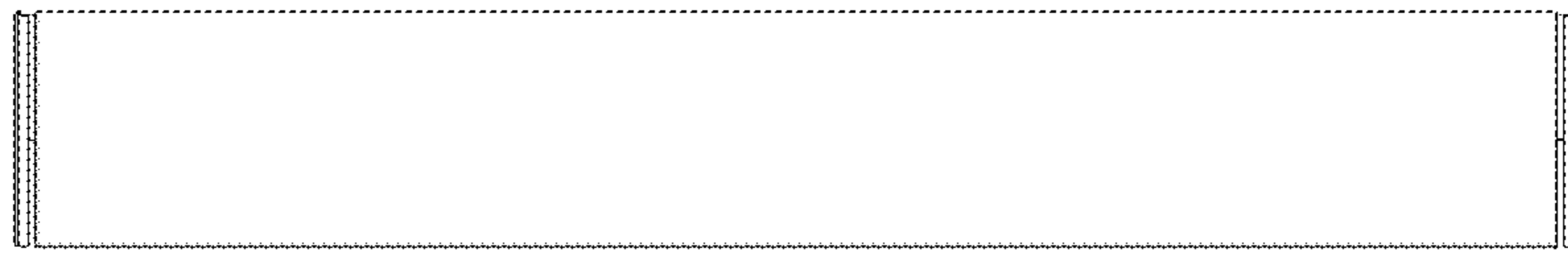


FIG. 5



FIG. 6

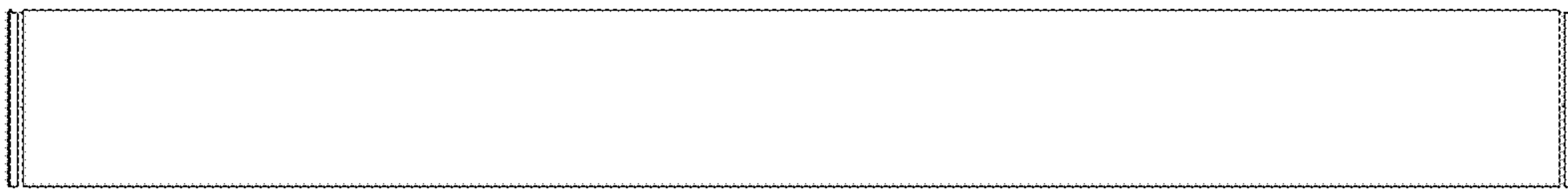


FIG. 7

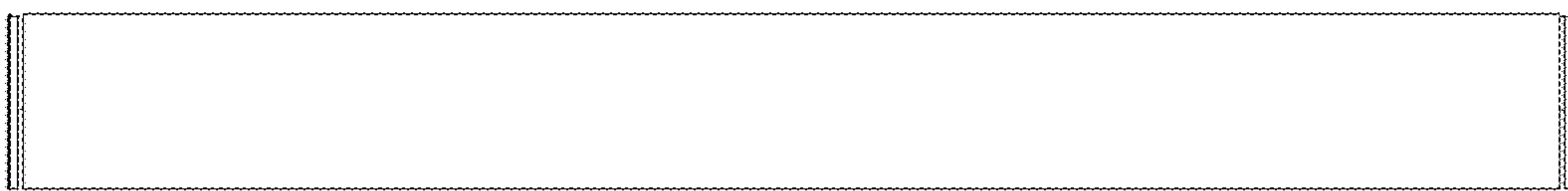


FIG. 8

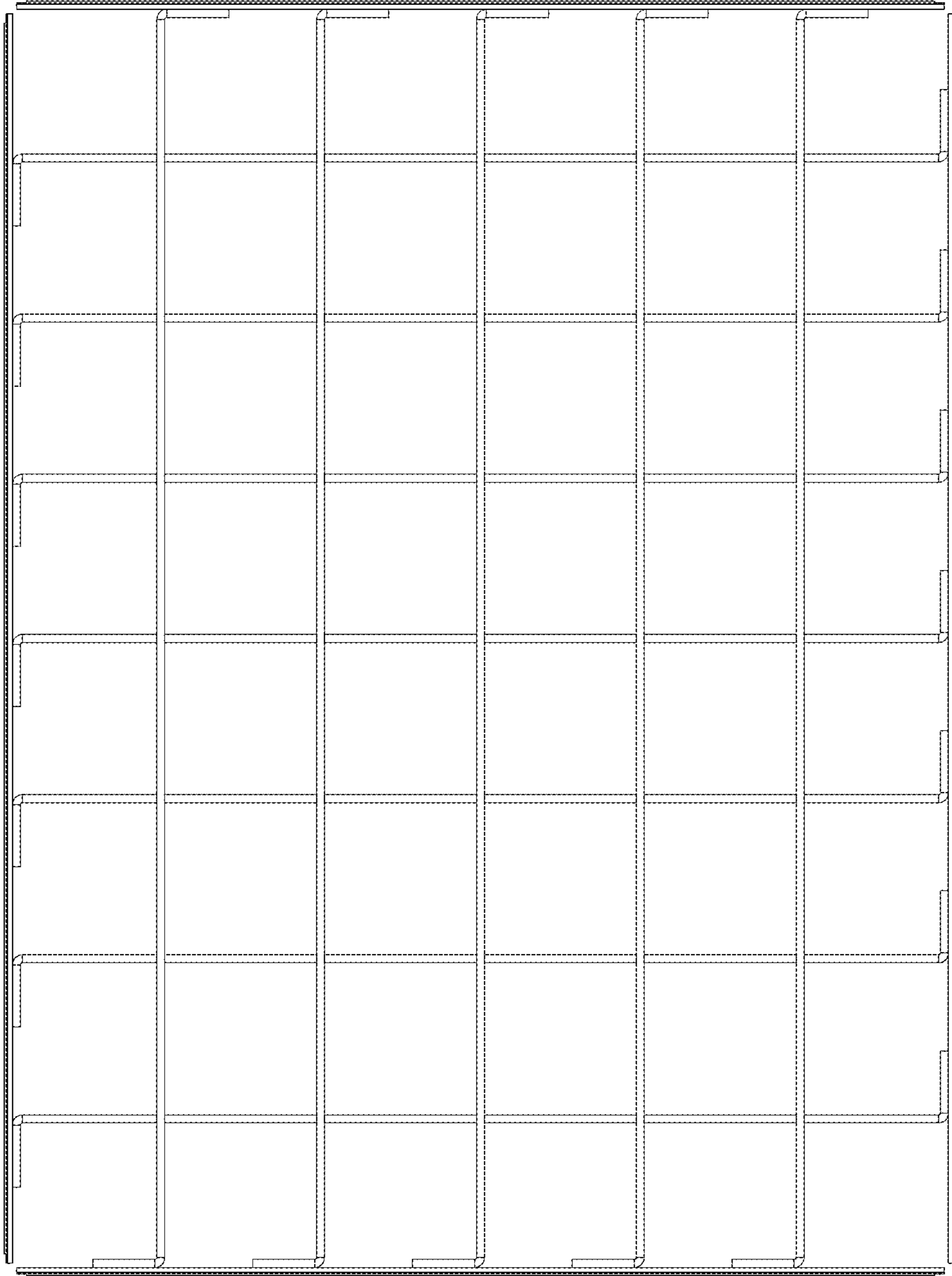


FIG. 9

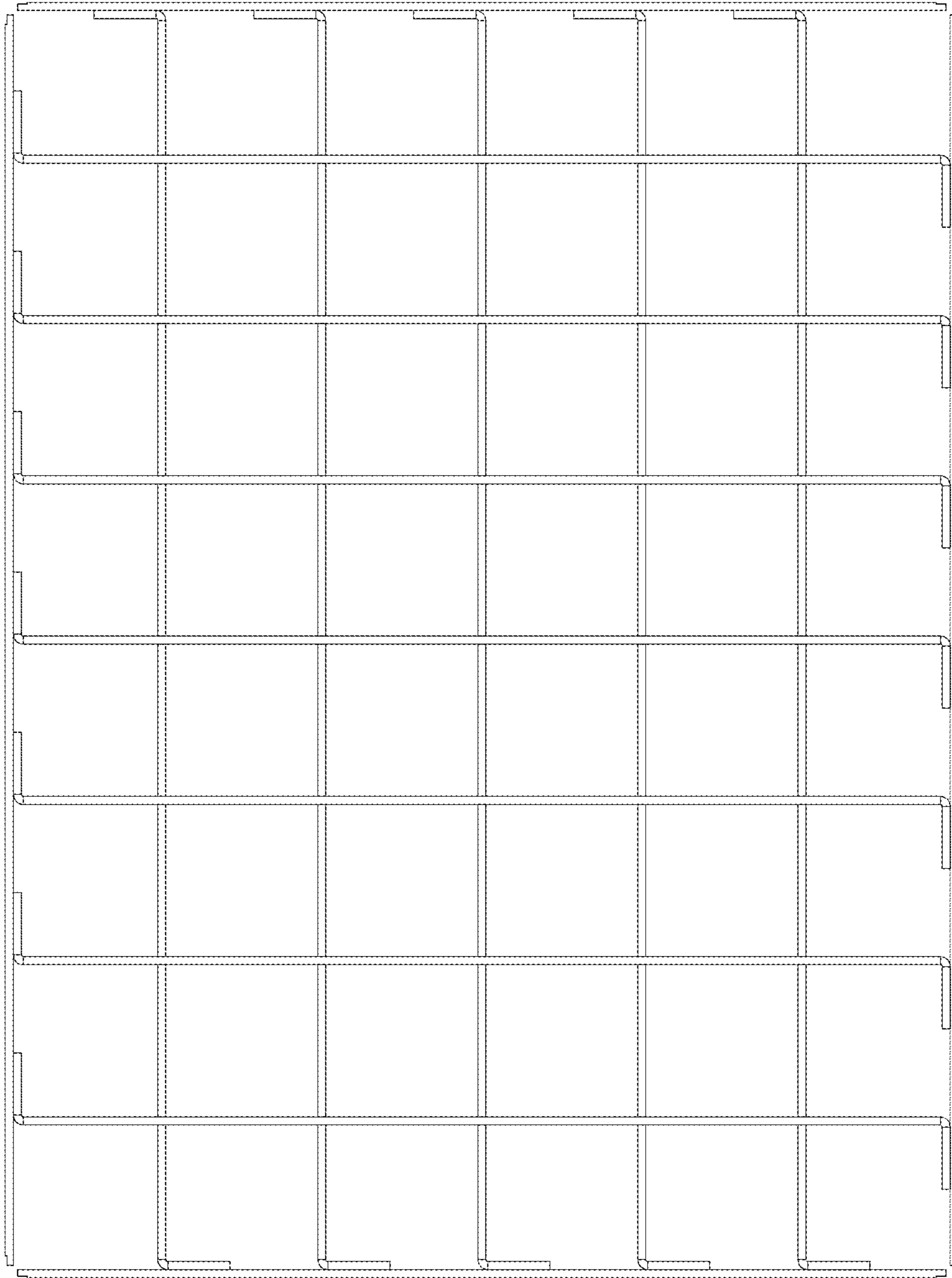


FIG. 10