



US00D792121S

(12) **United States Design Patent**
Pedersen

(10) **Patent No.:** **US D792,121 S**
(45) **Date of Patent:** **** Jul. 18, 2017**

(54) **LOUNGE CHAIR**

DESCRIPTION

- (71) Applicant: **Henrik Pedersen**, Aarhus C (DK)
- (72) Inventor: **Henrik Pedersen**, Aarhus C (DK)
- (73) Assignee: **GLOSTER FURNITURE LIMITED**,
Bristol (GB)
- (**) Term: **15 Years**
- (21) Appl. No.: **29/505,790**
- (22) Filed: **Feb. 10, 2016**
- (51) **LOC (10) Cl.** **06-01**
- (52) **U.S. Cl.**
USPC **D6/379**; D6/381
- (58) **Field of Classification Search**
USPC D6/334, 335, 336, 360, 361, 367, 368,
D6/371-375, 379-381, 716, 716.1-716.8
CPC A47C 7/00; A47C 7/62; A47C 7/18; A47C
7/54; A47C 4/00; A47C 4/028; A47C
4/28; A47C 3/16; A47C 3/04; A47C 3/12;
A47C 1/02; A47C 1/14
See application file for complete search history.

(56) **References Cited**

U.S. PATENT DOCUMENTS

- D133,849 S * 9/1942 Brodovitch D6/375
- D155,023 S * 8/1949 Michals D6/334
- D165,788 S * 1/1952 Risom 297/411.43

(Continued)

Primary Examiner — Deanna L Pratt

(74) *Attorney, Agent, or Firm* — Ladas & Parry LLP

(57) **CLAIM**

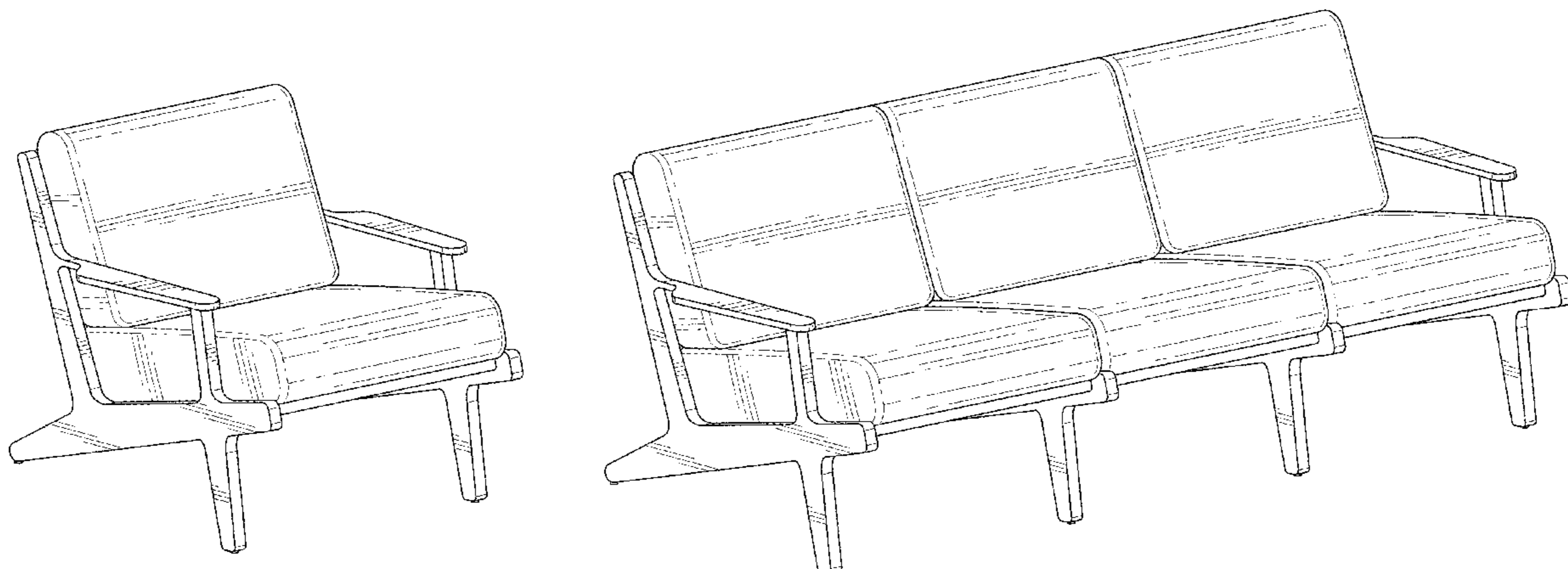
The ornamental design for a lounge chair, as shown.

FIG. 1 is a top right front perspective view of a preferred embodiment of the lounge chair showing my new design; FIG. 2 is a bottom rear perspective thereof; FIG. 3 is a front plan view thereof; FIG. 4 is a rear plan view thereof; FIG. 5 is a top elevation thereof; FIG. 6 is a bottom elevation thereof; FIG. 7 is a right side elevation thereof; and FIG. 8 is a left side elevation thereof.

FIG. 9 is a top right front perspective view of a double seat embodiment of the lounge chair showing my new design; FIG. 10 is a bottom rear perspective of the double seat embodiment; FIG. 11 is a front plan view of the double seat embodiment; FIG. 12 is a rear plan view of the double seat embodiment; FIG. 13 is a top elevation of the double seat embodiment; FIG. 14 is bottom elevation of the double seat embodiment; FIG. 15 is a right side elevation of the double seat embodiment; and FIG. 16 is a left side elevation of the double seat embodiment;

FIG. 17 is a top right front perspective view of a triple seat embodiment of the lounge chair showing my new design; FIG. 18 is a bottom rear perspective of the triple seat embodiment; FIG. 19 is a front plan view of the triple seat embodiment; FIG. 20 is a rear plan view of the double seat embodiment; FIG. 21 is top elevation of the triple seat embodiment; FIG. 22 is a bottom elevation of the triple seat embodiment; FIG. 23 is a right side elevation of the triple seat embodiment; and, FIG. 24 is a left side elevation of the triple seat embodiment.

1 Claim, 16 Drawing Sheets



(56)

References Cited

U.S. PATENT DOCUMENTS

2,587,881	A	*	3/1952	Oakes	A47C 3/04
						297/239
D171,521	S	*	2/1954	Taffae	D6/334
D177,081	S	*	3/1956	Wells	297/445.1
D177,366	S	*	4/1956	Cutrow	D6/375
D182,901	S	*	5/1958	Kaehn	297/445.1
D183,618	S	*	9/1958	Kofod-Larsen	D6/379
D187,424	S	*	3/1960	Frank	D6/335
D193,842	S	*	10/1962	Ohlsson	D6/379
D193,843	S	*	10/1962	Ohlsson	D6/379
D193,844	S	*	10/1962	Ohlsson	D6/379
D267,057	S	*	11/1982	Koehm	D6/368
D282,800	S	*	3/1986	Sorensen	D6/334
D690,952	S	*	10/2013	Becker	D6/374
D767,295	S	*	9/2016	Haase	D6/374

* cited by examiner

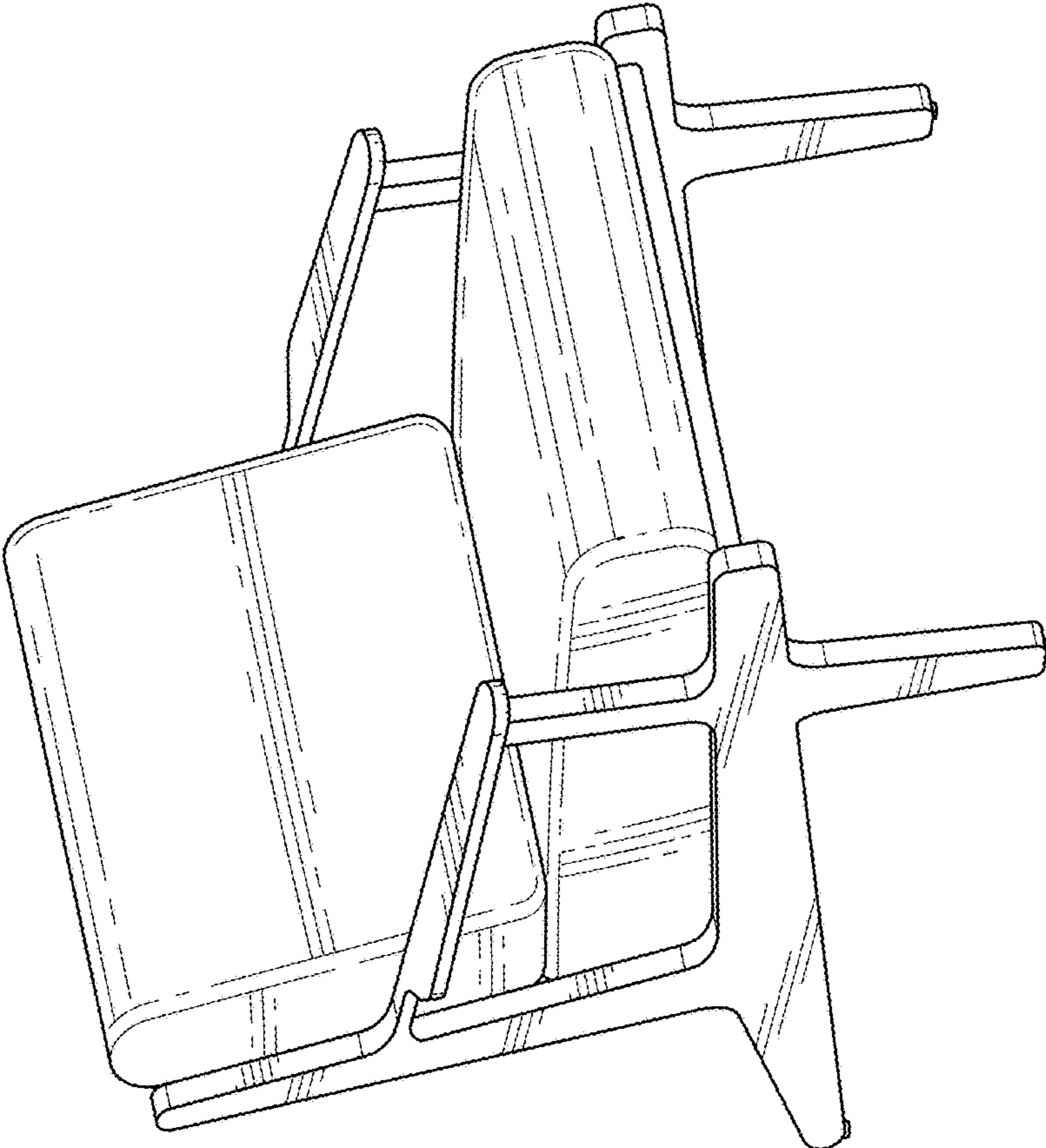


FIG. 1

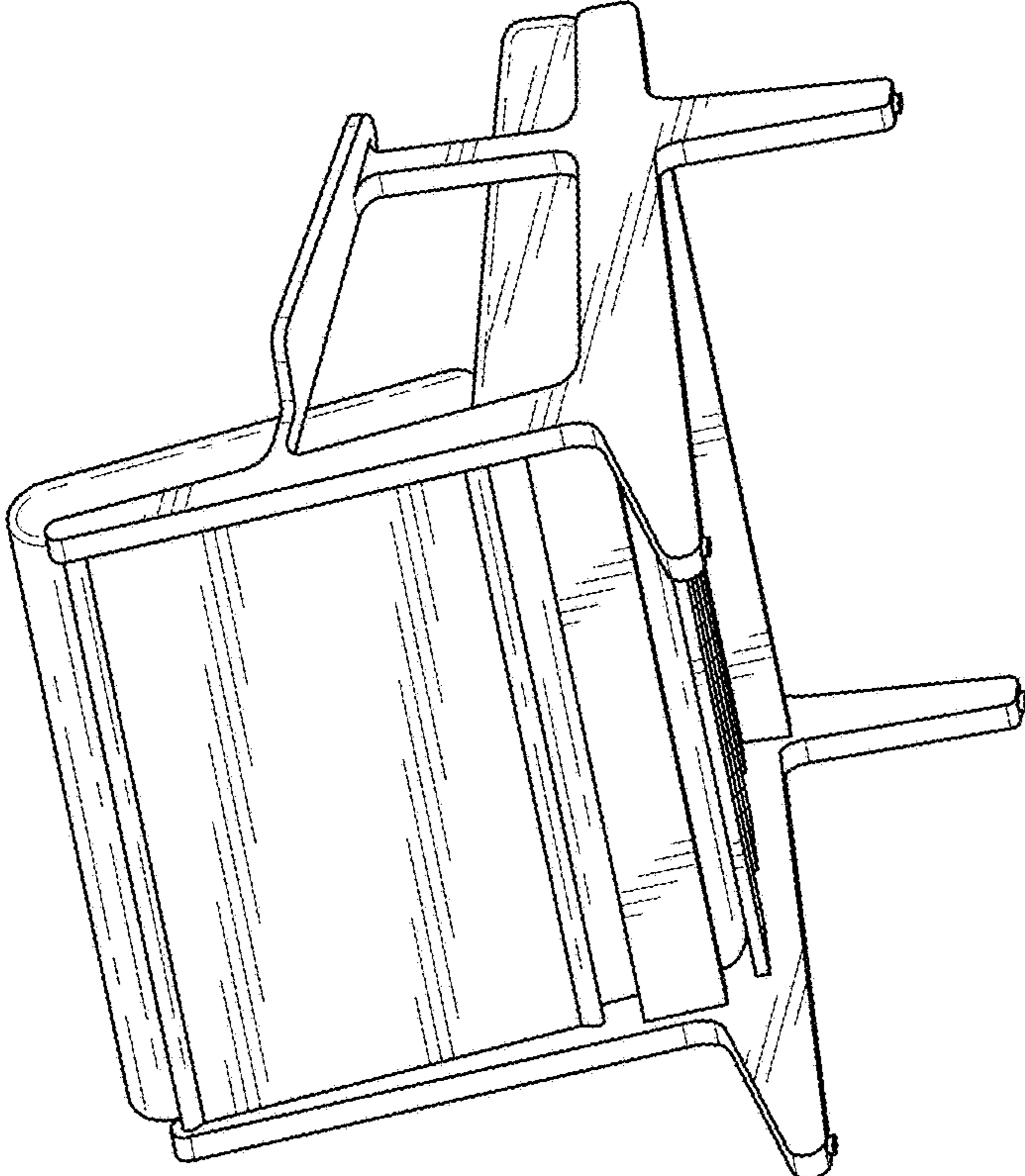


FIG. 2

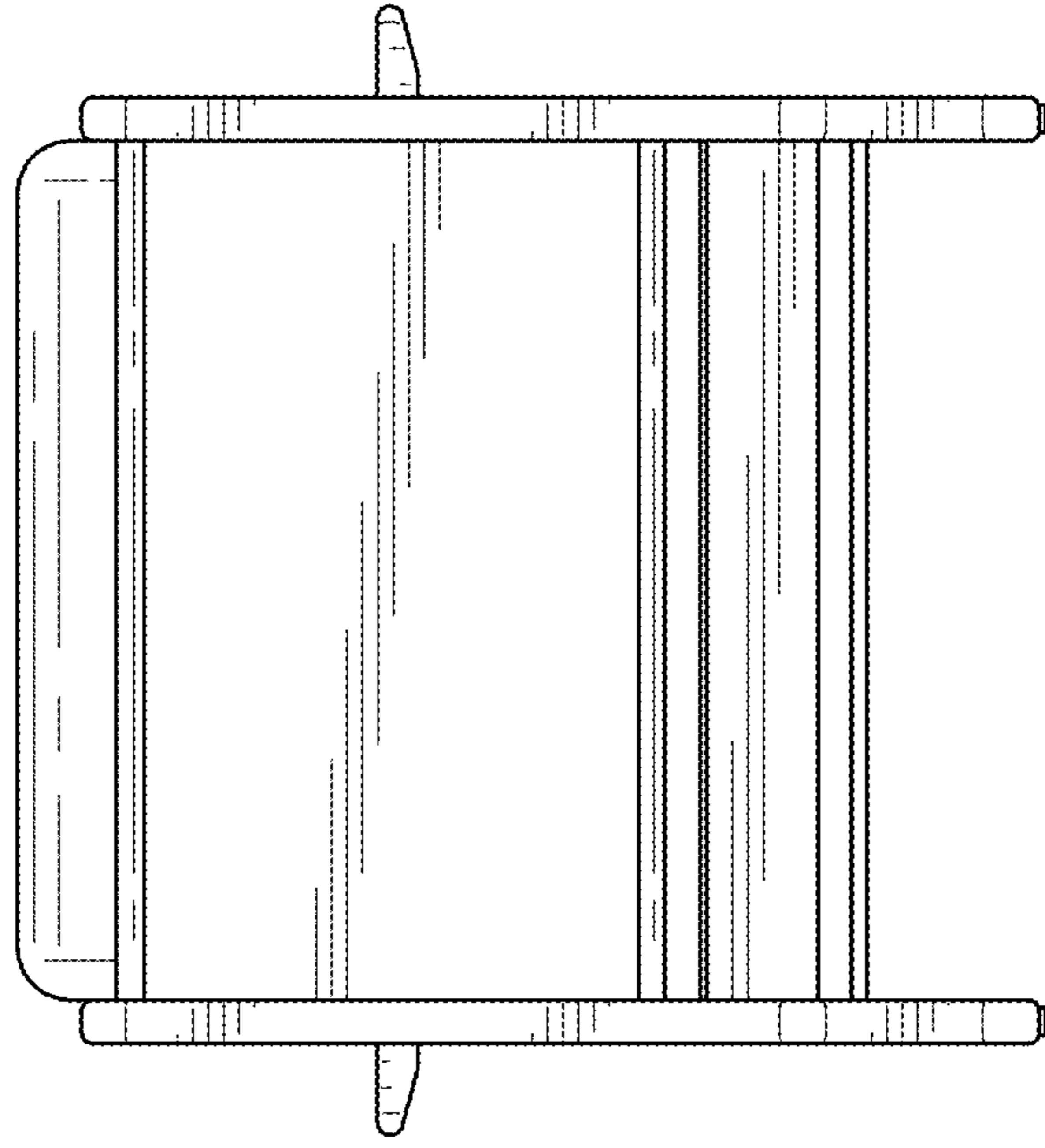


FIG. 4

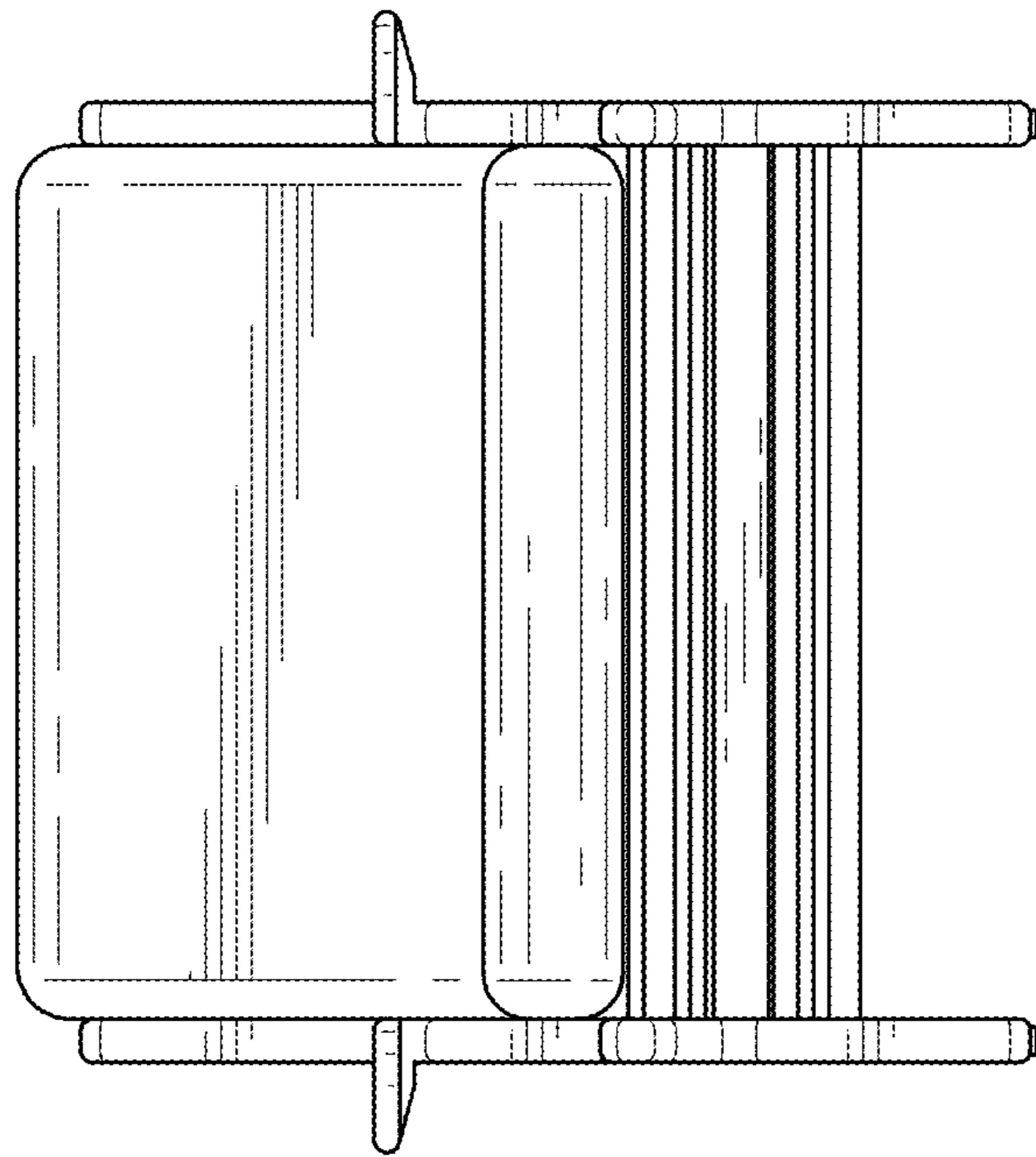


FIG. 3

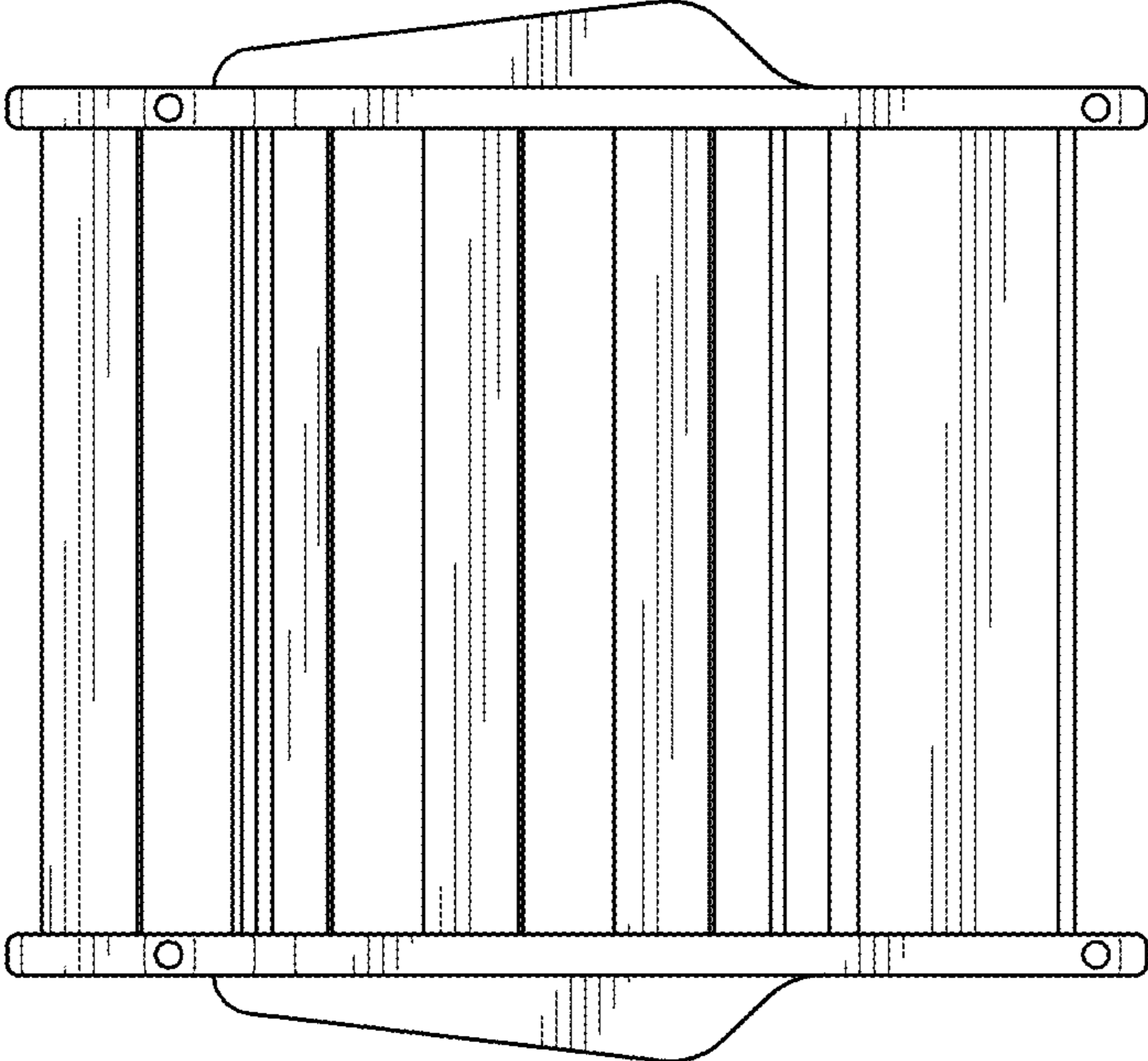


FIG. 6

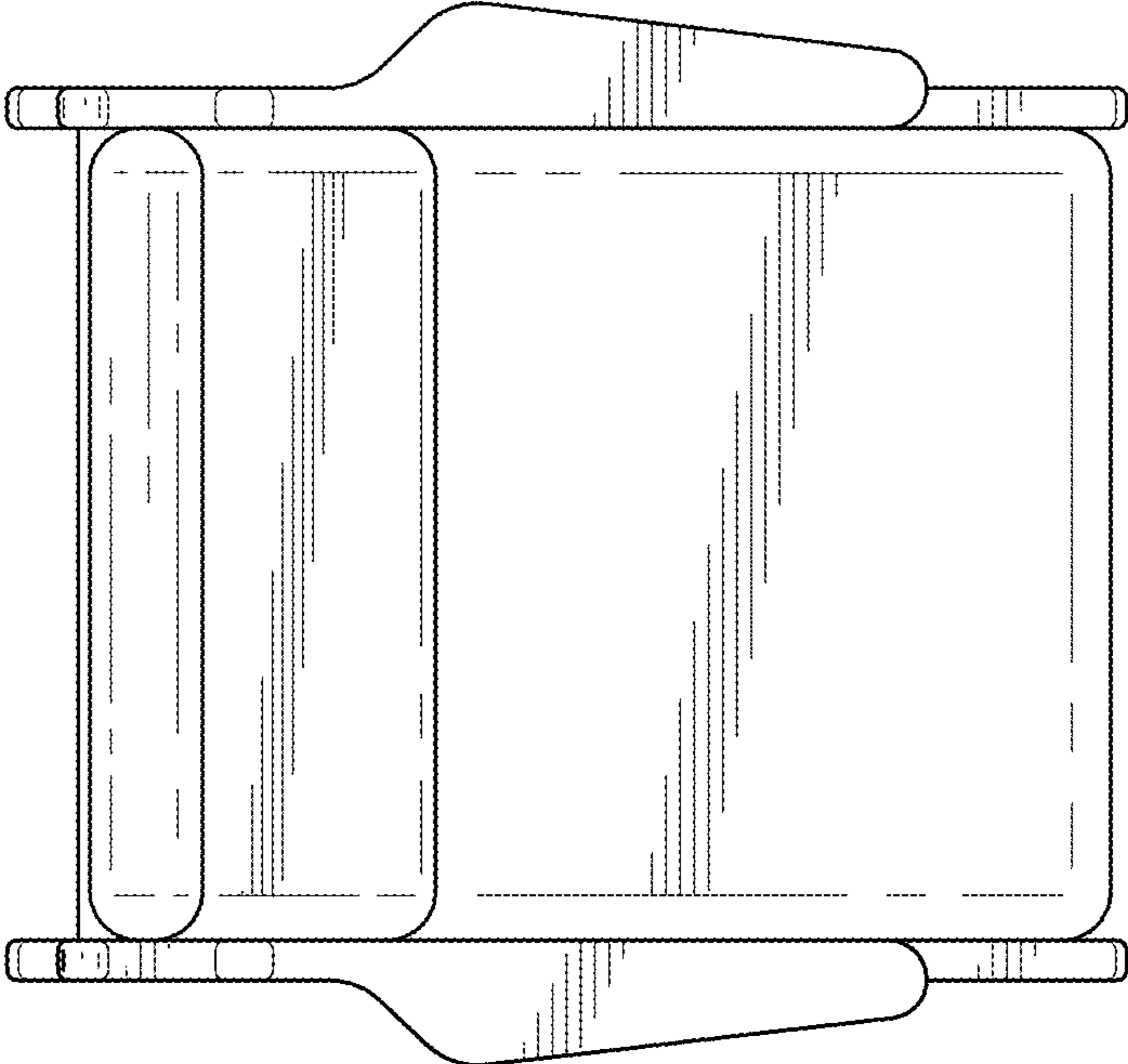


FIG. 5

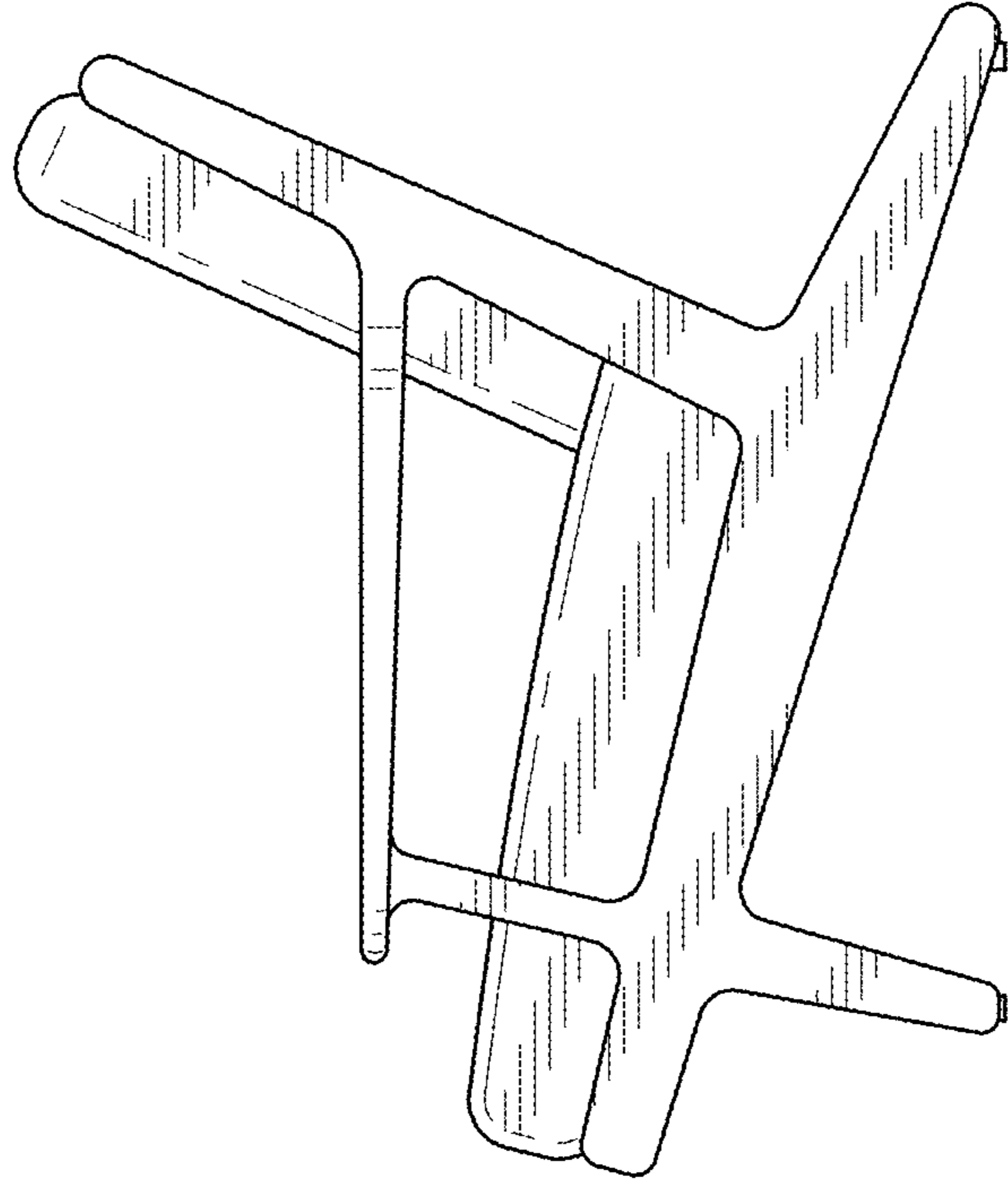


FIG. 7

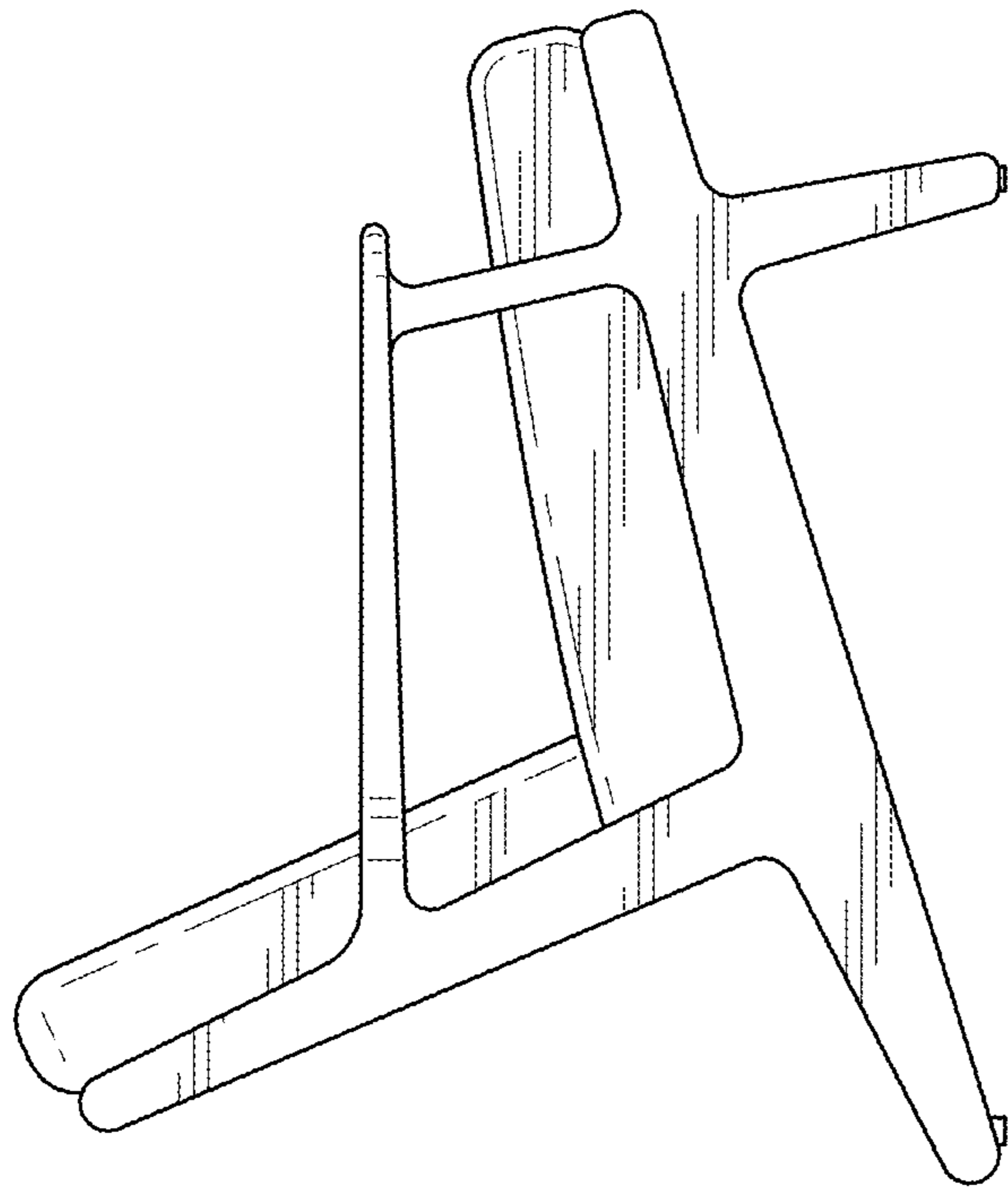


FIG. 8

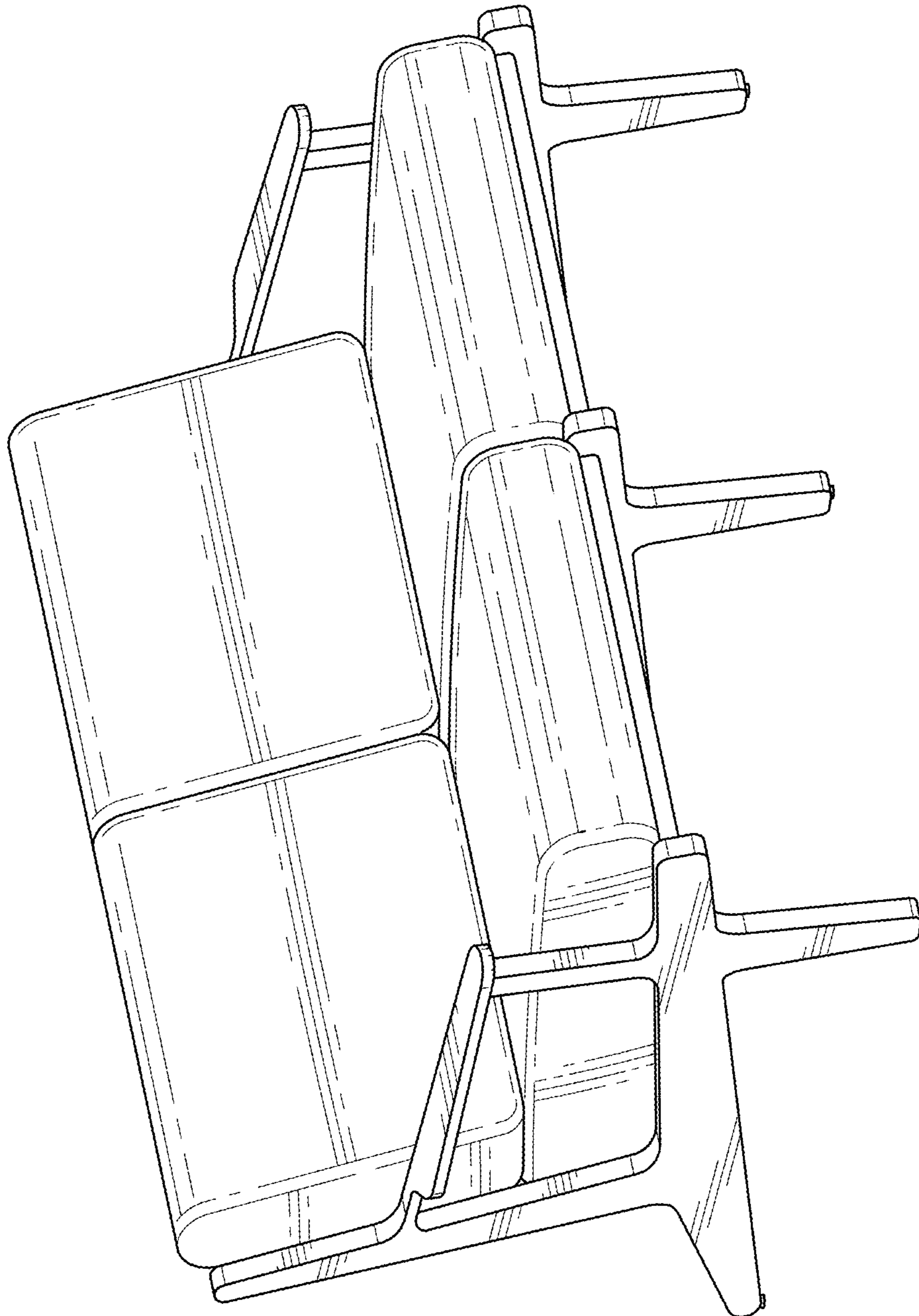


FIG. 9

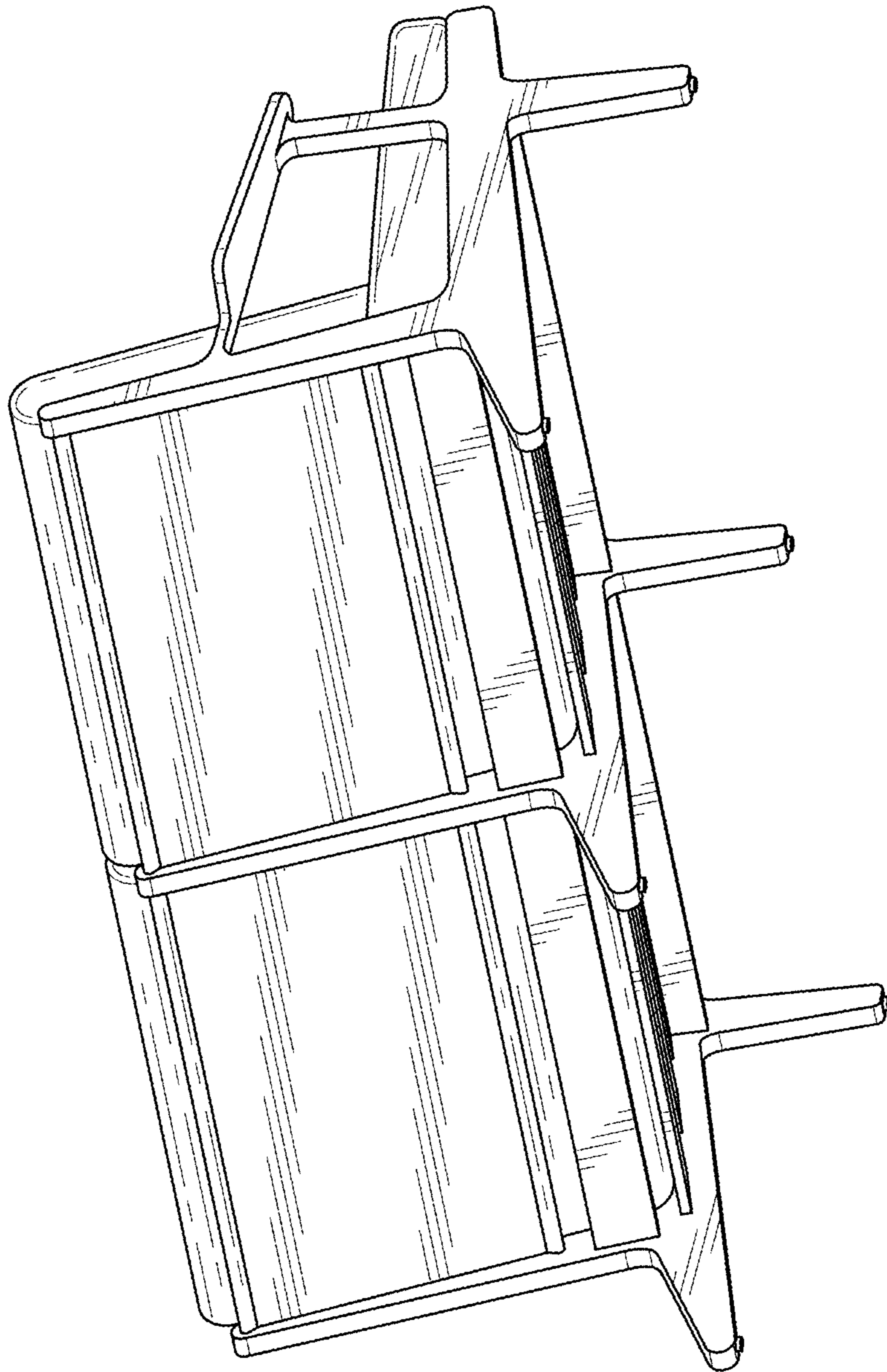


FIG. 10

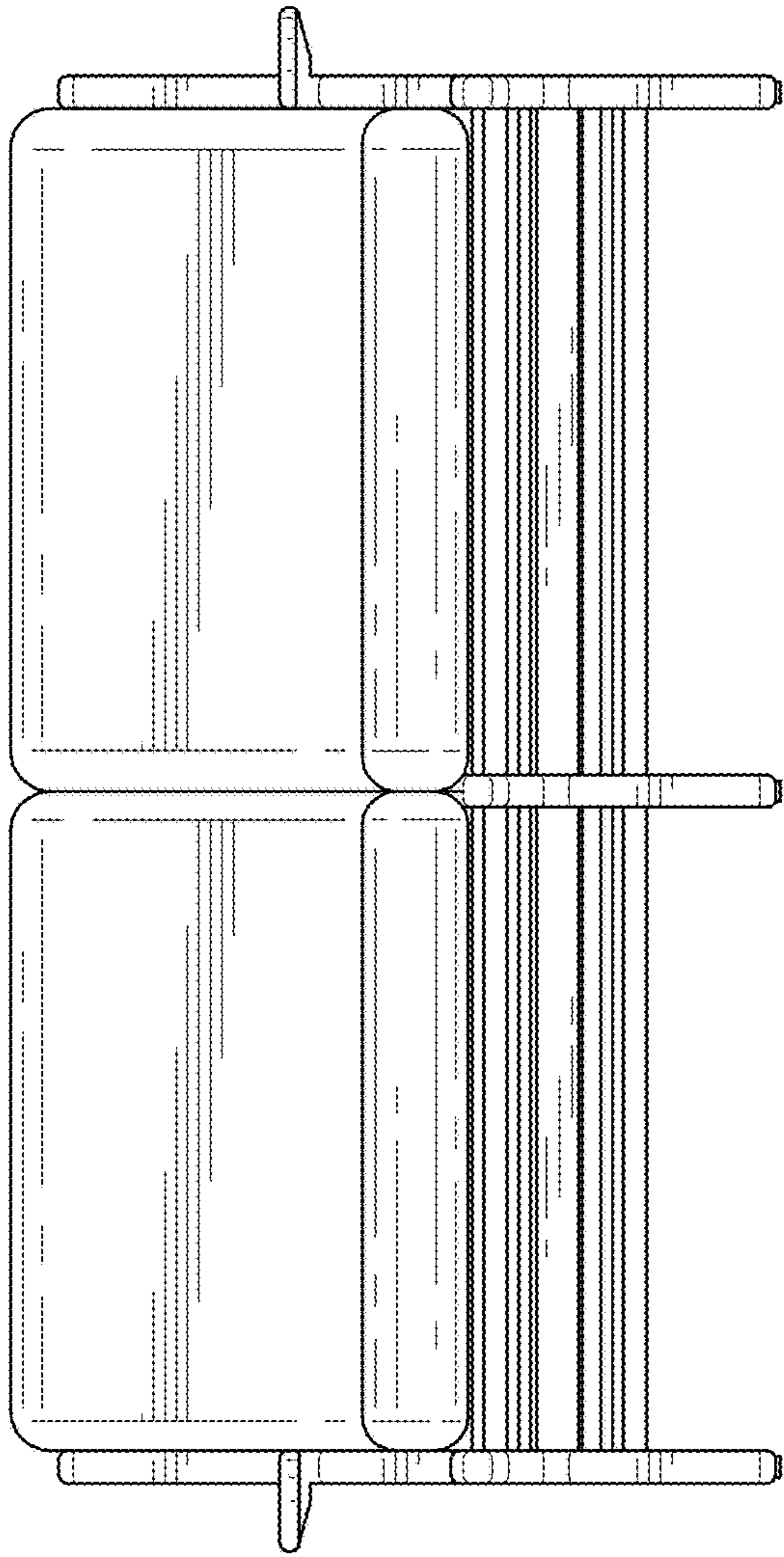


FIG. 11

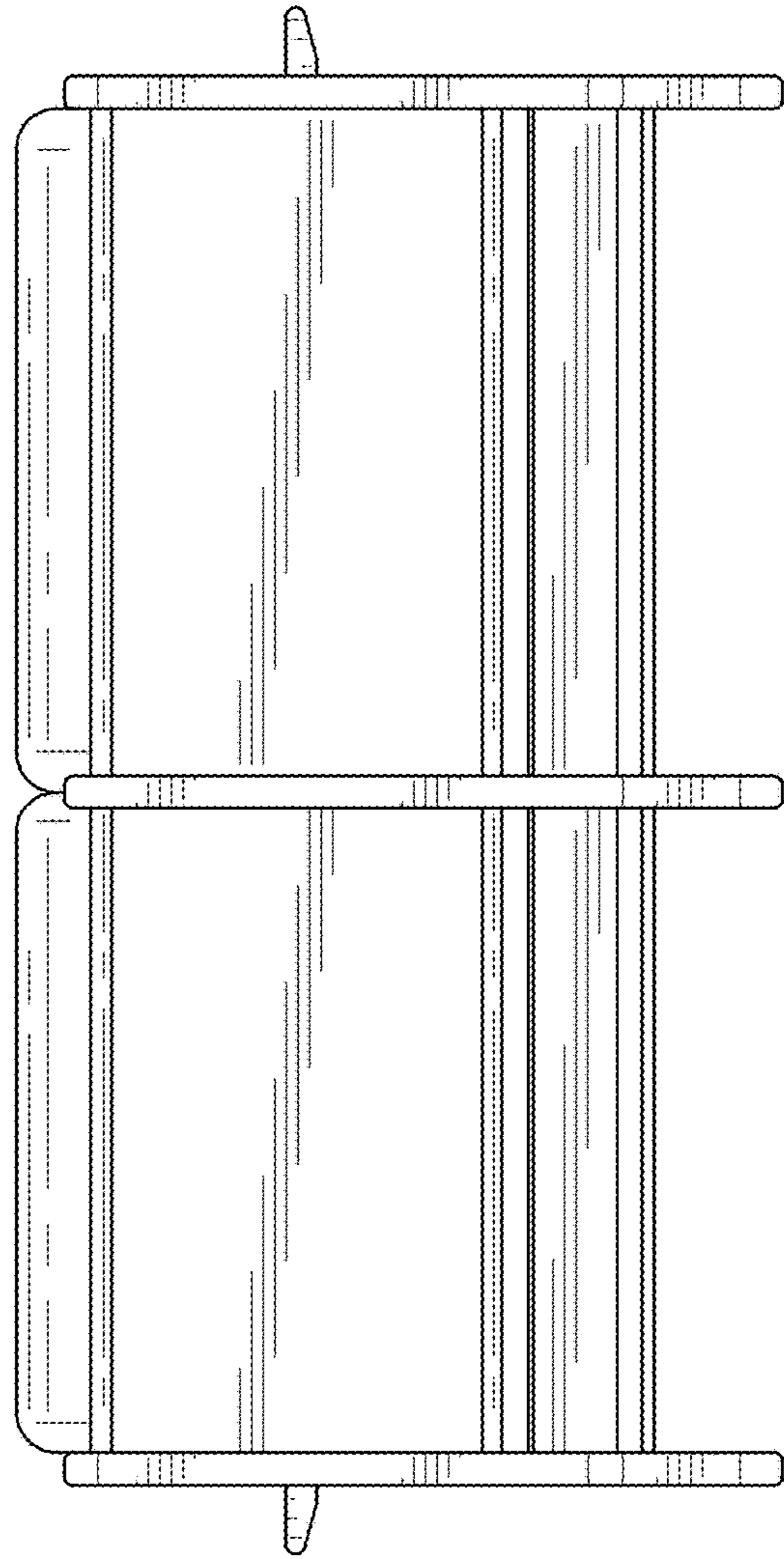


FIG. 12

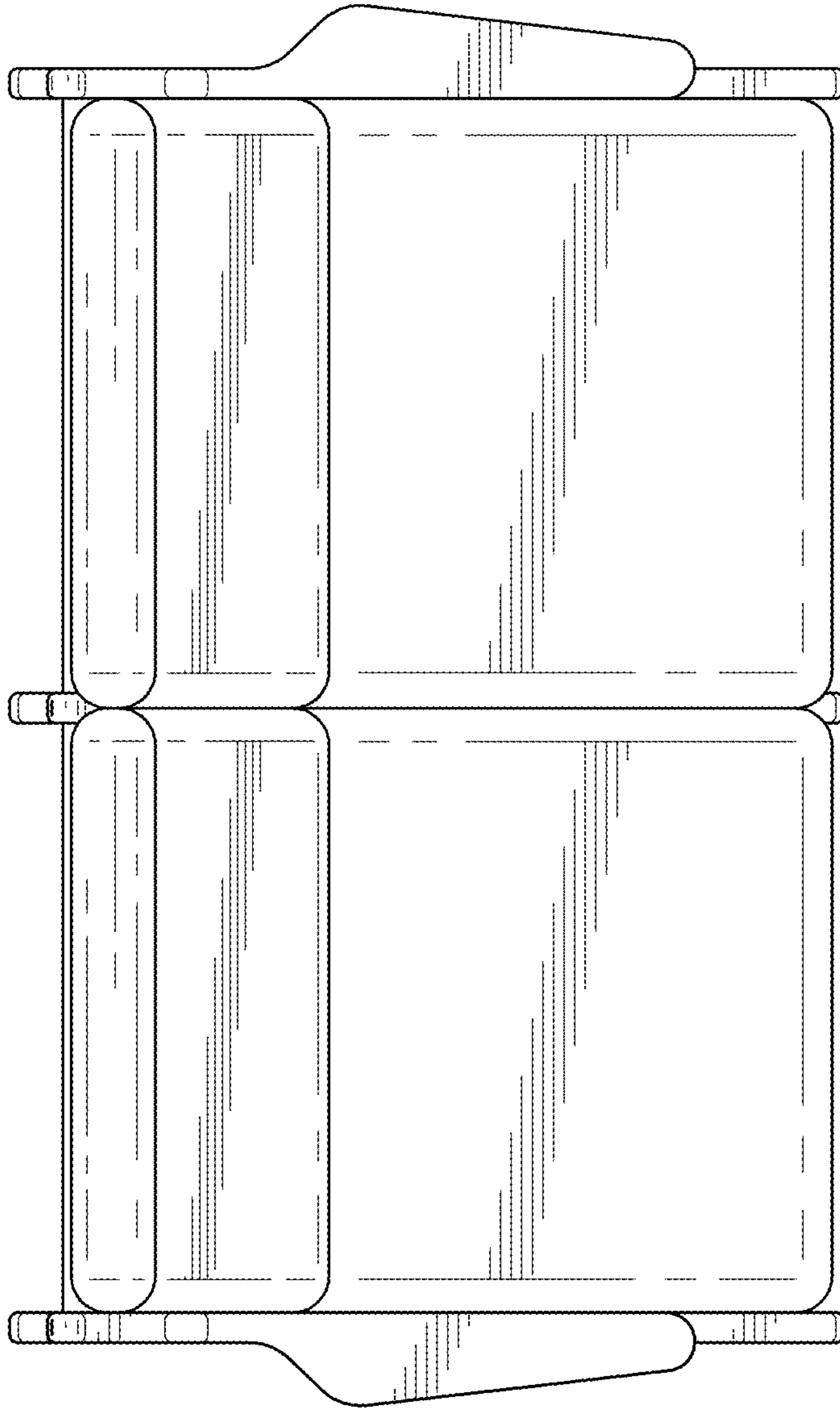


FIG. 13

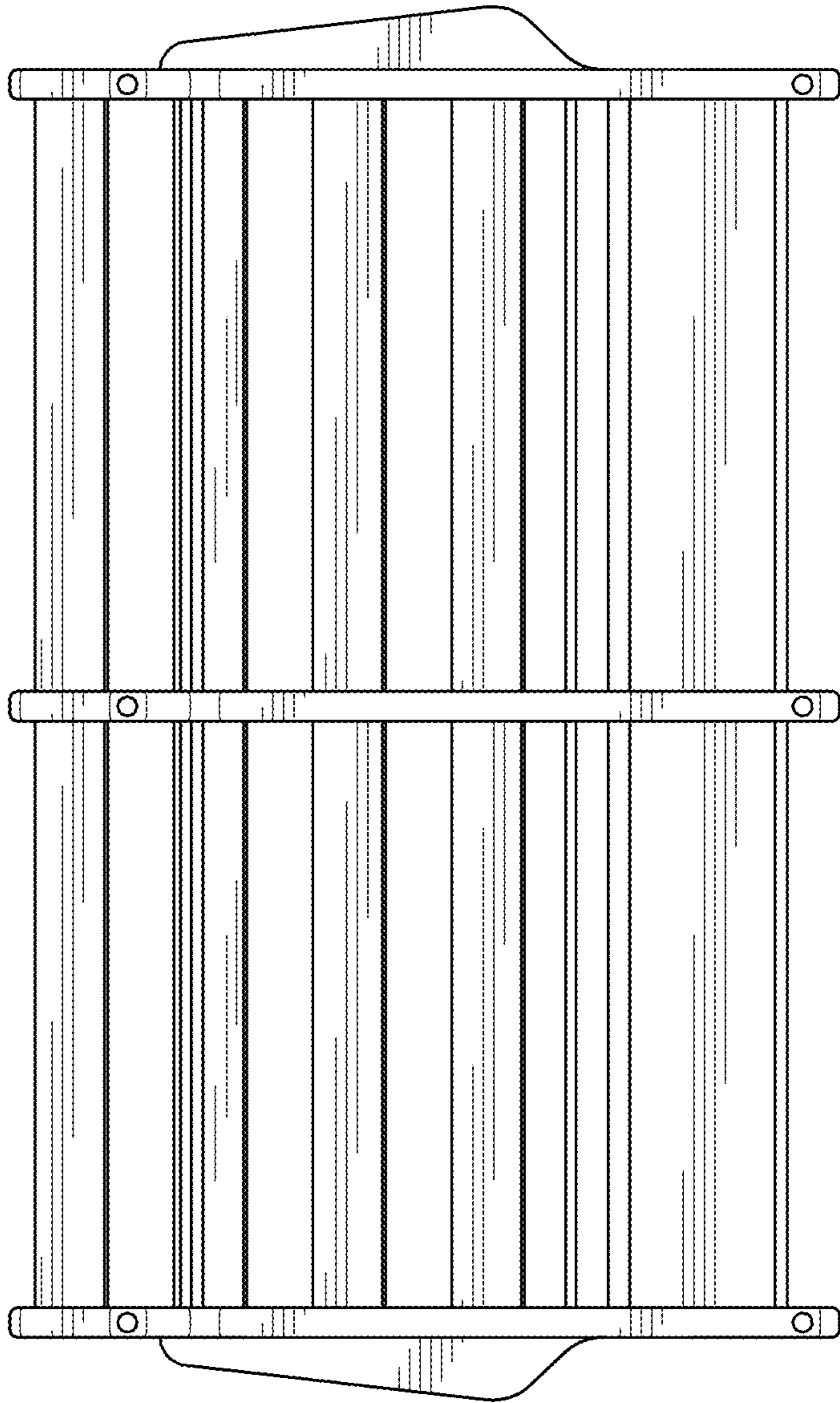


FIG. 14

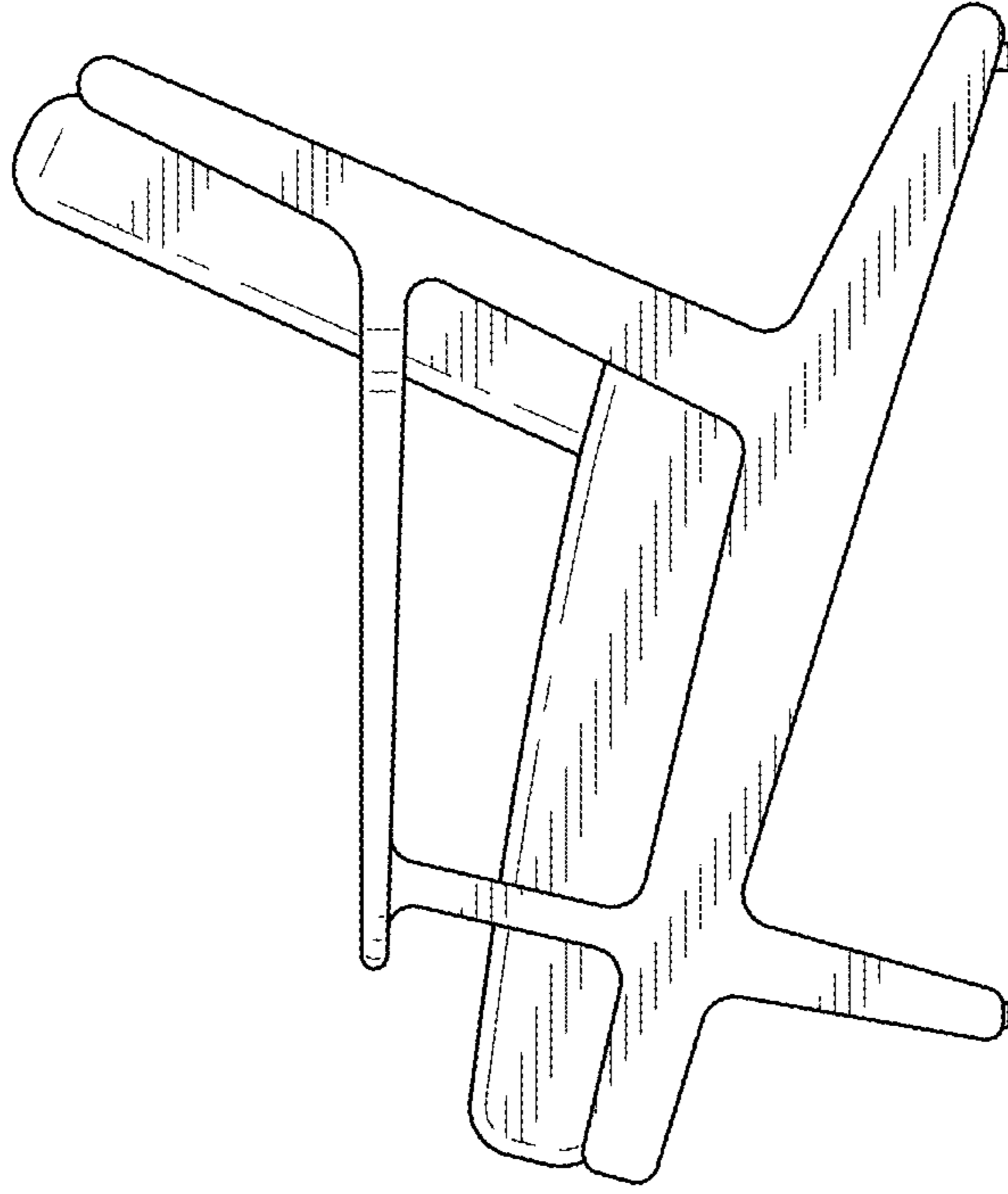


FIG. 16

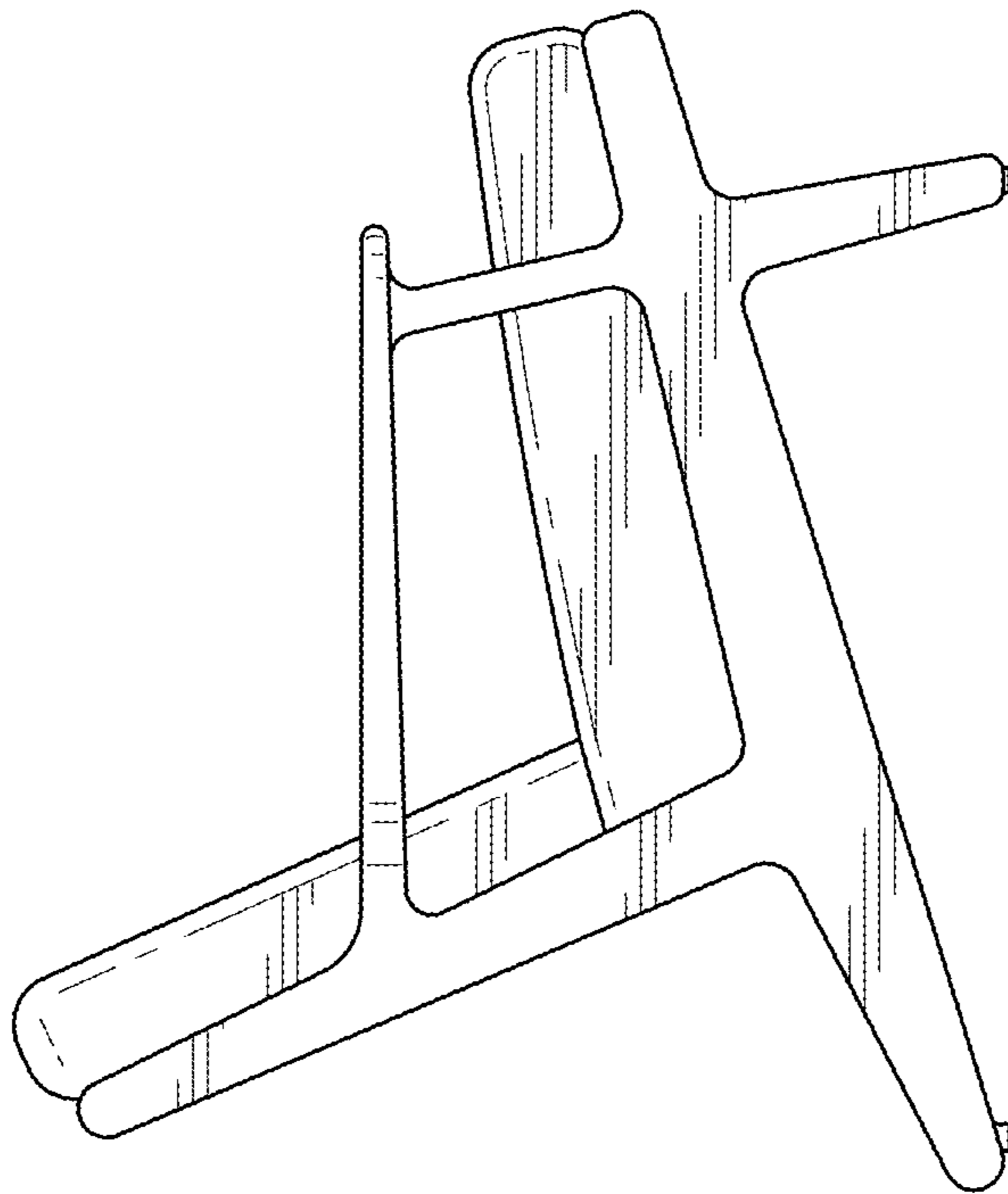


FIG. 15

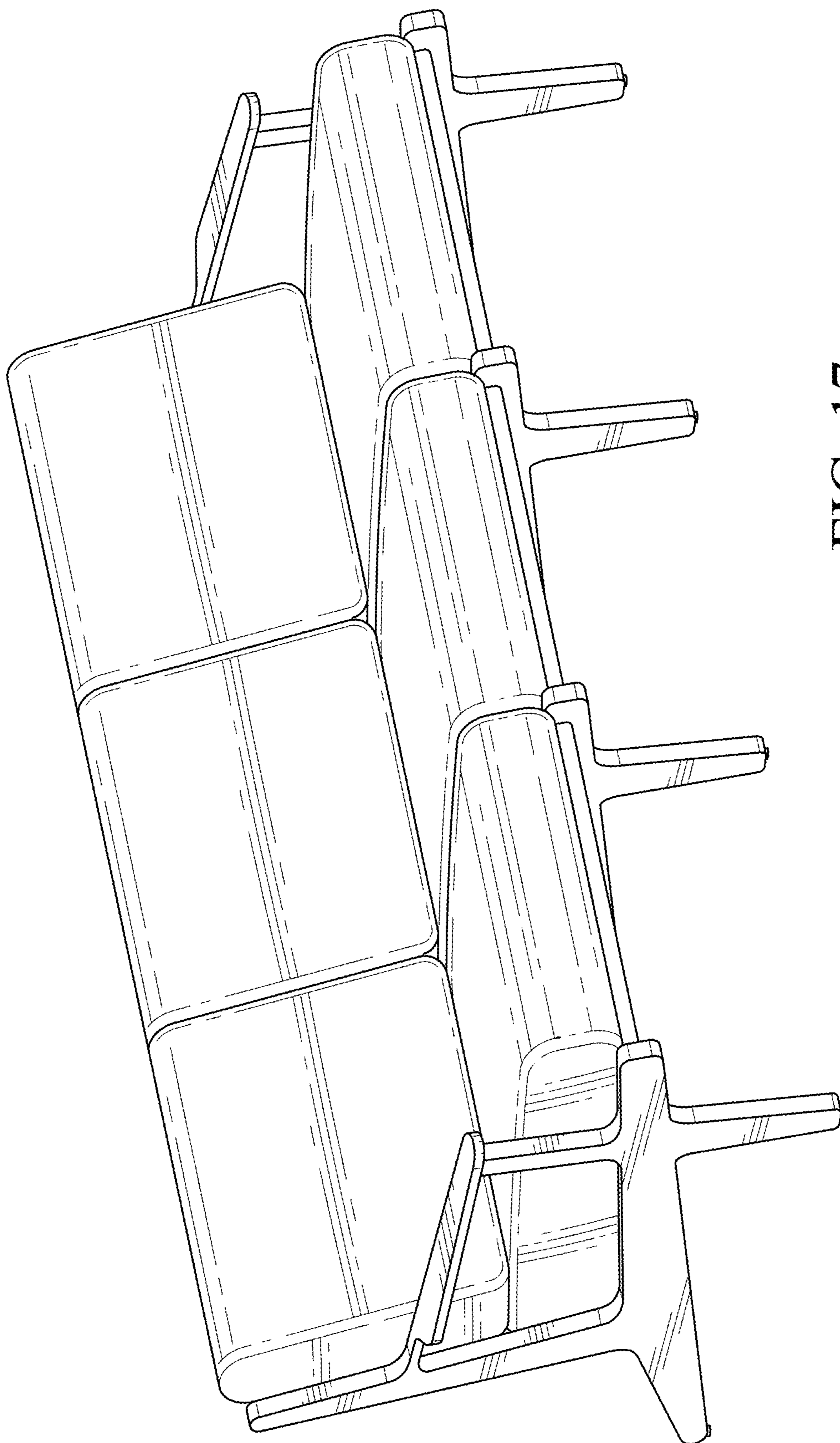


FIG. 17

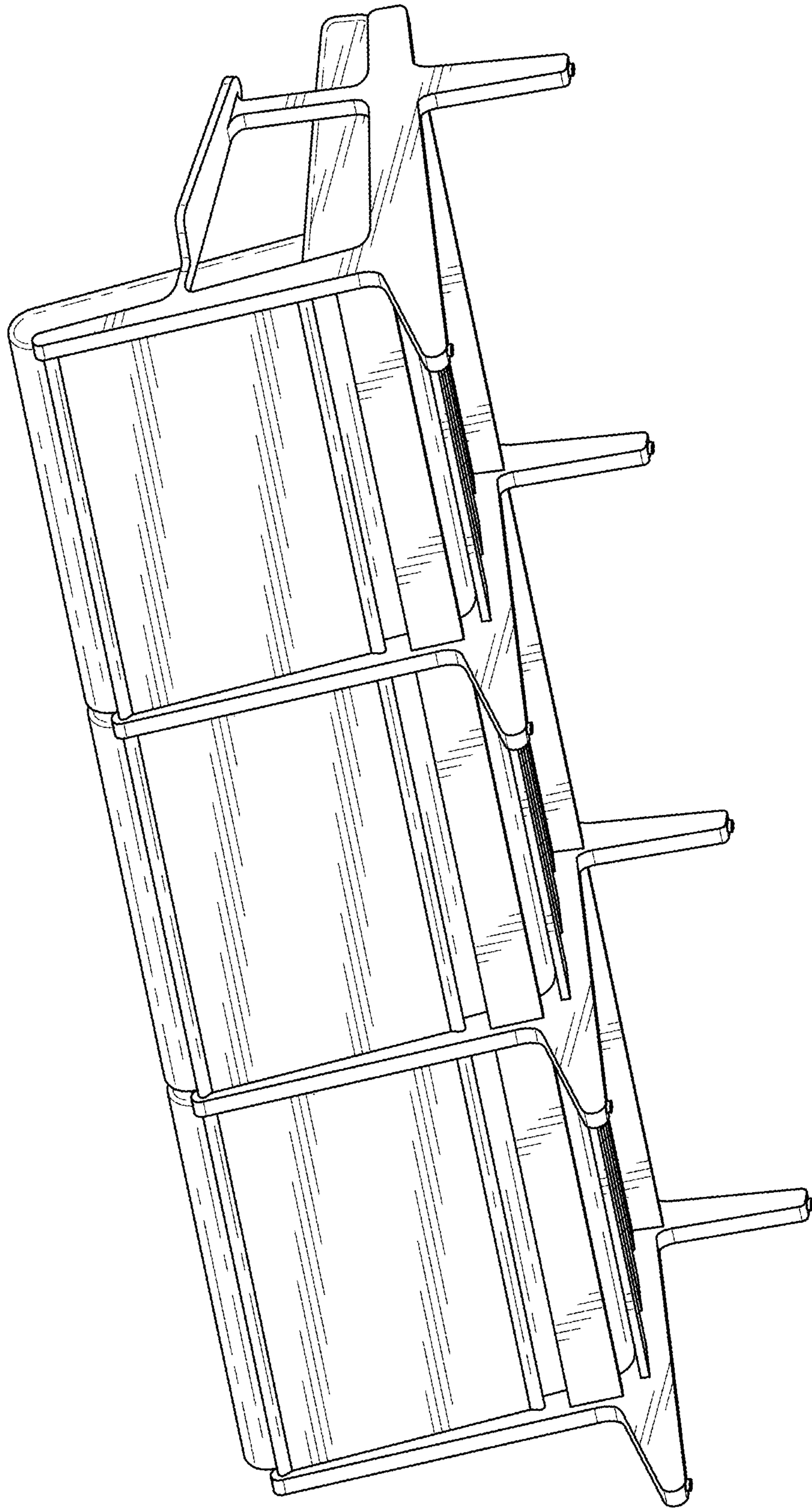


FIG. 18

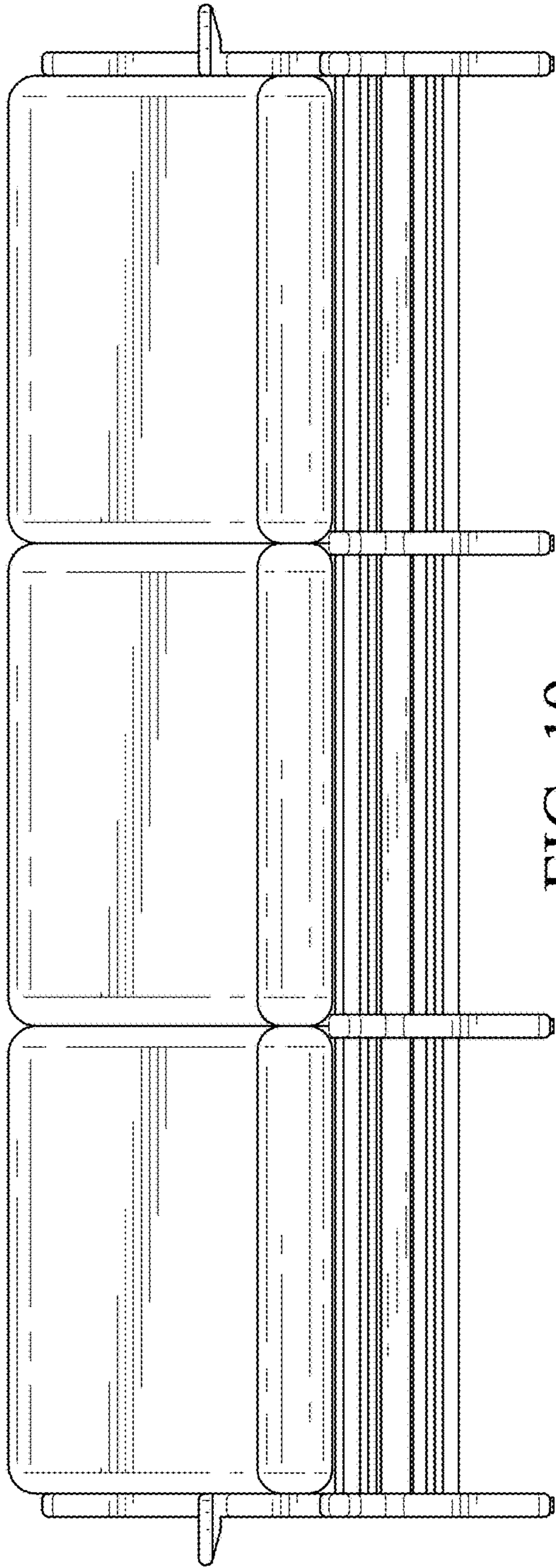


FIG. 19

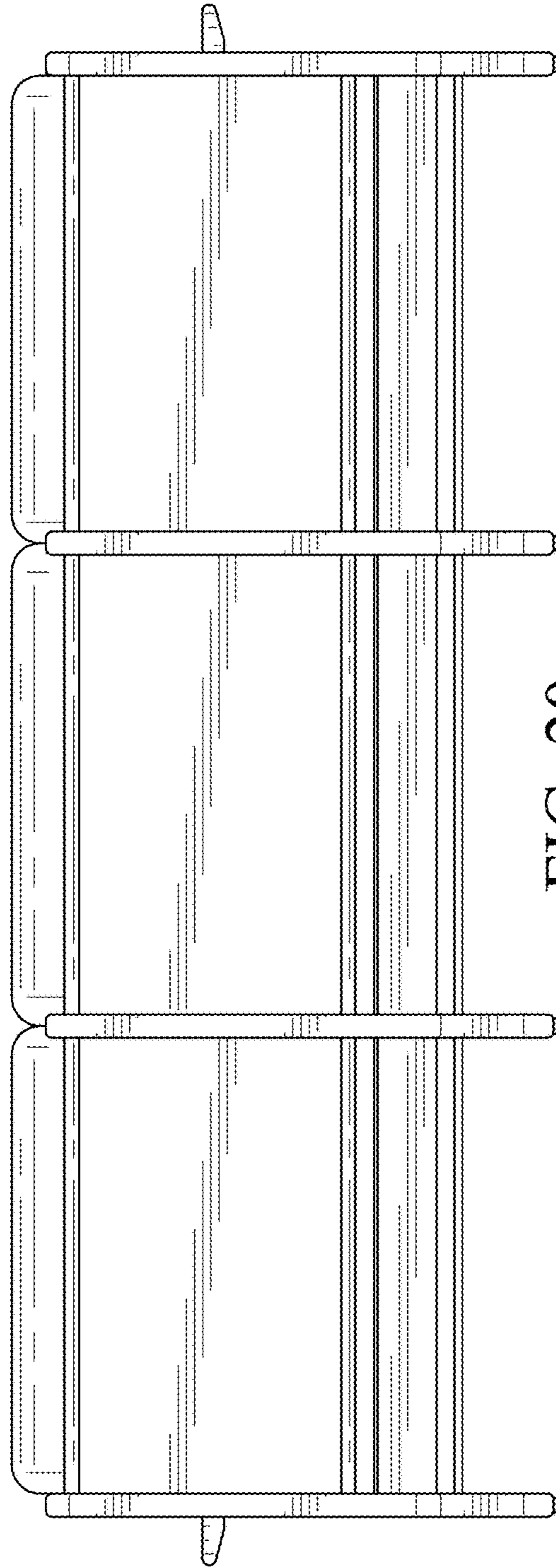


FIG. 20

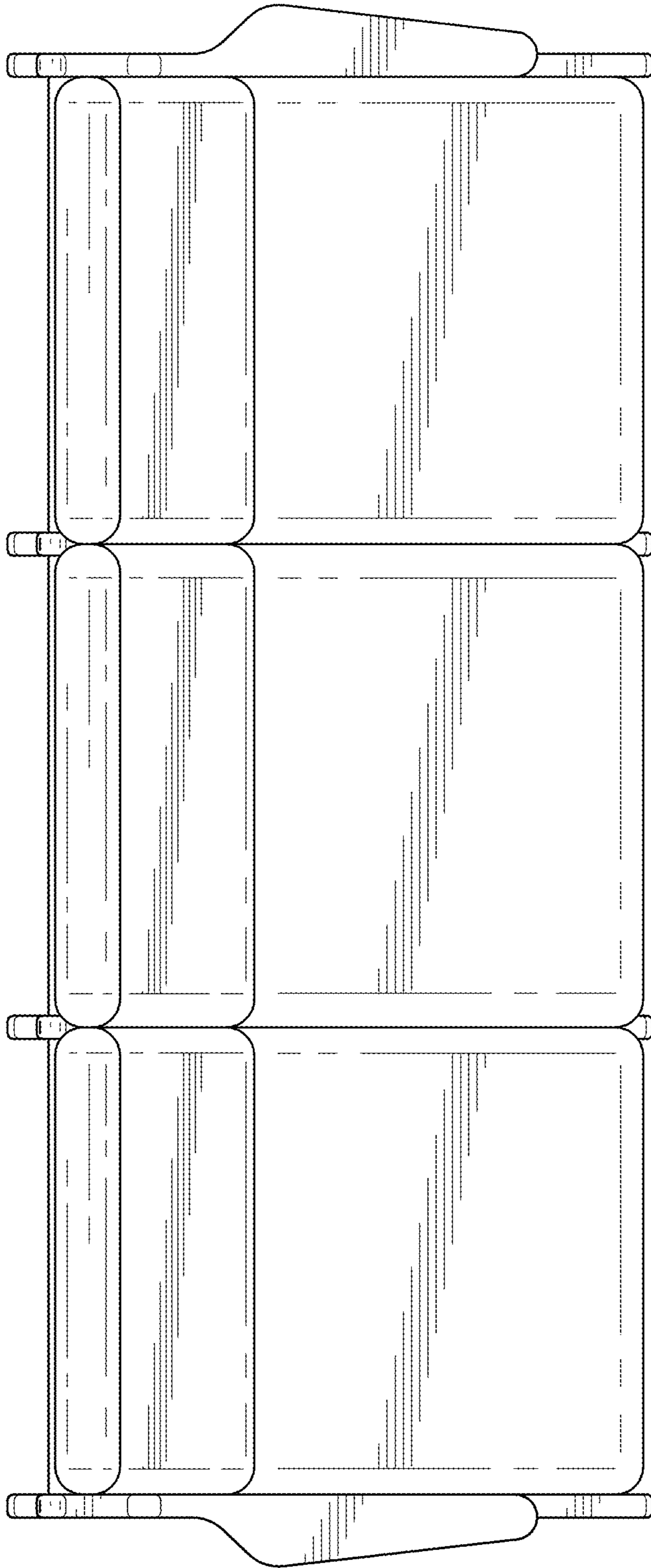


FIG. 21

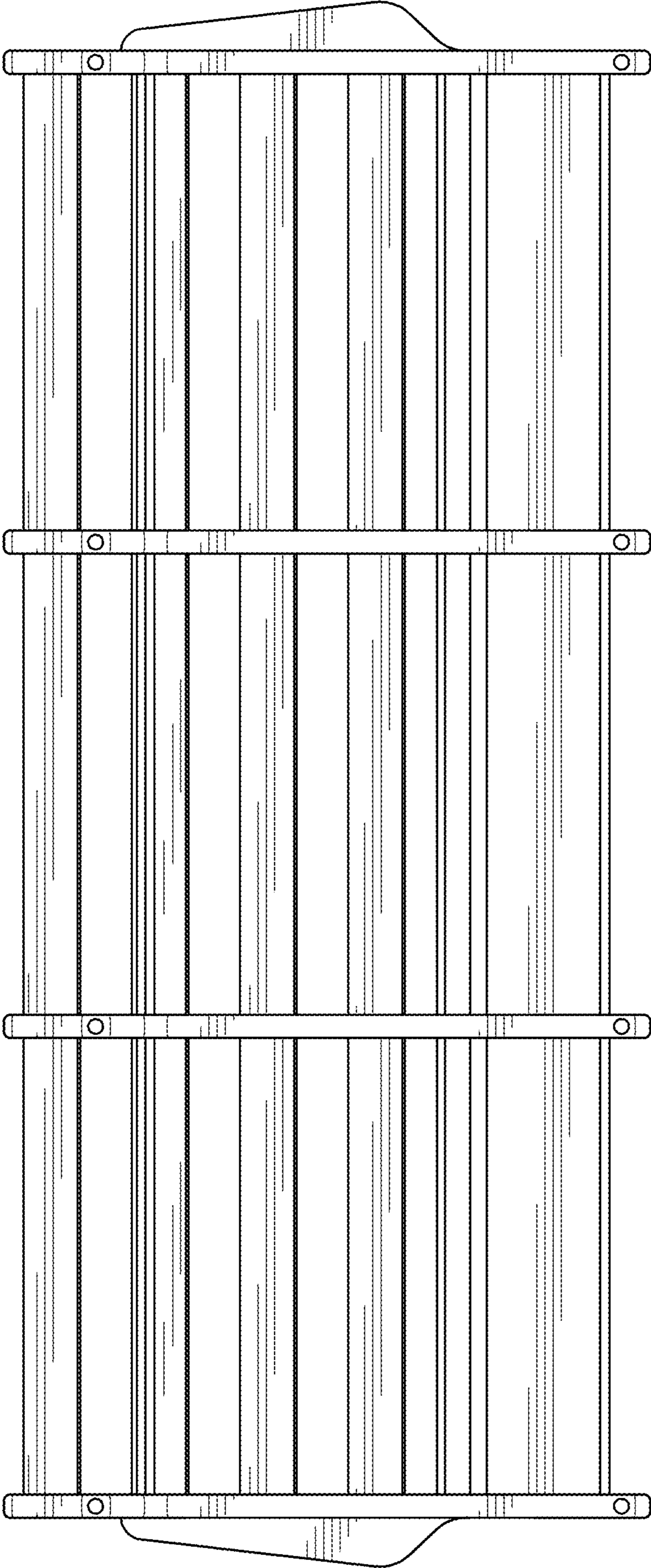


FIG. 22

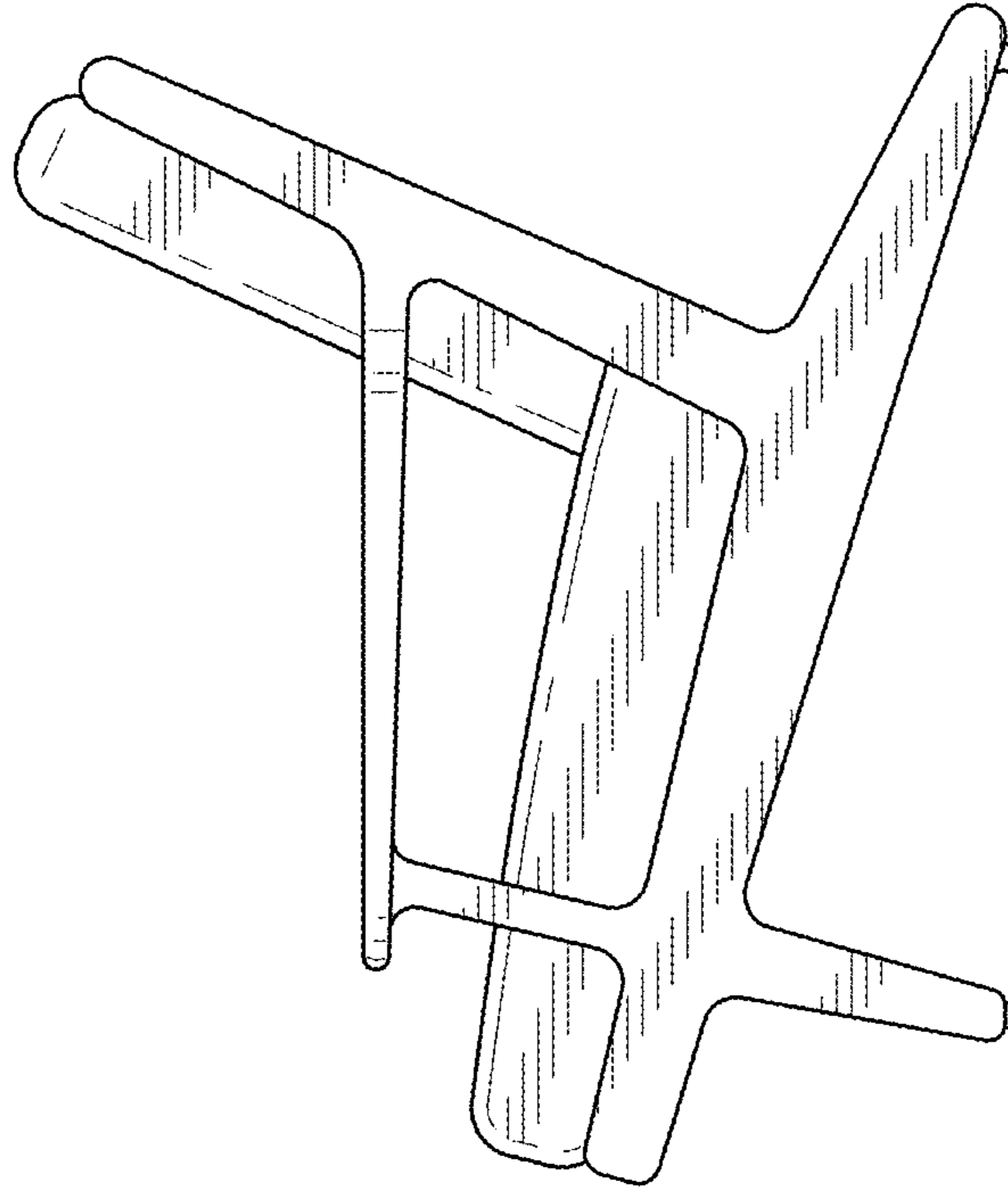


FIG. 24

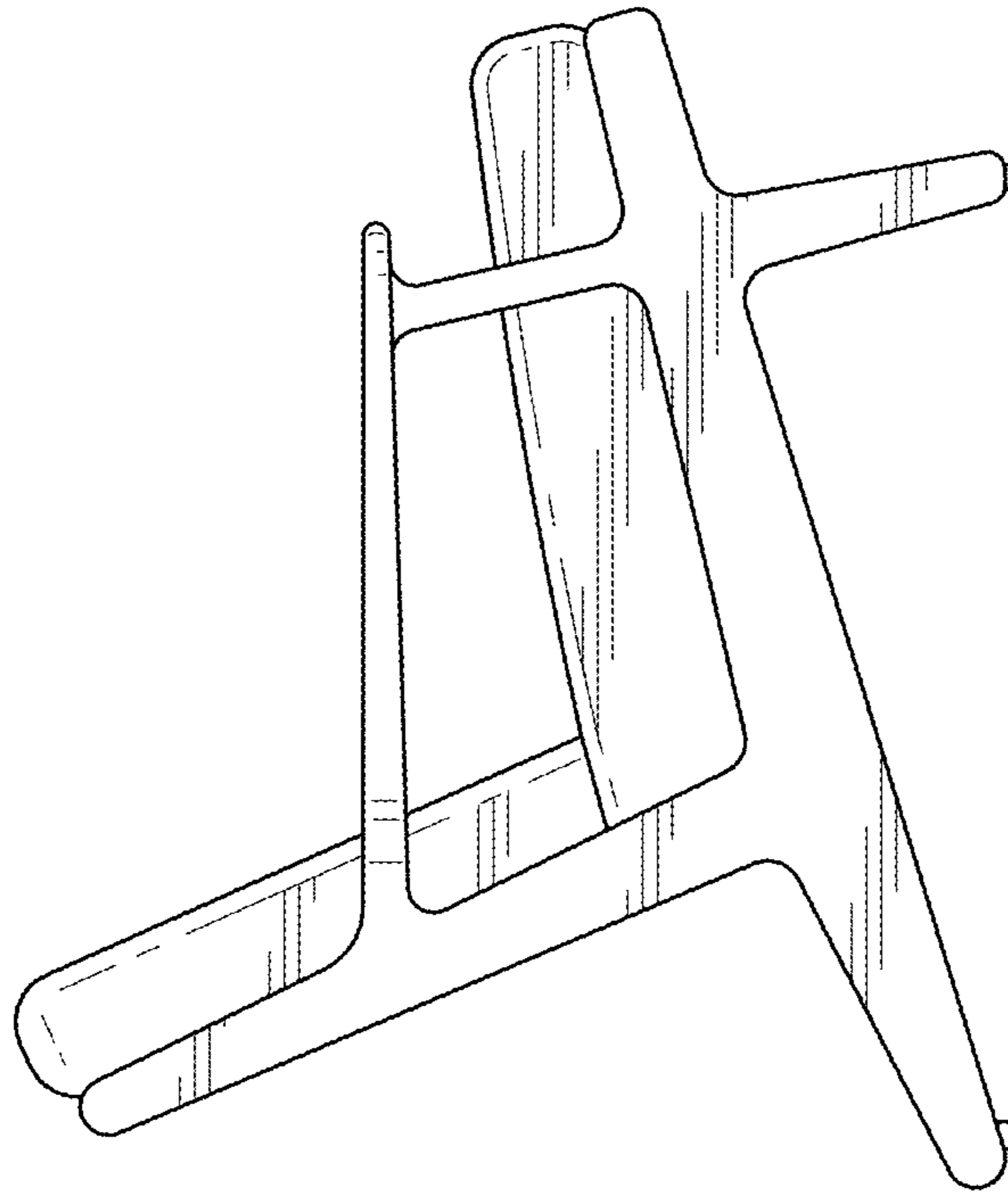


FIG. 23