



US00D792119S

(12) **United States Design Patent** (10) **Patent No.:** **US D792,119 S**
Beckman et al. (45) **Date of Patent:** **** Jul. 18, 2017**

(54) **STOOL**
(71) Applicant: **Target Brands, Inc.**, Minneapolis, MN (US)
(72) Inventors: **Jennifer A. Beckman**, Minneapolis, MN (US); **Douglas Le'Spencer Walker**, Minneapolis, MN (US)
(73) Assignee: **Target Brands, Inc.**, Minneapolis, MN (US)

D557,524 S * 12/2007 Simpson D6/692.4
D606,337 S * 12/2009 Lee D6/349
D681,357 S * 5/2013 Sjostrand D6/349
D740,577 S * 10/2015 Cohen D6/349
D747,904 S * 1/2016 Haynes D6/692
D749,864 S * 2/2016 Cohen D6/352
D762,405 S * 8/2016 Werner D6/690

(**) Term: **15 Years**

(21) Appl. No.: **29/573,076**

(22) Filed: **Aug. 2, 2016**

(51) **LOC (10) Cl.** **06-01**

(52) **U.S. Cl.**
USPC **D6/352**

(58) **Field of Classification Search**
USPC D6/334, 349-355, 363-364, 368-369, D6/374, 403, 685, 692-692.6, 708-708.25
CPC A47C 9/00-9/105; A47C 7/00-7/02; A47C 16/00-16/04; A47B 7/00-7/02; A47B 3/00; A47B 3/02; A47B 3/04; A47B 3/12
See application file for complete search history.

(56) **References Cited**

U.S. PATENT DOCUMENTS

D35,045 S * 9/1901 Stickley D6/692.6
D222,624 S * 11/1971 Gianfagna D6/692.6
D225,501 S * 12/1972 Apple D6/692
D237,929 S * 12/1975 Laylon D6/692
D426,088 S * 6/2000 Hodge D6/692
D461,342 S * 8/2002 Spitler D6/688
D553,414 S * 10/2007 Boutin D6/601

OTHER PUBLICATIONS

Allen End Table. [online] Retrieved May 22, 2017 from URL: <http://www.target.com/p/allenendtablewalnutangelohome/-/A52490542?Ink=recladaptdph1related_prods_vvladaptdph115249054211>.*
Design U.S. Appl. No. 29/573,073 entitled "Table", filed Aug. 2, 2016, 6 pages.

* cited by examiner

Primary Examiner — Vy Koenig

(74) Attorney, Agent, or Firm — Leanne Taveggia Farrell; Westman, Champlin & Koehler, P.A.

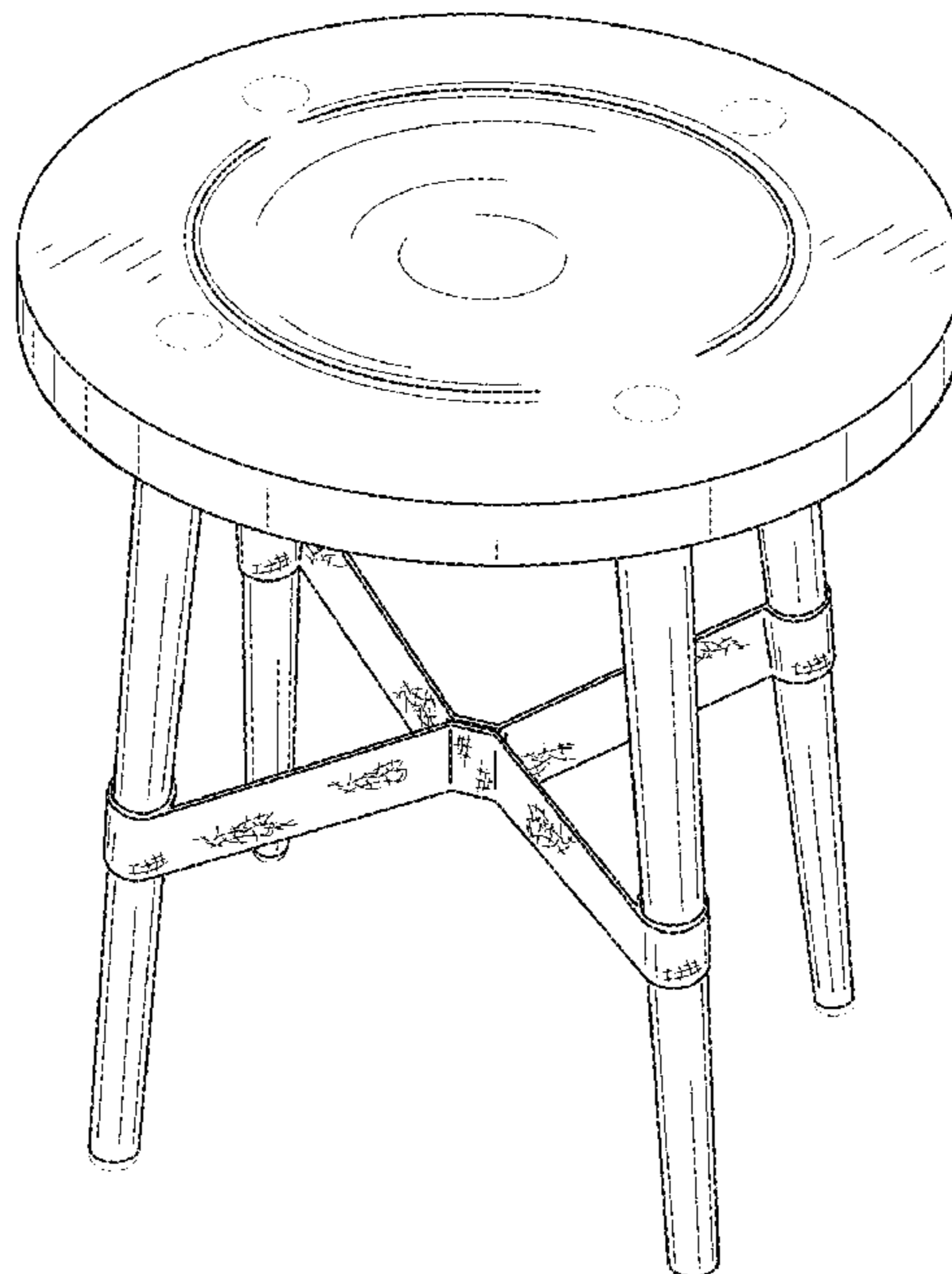
(57) **CLAIM**

The ornamental design for a stool, as shown and described.

DESCRIPTION

FIG. 1 is a perspective view of a stool showing our new design;
FIG. 2 is a front view thereof, the back view being identical;
FIG. 3 is a left side view thereof, the right side view being identical;
FIG. 4 is a top view thereof; and,
FIG. 5 is a bottom view thereof.
The broken lines shown in the drawings are included for purposes of illustrating portions of the stool that form no part of the claimed design.

1 Claim, 5 Drawing Sheets



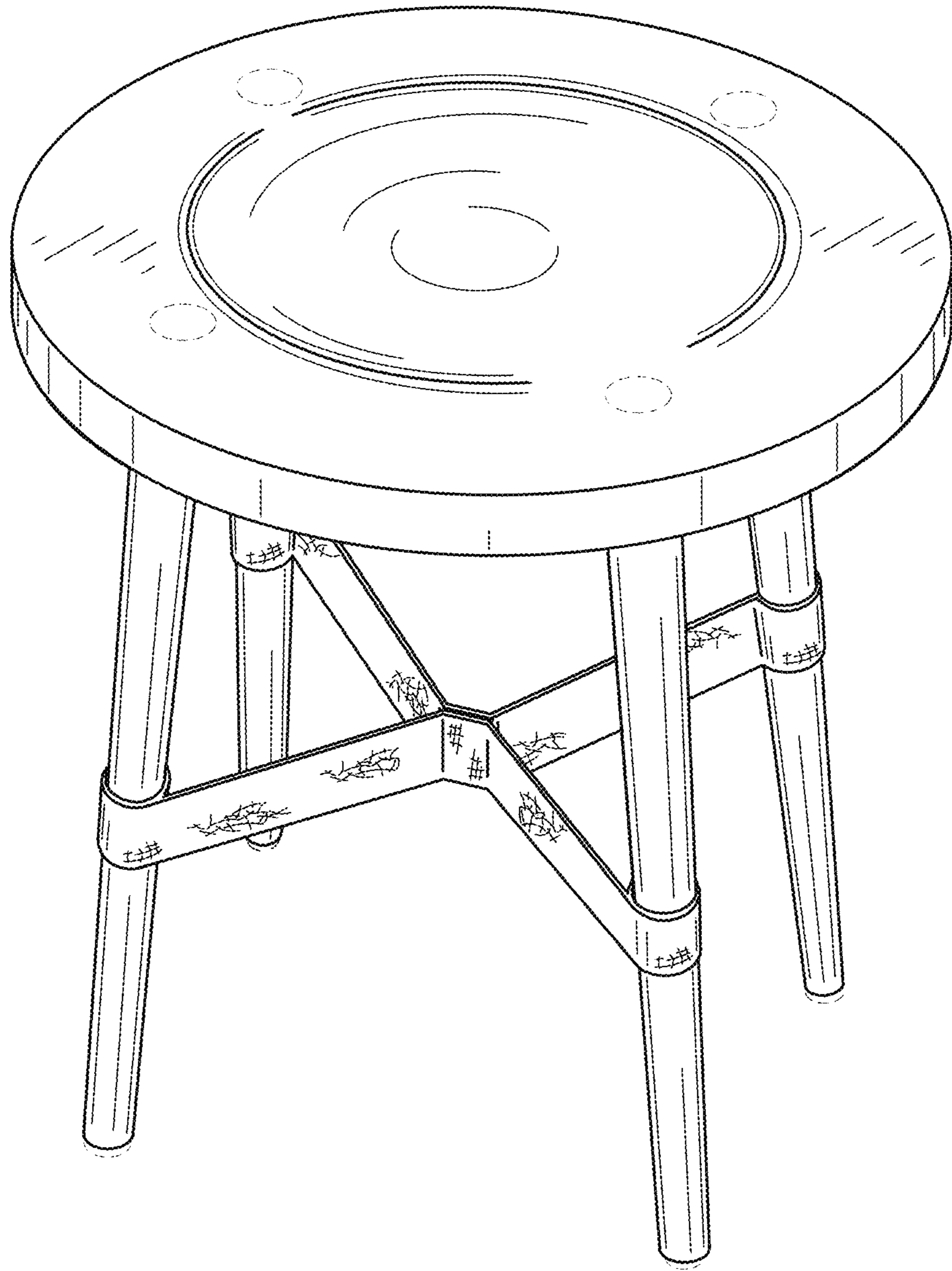


Fig. 1

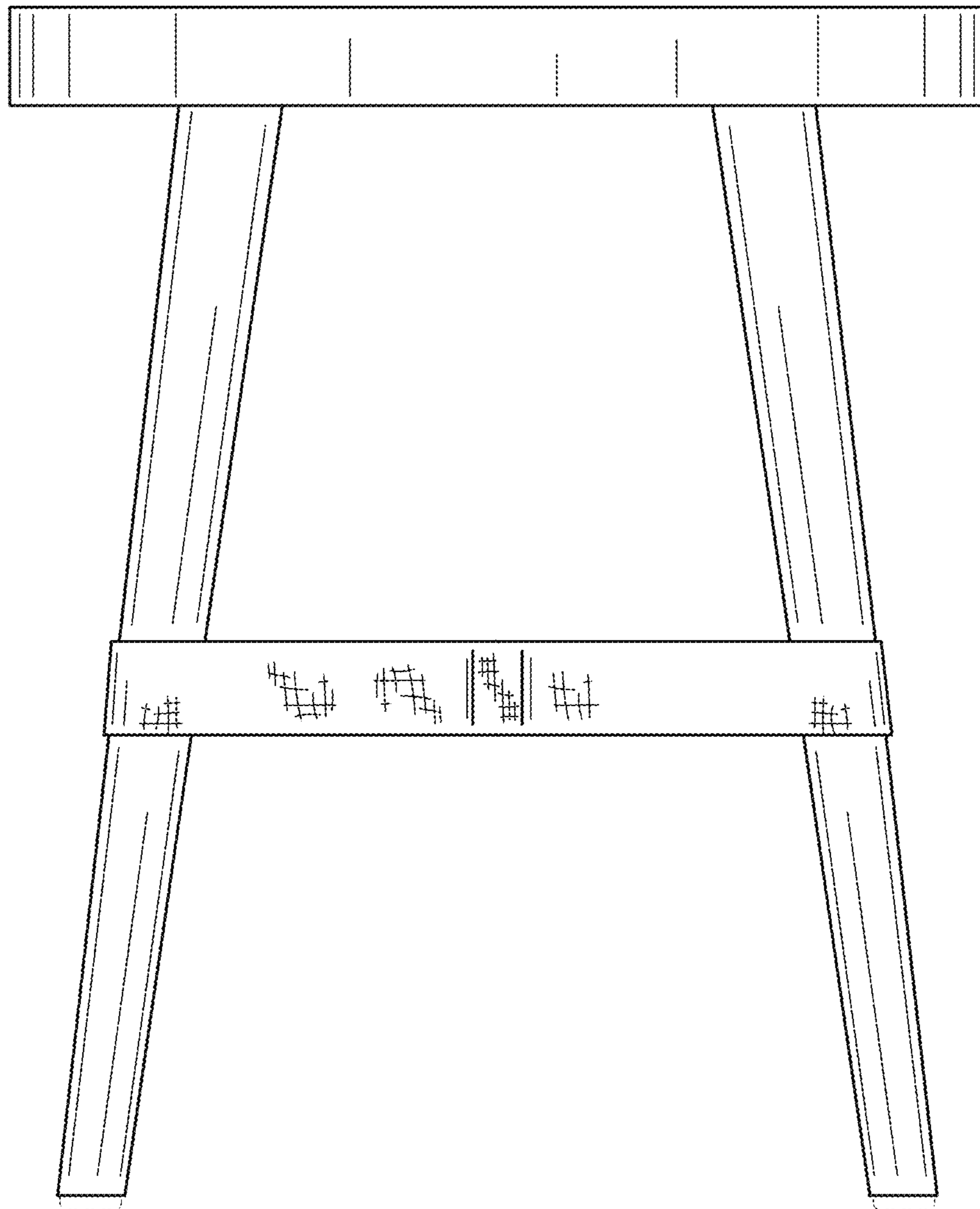


Fig. 2

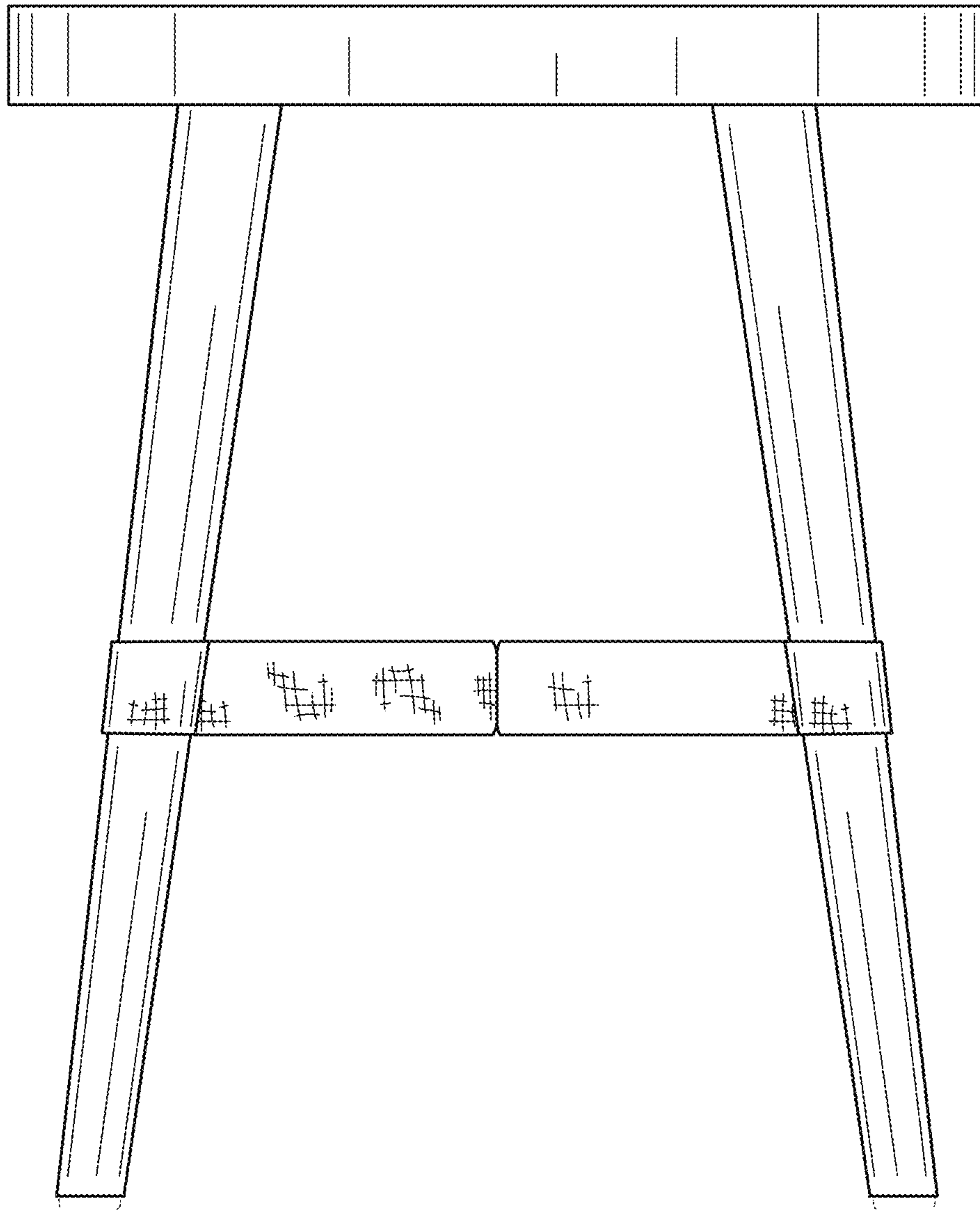


Fig. 3

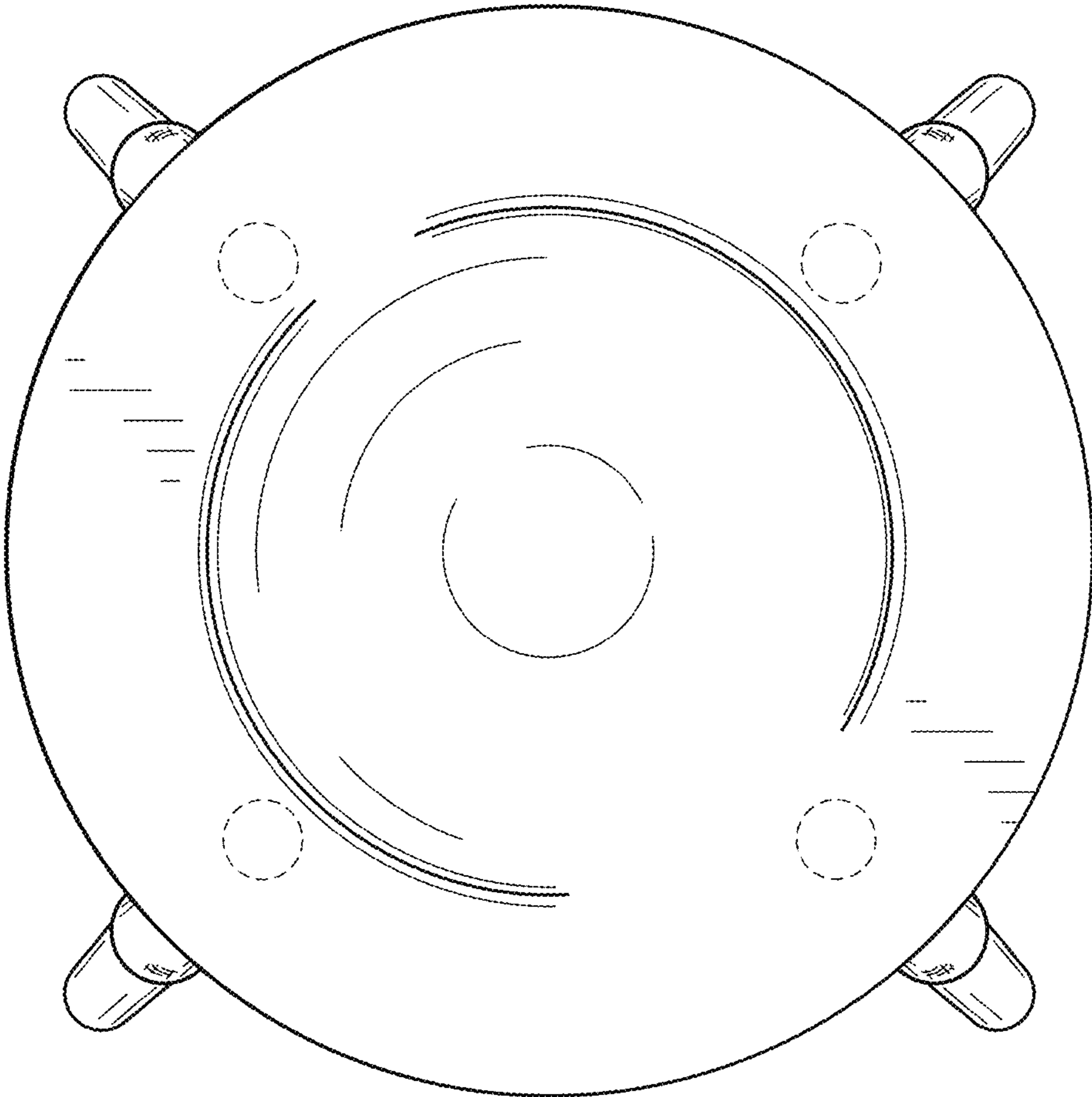


Fig. 4

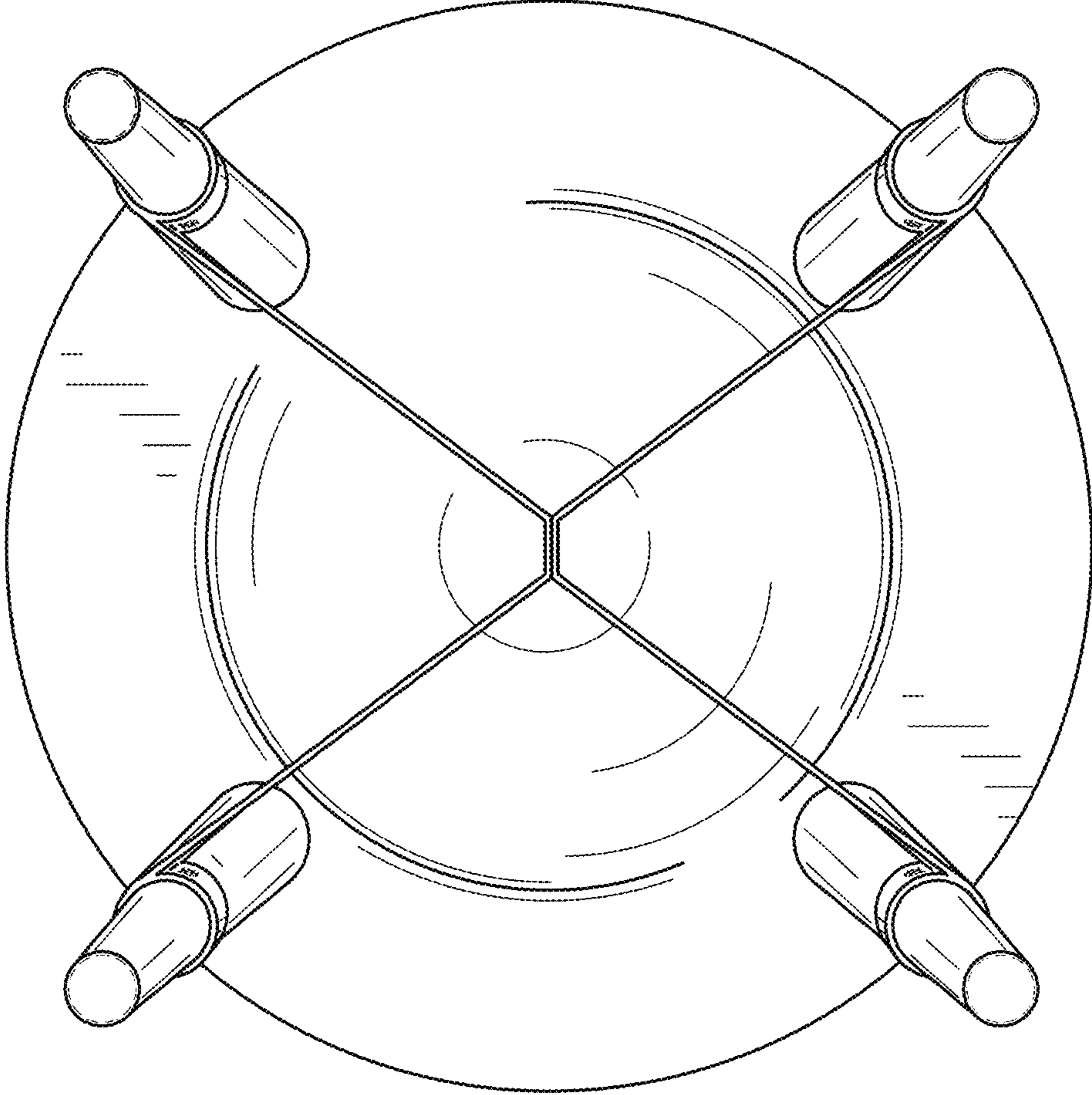


Fig. 5