



US00D792118S

(12) **United States Design Patent**
Winfield

(10) **Patent No.:** **US D792,118 S**
(45) **Date of Patent:** **** Jul. 18, 2017**

- (54) **STEP**
- (71) Applicant: **Gordon Ellis & Company**, Derby (GB)
- (72) Inventor: **Alan Winfield**, Derby (GB)
- (73) Assignee: **Gordon Ellis & Company** (GB)
- (**) Term: **15 Years**
- (21) Appl. No.: **29/527,467**
- (22) Filed: **May 19, 2015**
- (51) **LOC (10) Cl.** **06-01**
- (52) **U.S. Cl.**
USPC **D6/349**
- (58) **Field of Classification Search**
USPC D6/334, 349–355, 363, 360, 368, 374, D6/403, 405, 685, 688.17, 693–693.3, D6/695, 708, 708.15–708.25, 709.11; D25/62–65
CPC A47C 9/00–9/105; A47C 7/00–7/02; A47C 16/00–16/04; A47B 7/00–7/02; A47B 3/00; A47B 3/02; A47B 3/04; A47B 3/12
See application file for complete search history.

- D451,292 S * 12/2001 Cheris D6/349
- 6,966,404 B2 * 11/2005 Meeker A47C 13/00 108/132
- D582,168 S * 12/2008 Sandel D6/349
- D665,180 S * 8/2012 Ekelchik D6/353
- 8,465,100 B2 * 6/2013 Kim A47C 16/025 297/423.41
- D745,286 S * 12/2015 Thibault D6/349
- D770,642 S * 11/2016 Johnson D25/62

- (56) **References Cited**
U.S. PATENT DOCUMENTS
D206,379 S * 12/1966 Good D6/353
D273,252 S * 4/1984 Markson D6/353
D280,052 S * 8/1985 Hypponen D6/349
4,813,742 A * 3/1989 Cardinael A47C 16/02 297/423.41
D307,800 S * 5/1990 Hradisky D25/65
D347,666 S * 6/1994 Hand D21/671
D371,462 S * 7/1996 Grossmith D6/349

OTHER PUBLICATIONS

Gordon Ellis Bigfoot Half Step—Height Adjustable & Slip Resistant Outdoor Step. [online] First available Jul. 4, 2016. Retrieved Mar. 24, 2017 from URL: <<https://www.amazon.co.uk/GordonEllisBigfootHalfStep/dp/B01HY3720G> 2>.*

* cited by examiner

Primary Examiner — Vy Koenig
(74) *Attorney, Agent, or Firm* — Pearne & Gordon LLP

(57) **CLAIM**

The ornamental design for a step, as shown and described.

DESCRIPTION

FIG. 1 is a left-front perspective view of the step from above.

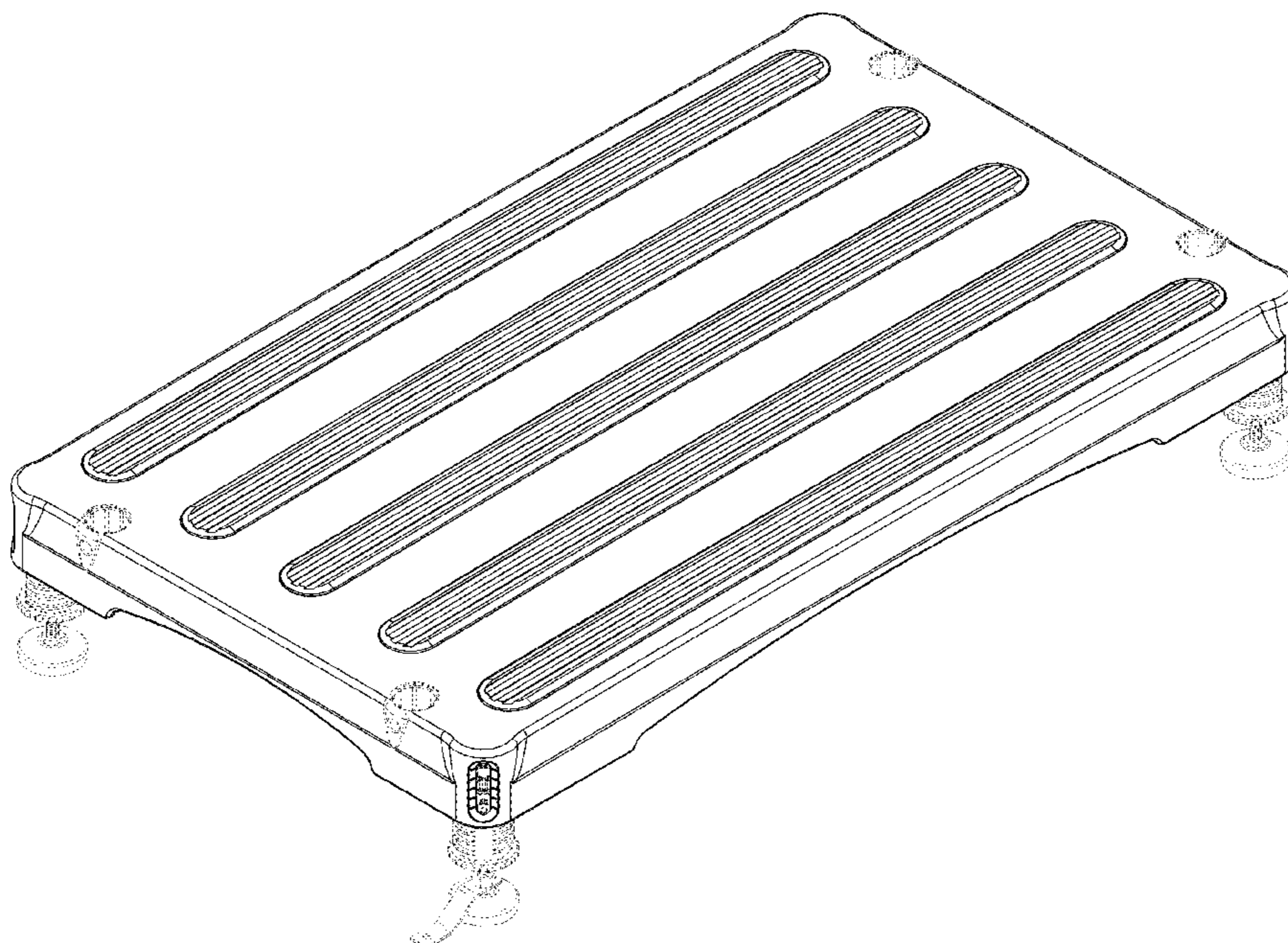
FIG. 2 is a top view of the step.

FIG. 3 is a front view of the step. Other than brackets affixed to feet of the step, which are illustrated in broken lines, the step has front-to-rear mirror-image symmetry; and,

FIG. 4 is a left side view of the step. Other than brackets affixed to feet of the step, which are illustrated in broken lines, the step has left-to-right mirror-image symmetry.

The broken lines in the figures depict portions of the step that form no part of the claimed design.

1 Claim, 4 Drawing Sheets



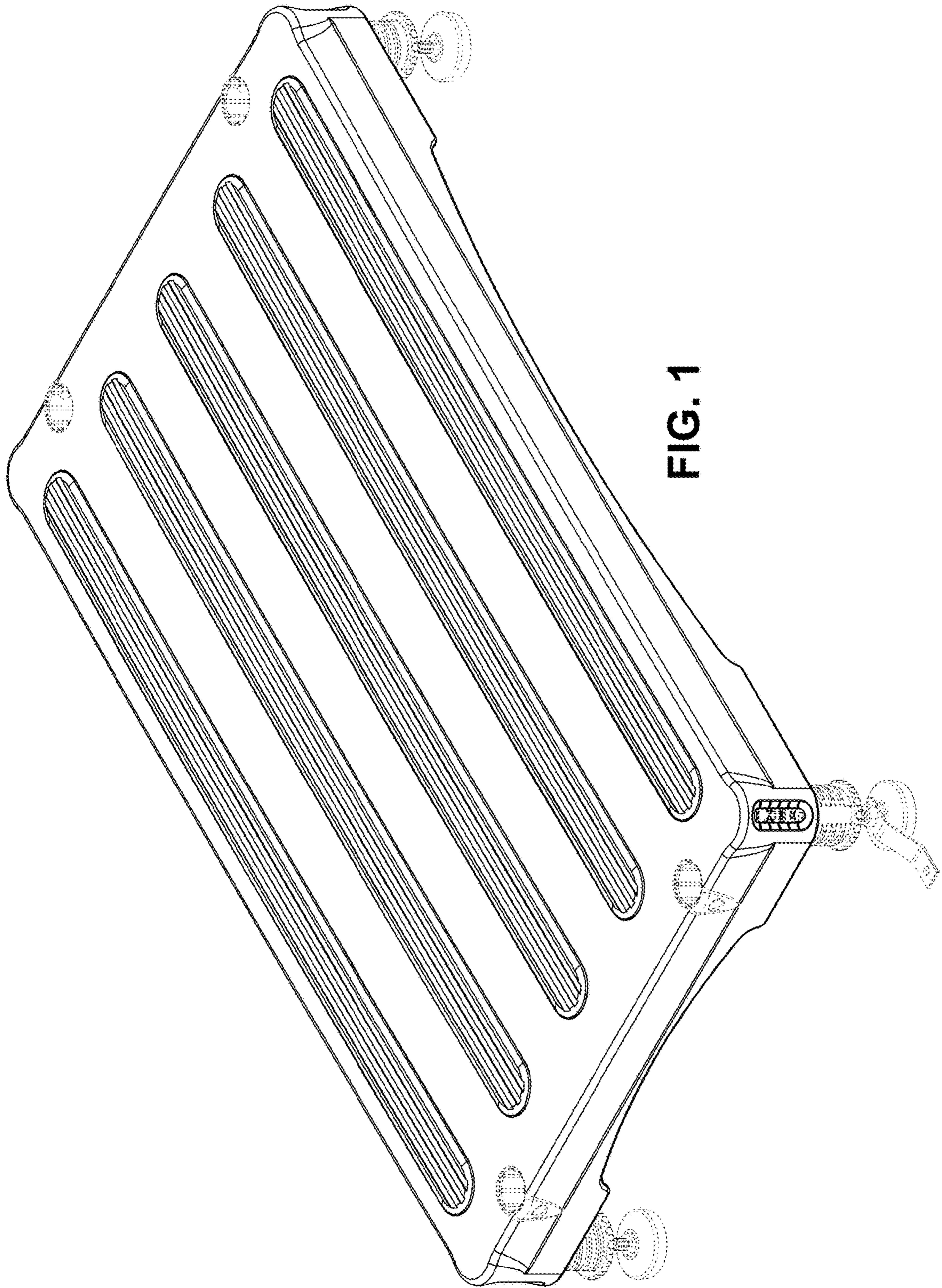


FIG. 1

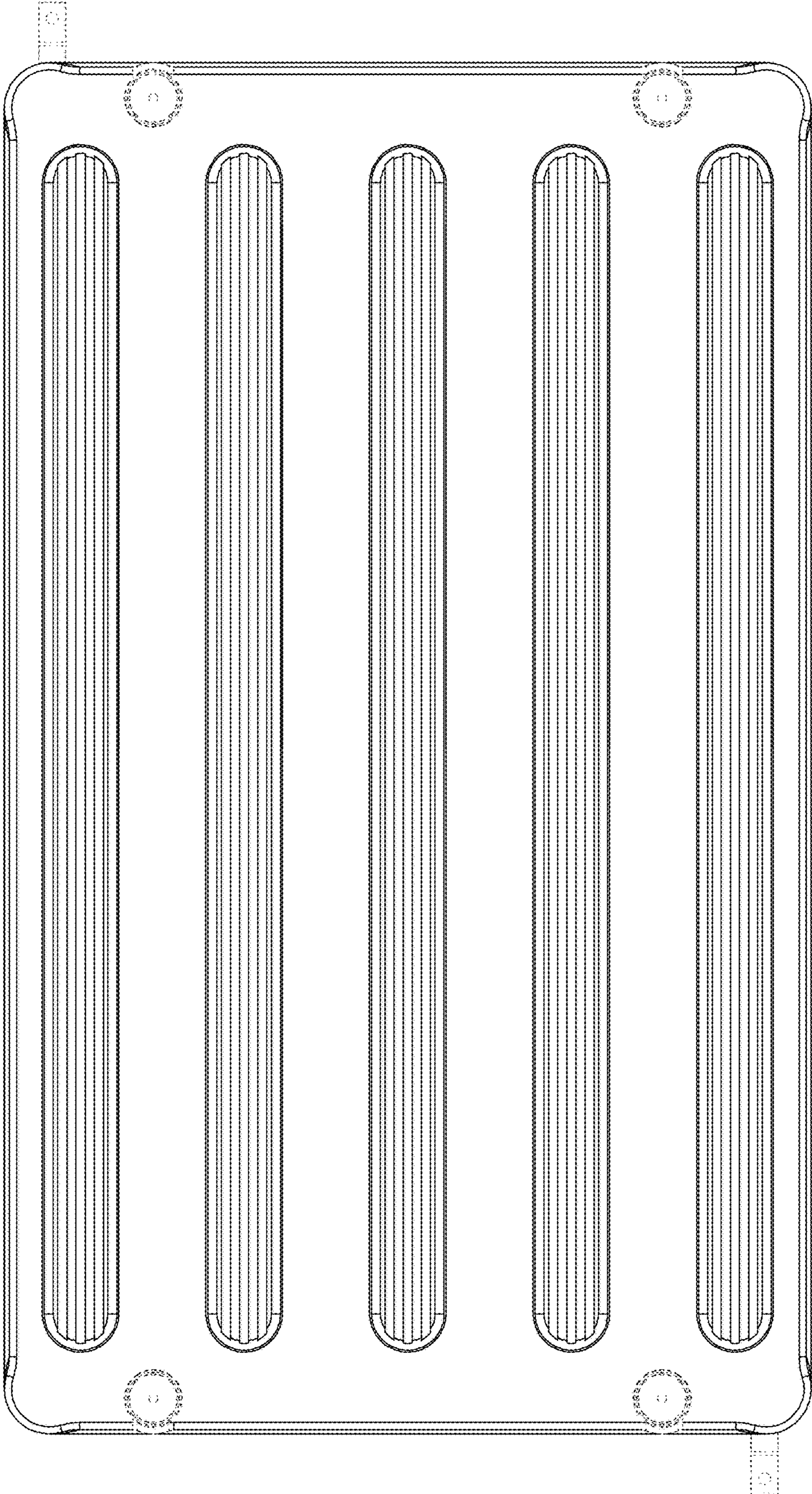


FIG. 2

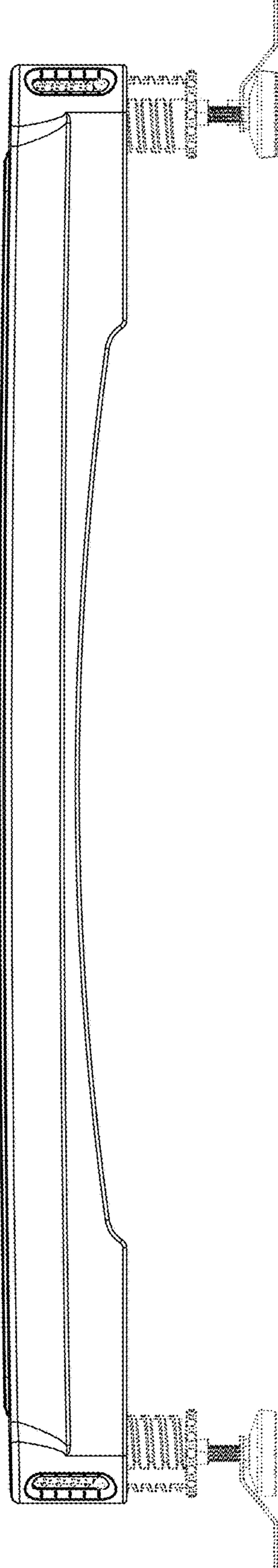


FIG. 3

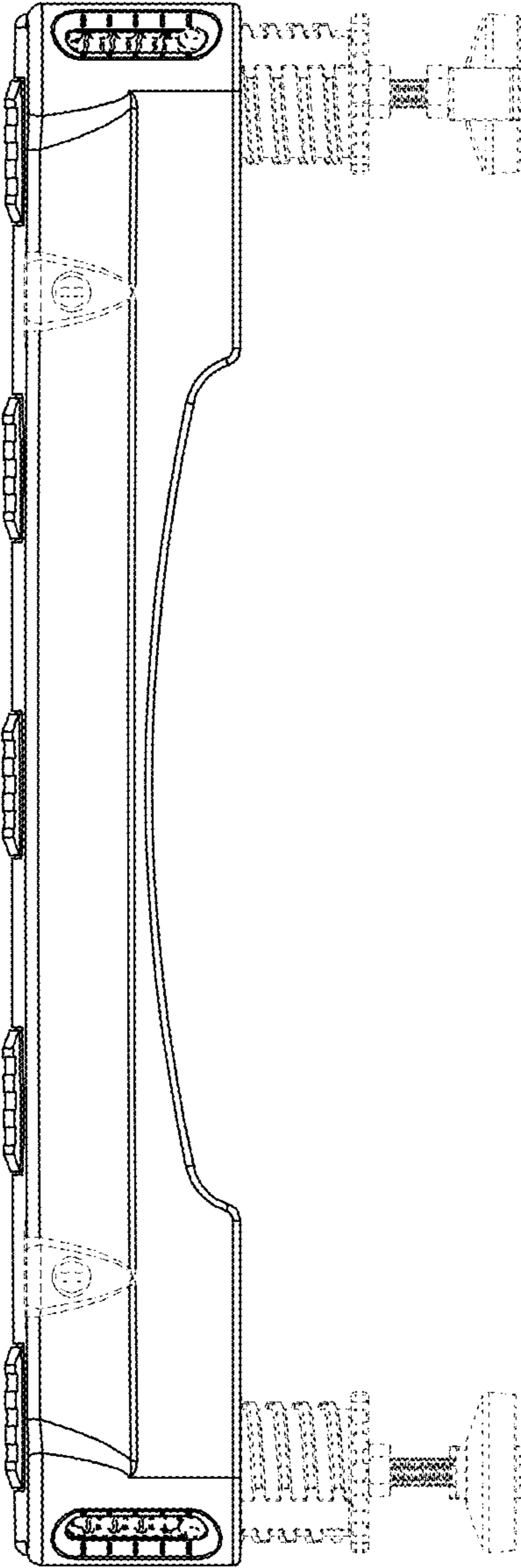


FIG. 4