



US00D792113S

(12) **United States Design Patent** (10) **Patent No.:** **US D792,113 S**
Tsujimoto et al. (45) **Date of Patent:** **** Jul. 18, 2017**

(54) **HEAVY DUTY CLOTHES AND GEAR HANGER**

D605,417 S 12/2009 Warren et al.
D627,980 S 11/2010 Chan
D630,445 S * 1/2011 Crawford D6/319
D642,388 S * 8/2011 Henderson D6/319
D650,176 S 12/2011 Gadsby
(Continued)

(71) Applicant: **The Ontario Knife Company,**
Franklinville, NY (US)

(72) Inventors: **Paul Tsujimoto,** Franklinville, NY
(US); **Deneb Pirrone,** Franklinville, NY
(US); **David Fenske,** Franklinville, NY
(US); **Kenneth Trbovich,** Franklinville,
NY (US)

FOREIGN PATENT DOCUMENTS

EM 000086798-0001 10/2003
EM 000490966-0003 2/2006
(Continued)

(73) Assignee: **THE ONTARIO KNIFE COMPANY,**
Franklinville, NY (US)

OTHER PUBLICATIONS

Scorpius Tactical LLC, Equipment Hanger—Heavy Duty, Jul. 27,
2016, <https://www.scorpiustactical.com/products/equipment-hanger?variant=870909997>.
(Continued)

(**) Term: **15 Years**

(21) Appl. No.: **29/558,422**

(22) Filed: **Mar. 17, 2016**

(51) **LOC (10) Cl.** **06-08**

(52) **U.S. Cl.**
USPC **D6/319**

(58) **Field of Classification Search**
USPC D6/315–328; 223/85–98; 211/1, 10,
211/13.1, 85.3, 113
CPC A47G 25/26; A47G 25/28; A47G 25/30;
A47G 25/32; A47G 25/34; A47G 25/36;
A47G 25/38; A47G 25/442; A47G
25/625; A47G 25/743; A47G 25/1407;
A47G 25/1457; A47G 2025/1492; A47F
7/18; A47F 7/19; A47F 7/22
See application file for complete search history.

Primary Examiner — Derrick Holland
Assistant Examiner — Lauren Calve
(74) *Attorney, Agent, or Firm* — Bond, Schoeneck &
King PLLC

(57) **CLAIM**

The ornamental design for a heavy duty clothes and gear hanger, as shown and described.

DESCRIPTION

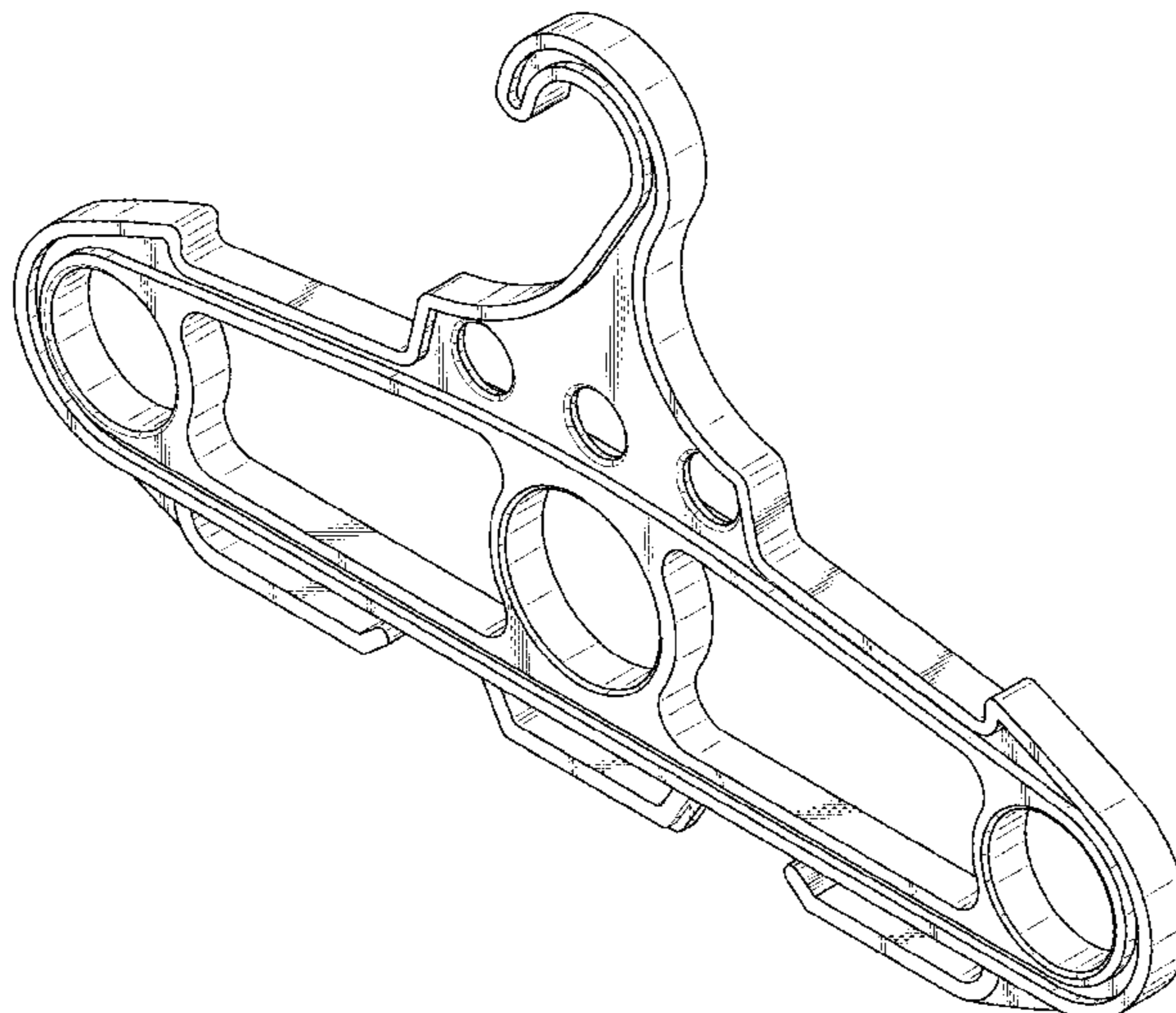
FIG. 1 is a front perspective view of a heavy duty clothes and gear hanger according to the invention; FIG. 2 is a front elevational view thereof; FIG. 3 is a top plan view thereof; FIG. 4 is a rear elevational view thereof; FIG. 5 is a bottom plan view thereof; FIG. 6 is a left side elevational view thereof; and, FIG. 7 is a right side elevational view thereof. The broken lines shown represent unclaimed subject matter and form no part of the claimed design.

(56) **References Cited**

U.S. PATENT DOCUMENTS

D201,936 S 8/1965 Charak
D206,200 S * 11/1966 Ogg 223/91
D355,771 S * 2/1995 Adams D6/318
D445,265 S * 7/2001 Yost D6/319
D504,577 S 5/2005 Mann
D591,058 S 4/2009 Patel

1 Claim, 4 Drawing Sheets



(56)

References Cited

U.S. PATENT DOCUMENTS

D650,594 S * 12/2011 Rubino D6/319
2012/0043356 A1 * 2/2012 Rubino A47G 25/183
223/85

FOREIGN PATENT DOCUMENTS

EM	001002778-0001	9/2008
EM	001002778-0002	9/2008
EM	001002778-0003	9/2008
EM	002806935-0001	10/2015
EM	002806935-0002	10/2015
EM	002806935-0003	10/2015
EM	002806935-0004	10/2015
EM	002806935-0005	10/2015
EM	002806935-0006	10/2015
ES	I0107263	10/1984
FR	93209-0001	10/1968

OTHER PUBLICATIONS

E-Bloom-Rakuten Global Market, Yamato Industrial Arts Stylish
Wooden Hanger "Hanger Type a with Accessory" YK10-114-
2fs3gm, Jul. 27, 2016, <http://global.rakuten.com/en/store/e-bloomstore/item/others-yk10-114-2/>.

* cited by examiner

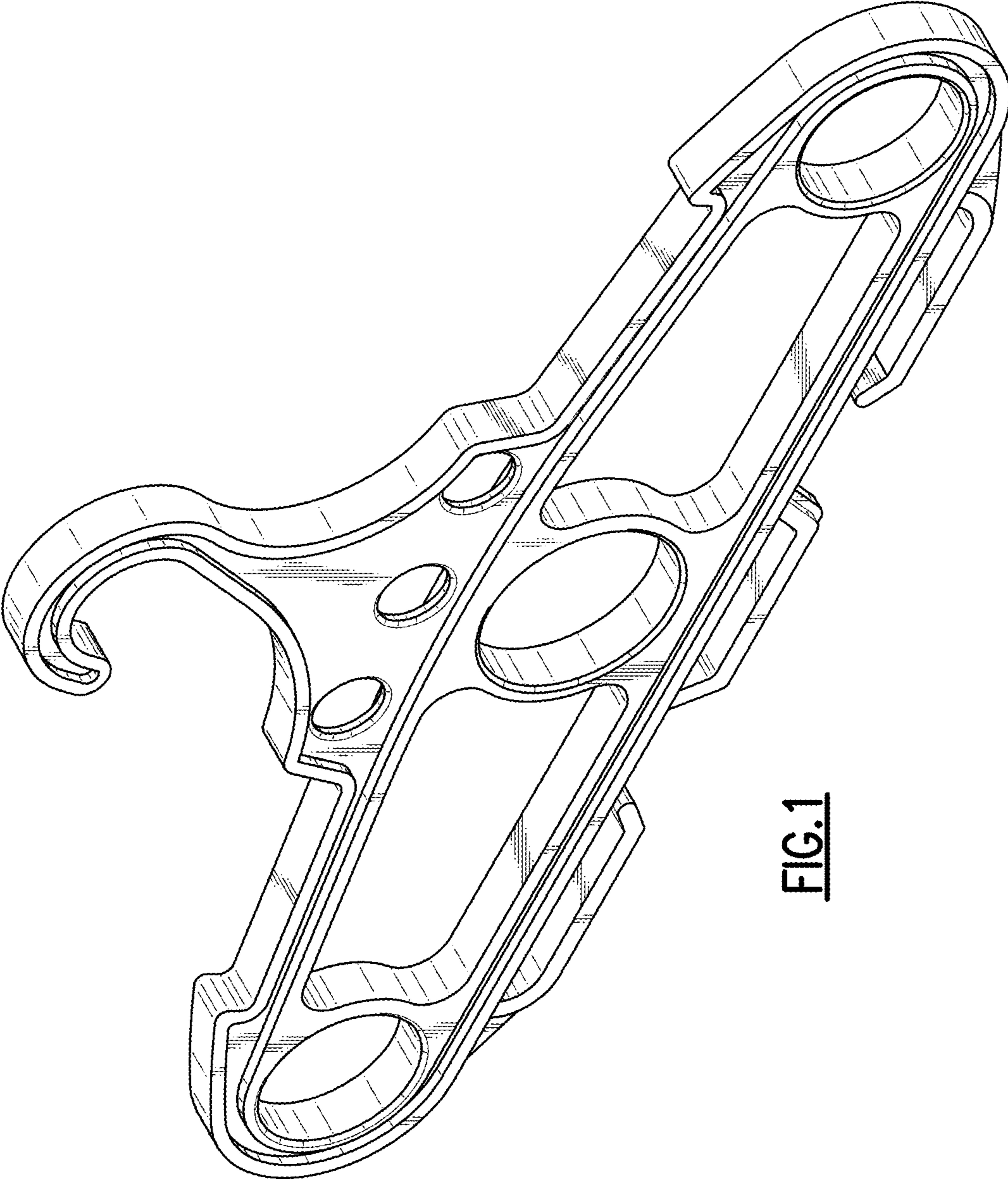


FIG. 1

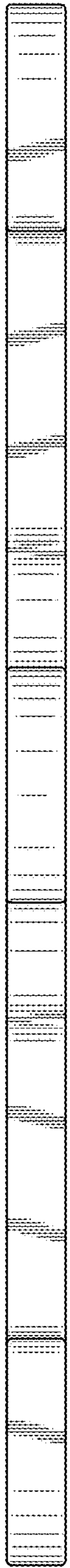


FIG. 3

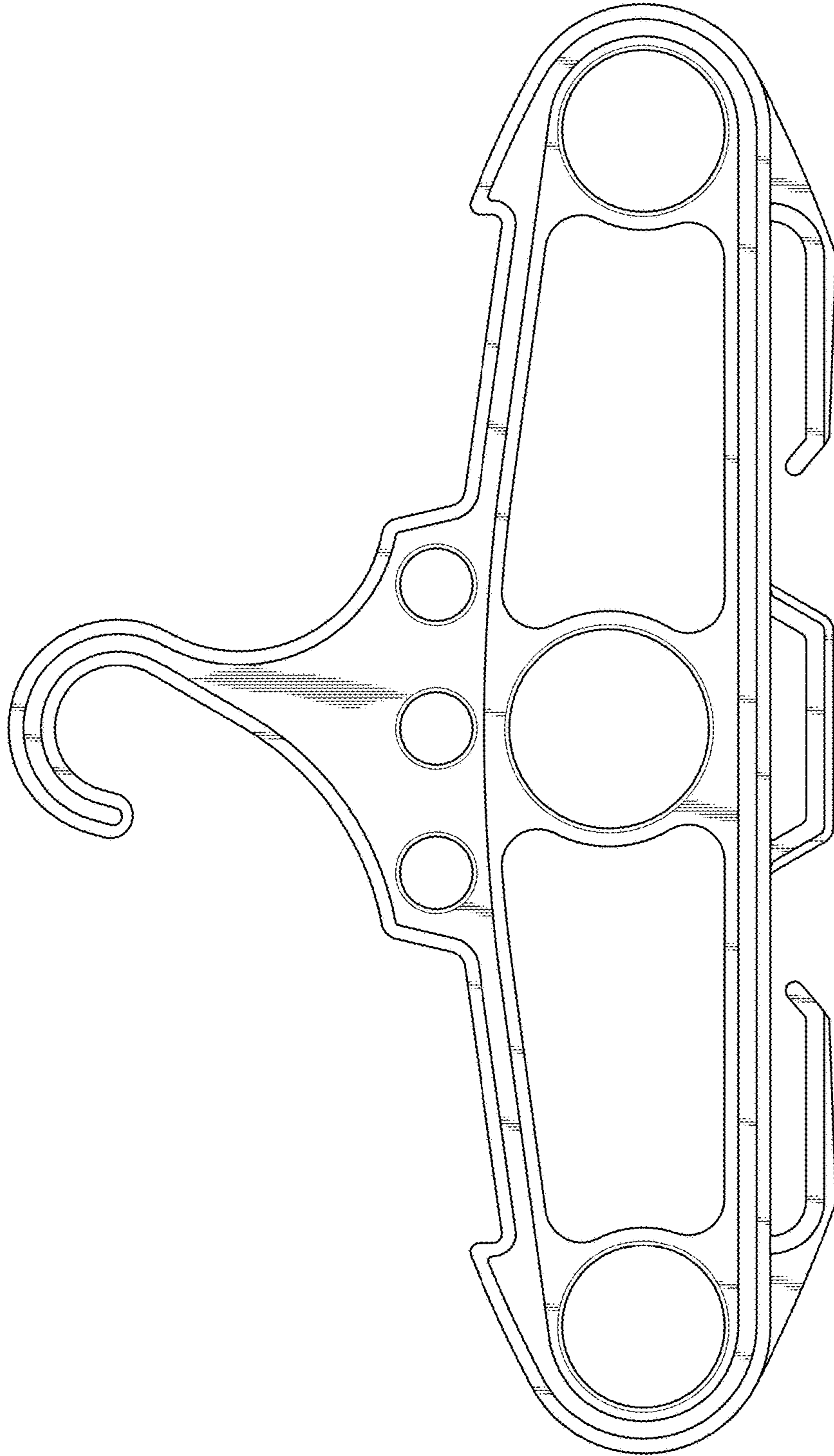


FIG. 2

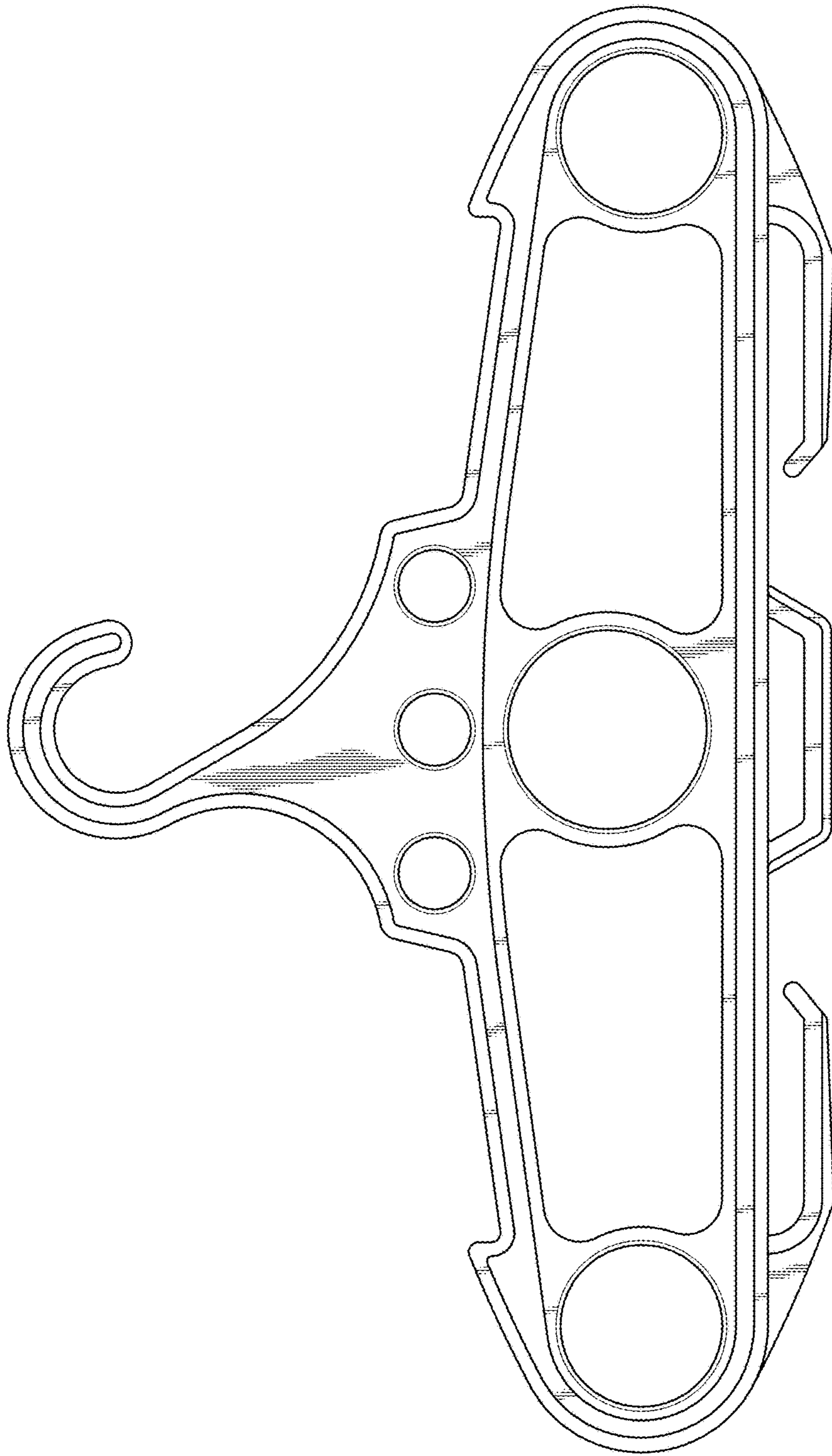


FIG. 4



FIG. 5



FIG. 6



FIG. 7