



US00D792108S

(12) **United States Design Patent**
Lolis

(10) **Patent No.:** **US D792,108 S**
(45) **Date of Patent:** **** Jul. 18, 2017**

(54) **TOOTH AND GUM BRUSH**
(71) Applicant: **Steve Lolis**, Westwood, NJ (US)
(72) Inventor: **Steve Lolis**, Westwood, NJ (US)
(**) Term: **15 Years**
(21) Appl. No.: **29/578,100**
(22) Filed: **Sep. 19, 2016**
(51) **LOC (10) Cl.** **04-02**
(52) **U.S. Cl.**
USPC **D4/106**
(58) **Field of Classification Search**
USPC D4/104, 105, 106, 110, 138
CPC A46B 2200/1006; A46B 2200/108; A46B
2200/1026; A46B 5/02; A46B 5/021;
A46B 5/0012; A46B 5/16; A46B 5/0025;
A46B 7/02; A46B 9/02; A46B 9/04;
A46B 9/045
See application file for complete search history.

D401,416 S * 11/1998 Vrignaud D4/106
D401,417 S * 11/1998 Vrignaud D4/106
D401,418 S * 11/1998 Vrignaud D4/106
5,934,762 A * 8/1999 Vrignaud A46B 5/0012
15/106
D485,440 S * 1/2004 Snaith D4/106
D485,441 S * 1/2004 Lolis D4/106
7,036,180 B2 * 5/2006 Hanlon A46B 9/026
15/106
D525,433 S * 7/2006 Barman D4/105
7,441,300 B2 * 10/2008 Chu A46B 9/04
15/167.1
D637,002 S * 5/2011 Barman D4/101
2002/0157202 A1 * 10/2002 Hartel A46B 5/0025
15/167.2
2011/0078867 A1 * 4/2011 Liangco A46B 7/02
15/167.2
2013/0067670 A1 * 3/2013 Liangco A46B 9/045
15/167.2

FOREIGN PATENT DOCUMENTS

KR 300869827.0000 * 8/2016
* cited by examiner

Primary Examiner — Karen E Eldridge Powers

(56) **References Cited**
U.S. PATENT DOCUMENTS

569,870 A * 10/1896 Hamilton 15/167.1
D47,100 S * 3/1915 Boccia D4/106
1,389,624 A * 9/1921 Carroll A46B 5/0012
15/167.2
1,707,118 A * 3/1929 Goldberg A46B 9/045
15/110
2,095,741 A * 10/1937 Hachman A46B 5/0016
132/310
2,807,820 A * 10/1957 Dinhofer A46B 7/04
15/110
D324,310 S * 3/1992 Barman D4/106
D372,586 S * 8/1996 Quintanilla D4/105
D374,351 S * 10/1996 van Kempen D4/105
D386,315 S * 11/1997 Vrignaud D4/106
D389,313 S * 1/1998 Lolis D4/106
D401,414 S * 11/1998 Vrignaud D4/106
D401,415 S * 11/1998 Vrignaud D4/106

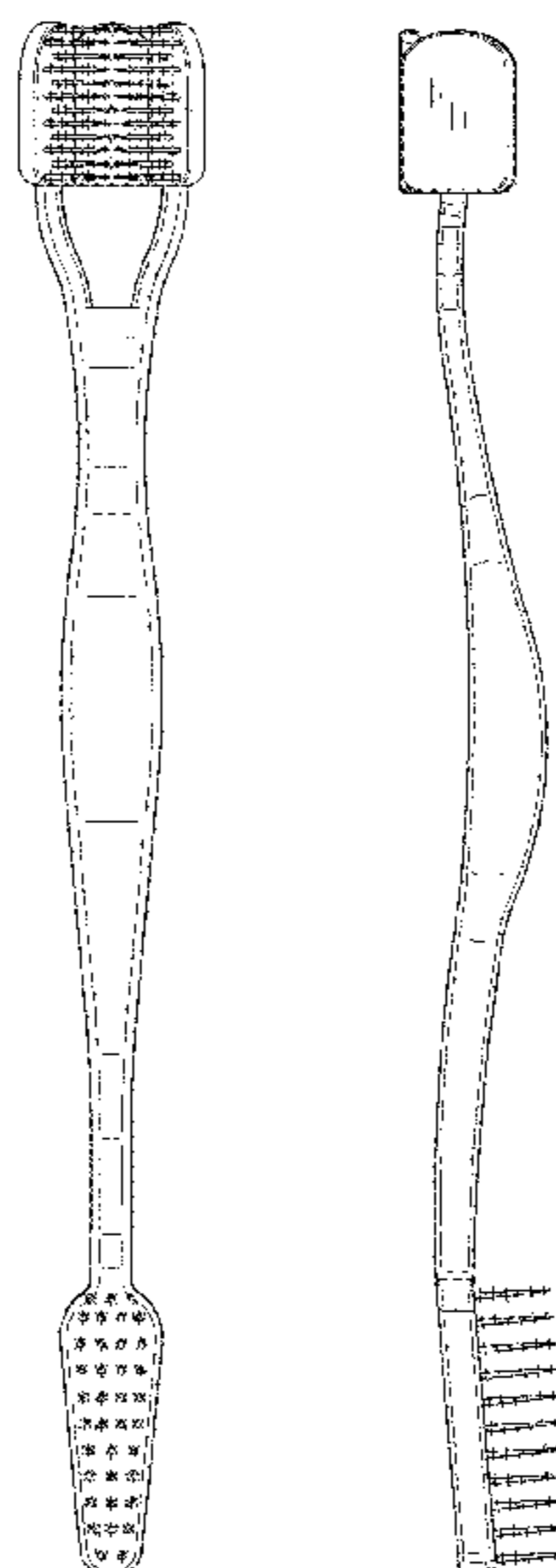
(57) **CLAIM**

The ornamental design for a tooth and gum brush, as shown and described.

DESCRIPTION

FIG. 1 is a front elevational view of a tooth and gum brush showing my new design.
FIG. 2 is a rear elevational view thereof.
FIG. 3 is a left side elevational view thereof. The right side is a mirror image of the left side.
FIG. 4 is a top view thereof;
FIG. 5 is a bottom view thereof.
FIG. 6 is an enlargement of FIG. 4; and,
FIG. 7 is an enlargement of FIG. 5.

1 Claim, 3 Drawing Sheets



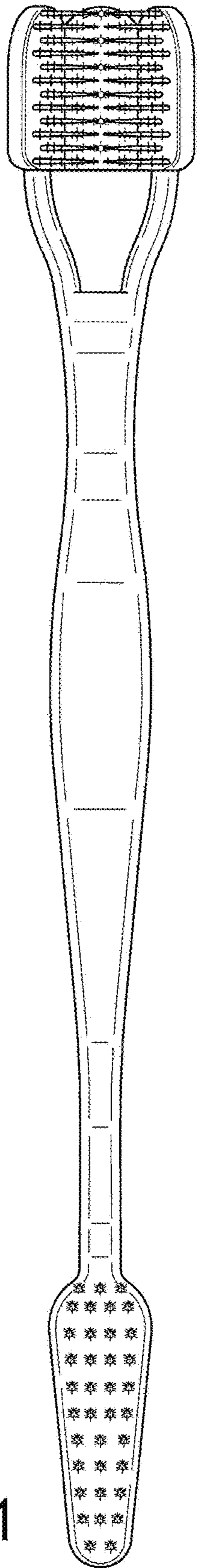


FIG. 1

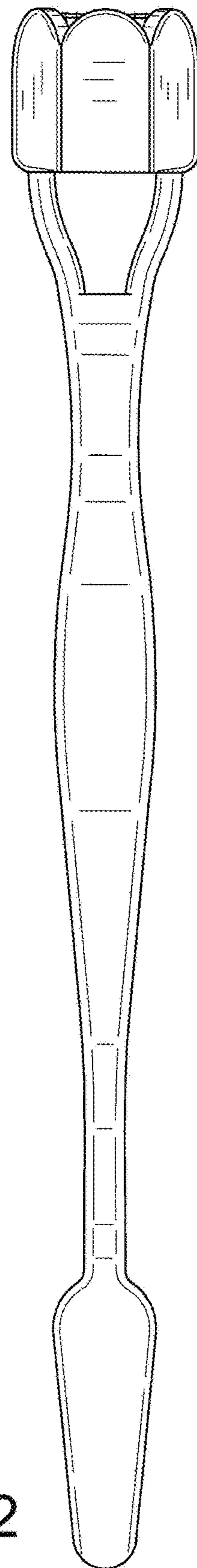


FIG. 2

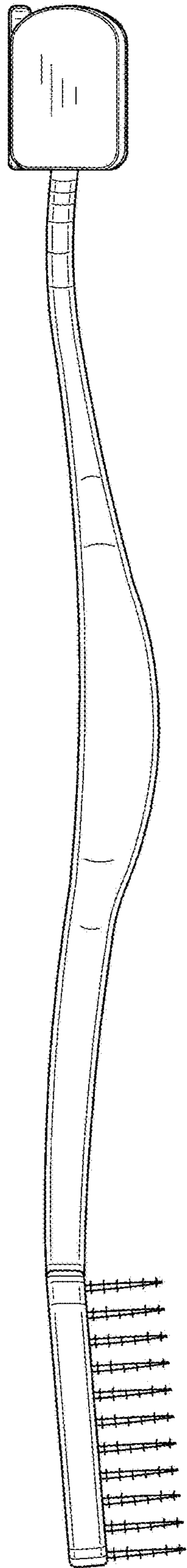


FIG. 3

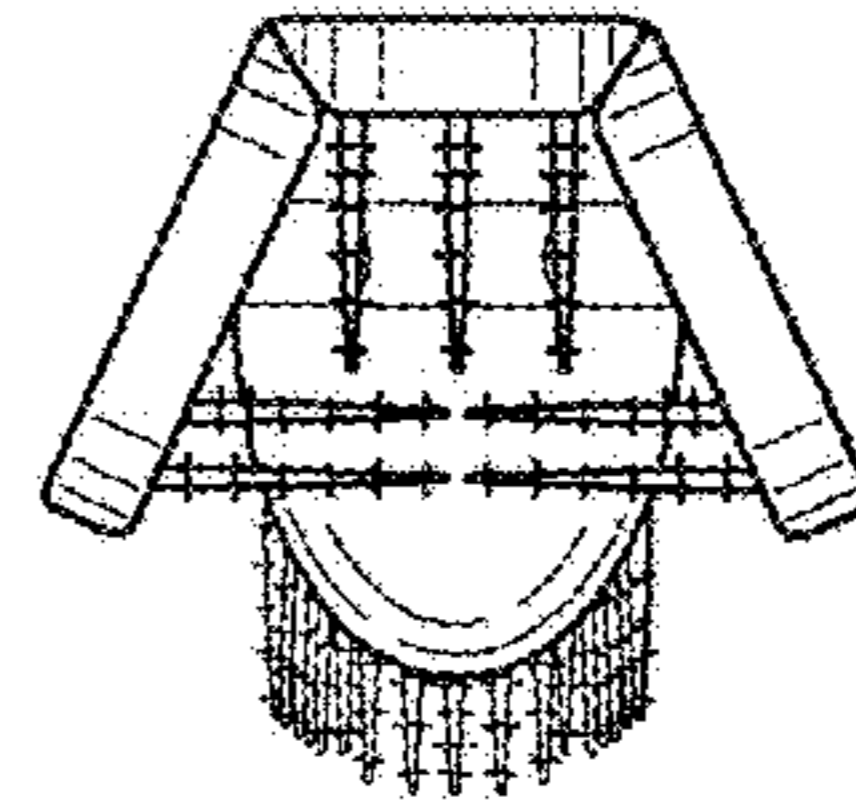


FIG. 4

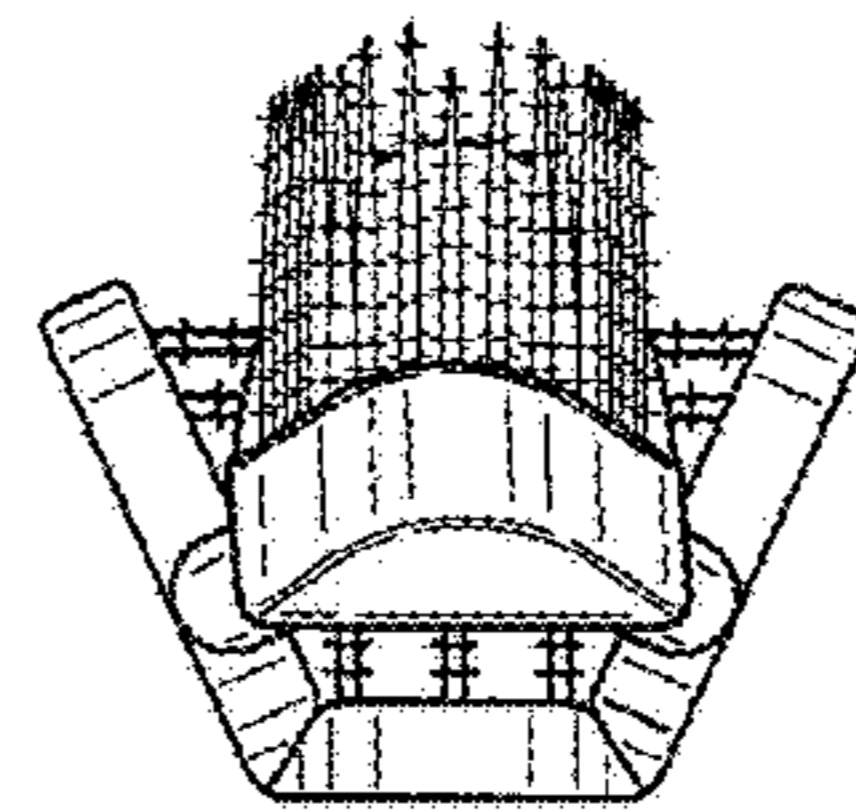


FIG. 5

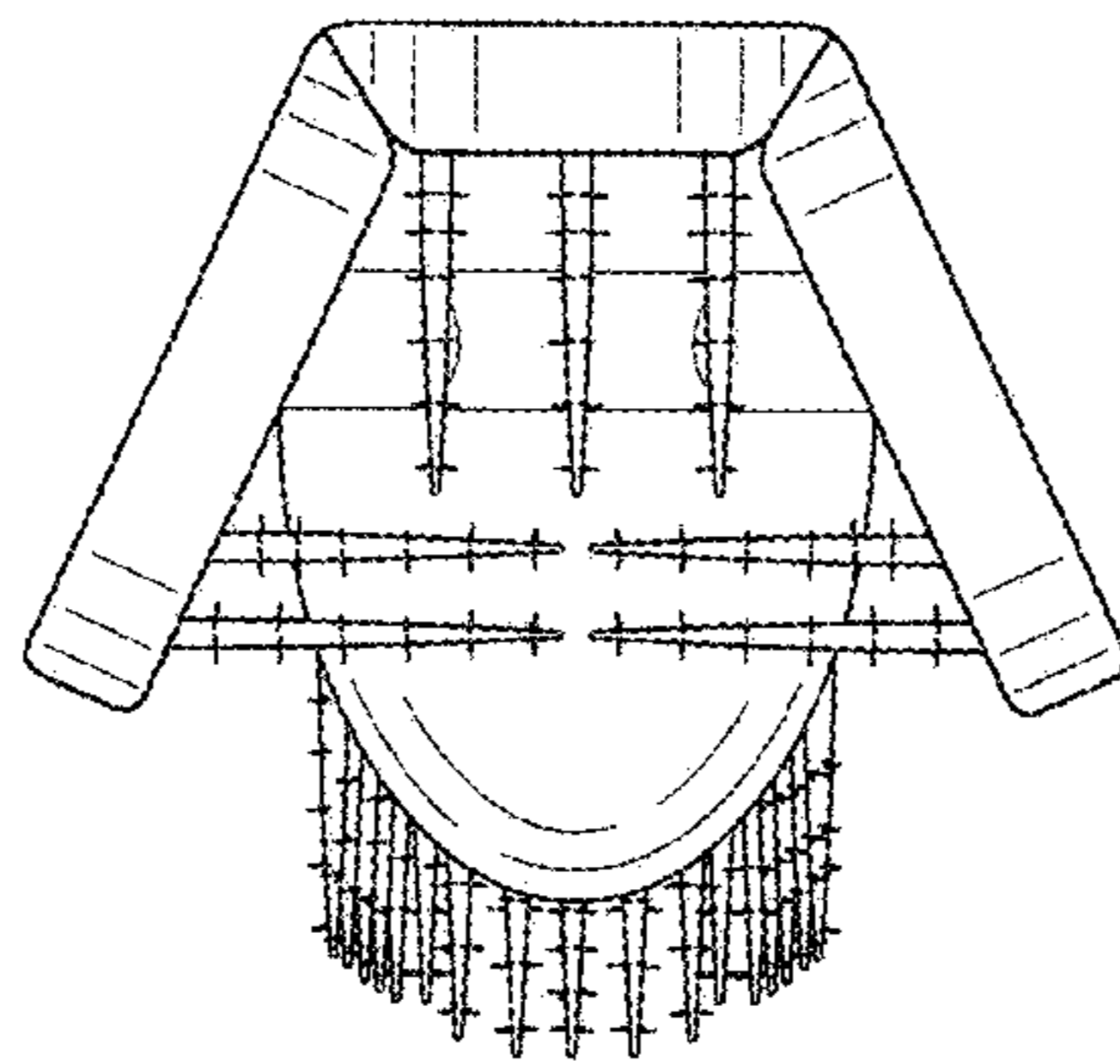


FIG. 6

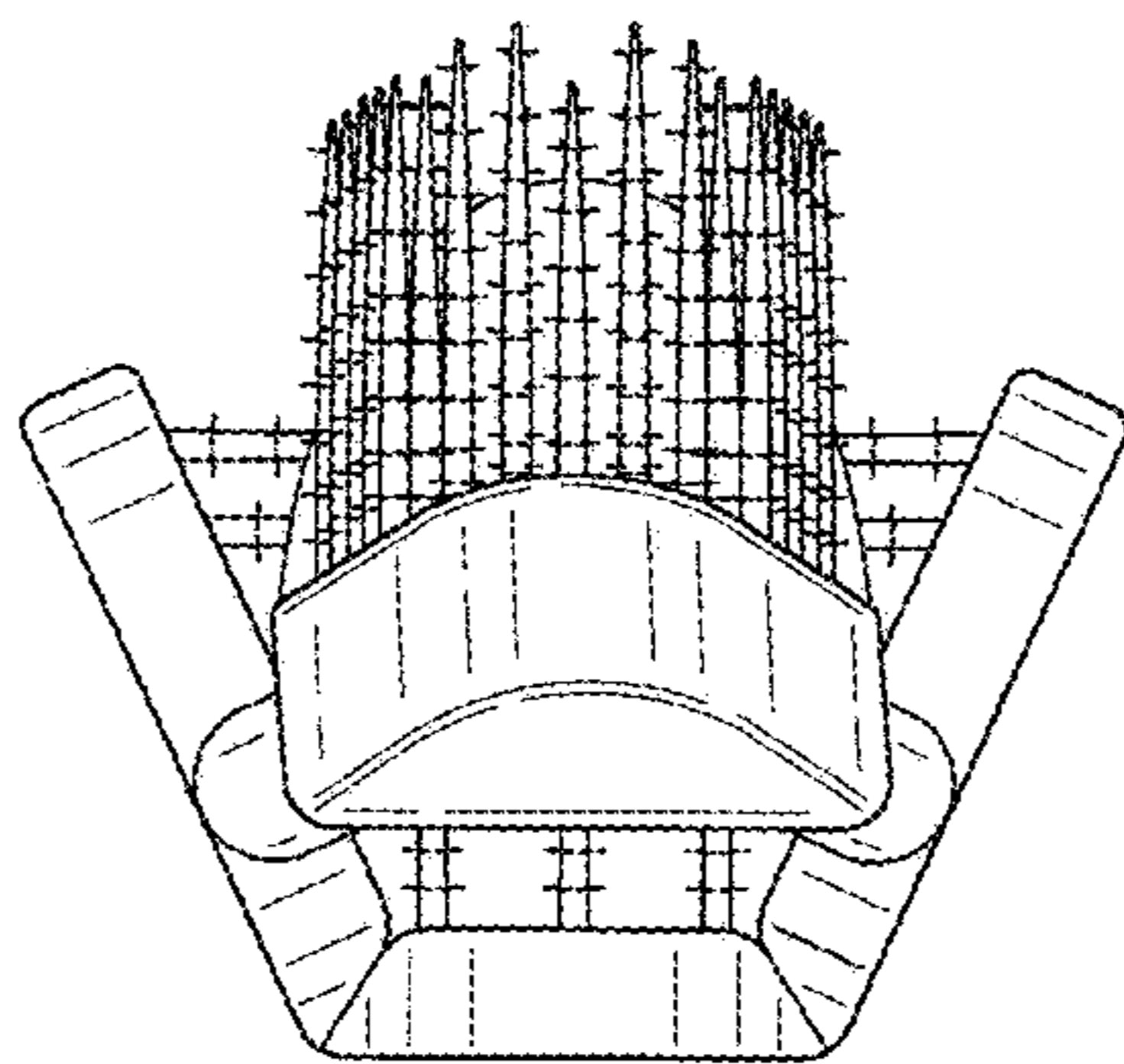


FIG. 7