



US00D792105S

(12) **United States Design Patent**
Reinhart

(10) **Patent No.:** **US D792,105 S**
(45) **Date of Patent:** **** Jul. 18, 2017**

(54) **LID WITH SQUARE SURFACE FEATURES AND BRIDGES**

Primary Examiner — Holly Baynham
(74) *Attorney, Agent, or Firm* — Ward Law Office LLC;
Jacob M. Ward

(71) Applicant: **Creative Plastic Concepts, LLC**,
Sycamore, OH (US)

(72) Inventor: **Nickolas Reinhart**, Findlay, OH (US)

(73) Assignee: **Creative Plastic Concepts, LLC**,
Sycamore, OH (US)

(**) Term: **15 Years**

(21) Appl. No.: **29/560,818**

(22) Filed: **Apr. 11, 2016**

(51) **LOC (10) Cl.** **03-01**

(52) **U.S. Cl.**
USPC **D3/318**

(58) **Field of Classification Search**
USPC D3/318, 294, 289, 273
CPC B65D 2206/006; B65D 1/22; B65D
2543/00296; B65D 21/02
See application file for complete search history.

(56) **References Cited**

U.S. PATENT DOCUMENTS

D361,511 S *	8/1995	Dickinson	D7/605
D648,538 S *	11/2011	Reinhart	D3/318
D744,239 S	12/2015	Reinhart		
D744,240 S	12/2015	Reinhart		

* cited by examiner

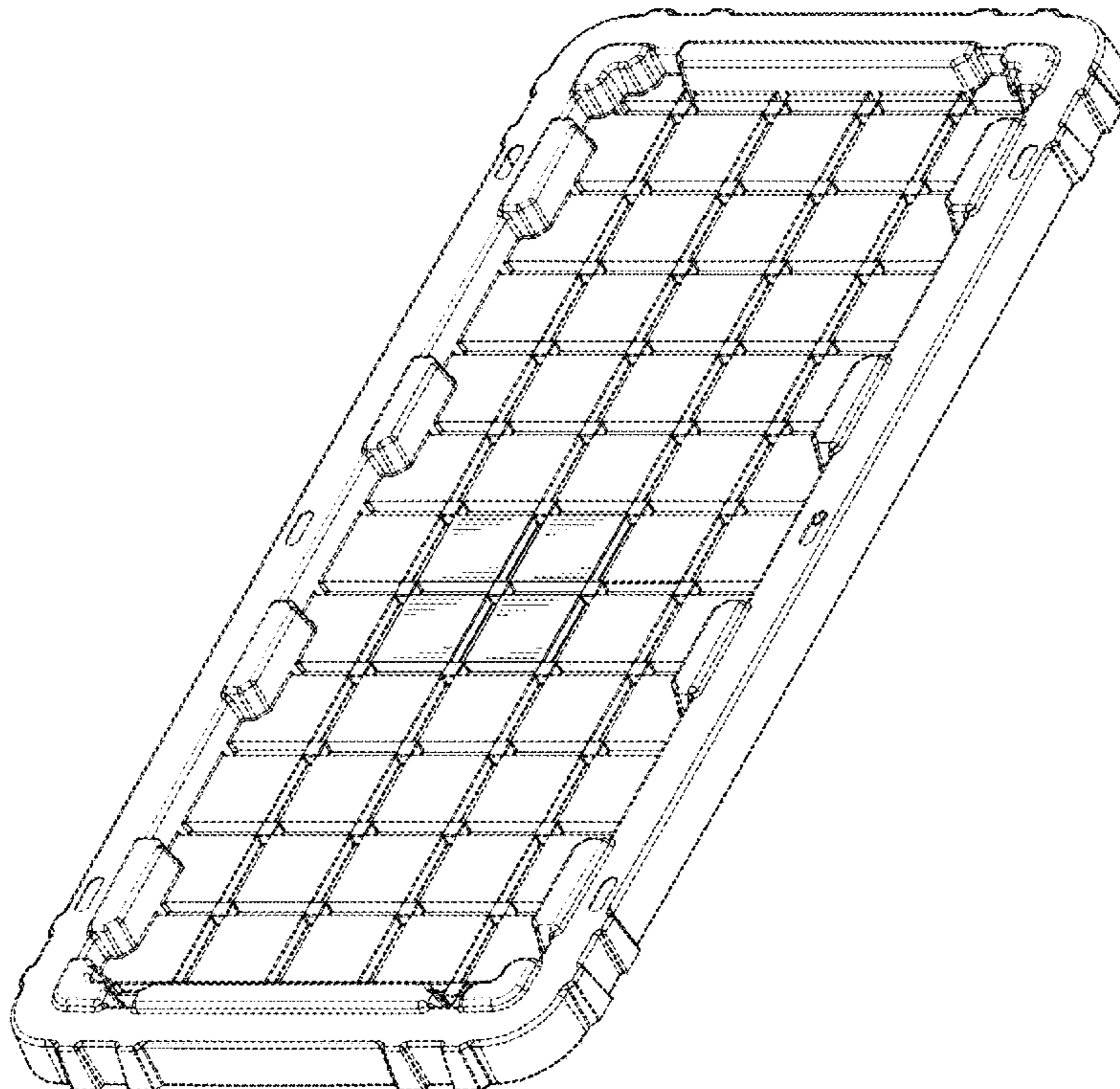
(57) **CLAIM**

The ornamental design for a lid with square surface features and bridges, as shown and described.

DESCRIPTION

FIG. 1 is a top perspective view of a lid with square surface features and bridges;
FIG. 2 is a bottom perspective view of the lid with square surface features and bridges of FIG. 1;
FIG. 3 is a top plan view thereof;
FIG. 4 is a bottom plan view thereof;
FIG. 5 is a right side elevational view thereof;
FIG. 6 is a front elevational view thereof
FIG. 7 is an enlarged, partial top perspective view thereof; and,
FIG. 8 is an enlarged, partial bottom perspective view thereof.
The broken lines showing portions of the lid are for the purposes of illustrating environment and form no part of the claimed design.

1 Claim, 5 Drawing Sheets



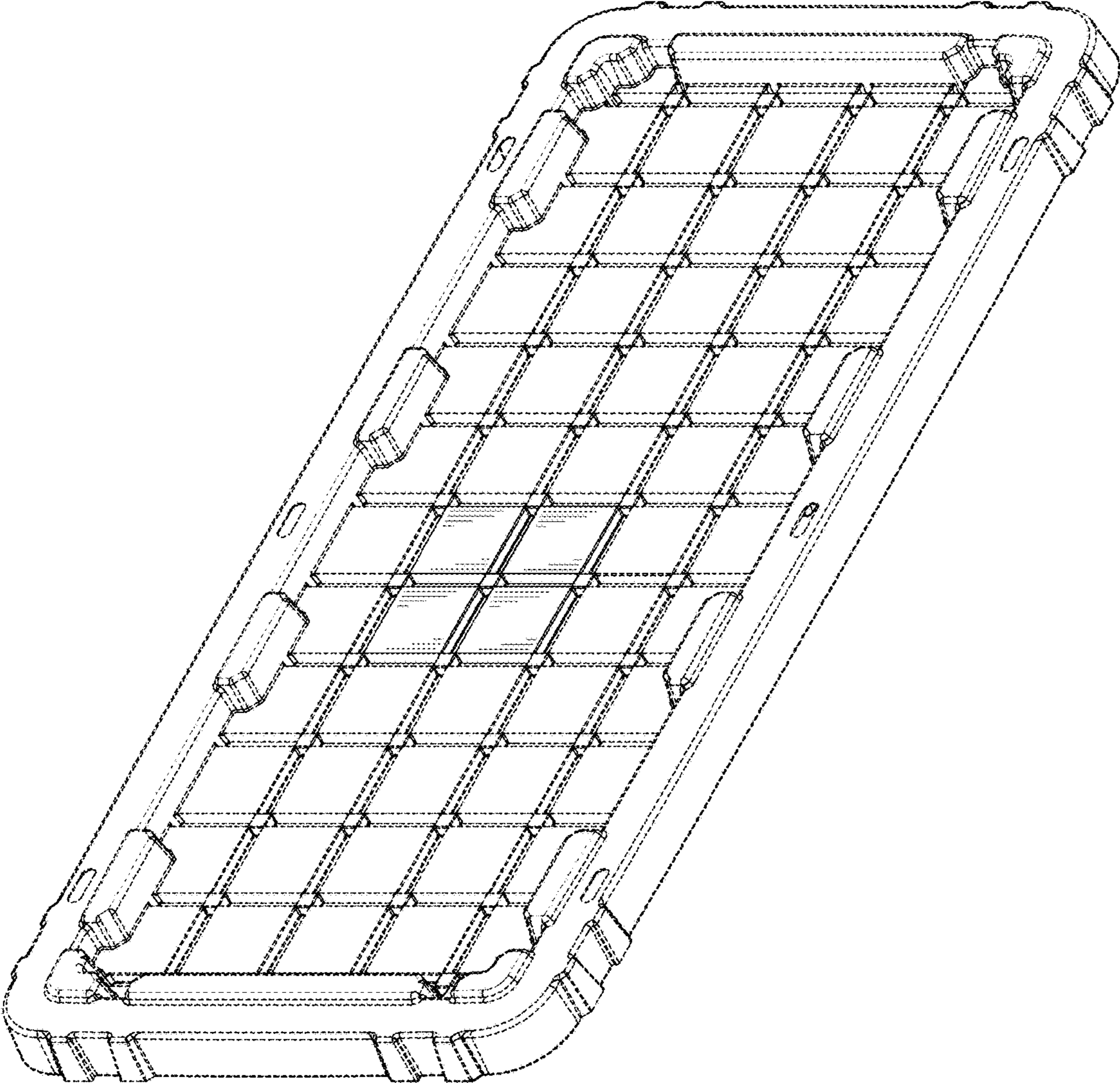


FIG. 1

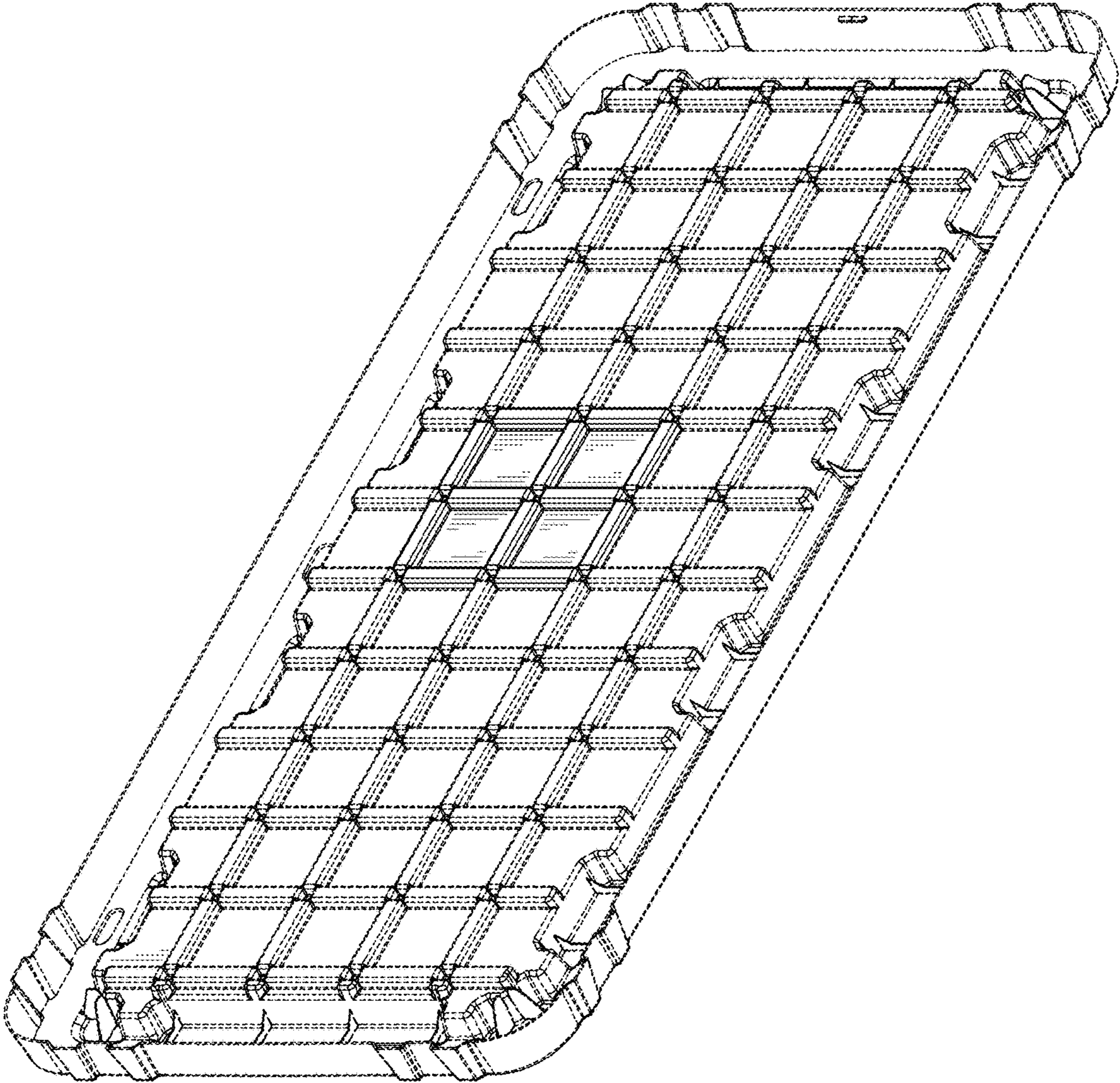


FIG. 2

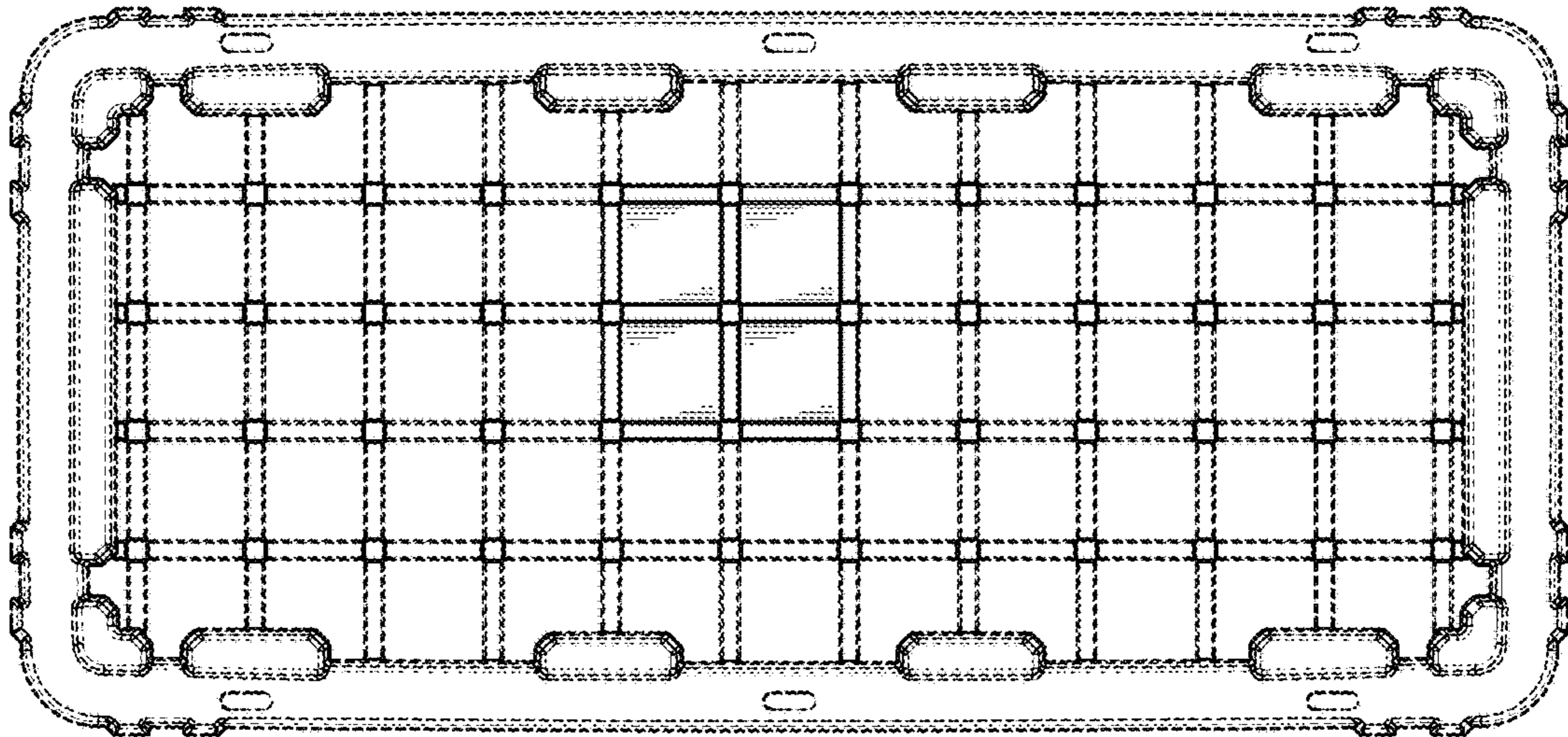


FIG. 3

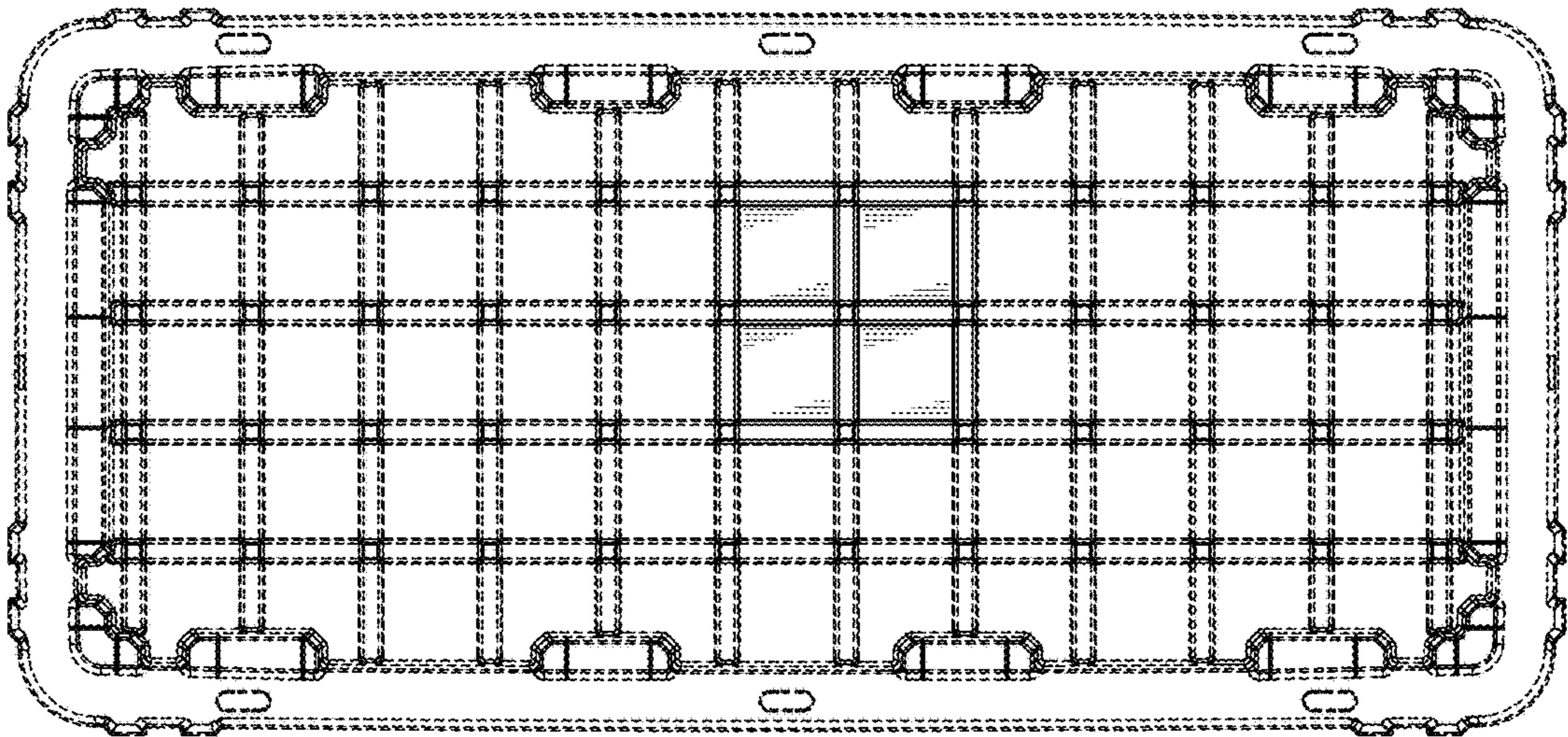


FIG. 4

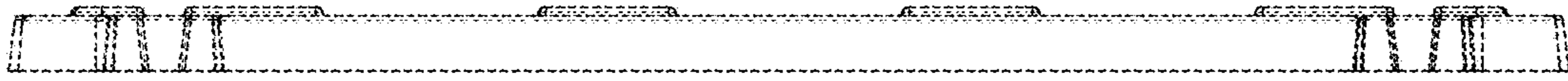


FIG. 5

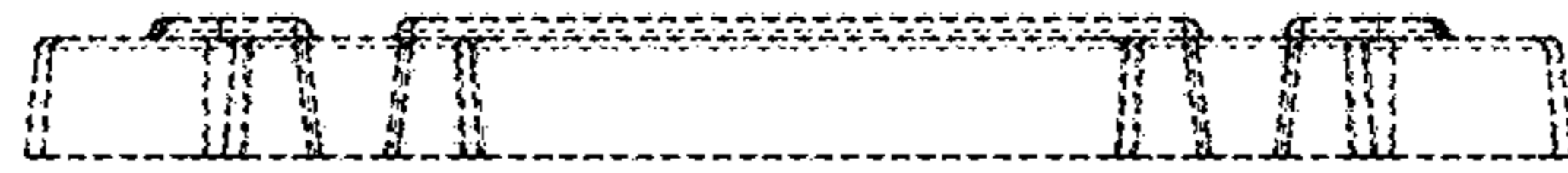


FIG. 6

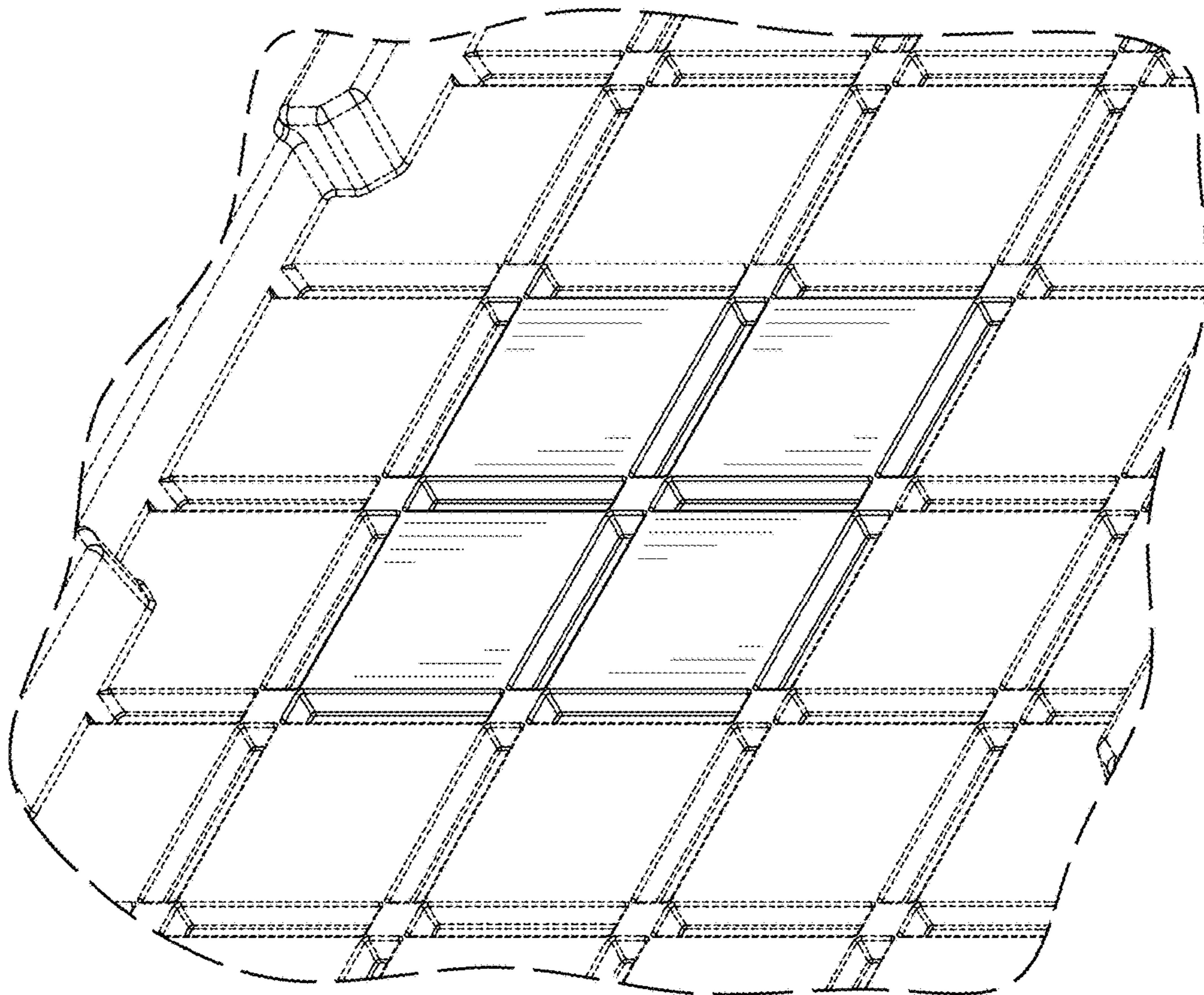


FIG. 7

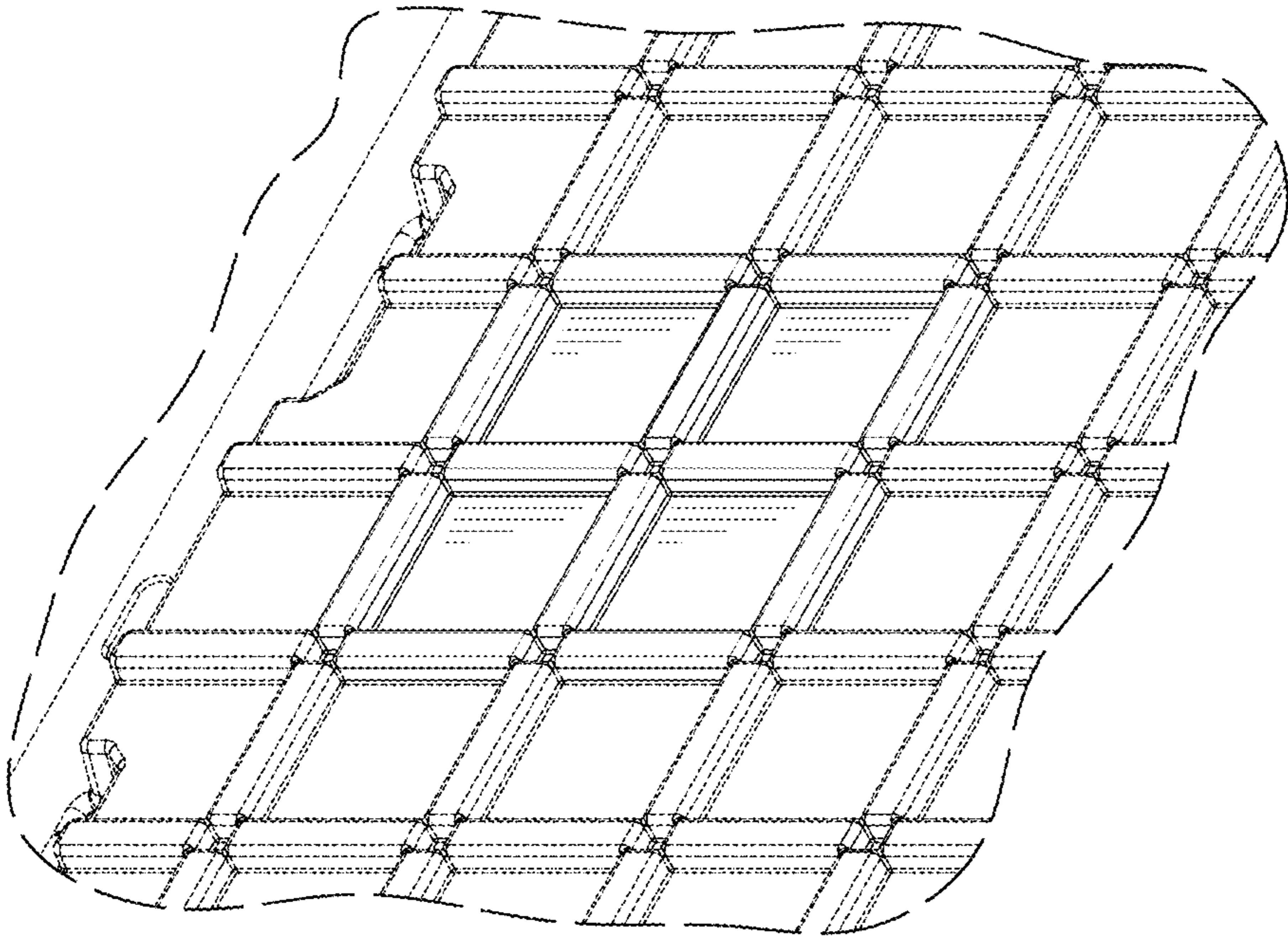


FIG. 8