



US00D792104S

(12) **United States Design Patent**
Candell

(10) **Patent No.:** **US D792,104 S**
(45) **Date of Patent:** **** Jul. 18, 2017**

- (54) **BOTTLE HOLDER**
- (71) Applicant: **Andrea Passman Candell**, San Rafael, CA (US)
- (72) Inventor: **Andrea Passman Candell**, San Rafael, CA (US)
- (**) Term: **15 Years**
- (21) Appl. No.: **29/547,737**
- (22) Filed: **Dec. 7, 2015**
- (51) **LOC (10) Cl.** **03-02**
- (52) **U.S. Cl.**
USPC **D3/316**
- (58) **Field of Classification Search**
USPC D3/315, 316, 327, 229; D7/620
CPC A45F 2005/1013; A45F 3/14;
B65D 25/2817
See application file for complete search history.

- 5,531,495 A * 7/1996 Hohman B65D 25/2817
294/165
- 5,542,730 A * 8/1996 Riesselmann A62C 33/00
239/525
- 5,622,346 A * 4/1997 Story, Jr. A45F 5/02
224/148.6
- D410,335 S * 6/1999 Raich D3/315
- D445,688 S * 7/2001 Webb D3/316
- D455,009 S * 4/2002 Thayer D3/316
- 7,419,198 B2 * 9/2008 Baker B66C 1/18
294/74
- D650,586 S * 12/2011 Hutcheson D3/316
- D682,544 S * 5/2013 Raich D3/229
- D689,284 S * 9/2013 Weitzel D3/315
- 8,820,807 B2 * 9/2014 Allen B66C 1/101
294/67.1

* cited by examiner

Primary Examiner — Charles Hanson
(74) *Attorney, Agent, or Firm* — Steven A. Nielsen;
www.NielsenPatents.com

(57) **CLAIM**

The ornamental design for a bottle holder, as shown and described.

(56) **References Cited**

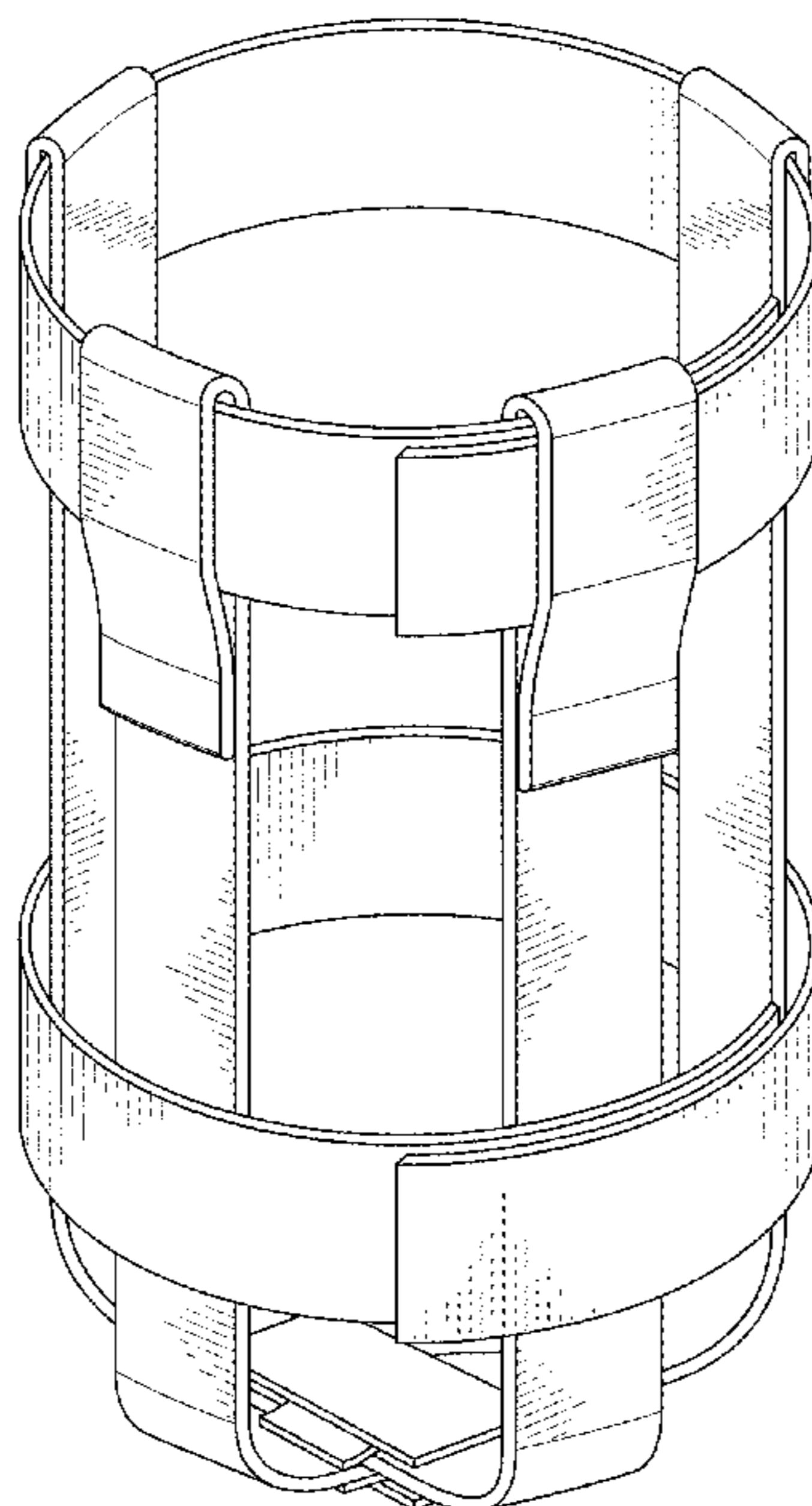
U.S. PATENT DOCUMENTS

- 2,774,510 A * 12/1956 Logan B44D 3/14
220/696
- 3,923,222 A * 12/1975 Groves A45F 3/14
224/250
- 4,513,895 A * 4/1985 Leslie A45C 9/00
224/153
- D280,953 S * 10/1985 Paul D3/316
- D299,790 S * 2/1989 Paul D3/316
- 4,804,218 A * 2/1989 Hilliard B63C 11/22
294/157
- 5,147,079 A * 9/1992 Heather A45F 3/02
206/428
- D347,522 S * 6/1994 Beltran D3/229
- D353,045 S * 12/1994 Chandler D3/229
- 5,505,353 A * 4/1996 Marsh, Jr. A45F 5/00
224/148.6

DESCRIPTION

FIG. 1 is a top and side perspective view of a bottle holder showing a new design;
FIG. 2 is a front side view thereof;
FIG. 3 is a left side view thereof;
FIG. 4 is a right side view thereof;
FIG. 5 is a back side view thereof;
FIG. 6 is a bottom side view thereof; and,
FIG. 7 is a top side view thereof.
The broken lines showing stitching are included for the purpose of illustrating portions of the article that forms a part of the claimed design.

1 Claim, 6 Drawing Sheets



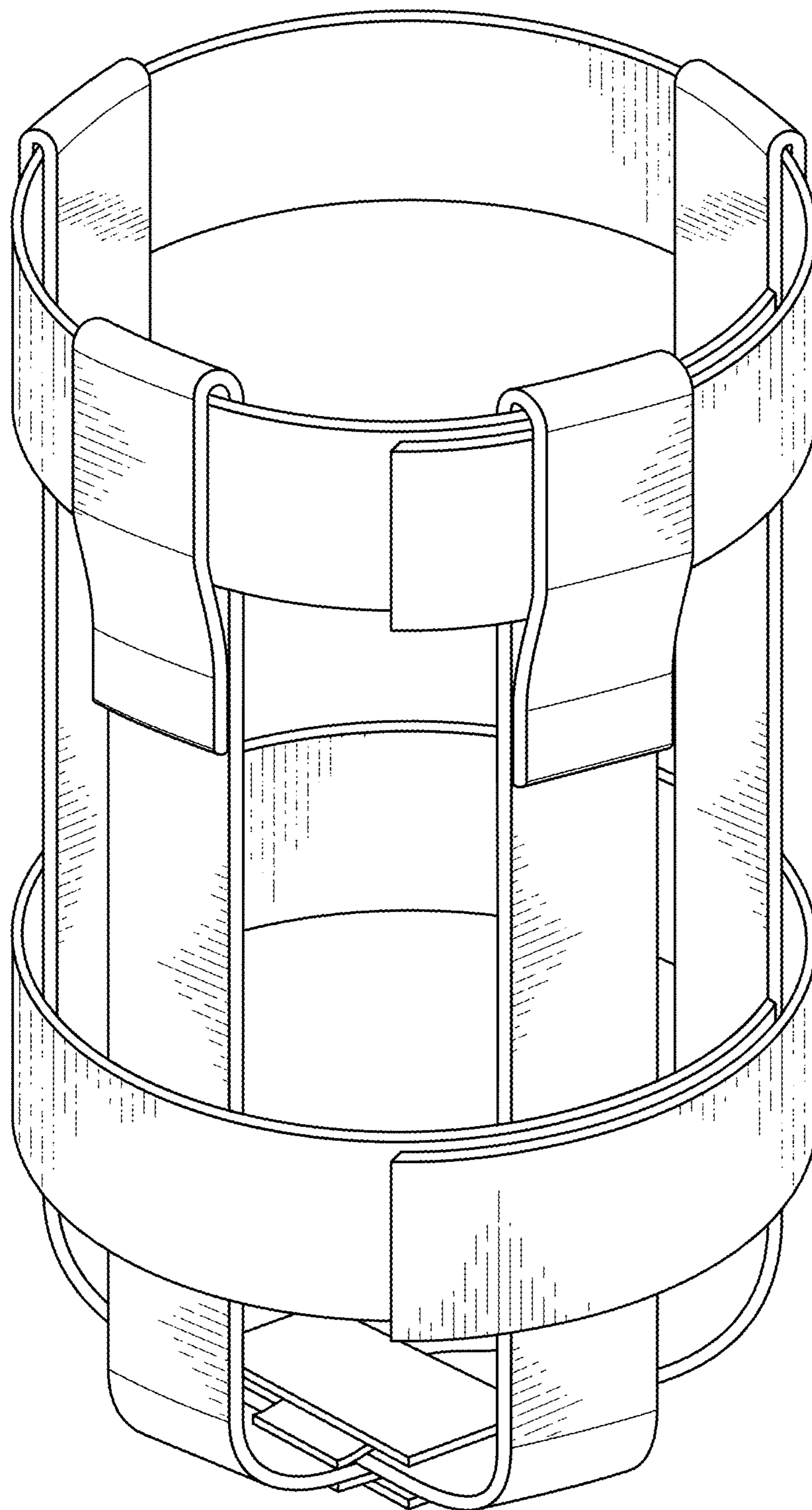


FIG. 1

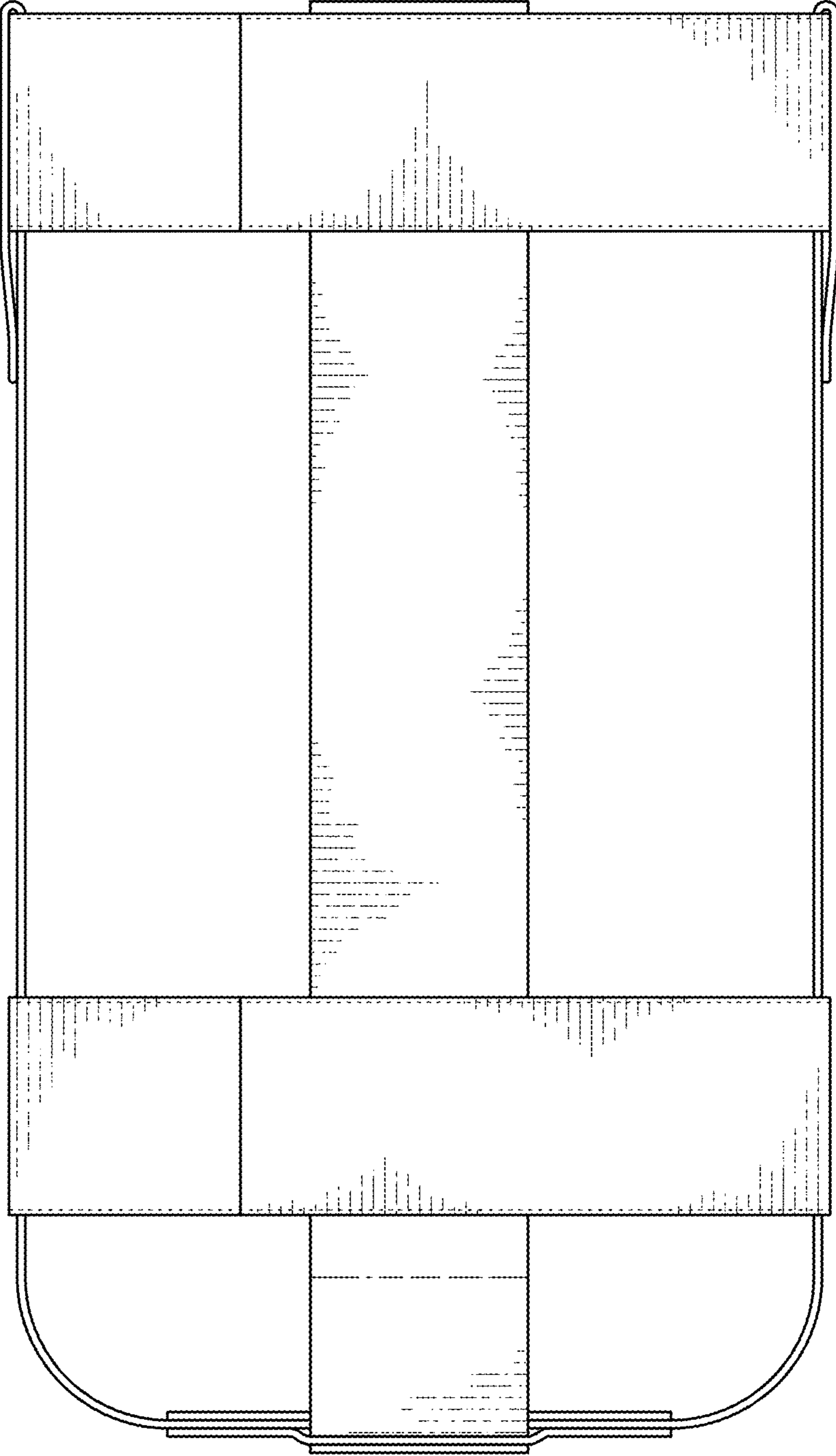


FIG. 2

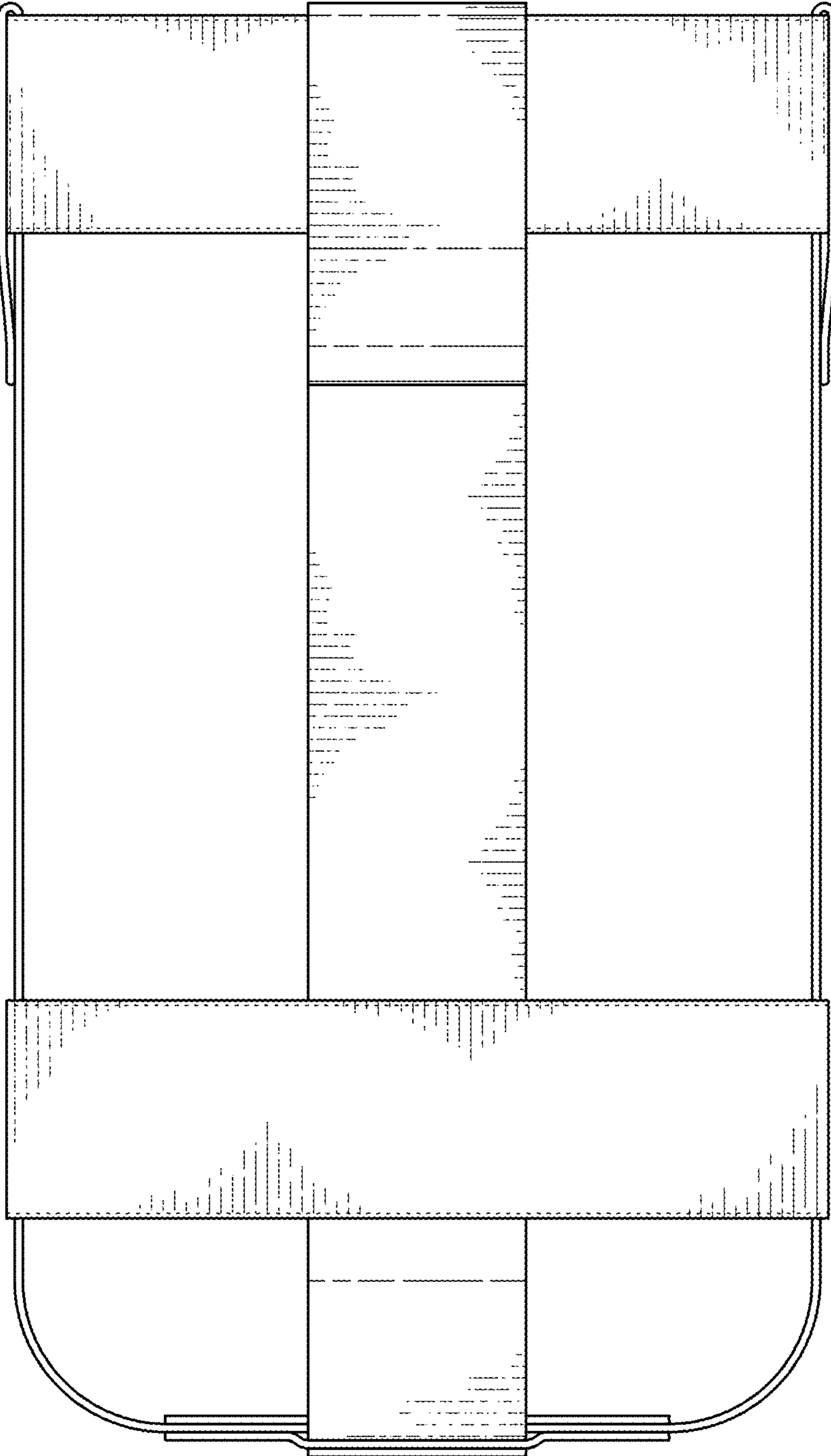


FIG. 3

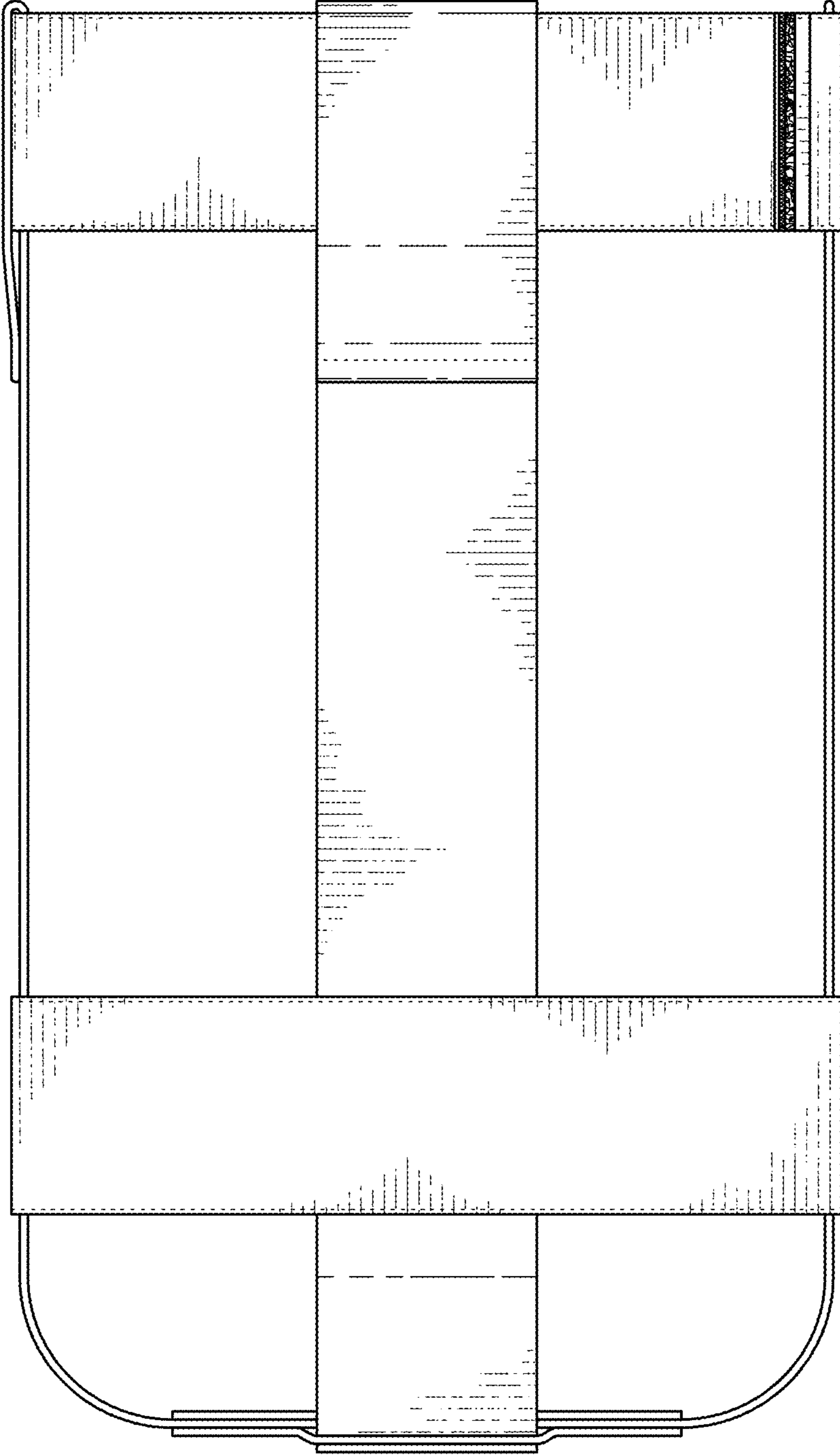


FIG. 4

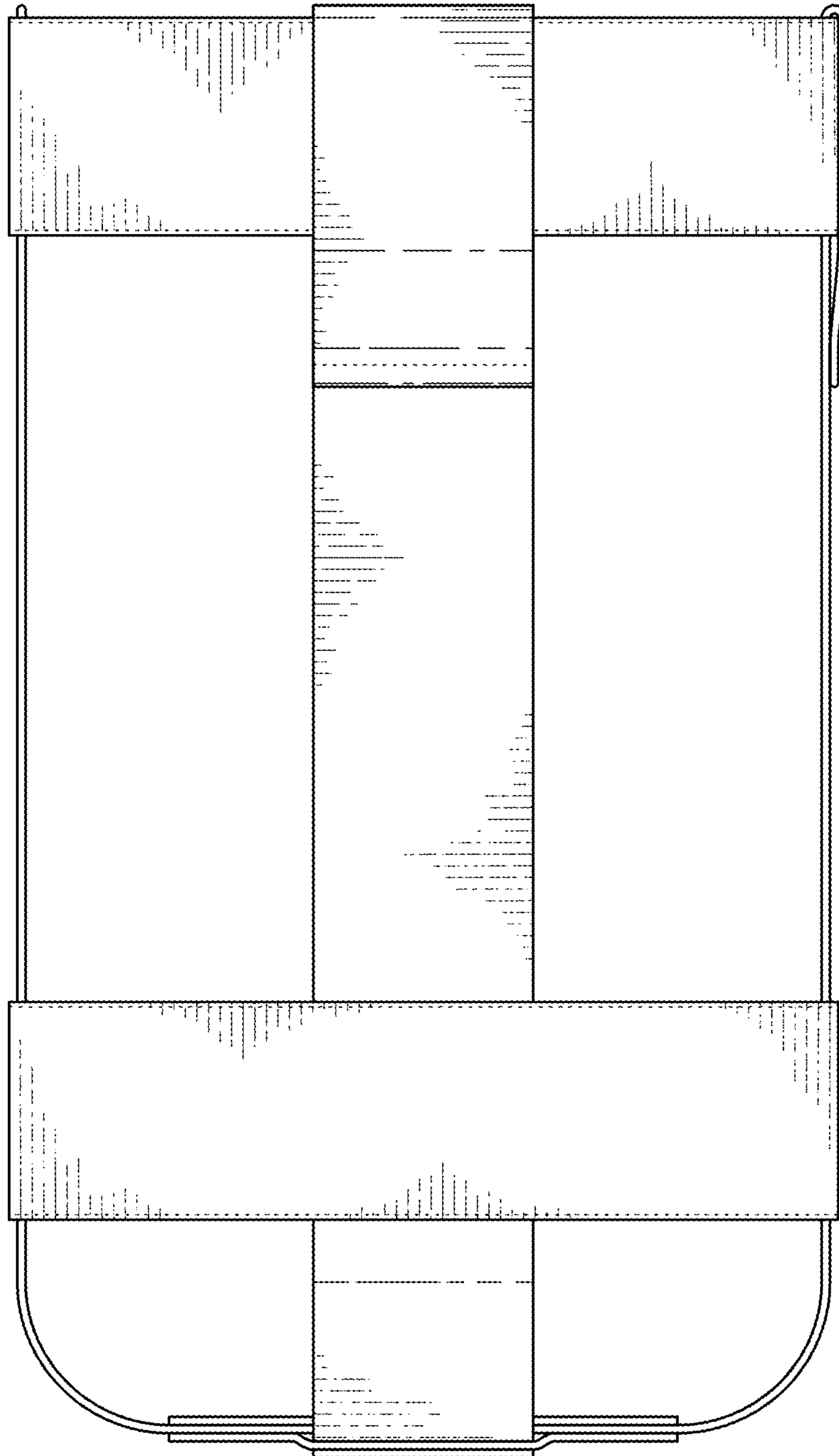


FIG. 5

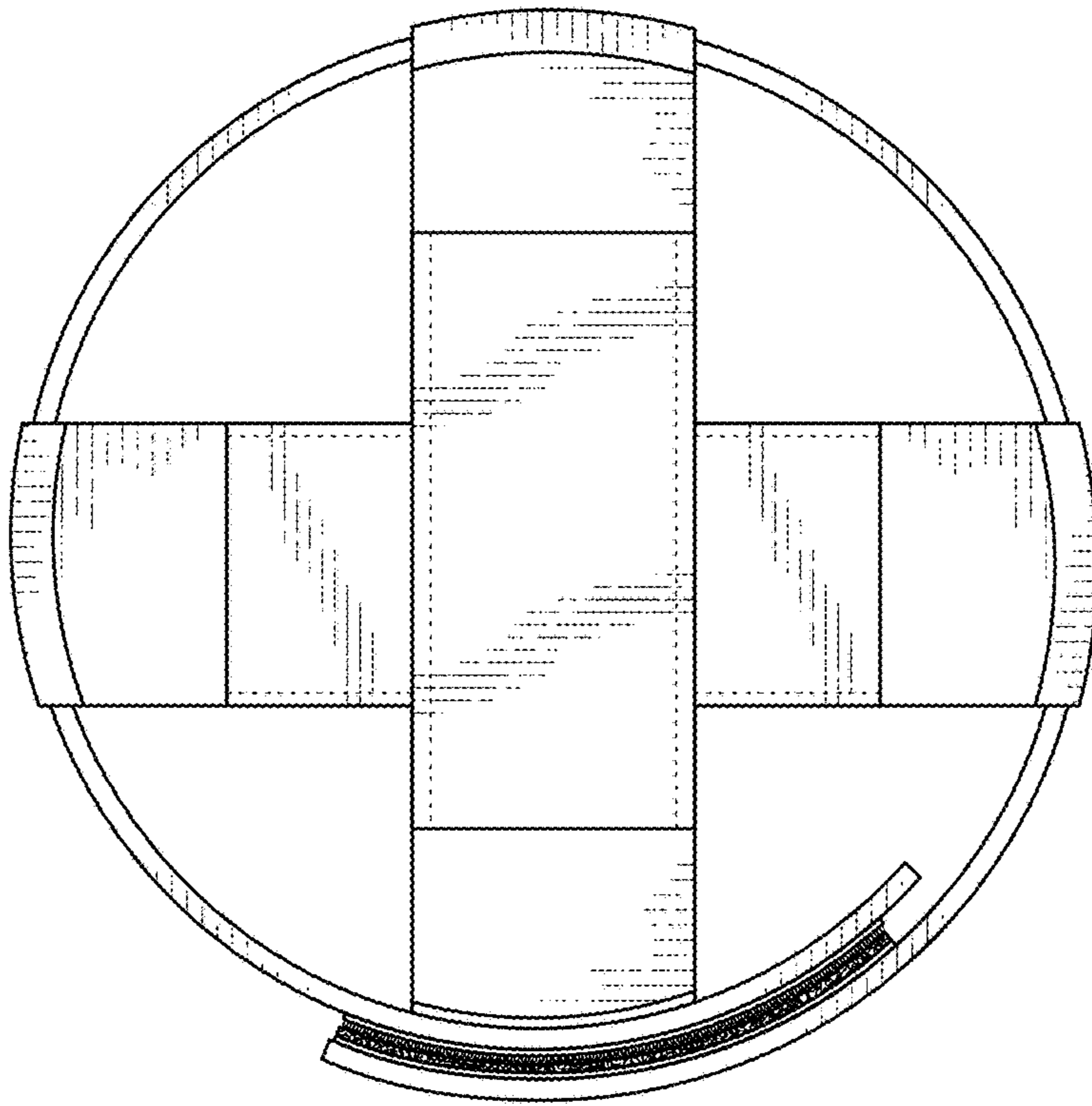


FIG. 6

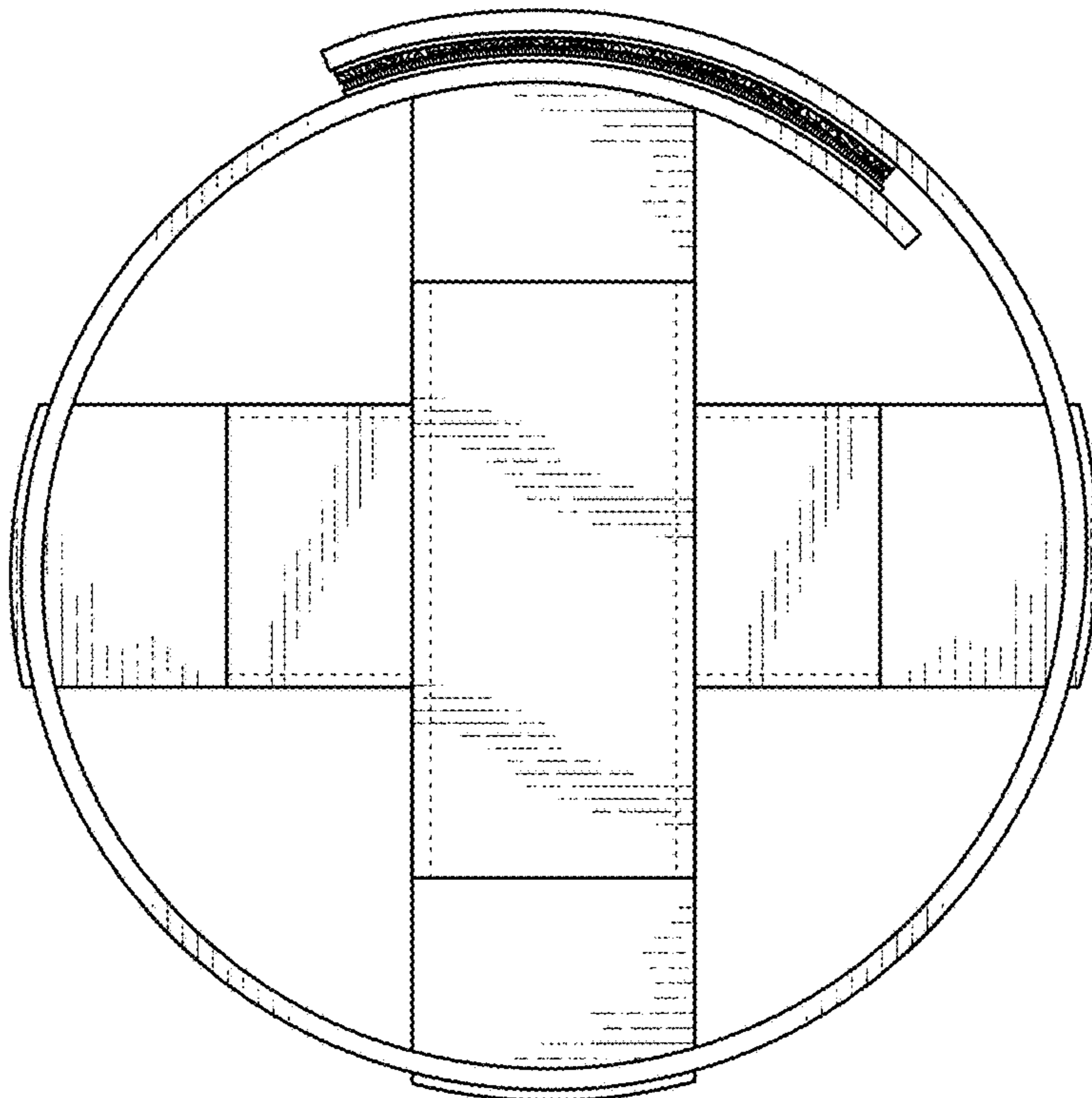


FIG. 7