



US00D792103S

(12) **United States Design Patent** (10) **Patent No.:** **US D792,103 S**
Bishop (45) **Date of Patent:** **** Jul. 18, 2017**

(54) **IMPLEMENT HOLDER** 6,364,150 B1 * 4/2002 Persinger A01K 97/06
 206/373
 (71) Applicant: **Mischa Bishop**, Tuscumbia, AL (US) 6,905,020 B2 * 6/2005 Chang B25H 3/025
 206/349
 (72) Inventor: **Mischa Bishop**, Tuscumbia, AL (US) 8,127,965 B1 * 3/2012 Miller B25H 3/04
 206/373
 (**) Term: **15 Years** 9,468,200 B1 * 10/2016 Davis A01K 97/00
 2007/0084810 A1 * 4/2007 Morris A47K 1/09
 211/65

(21) Appl. No.: **29/540,621**

(22) Filed: **Sep. 25, 2015**

(51) **LOC (10) Cl.** **03-02**

(52) **U.S. Cl.**
USPC **D3/315**

(58) **Field of Classification Search**
USPC D3/206, 315; D7/354, 356
CPC .. B25H 3/04; B25H 3/025; B25H 3/00; A47L
13/51

See application file for complete search history.

* cited by examiner

Primary Examiner — Charles Hanson

(74) *Attorney, Agent, or Firm* — Lanier Ford Shaver & Payne PC

(57) **CLAIM**

The ornamental design for an implement holder, as shown and described.

(56) **References Cited**

U.S. PATENT DOCUMENTS

D264,224 S * 5/1982 Henkels D19/75
 4,947,998 A * 8/1990 Smeller A47G 25/12
 206/373
 5,350,065 A * 9/1994 Darrey B65D 25/32
 206/373
 D372,125 S * 7/1996 Frazier D3/315
 5,924,568 A * 7/1999 Zajonc B25H 3/026
 206/372
 6,105,768 A * 8/2000 Brown B25H 3/025
 206/373
 6,254,055 B1 * 7/2001 Lamberson, Jr. A01K 97/10
 206/315.11
 D453,190 S * 1/2002 Trombly D19/77

DESCRIPTION

FIG. 1 is a perspective view of an implement holder in accordance with the present disclosure.

FIG. 2 is another perspective view of the implement holder of FIG. 1.

FIG. 3 is a side view of the implement holder of FIG. 1.

FIG. 4 is another side view of the implement holder of FIG. 1.

FIG. 5 is another side view of the implement holder of FIG. 1.

FIG. 6 is a top view of the implement holder of FIG. 1; and, FIG. 7 is a bottom view of the implement holder of FIG. 1.

1 Claim, 6 Drawing Sheets

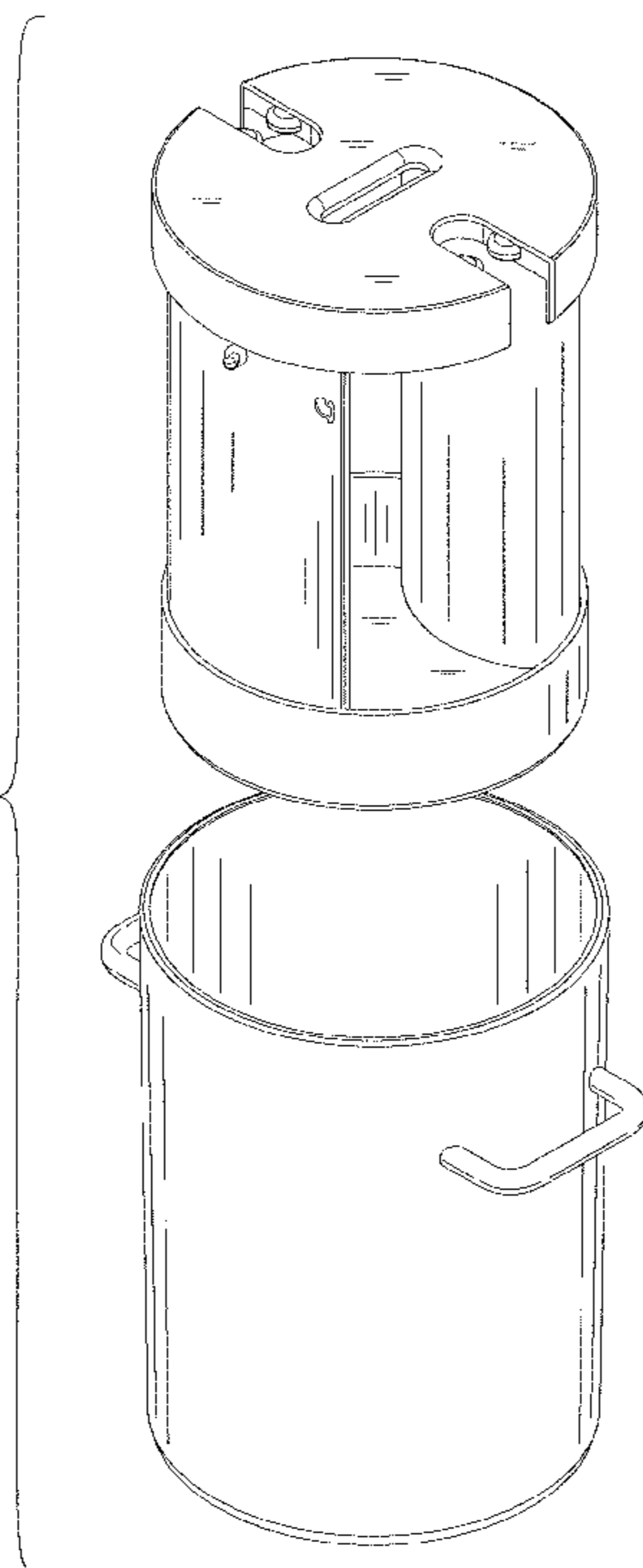


FIG. 1

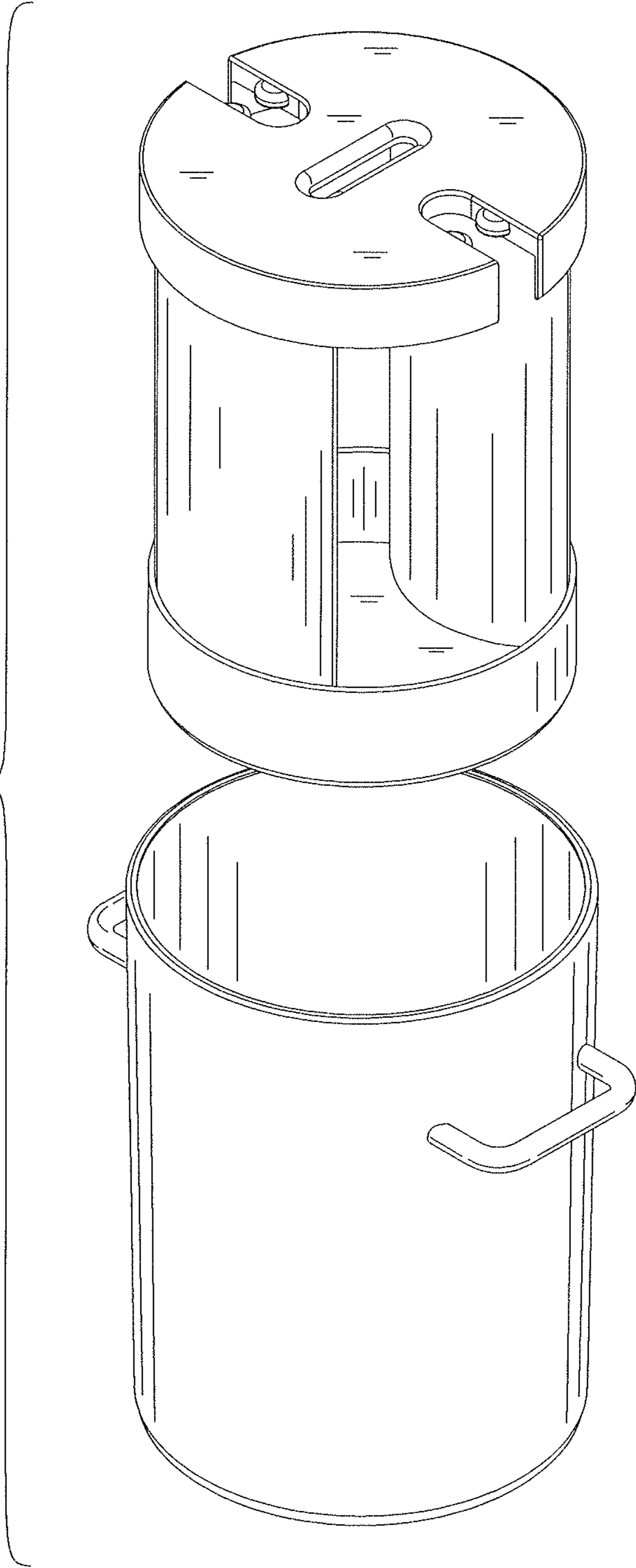


FIG. 2

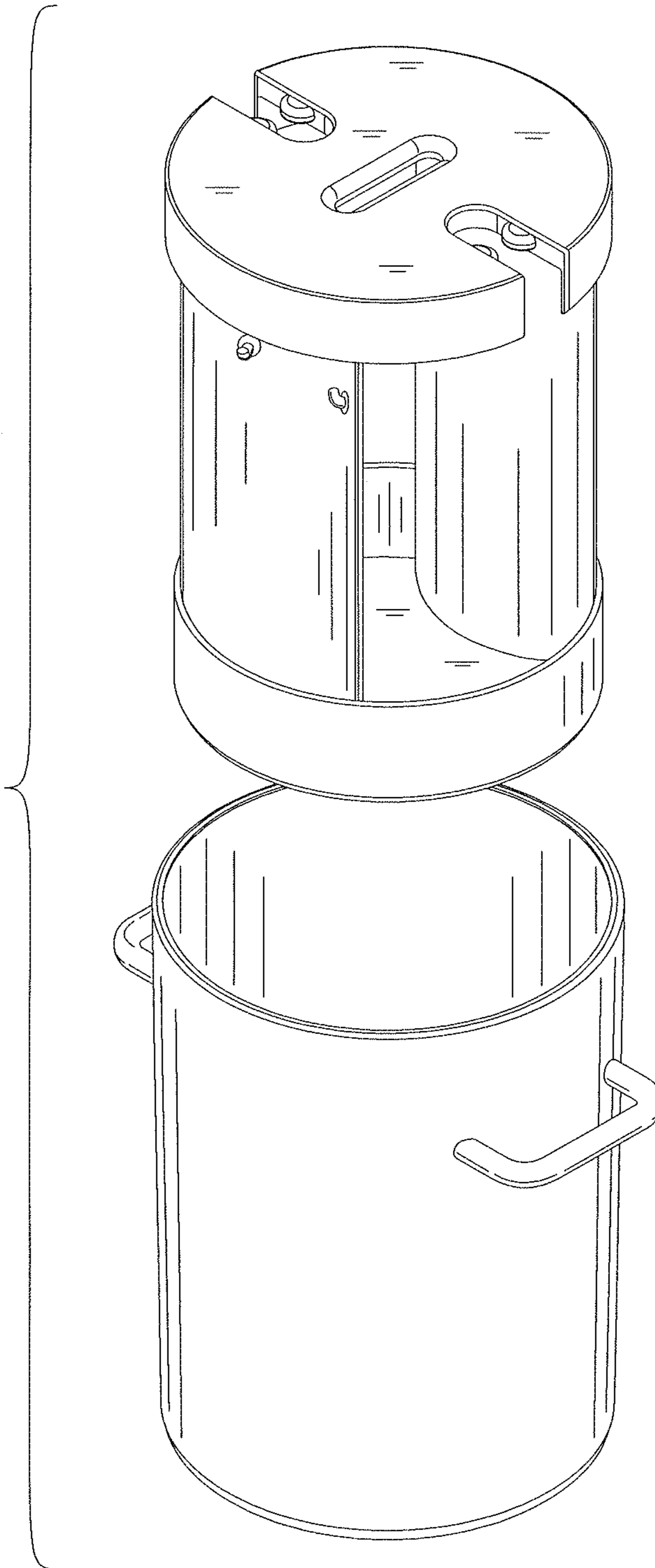


FIG. 3

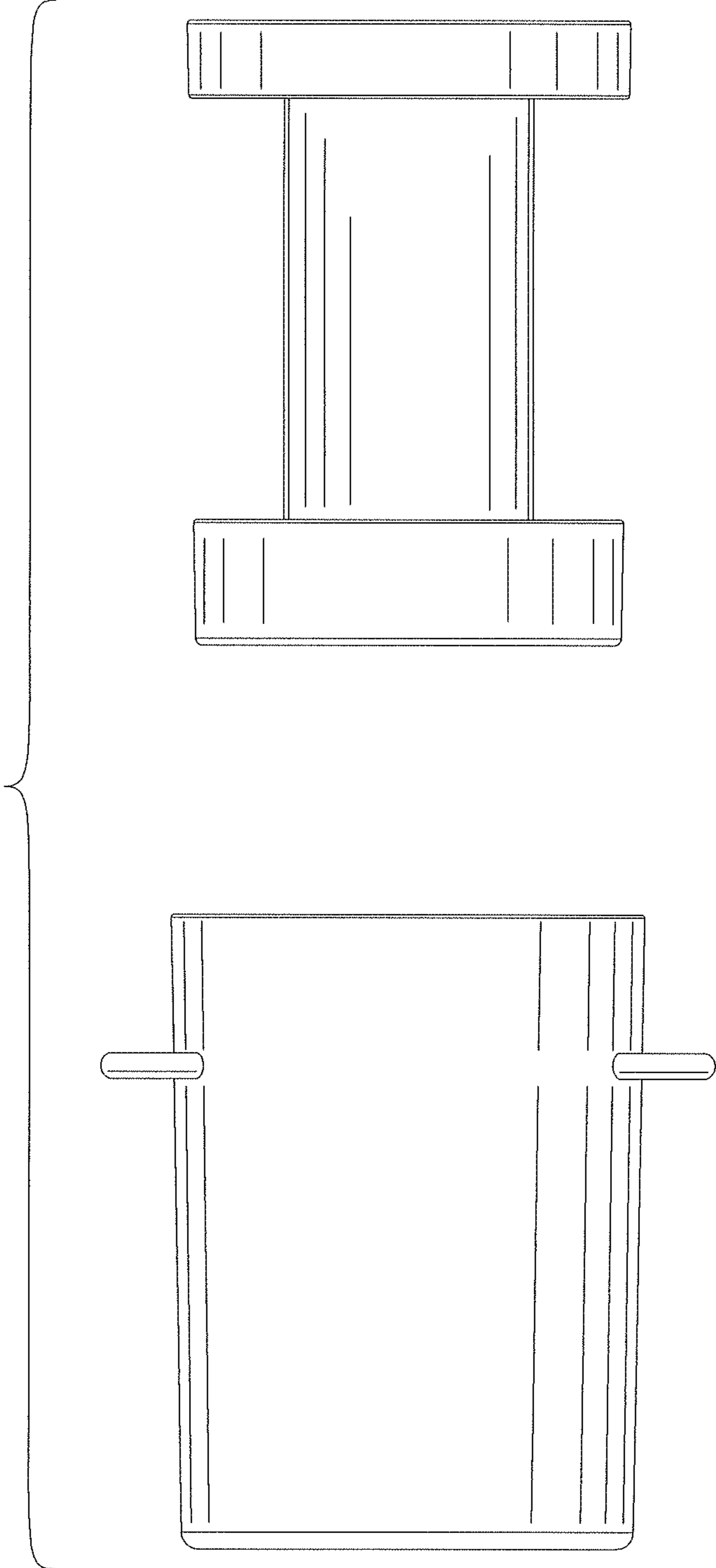


FIG. 4

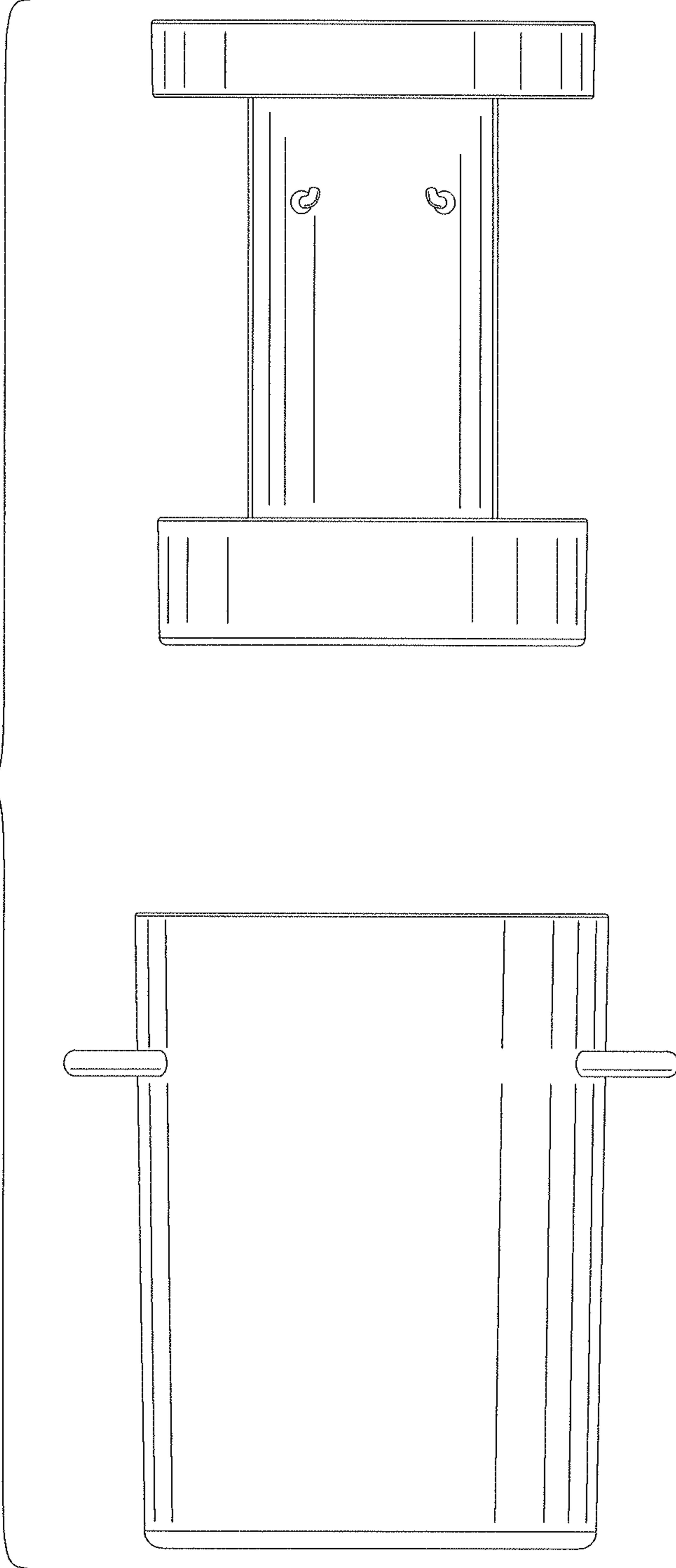
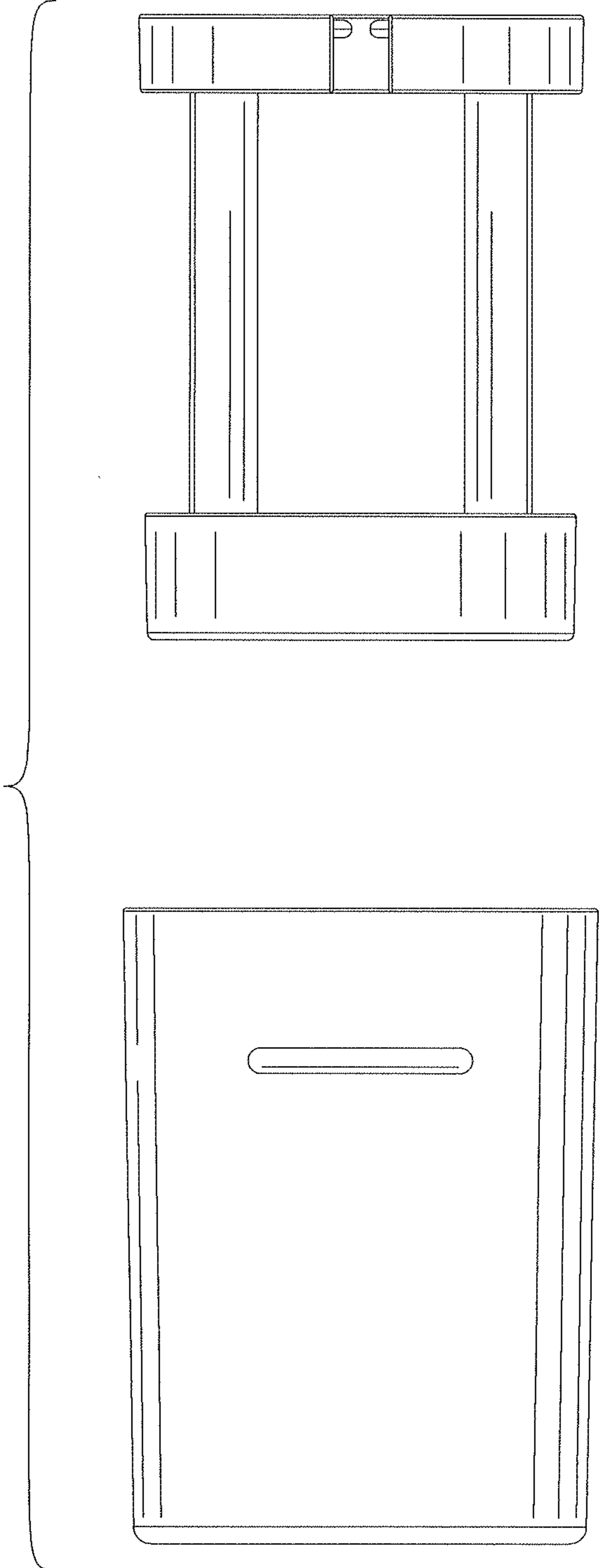


FIG. 5



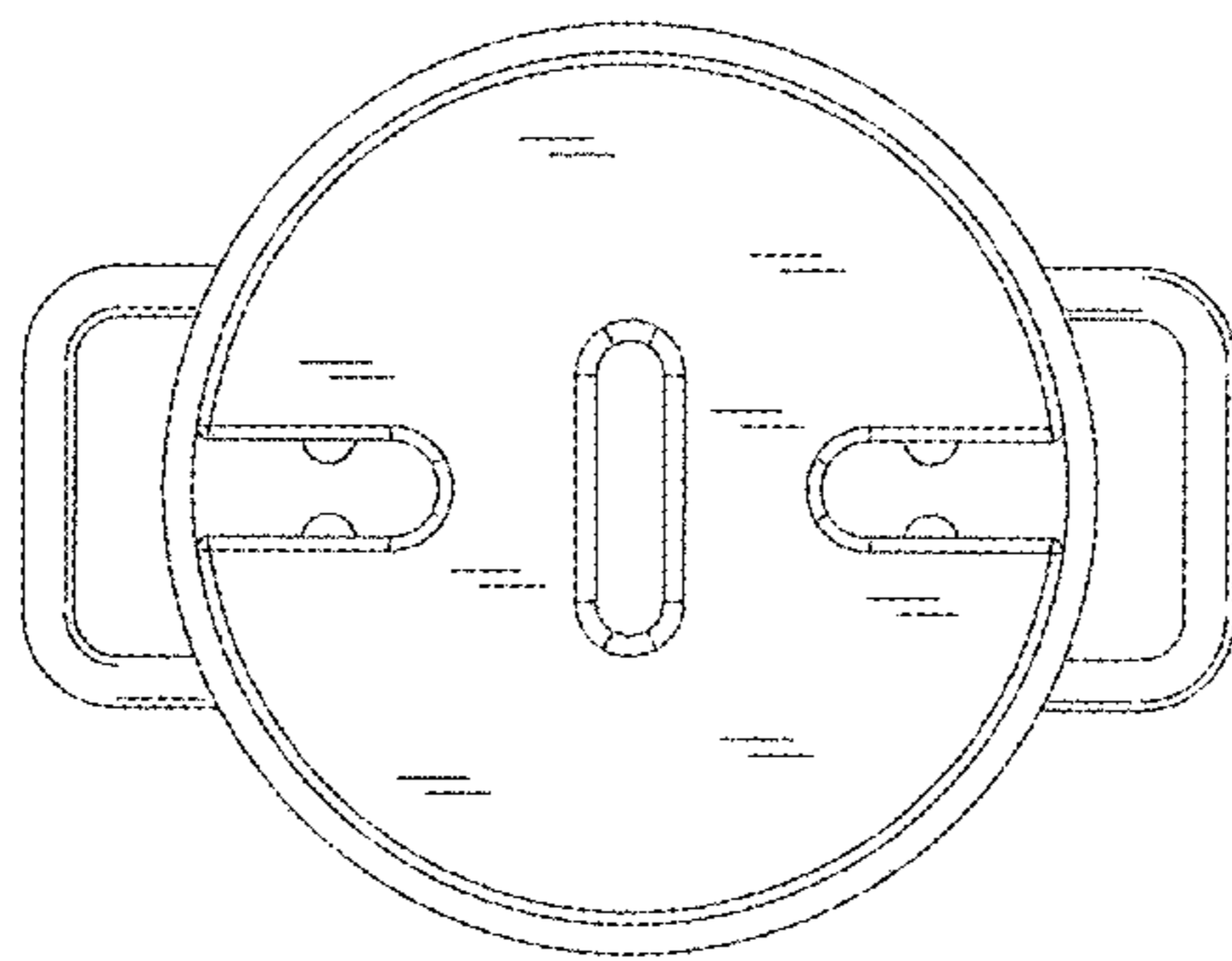


FIG. 6

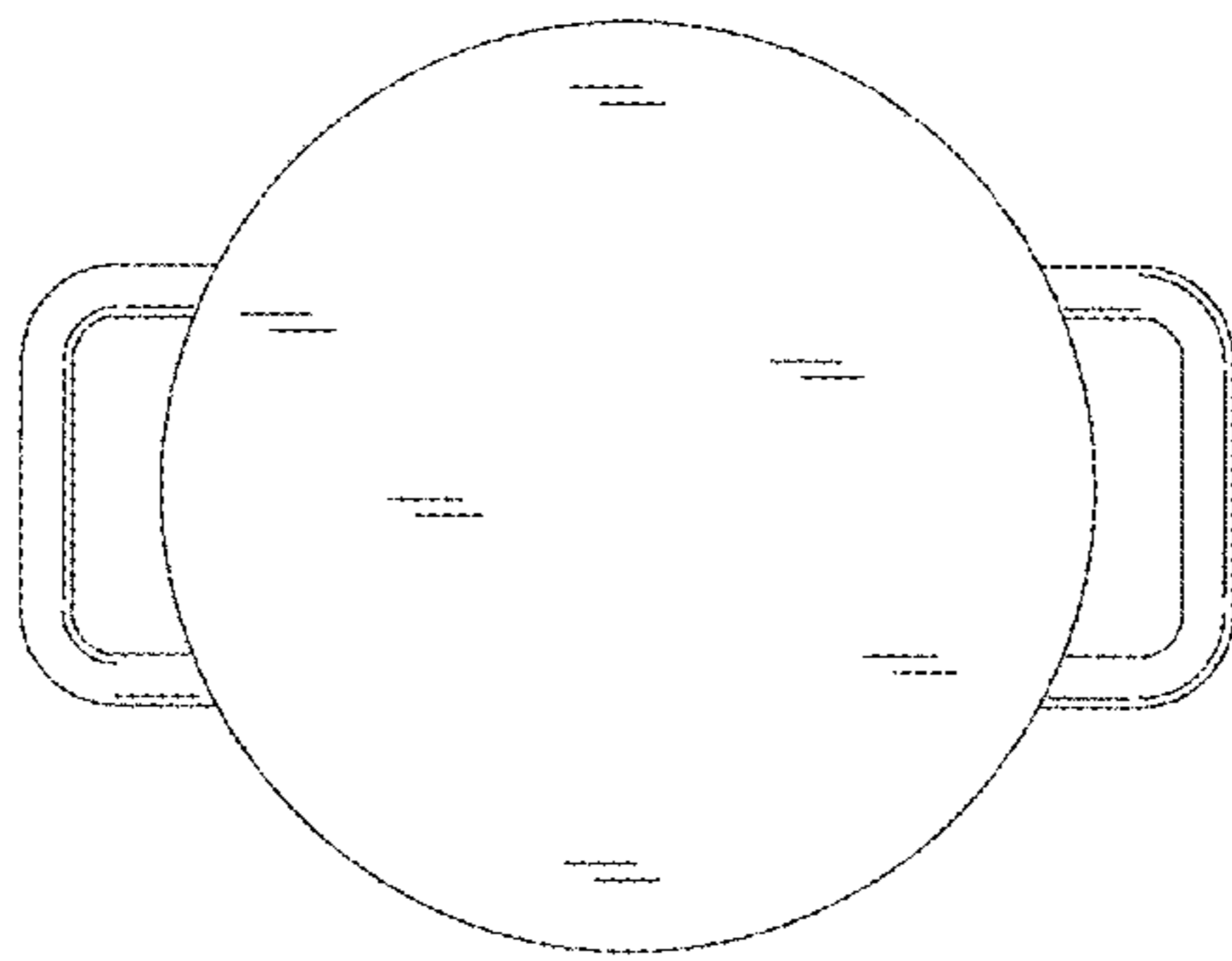


FIG. 7