



US00D792102S

(12) **United States Design Patent**  
**Pietrantonio**

(10) **Patent No.:** **US D792,102 S**

(45) **Date of Patent:** **\*\* Jul. 18, 2017**

(54) **CONTAINER CARRIER**

(71) Applicant: **Patrick M. Pietrantonio**, Meriden, CT  
(US)

(72) Inventor: **Patrick M. Pietrantonio**, Meriden, CT  
(US)

(73) Assignee: **The Plastic Forming Company, Inc.**,  
Woodbridge, CT (US)

(\*\*) Term: **15 Years**

(21) Appl. No.: **29/534,979**

(22) Filed: **Aug. 3, 2015**

(51) **LOC (10) Cl.** ..... **03-01**

(52) **U.S. Cl.**  
USPC ..... **D3/309**

(58) **Field of Classification Search**  
USPC ..... D7/500, 505, 543, 555, 590, 600, 600.1,  
D7/601-602, 619.1, 397, 401.1, 701;  
D3/304, 307, 308, 309, 310, 311, 313,  
D3/314, 315, 316  
CPC ..... B65D 81/00; B65D 83/00; B65D 1/22;  
A47F 1/00  
See application file for complete search history.

(56) **References Cited**

**U.S. PATENT DOCUMENTS**

2,365,914 A \* 12/1944 Stigler ..... B65D 71/0003  
206/168  
3,891,084 A \* 6/1975 Elizondo-Garcia .... B65D 1/243  
206/143

D270,867 S \* 10/1983 Keohan ..... D3/308  
D280,773 S \* 9/1985 Addy, Jr. .... D3/309  
D447,916 S \* 9/2001 Bodum ..... D7/600  
D511,894 S \* 11/2005 Janney, Jr. .... D3/315  
D690,109 S \* 9/2013 Shupp ..... D3/309  
D762,429 S \* 8/2016 Kross ..... D7/706

\* cited by examiner

*Primary Examiner* — Kelley Donnelly

(74) *Attorney, Agent, or Firm* — St. Onge Steward  
Johnston & Reens, LLC

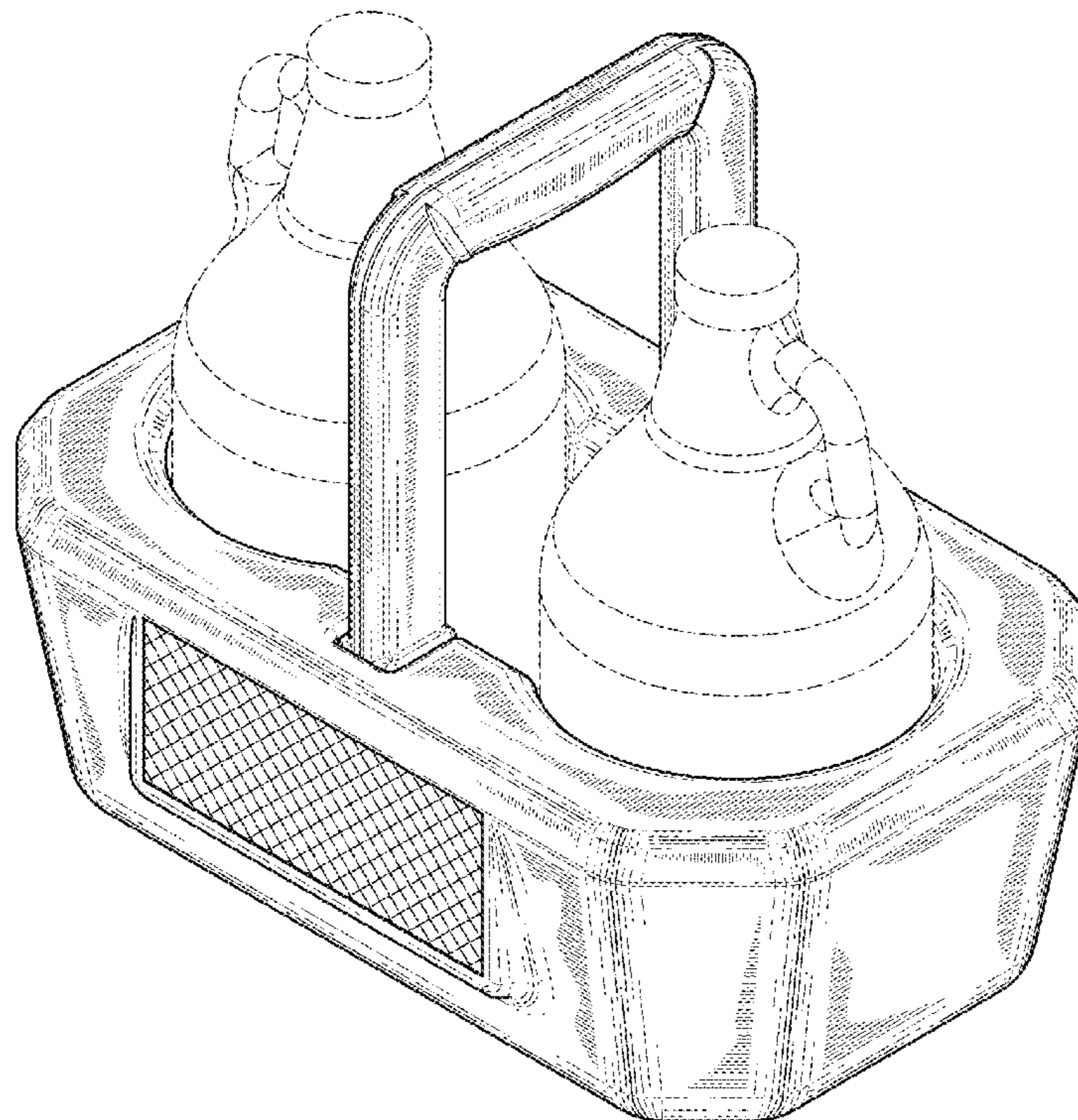
(57) **CLAIM**

The ornamental design for a container carrier, as shown and described.

**DESCRIPTION**

FIG. 1 is a front isometric view of a container carrier in accordance with the new design;  
FIG. 2 is a front elevational view thereof;  
FIG. 3 is a left side elevational view thereof;  
FIG. 4 is a rear elevational view thereof;  
FIG. 5 is a right side elevational view thereof;  
FIG. 6 is a top plan view thereof; and,  
FIG. 7 is a bottom plan view thereof.  
The broken lines showing is included for the purpose of illustrating environment and forms no part of the claimed design.

**1 Claim, 6 Drawing Sheets**



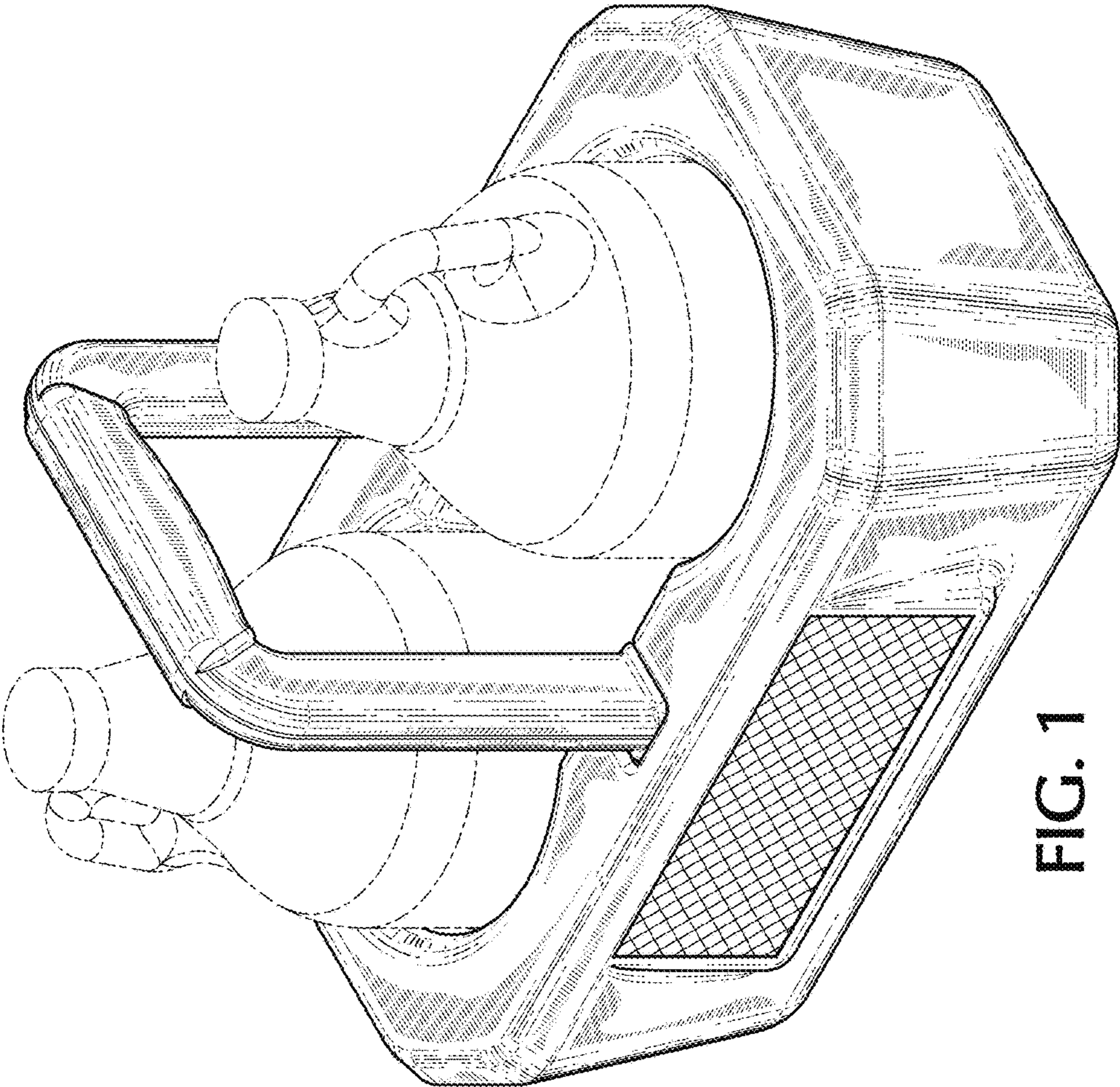


FIG. 1

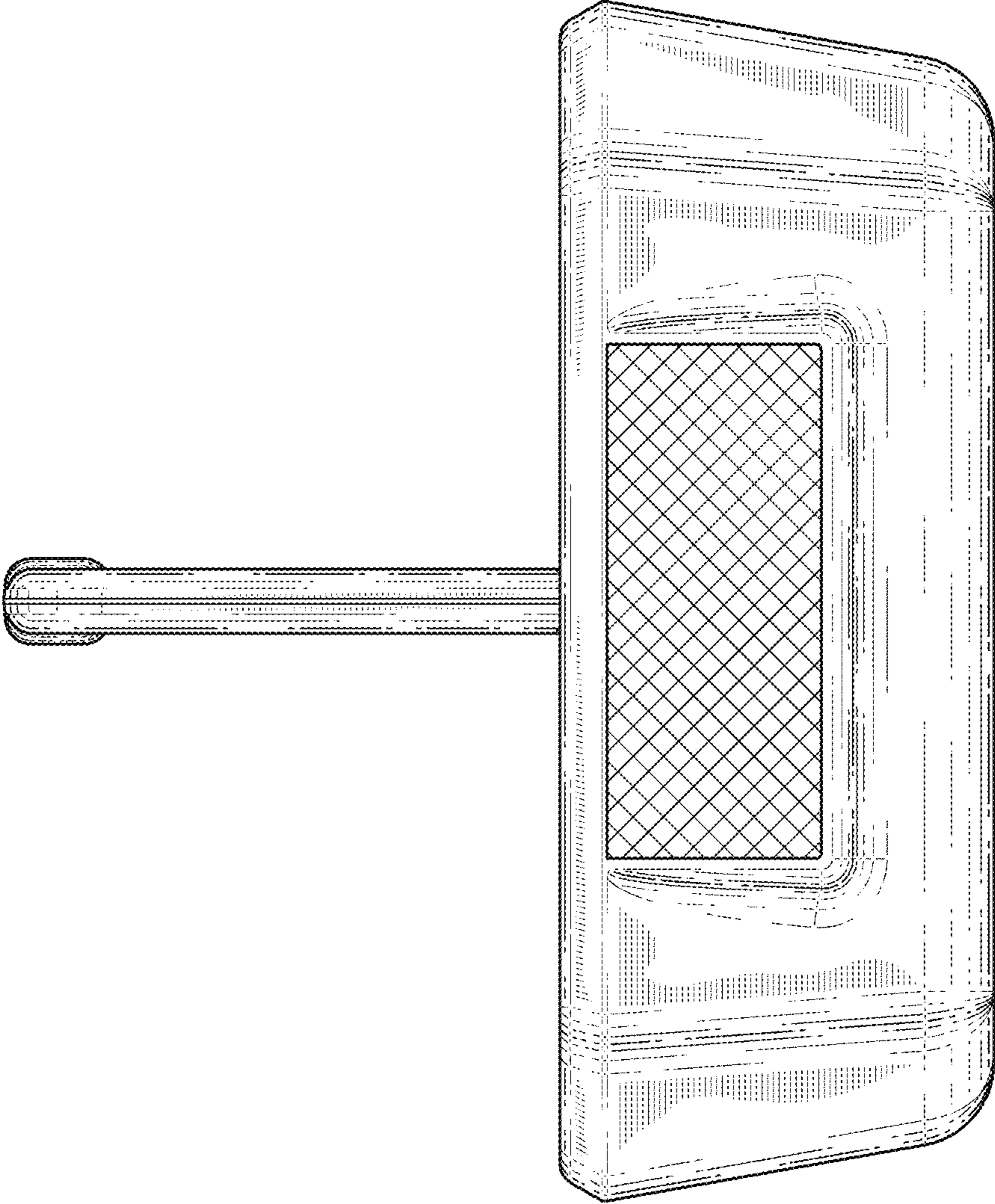


FIG. 2

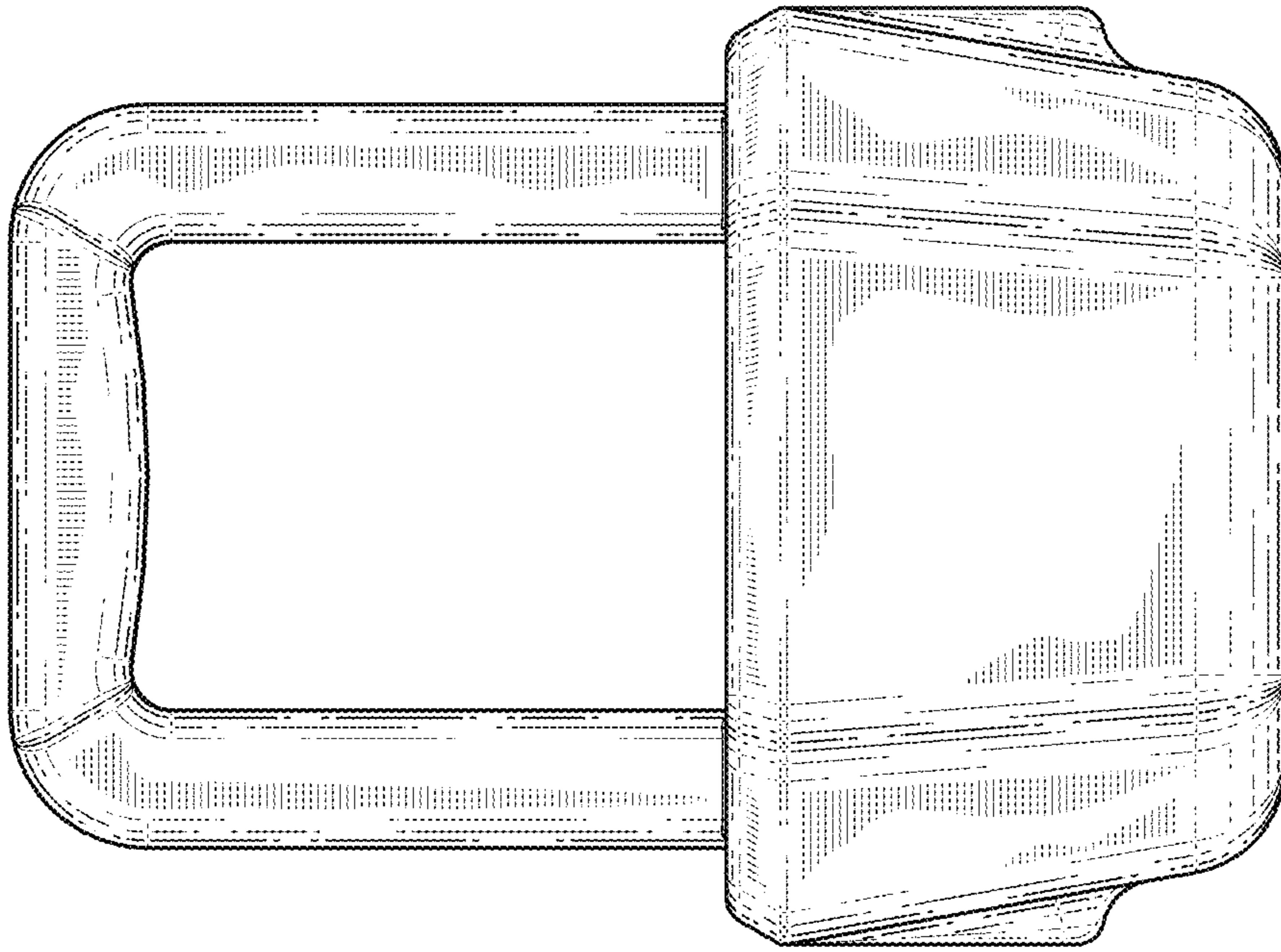


FIG. 5

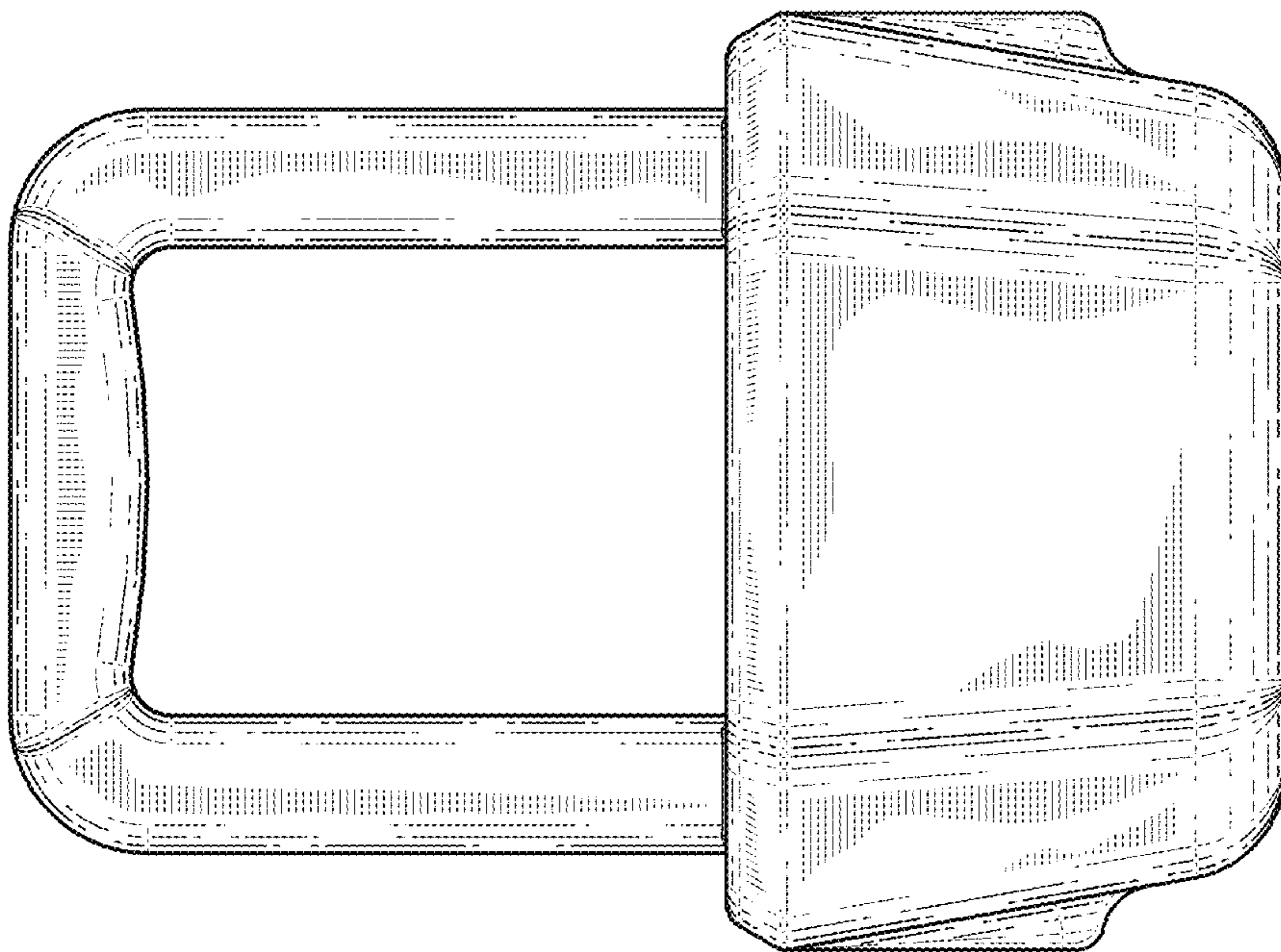


FIG. 3

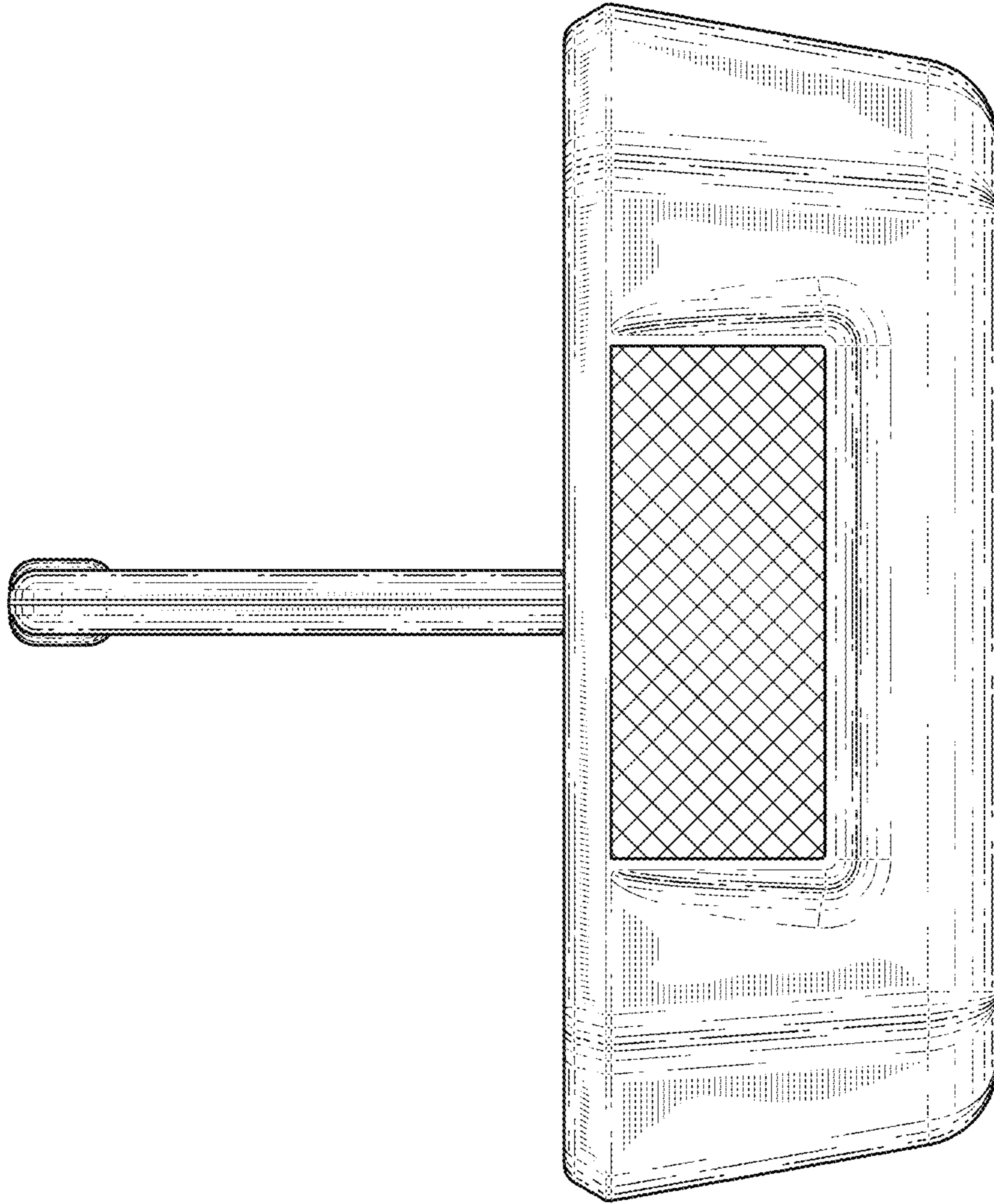


FIG. 4

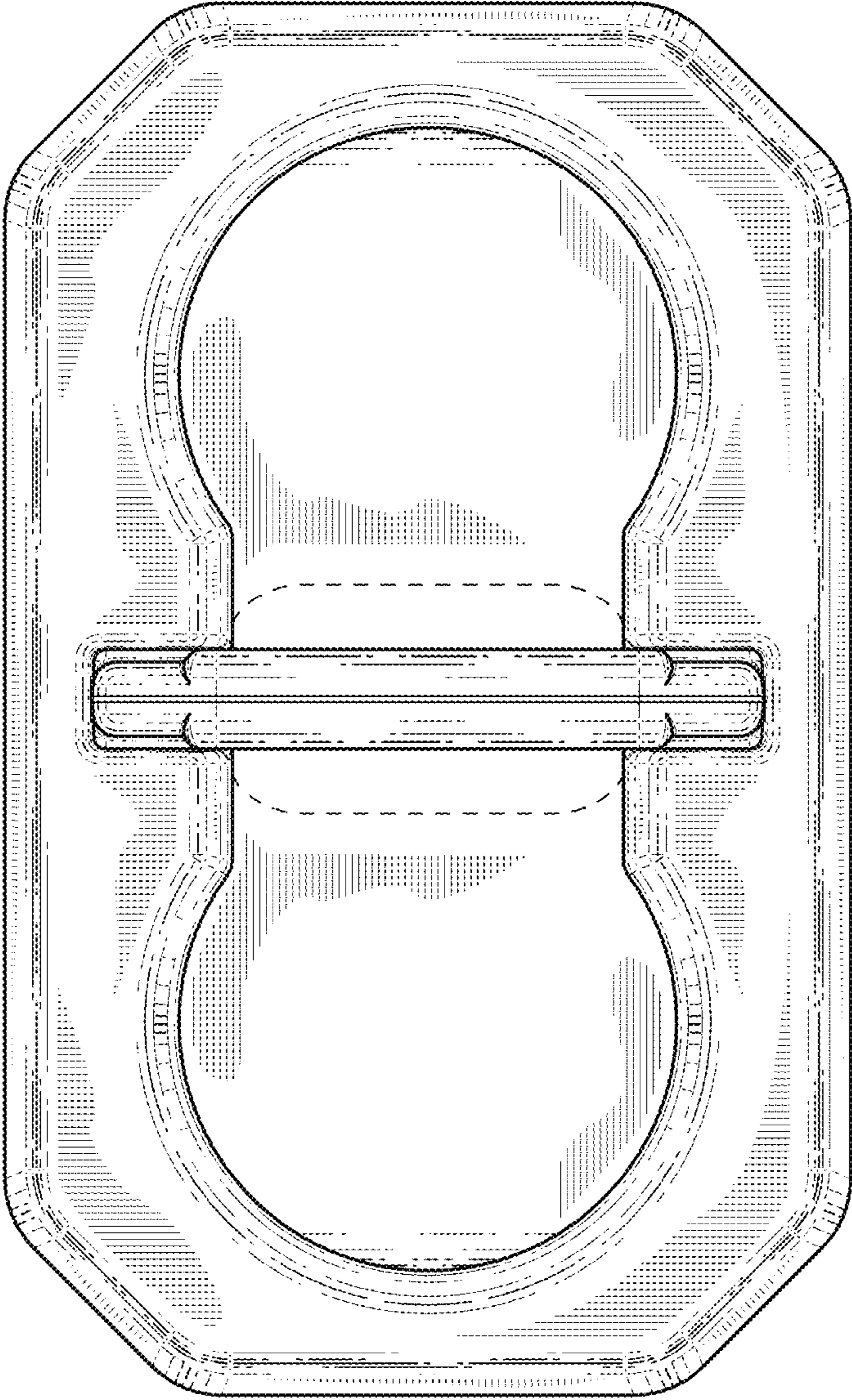


FIG. 6

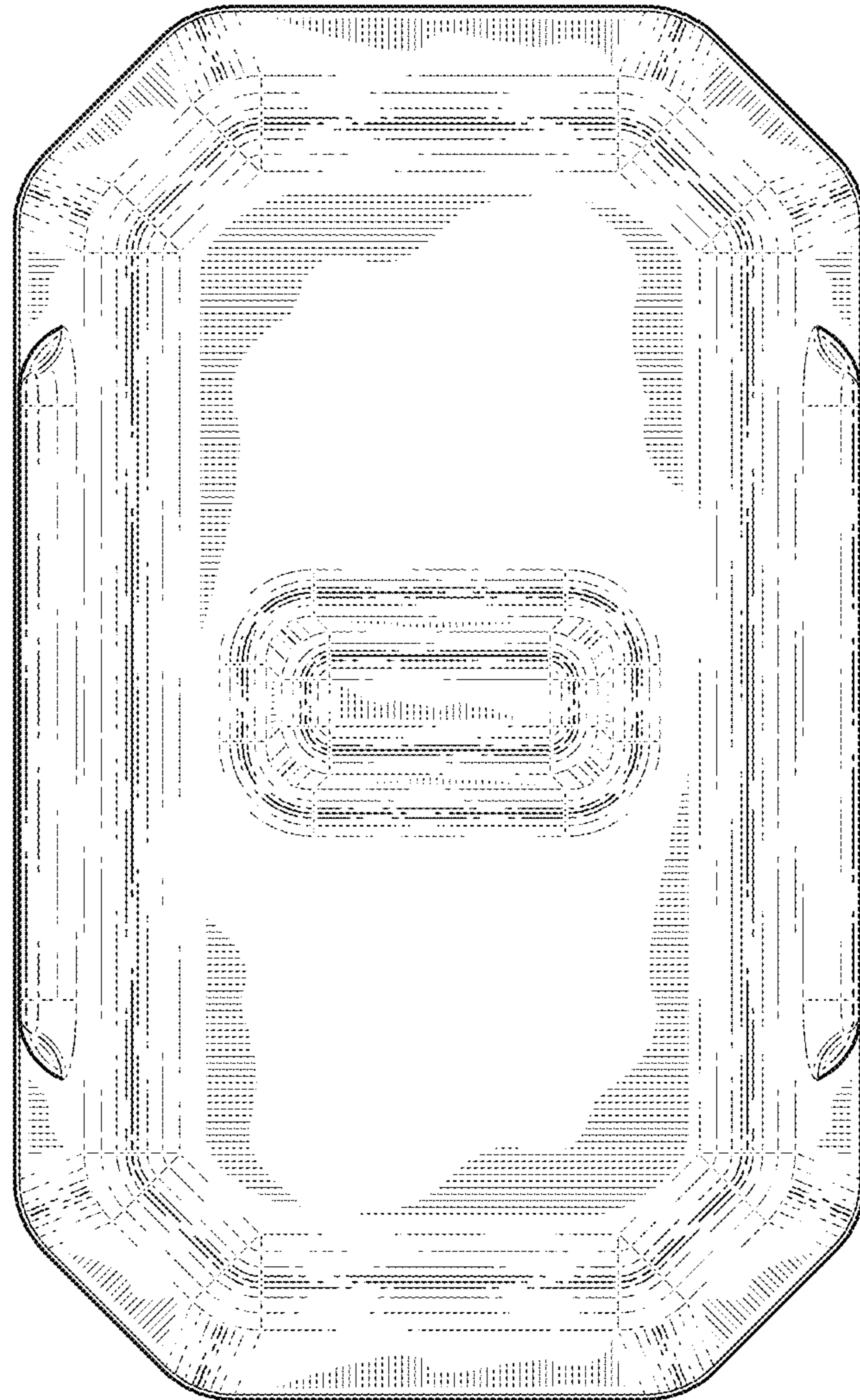


FIG. 7