



US00D792098S

(12) **United States Design Patent** (10) **Patent No.:** **US D792,098 S**
Aquino et al. (45) **Date of Patent:** **** Jul. 18, 2017**

- (54) **CRATE**
- (71) Applicant: **PepsiCo, Inc.**, Purchase, NY (US)
- (72) Inventors: **Matthieu Aquino**, New York, NY (US);
Federico Casotto, Bologna (IT);
Gustavo De Souza Messias, Milan (IT)
- (73) Assignee: **PepsiCo, Inc.**, Purchase, NY (US)
- (**) Term: **15 Years**
- (21) Appl. No.: **29/583,958**
- (22) Filed: **Nov. 10, 2016**

- 4,548,320 A * 10/1985 Box B65D 1/243
206/427
- D318,552 S * 7/1991 Apps D3/313
- D319,522 S * 8/1991 Umiker D3/313
- 5,097,980 A * 3/1992 Warwick B65D 1/243
206/427
- D326,346 S 5/1992 Osakada
- D343,042 S * 1/1994 Apps D3/314
- D356,679 S 3/1995 Apps et al.
- D359,850 S 7/1995 Staubitz et al.
- D360,758 S 8/1995 Umiker
- D360,979 S 8/1995 Steffensen
- D370,344 S 6/1996 Kim
- D619,889 S 7/2010 Short et al.
- D662,783 S * 7/2012 Lee D7/602
- D665,846 S 8/2012 Chuang
- D722,946 S 2/2015 Armstrong et al.
- D753,393 S 4/2016 Haas et al.
- D773,188 S * 12/2016 Aquino D3/304

Related U.S. Application Data

- (63) Continuation of application No. 29/524,598, filed on Apr. 21, 2015, now Pat. No. Des. 773,188.
- (51) **LOC (10) Cl.** **03-01**
- (52) **U.S. Cl.**
USPC **D3/304**
- (58) **Field of Classification Search**
USPC D3/304, 314-315, 318, 328; D6/672,
D6/673, 675, 682, 682.1, 683
CPC B65D 250/124; B65D 19/00; B65D 21/00;
B65D 25/005
See application file for complete search history.

* cited by examiner

Primary Examiner — Kelley Donnelly

(74) *Attorney, Agent, or Firm* — Sterne, Kessler, Goldstein & Fox P.L.L.C.

(57) **CLAIM**

The ornamental design for a crate, as shown and described.

DESCRIPTION

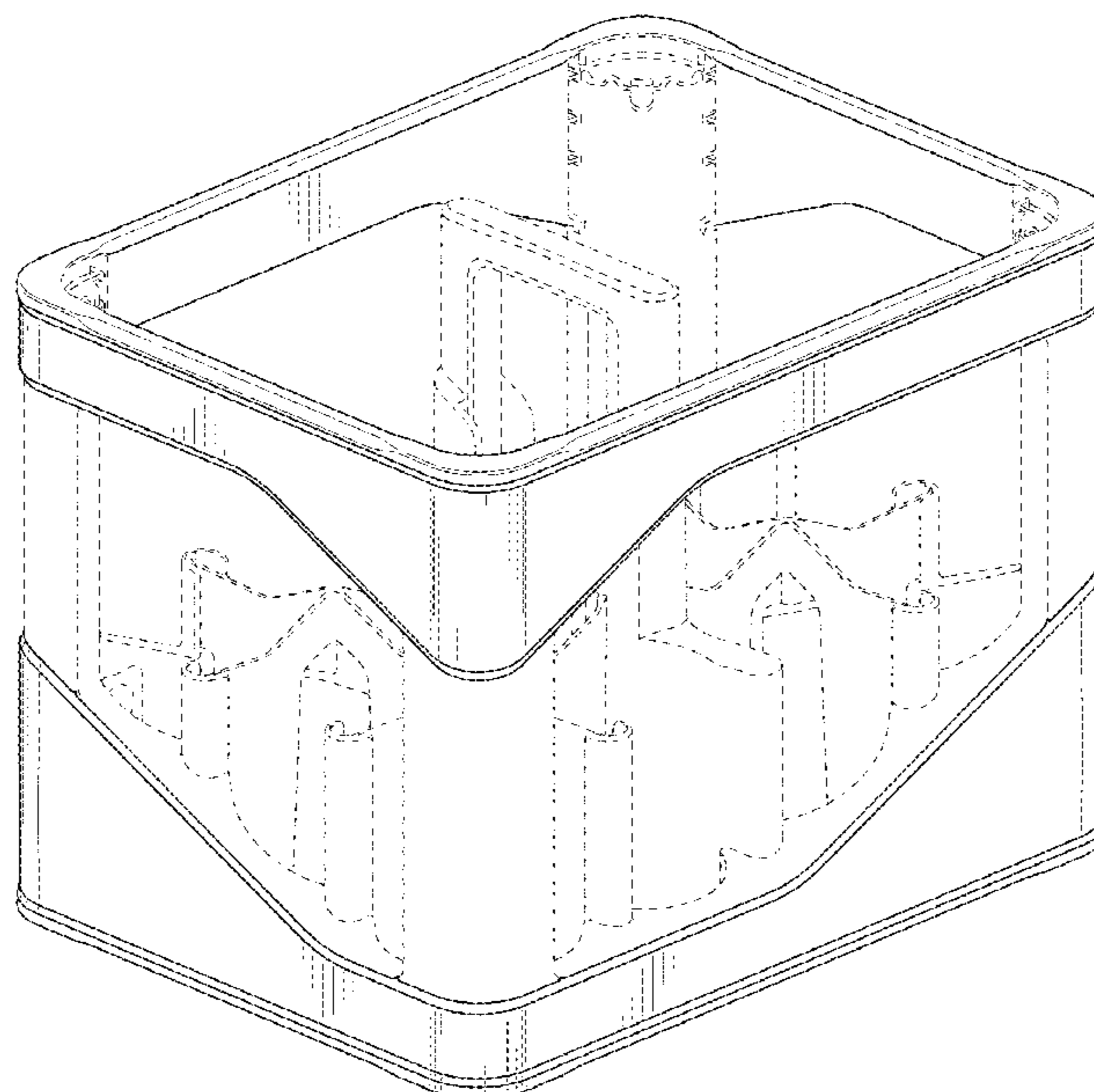
FIG. 1 is a top front perspective view of a crate showing the claimed design;
 FIG. 2 is a top rear perspective view thereof;
 FIG. 3 is a front view thereof;
 FIG. 4 is a rear view thereof;
 FIG. 5 is a left side view thereof; and,
 FIG. 6 is a right side view thereof.
 The broken lines in the figures show portions of the crate that form no part of the claimed design.

(56) **References Cited**

U.S. PATENT DOCUMENTS

- D217,901 S 6/1970 Rehrig
- D231,771 S 6/1974 Gary
- D234,679 S 4/1975 Hirota
- D246,287 S 11/1977 Tietz
- 4,256,224 A * 3/1981 Hirota B65D 1/243
206/203
- D275,142 S 8/1984 Torokvei

1 Claim, 4 Drawing Sheets



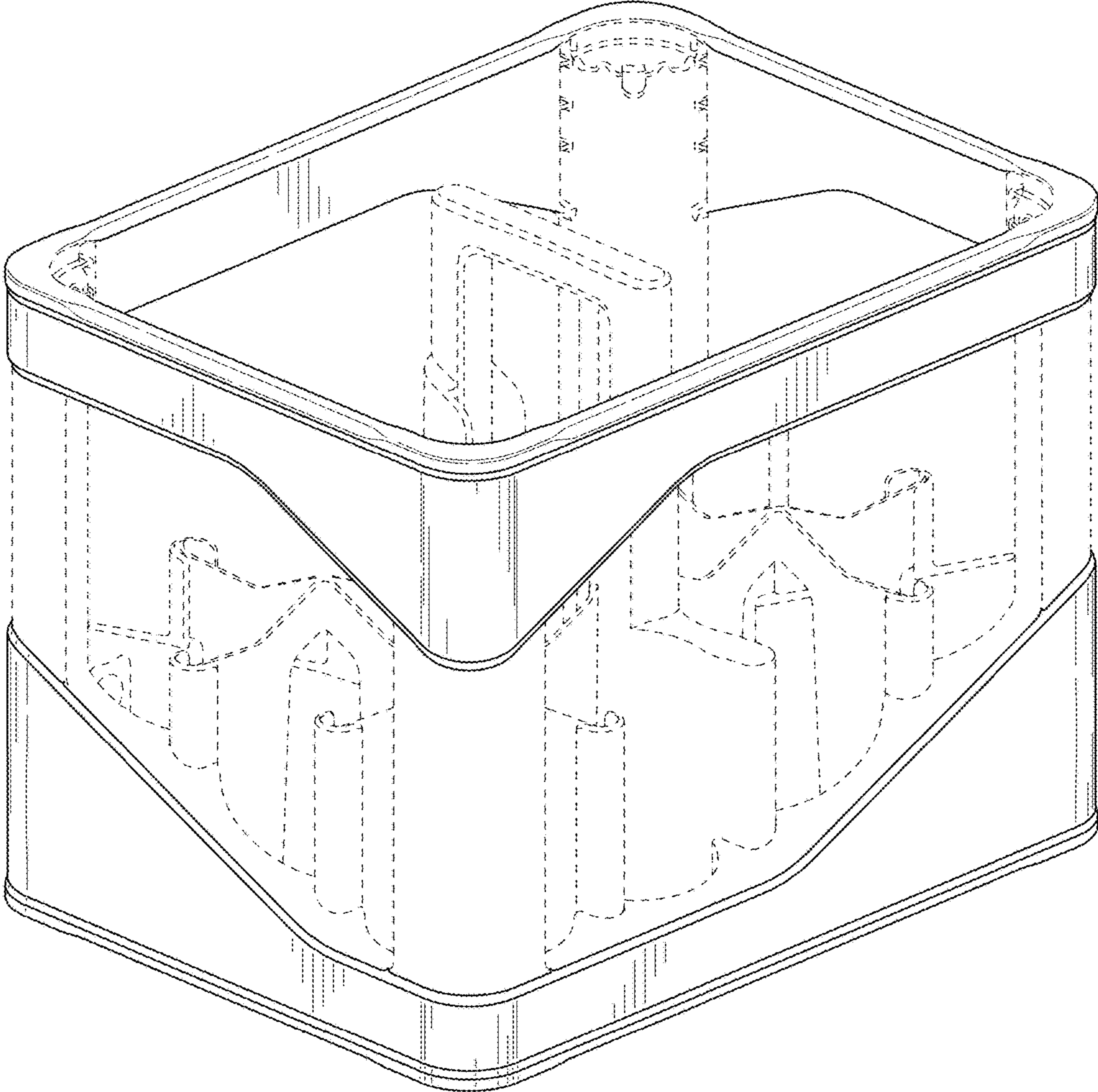


FIG. 1

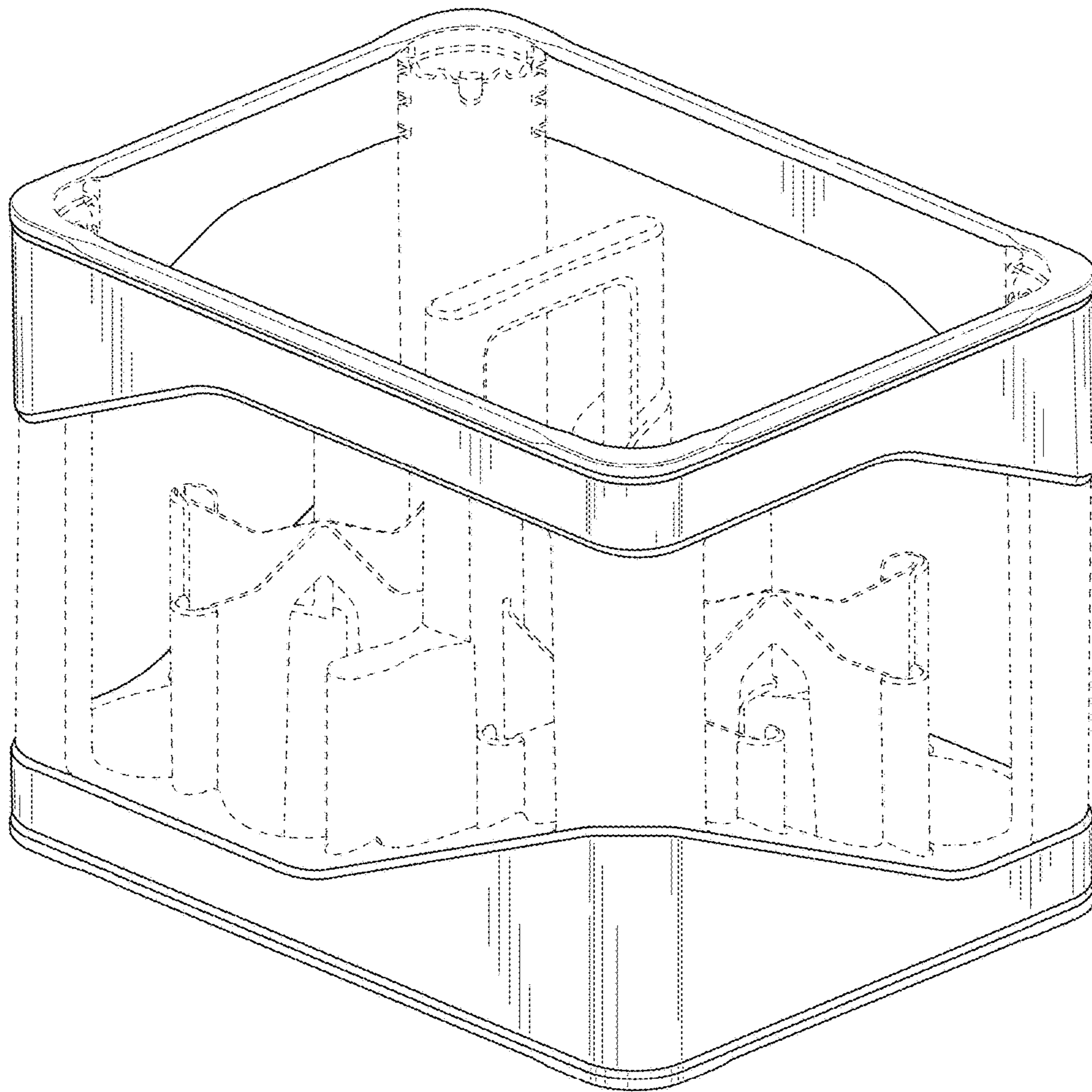


FIG. 2

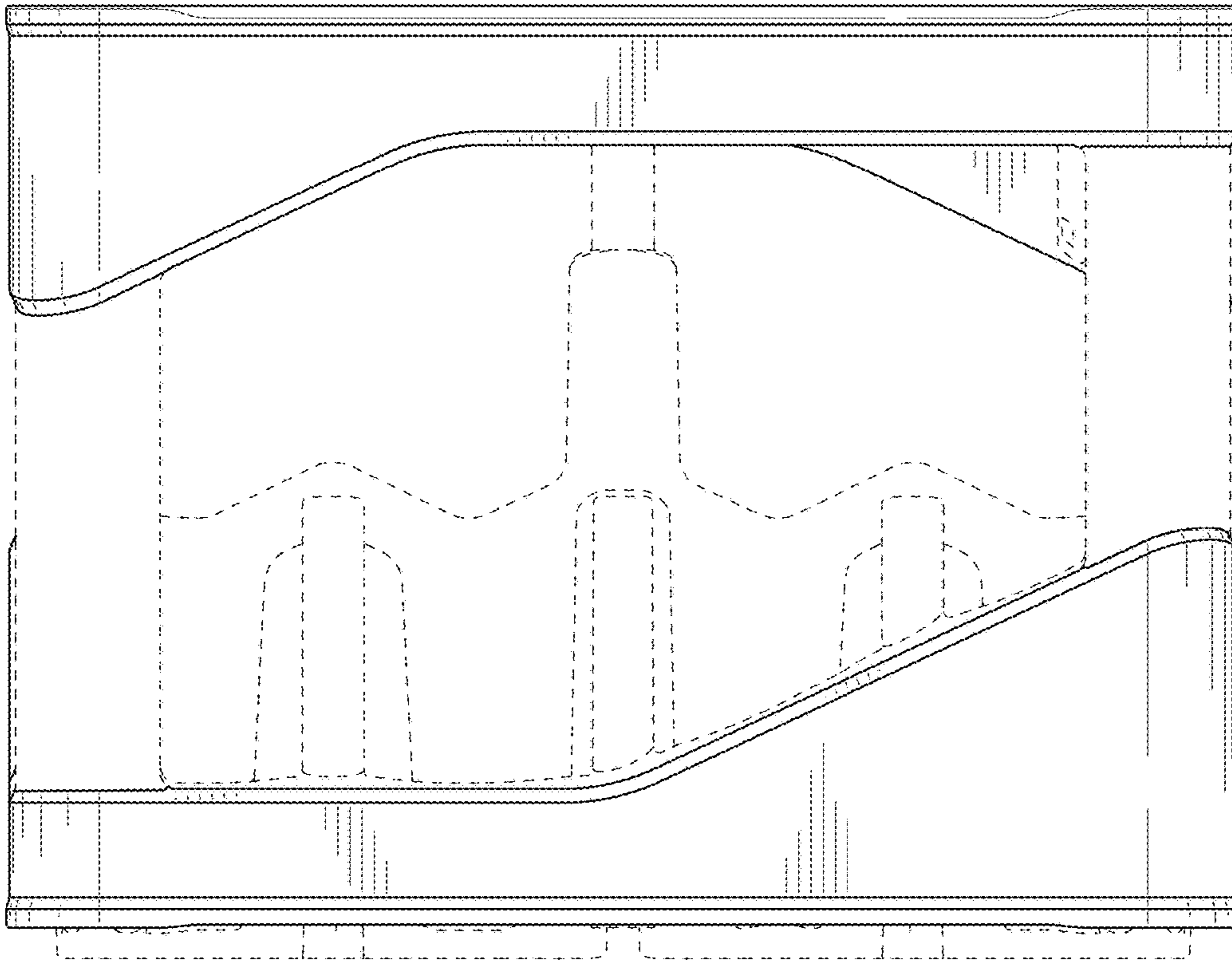


FIG. 3

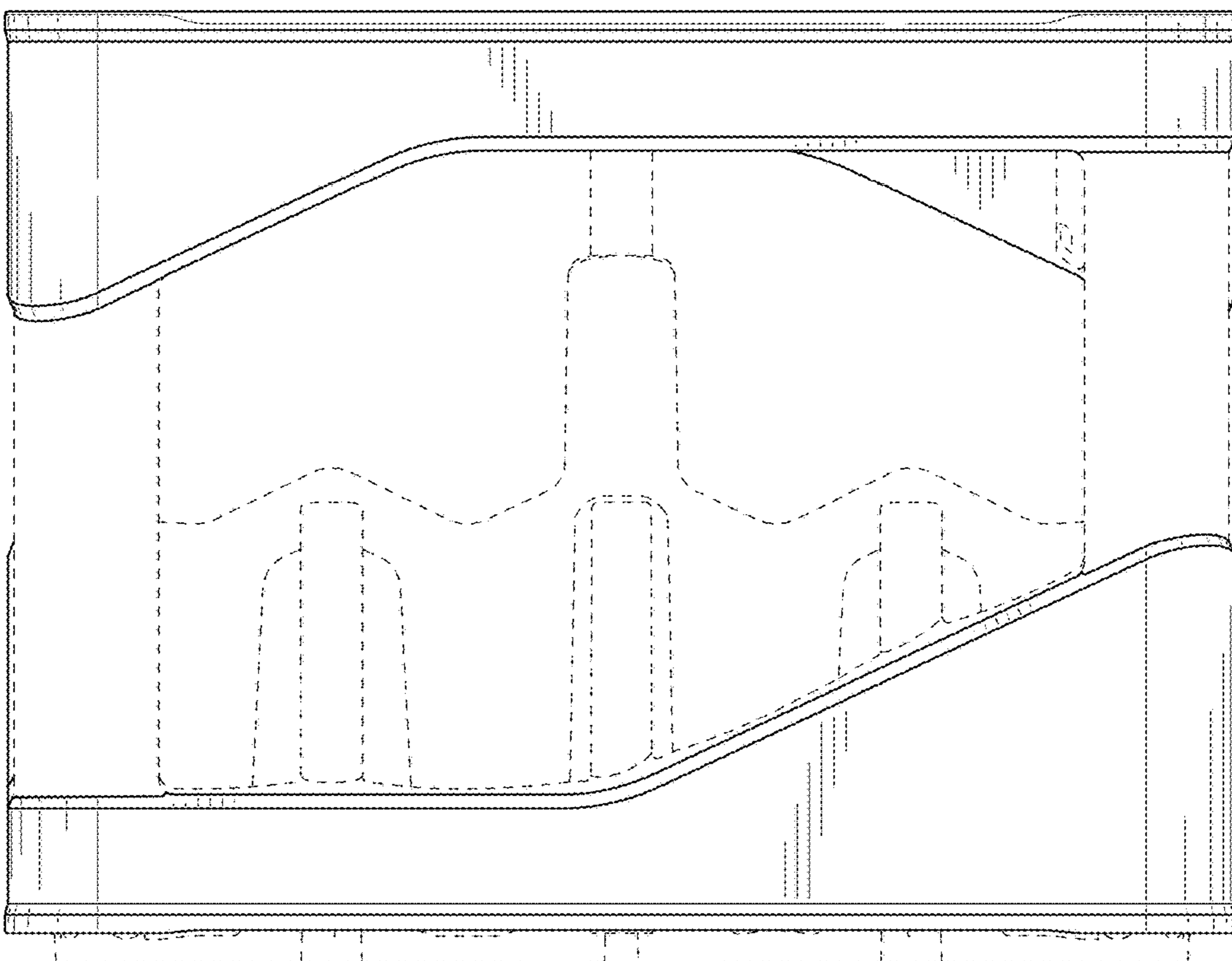


FIG. 4

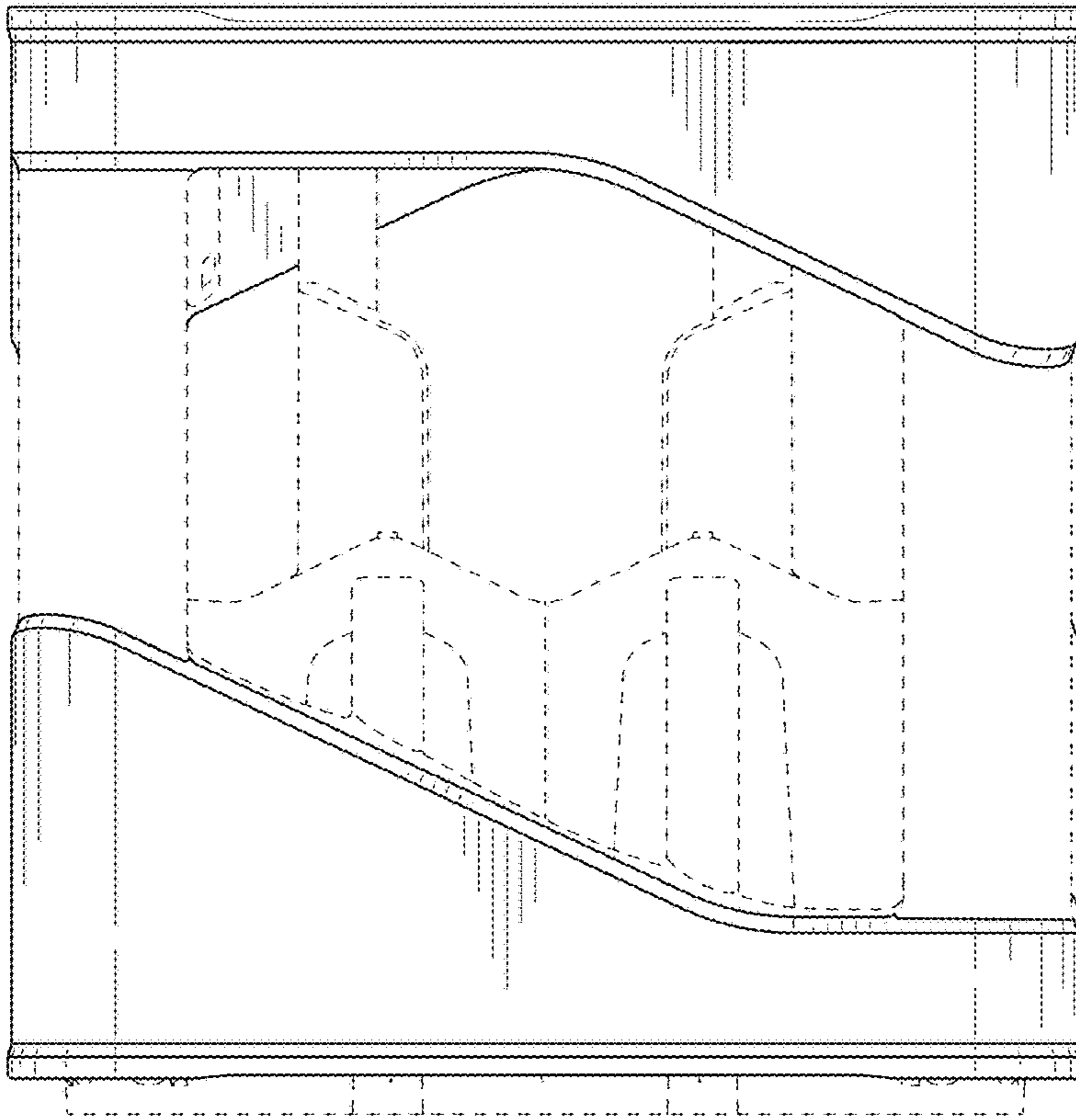


FIG. 5

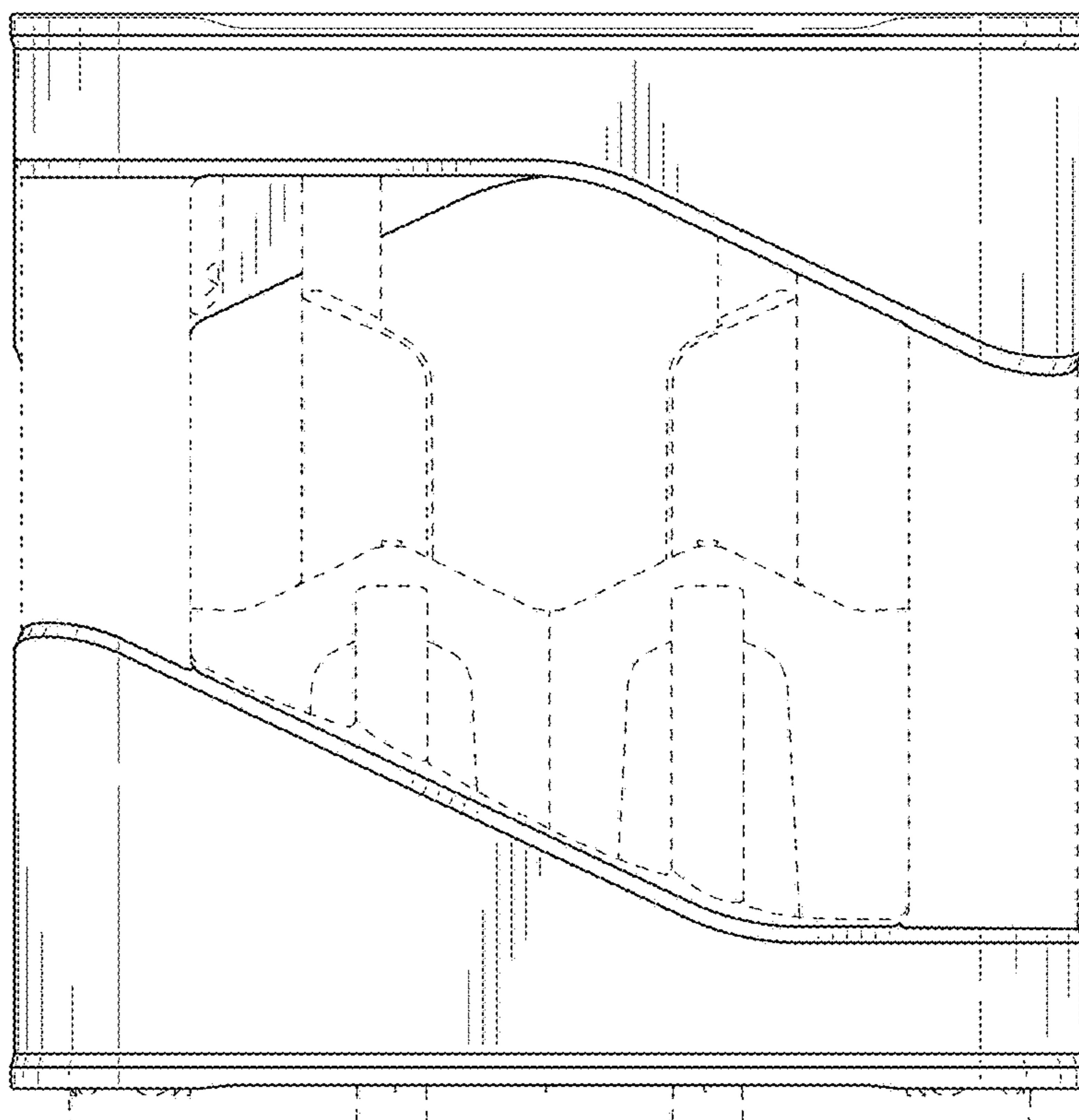


FIG. 6