

US00D792096S

(12) **United States Design Patent** (10) **Patent No.:** **US D792,096 S**
Picora (45) **Date of Patent:** **** Jul. 18, 2017**

- (54) **UMBRELLA POUCH**
- (71) Applicant: **Annette Picora**, New York, NY (US)
- (72) Inventor: **Annette Picora**, New York, NY (US)
- (**) Term: **15 Years**
- (21) Appl. No.: **29/528,221**
- (22) Filed: **May 27, 2015**
- (51) **LOC (10) Cl.** **03-01**
- (52) **U.S. Cl.**
 USPC **D3/303**
- (58) **Field of Classification Search**
 USPC D3/234, 255, 271.9, 320, 256, 262, 279,
 D3/299, 301, 303, 318, 319, 273, 289,
 D3/292, 294–296, 232, 244; D9/420, 424
 CPC .. A45C 1/00; A45C 1/02; A45C 1/024; A45C
 1/08; A45C 3/00; A45C 3/10; A45C
 2003/001; A45C 2011/003; A45C 5/00;
 A45C 7/00; A45C 7/0018; A45C 7/0054;
 A45C 7/0059; A45C 7/0095; A45C
 2200/00; A45C 13/00; A45C 13/001;
 A45C 13/002; A45C 13/08; A45C 11/24;
 A45F 3/00; A45F 3/02; A45F 3/04; A45F
 3/06; A45F 2003/001; A45F 2003/002;
 A45F 2003/006; A45F 2200/00; A45F
 2200/0525
 See application file for complete search history.

(56) **References Cited**

U.S. PATENT DOCUMENTS

D209,863 S *	1/1968	Menschik	D3/303
D251,935 S *	5/1979	Ikezaki	D3/274
D279,939 S *	8/1985	Richardson	D3/274
D335,957 S *	6/1993	Cantrell	224/148.5
D373,678 S *	9/1996	Haigis	D3/229
D375,197 S *	11/1996	Laherty	D3/218
D393,742 S *	4/1998	El-Edwy	D3/11

D397,550 S *	9/1998	Coughlin	D3/229
D418,679 S *	1/2000	Chiapperini, Jr.	D3/245
D429,883 S *	8/2000	Roonan	D3/273
D432,785 S *	10/2000	Berg	D3/229
D437,481 S *	2/2001	Vazquez	D3/232
D456,605 S *	5/2002	Vazquez	D3/244
6,401,993 B1 *	6/2002	Andrino	A45F 5/00 224/148.5
D474,887 S *	5/2003	Forster	D3/229
D489,178 S *	5/2004	McMahan	D3/235
D538,040 S *	3/2007	Vazquez	D3/303
D549,444 S *	8/2007	Schnackenberg	D3/202
D581,658 S *	12/2008	Leslie	D3/229

(Continued)

Primary Examiner — Sandra Snapp
Assistant Examiner — Holly E Thurman
 (74) *Attorney, Agent, or Firm* — Dunlap Bennett & Ludwig PLLC

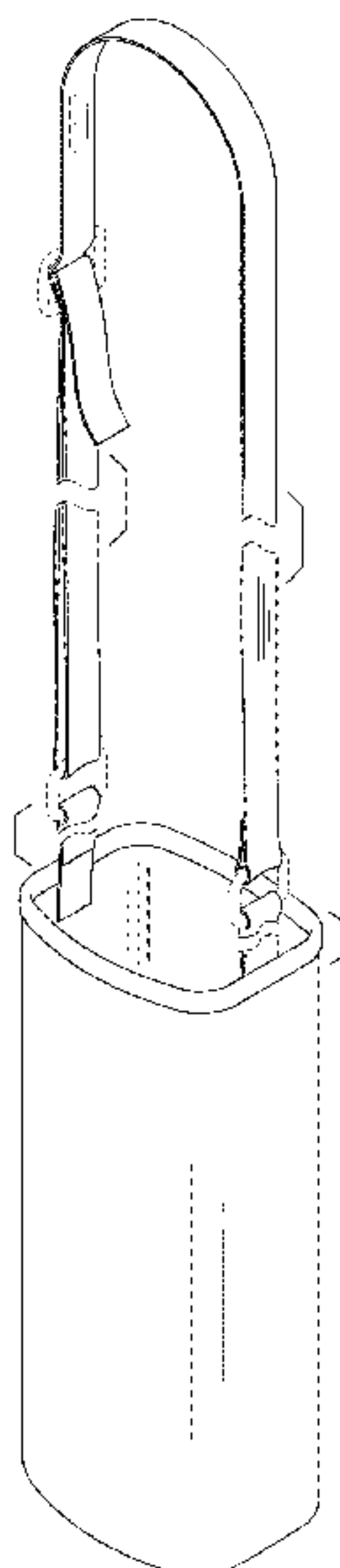
(57) **CLAIM**

The ornamental design for an umbrella pouch, as shown and described.

DESCRIPTION

FIG. 1 is a top front perspective view of a umbrella pouch; FIG. 2 is a front elevation view thereof, the rear elevation view is a mirror image thereof; FIG. 3 is a left elevation view thereof; FIG. 4 is a right elevation view thereof; FIG. 5 is a top plan view thereof; and, FIG. 6 is a bottom plan view thereof. The broken lines shown in the drawings illustrate portions of the umbrella pouch that form no part of the claimed design. The cutaway symbols illustrated in break lines in the drawings indicate a symbolic break in the length of the design for the umbrella pouch indicating an indeterminate length. The appearance of any portion of the article between the break lines forms no part of the claimed design.

1 Claim, 3 Drawing Sheets



(56)

References Cited

U.S. PATENT DOCUMENTS

D609,454 S *	2/2010	Porter-Young	D3/202
D622,954 S *	9/2010	Porter-Young	D3/202
D656,071 S *	3/2012	Treon	D12/133
D731,785 S *	6/2015	Koester	D3/218
D766,570 S *	9/2016	Kao	D3/229

* cited by examiner

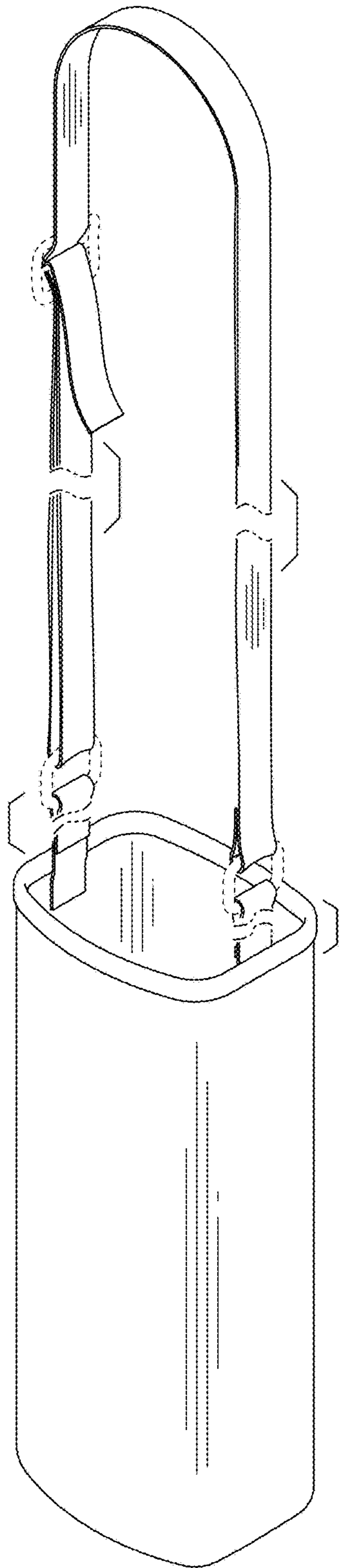


FIG. 1

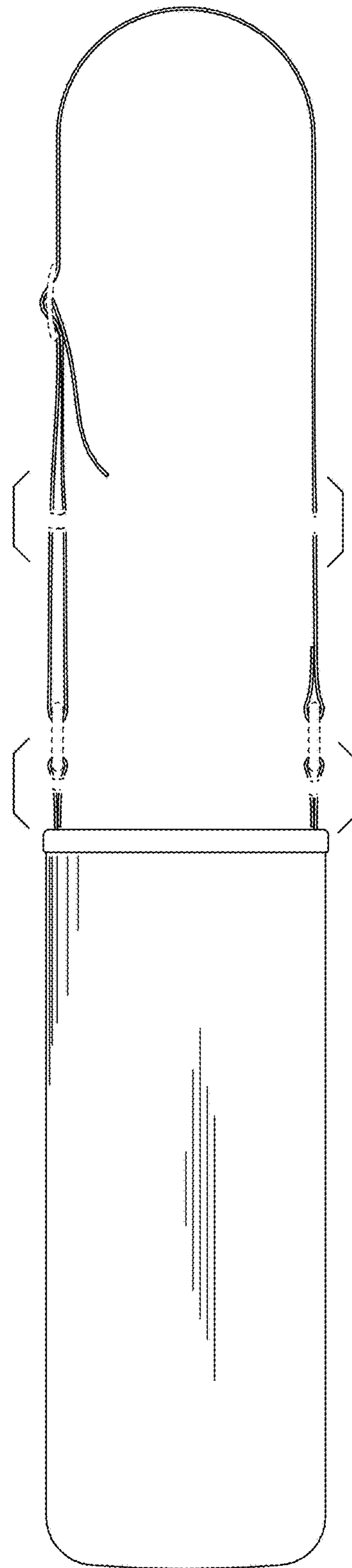


FIG. 2

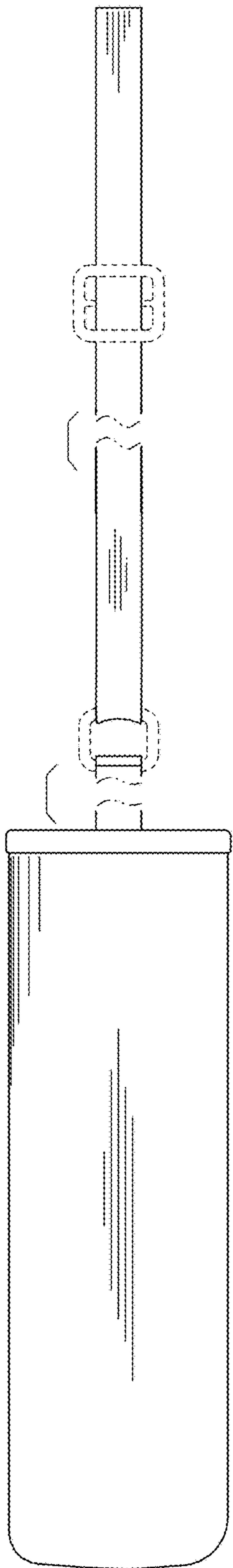


FIG. 3

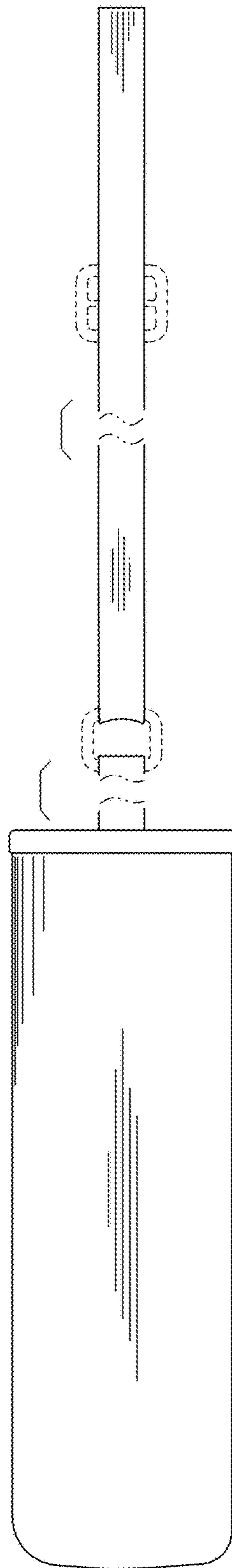


FIG. 4

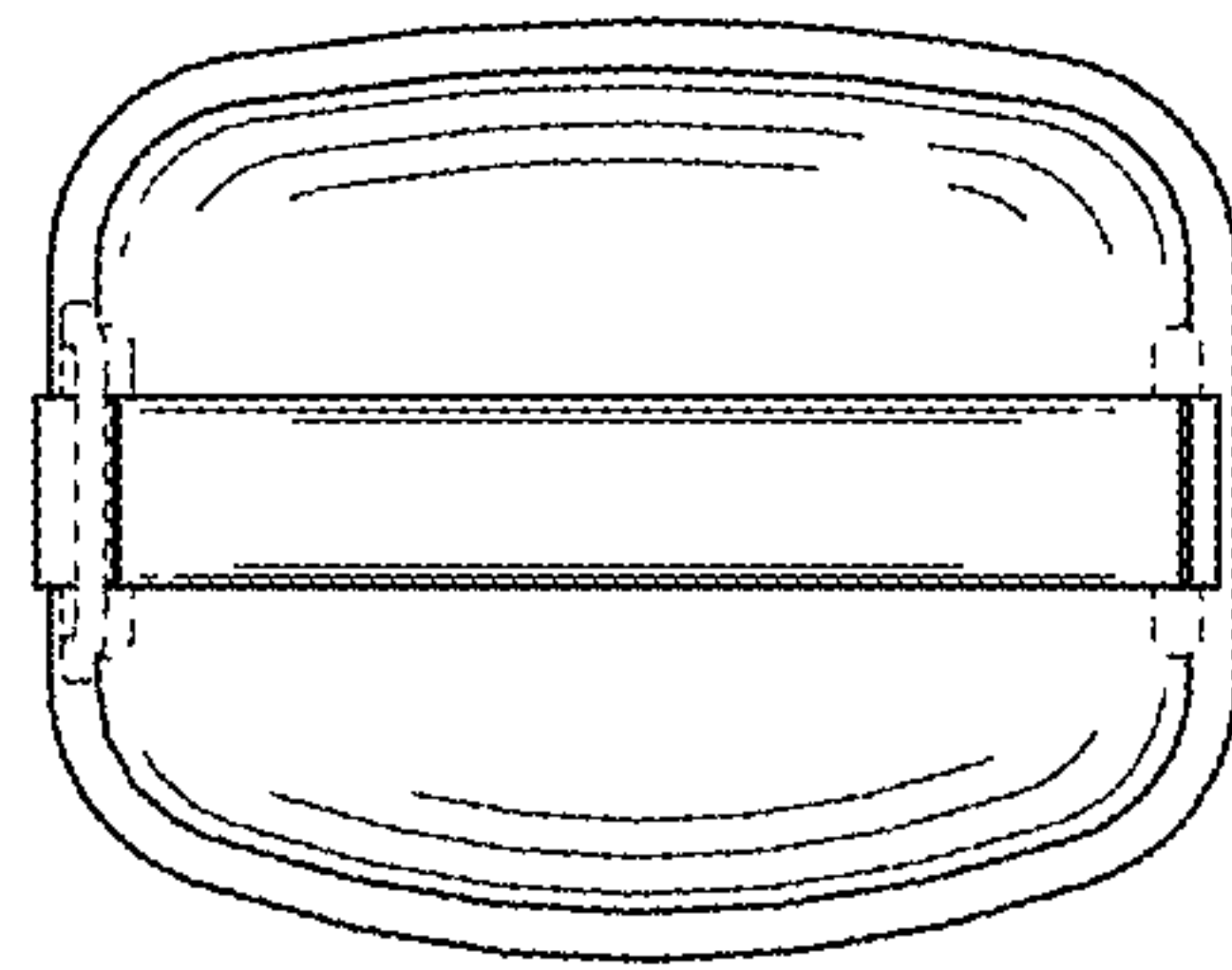


FIG. 5

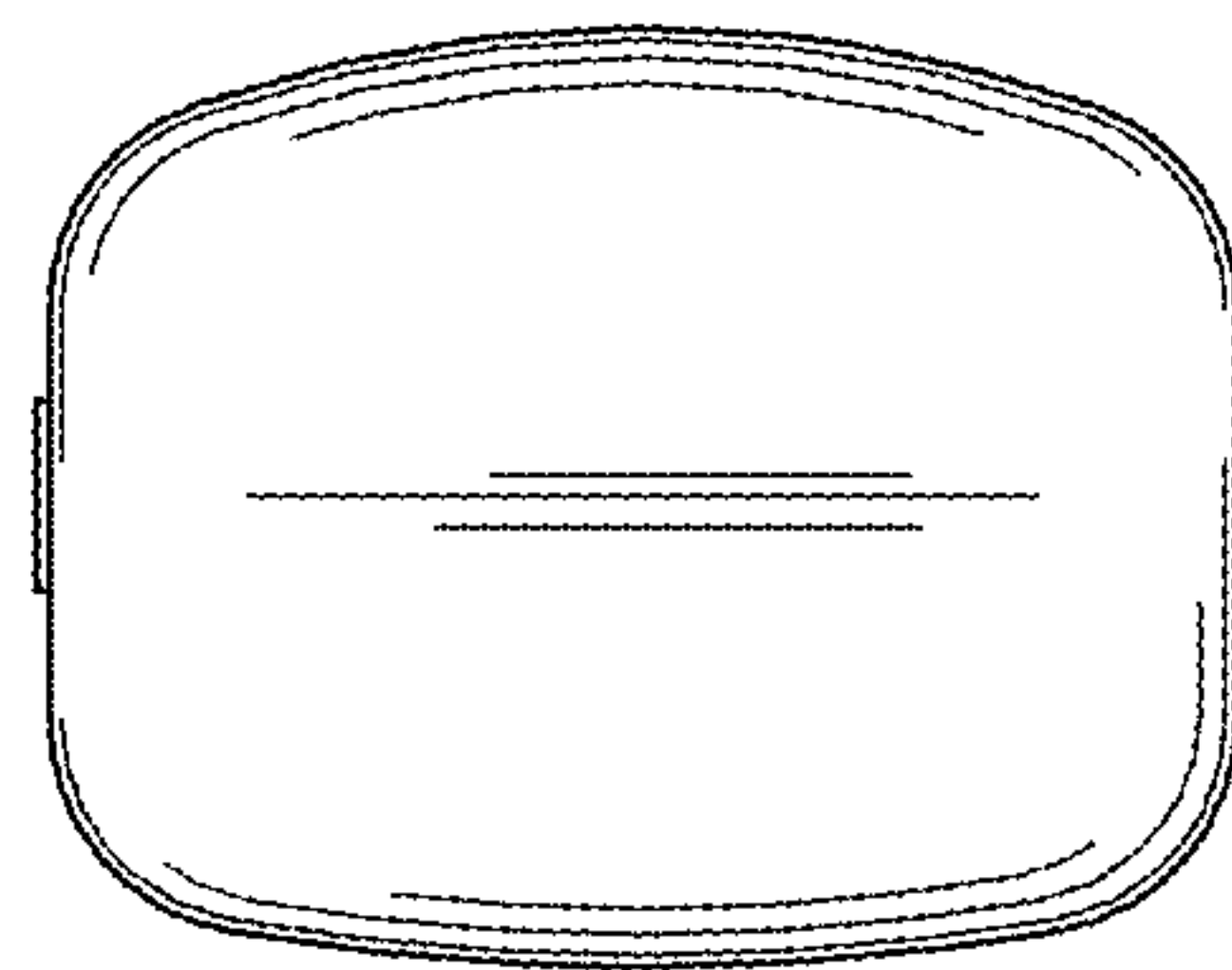


FIG. 6