



US00D792094S

(12) **United States Design Patent** (10) **Patent No.:** **US D792,094 S**
Stoikos et al. (45) **Date of Patent:** **** Jul. 18, 2017**

(54) **TOOLBOX**

(71) Applicants: **Christopher Stoikos**, Valley Center, CA (US); **Shaun T. Kjellman**, Kirkland, WA (US); **Zanfirescu Iulian-Alin**, Sag (RO)

(72) Inventors: **Christopher Stoikos**, Valley Center, CA (US); **Shaun T. Kjellman**, Kirkland, WA (US); **Zanfirescu Iulian-Alin**, Sag (RO)

(**) Term: **15 Years**

(21) Appl. No.: **29/533,281**

(22) Filed: **Jul. 15, 2015**

(51) **LOC (10) Cl.** **03-01**

(52) **U.S. Cl.**
USPC **D3/274; D3/279; D3/284; D3/905**

(58) **Field of Classification Search**
USPC **D3/905, 276, 279-284, 291, 294, 295, D3/298, 901, 302, 272, 273, 274, 903**
CPC . **B25H 3/02-3/028; B25H 3/00; B25H 3/003; B25H 3/006**
See application file for complete search history.

(56) **References Cited**

U.S. PATENT DOCUMENTS

5,810,168	A *	9/1998	Eggering	A45C 15/00	206/372
D441,531	S *	5/2001	Lee	D14/168	
6,318,713	B1 *	11/2001	Levi	B25H 1/04	206/216
6,761,366	B1 *	7/2004	Klemmensen	B25H 3/023	16/113.1
D710,099	S *	8/2014	Horovitz	D3/279	
D710,100	S *	8/2014	Brunner	D3/279	
D730,051	S *	5/2015	Whalen	D3/284	

D753,395	S *	4/2016	Brunner	D3/279	
2003/0106821	A1 *	6/2003	Bar-Erez	B25H 3/003	206/373
2004/0134818	A1 *	7/2004	Cunningham	B25H 3/023	206/373

OTHER PUBLICATIONS

Vimeo, "CoolBox v4 from Project Copilot", Posted Jan. 24, 2015. Accessed Nov. 22, 2016. (<https://vimeo.com/117660549>).*

* cited by examiner

Primary Examiner — Jennifer Rivard

Assistant Examiner — April Rivas

(74) *Attorney, Agent, or Firm* — QuickPatents, LLC; Kevin Prince

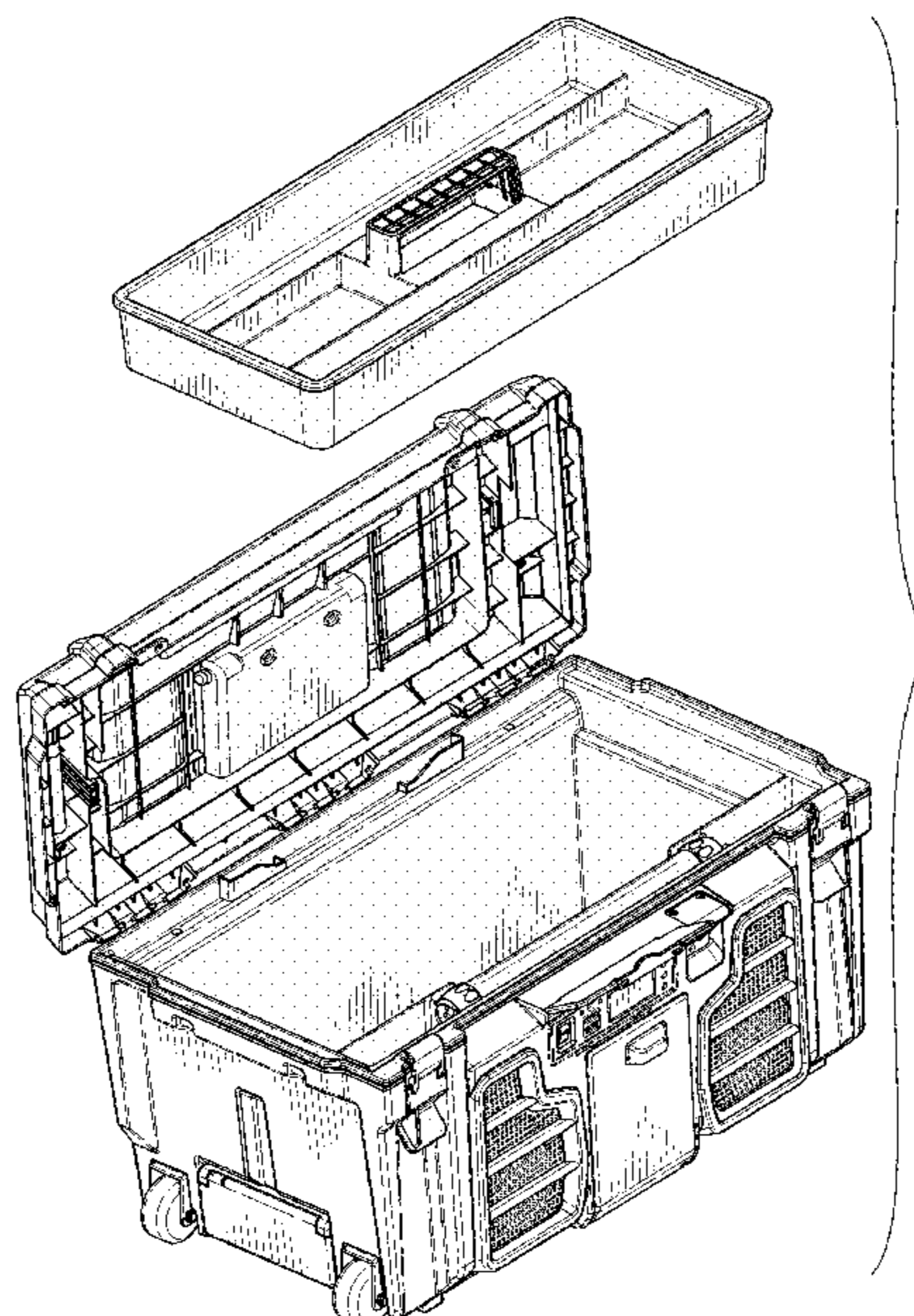
(57) **CLAIM**

We claim the ornamental design for a toolbox, as shown and described.

DESCRIPTION

FIG. 1 is an exploded top perspective view of a toolbox, showing my new design;
FIG. 2 is an exploded top plan view with the interior tray shown adjacent to the tool box for convenience of disclosure;
FIG. 3 is a top perspective view thereof;
FIG. 4 is a bottom perspective view thereof;
FIG. 5 is a front elevational view thereof;
FIG. 6 is a rear elevational view thereof;
FIG. 7 is a left-side elevational view thereof;
FIG. 8 is a right-side elevational view thereof;
FIG. 9 is a top plan view thereof; and,
FIG. 10 is a bottom plan view thereof.
The broken lines illustrate portions of the toolbox and form no part of the claimed design.

1 Claim, 9 Drawing Sheets



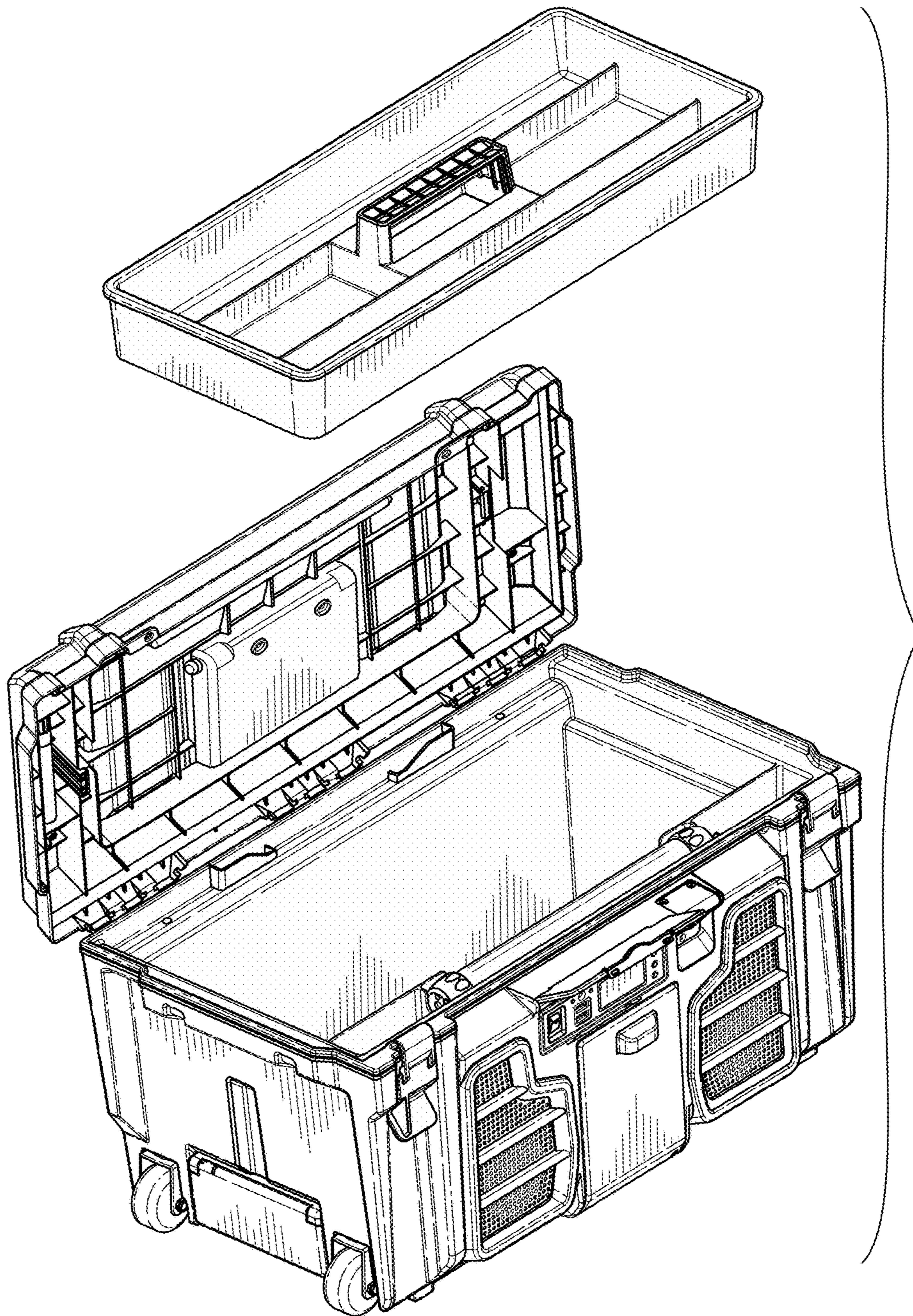


FIG. 1

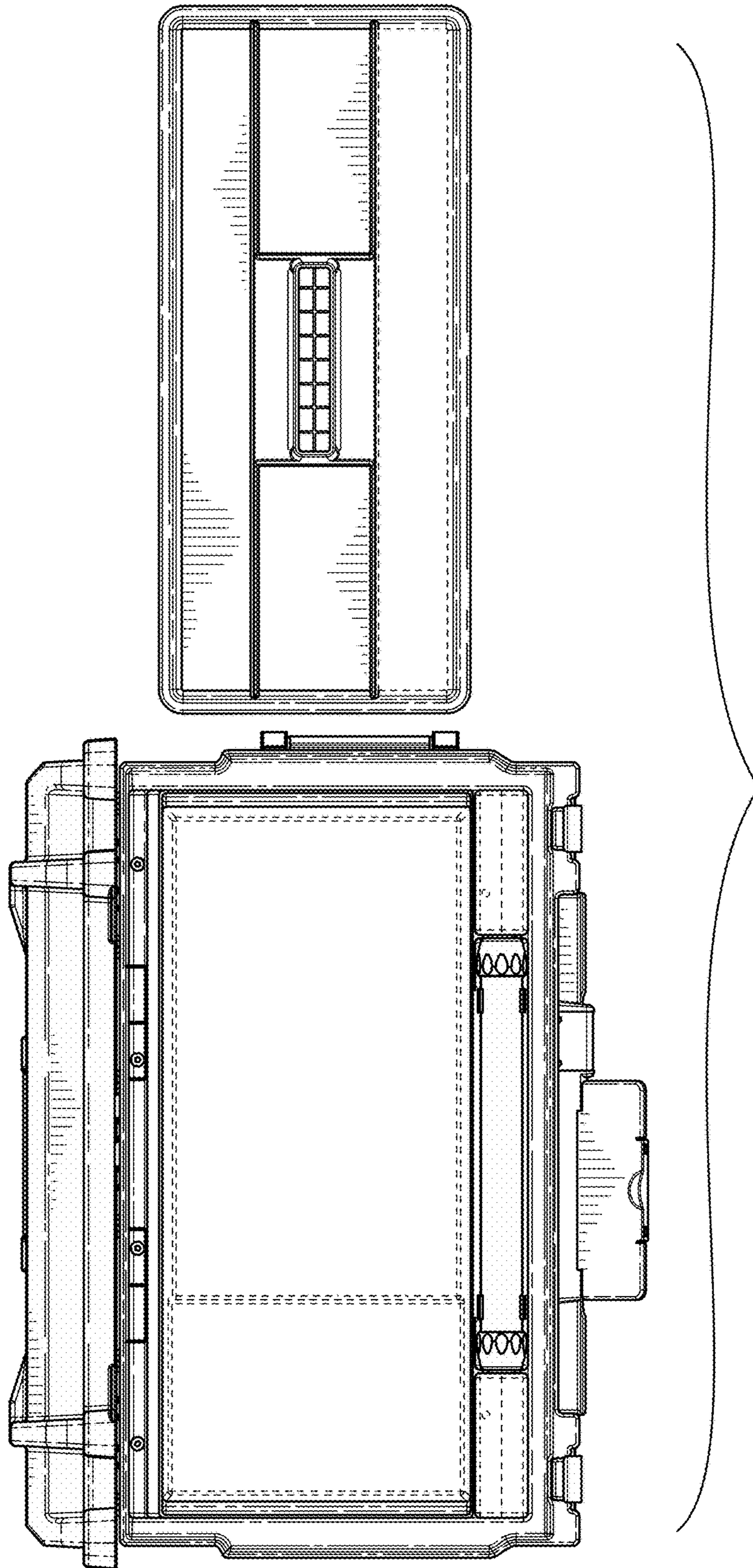


FIG. 2

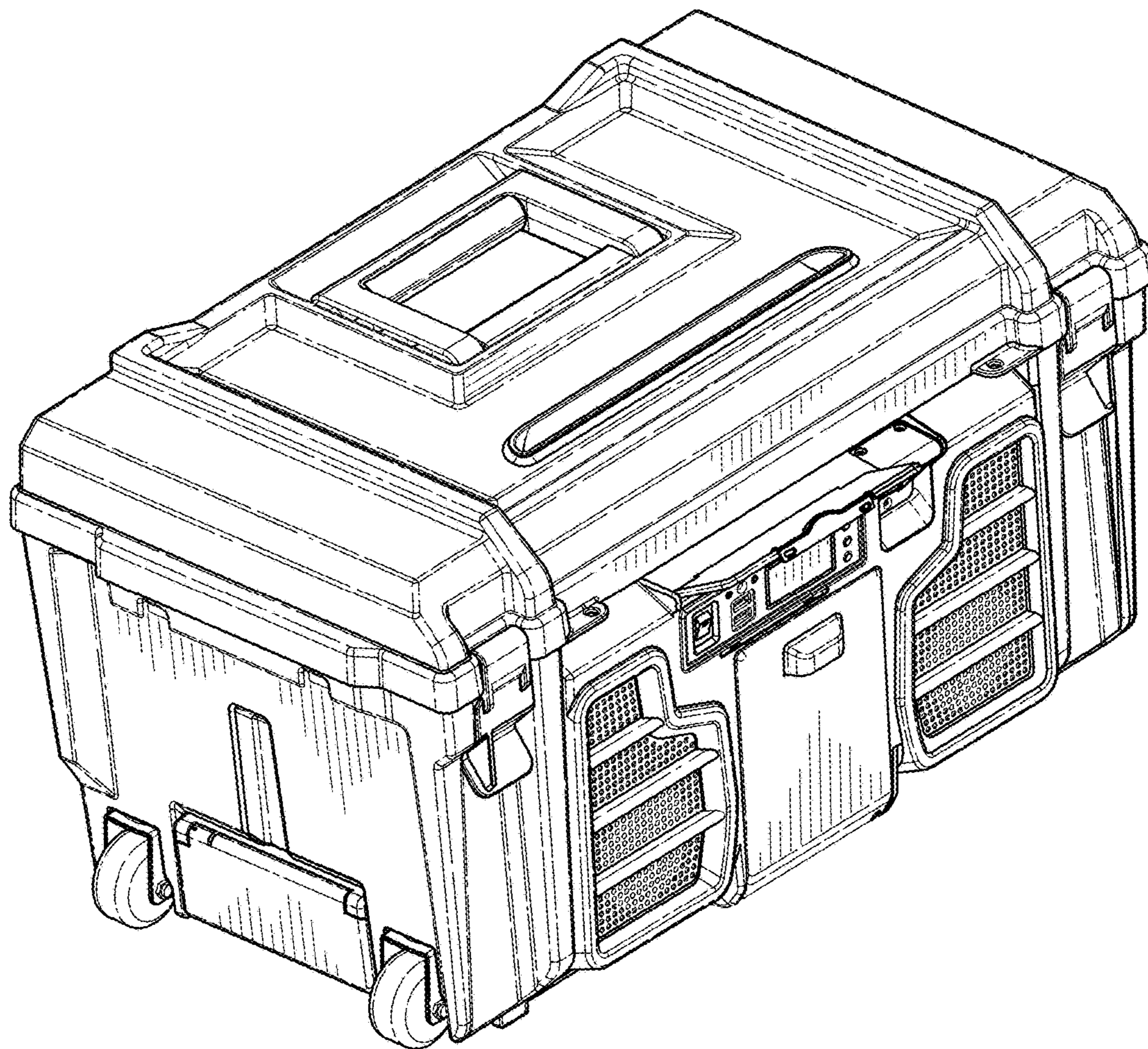


FIG. 3

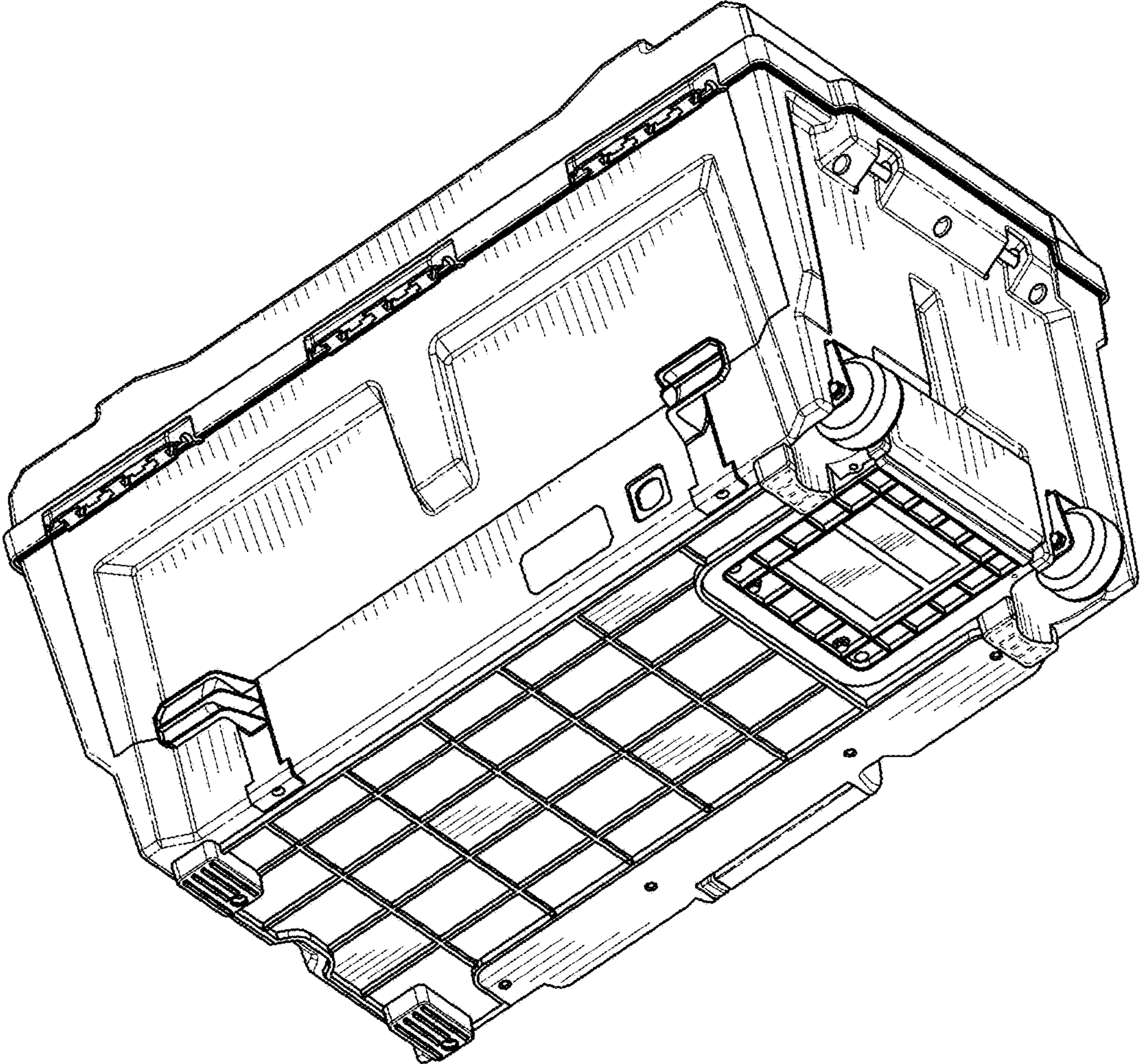


FIG. 4

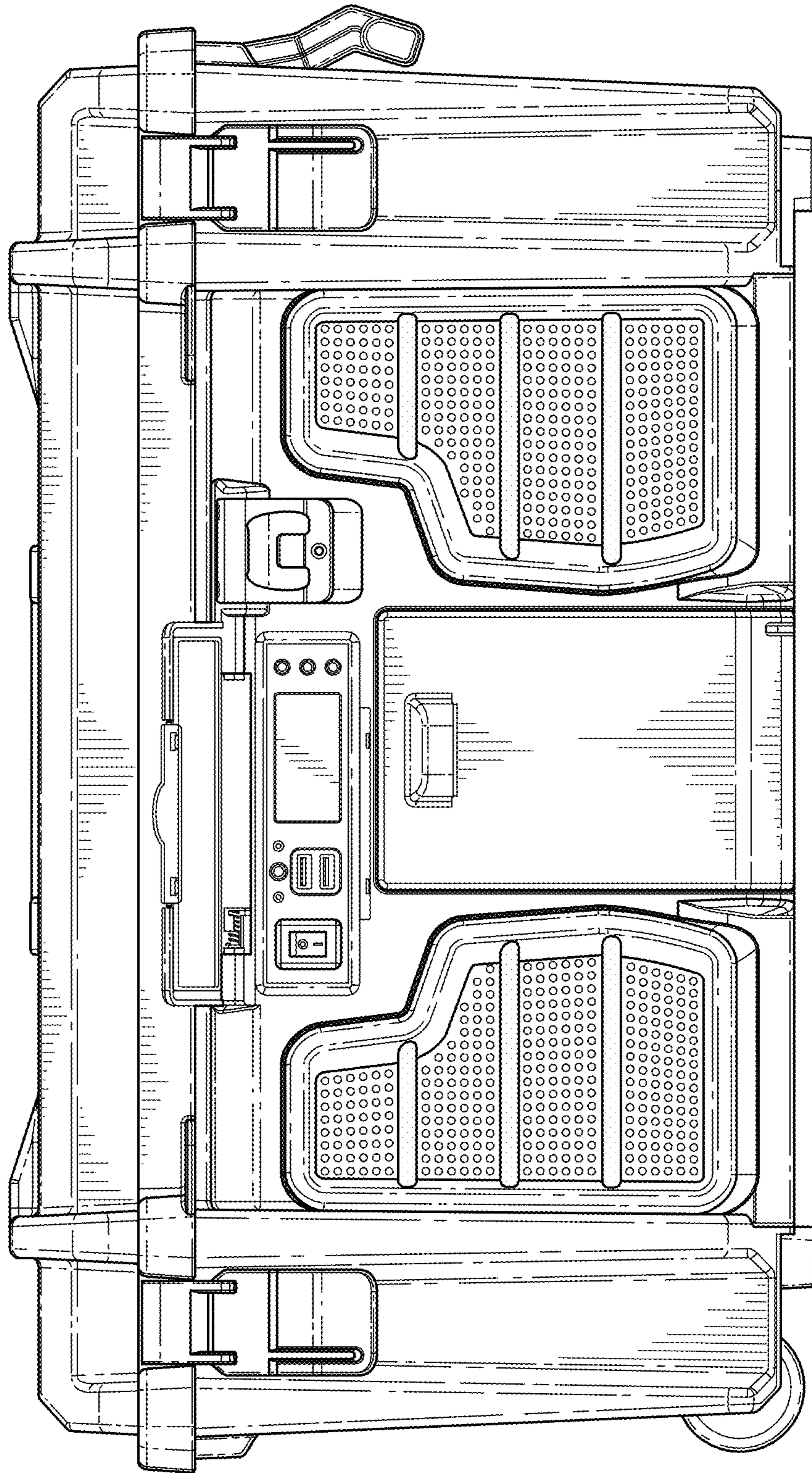


FIG. 5

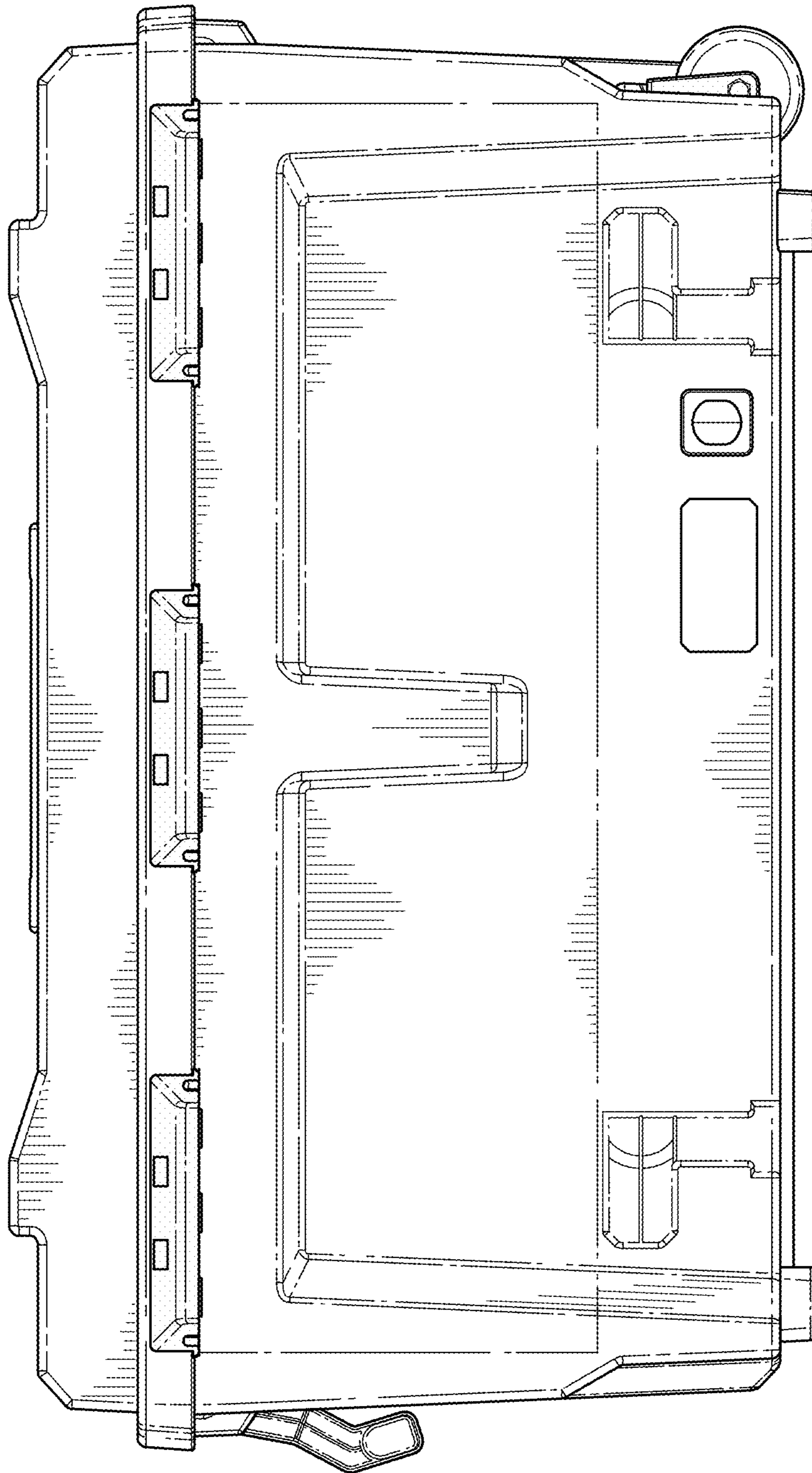


FIG. 6

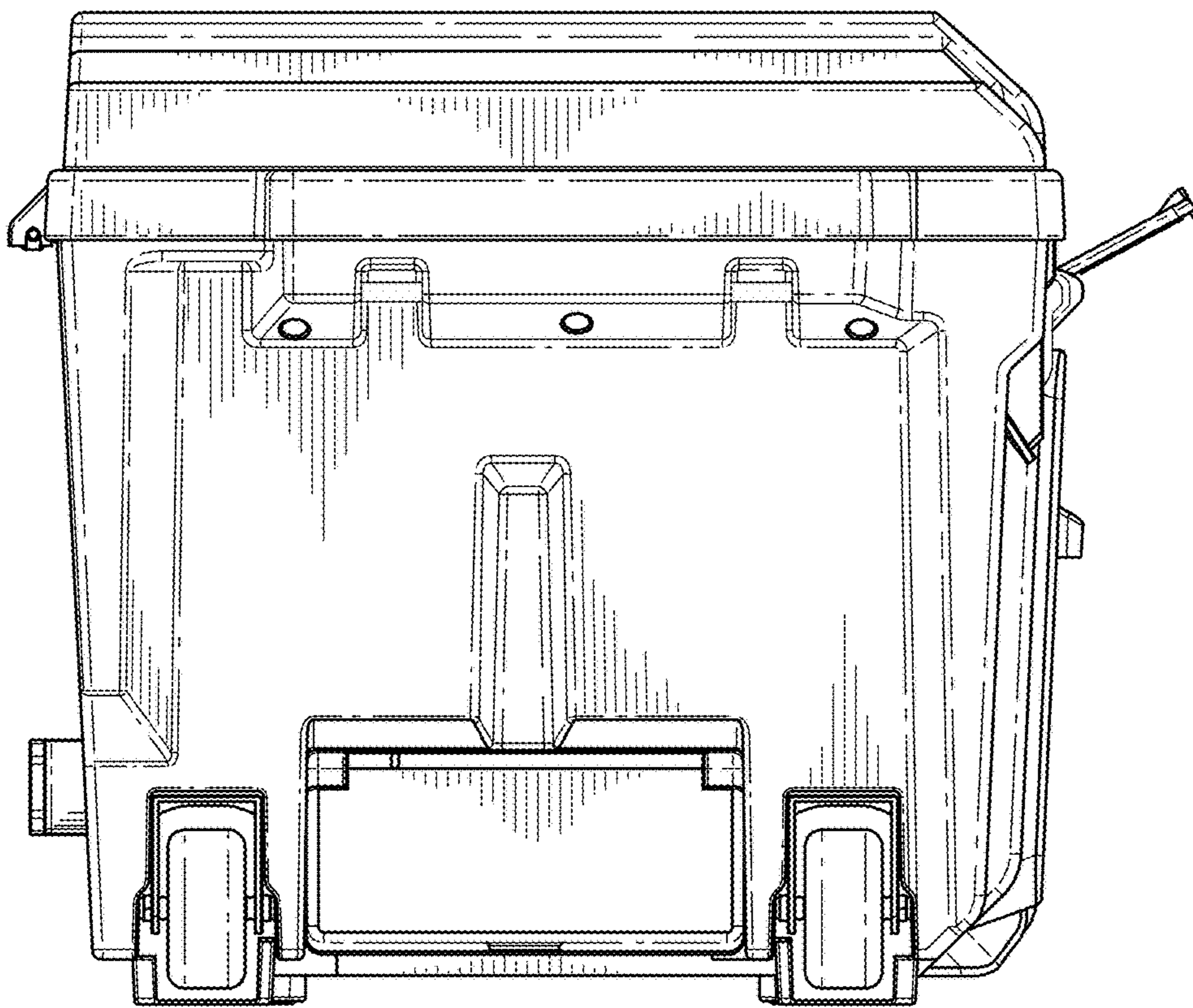


FIG. 7

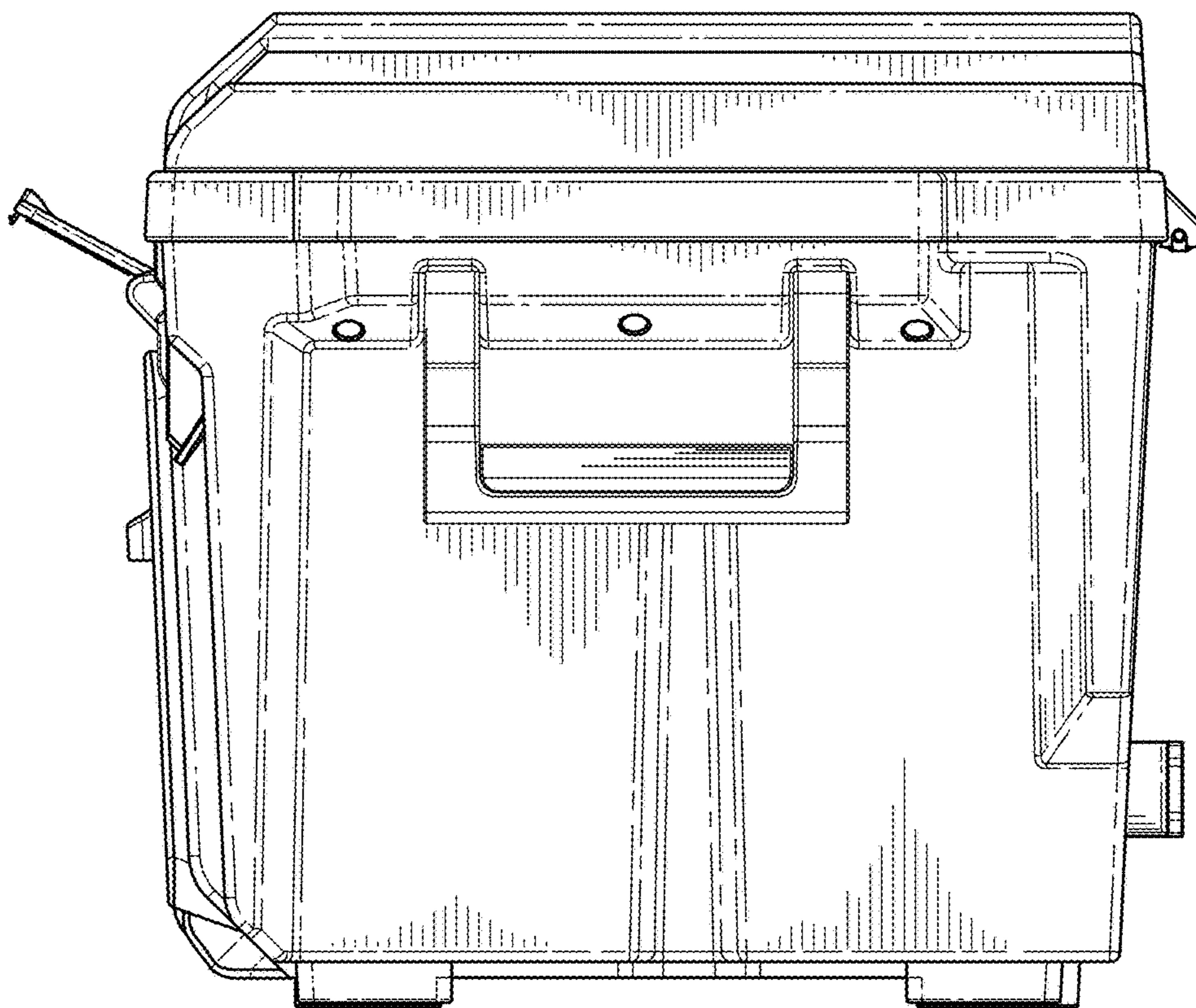


FIG. 8

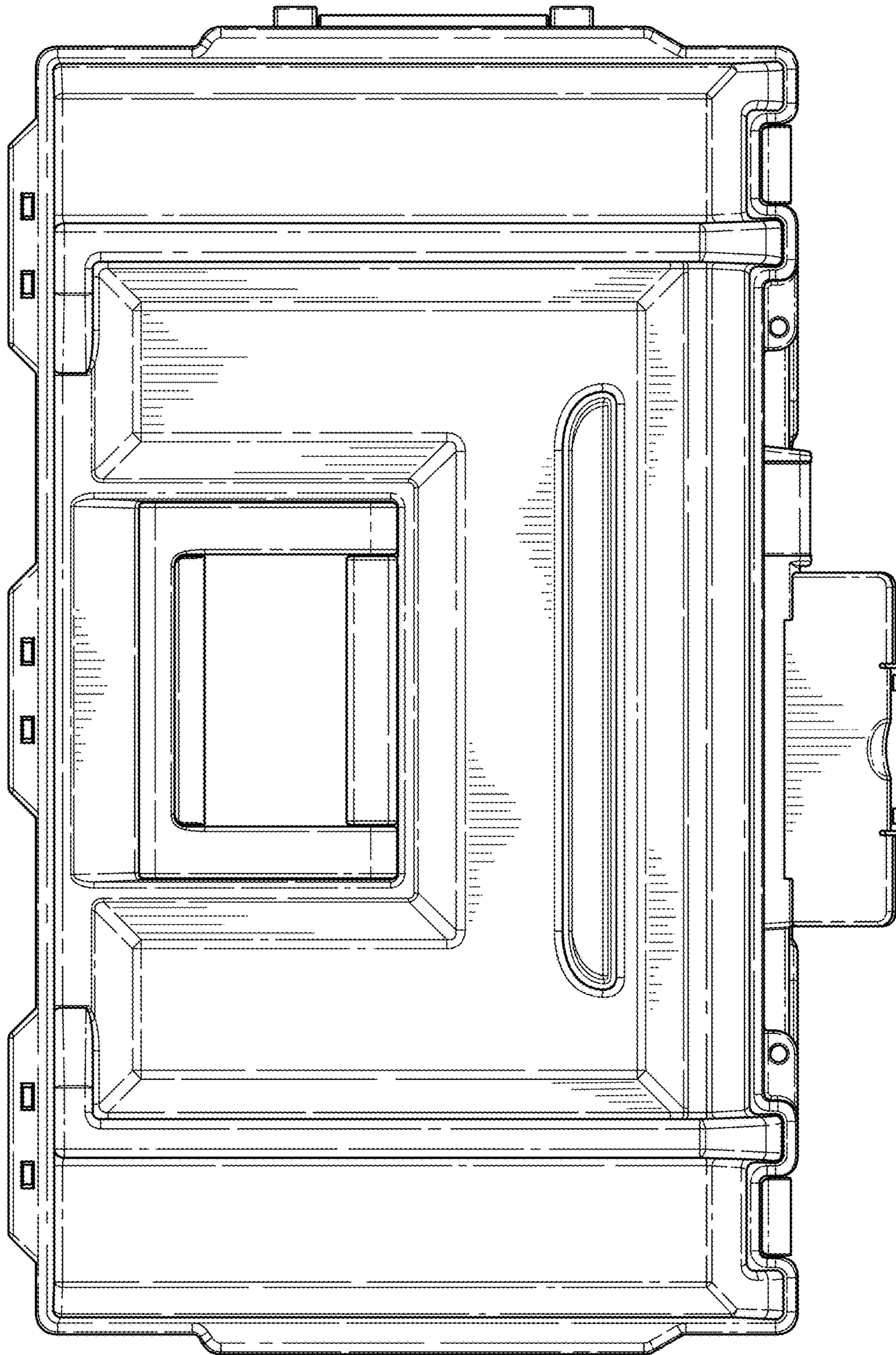


FIG. 9

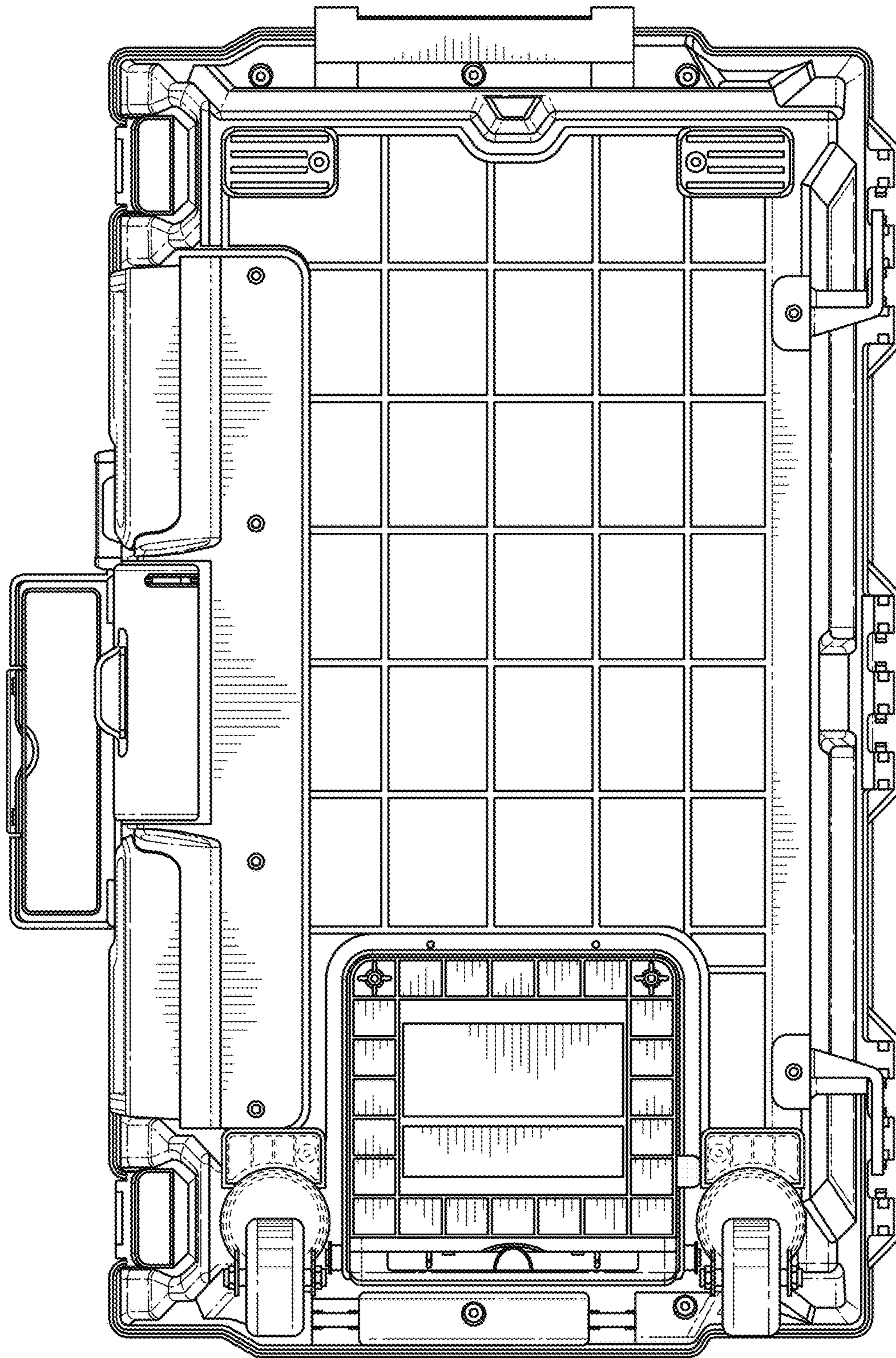


FIG. 10