



US00D792092S

(12) **United States Design Patent** (10) **Patent No.:** **US D792,092 S**  
**Vevers et al.** (45) **Date of Patent:** **\*\* Jul. 18, 2017**

(54) **HAND BAG**

D762,061 S \* 7/2016 Serrano ..... D3/243  
D764,793 S \* 8/2016 Dumas ..... D3/243

(71) Applicant: **Coach, Inc.**, New York, NY (US)

\* cited by examiner

(72) Inventors: **Stuart Vevers**, New York, NY (US);  
**Stacey Bearden**, New York, NY (US);  
**Mary Helen Muldoon**, New York, NY (US)

*Primary Examiner* — Holly Baynham  
(74) *Attorney, Agent, or Firm* — Honigman Miller  
Schwartz and Cohn LLP

(73) Assignee: **Coach, Inc.**, New York, NY (US)

(57) **CLAIM**

The ornamental design for a hand bag, as shown and described.

(\*\*) Term: **15 Years**

**DESCRIPTION**

(21) Appl. No.: **29/565,355**

FIG. 1 is a top perspective view of a hand bag, showing our new design;

(22) Filed: **May 19, 2016**

FIG. 2 is a bottom perspective thereof;

(51) **LOC (10) Cl.** ..... **03-01**

FIG. 3 is a front view thereof;

(52) **U.S. Cl.**

FIG. 4 is a rear view thereof.

USPC ..... **D3/243**

FIG. 5 is a left side view thereof;

(58) **Field of Classification Search**

USPC ..... D3/232–233, 240–243, 245–246

CPC ..... A45C 1/024; A45C 3/06

See application file for complete search history.

FIG. 6 is a right side view thereof;

FIG. 7 is a top plan view thereof; and

FIG. 8 is a bottom plan view thereof.

FIG. 9 is a top perspective view of another embodiment of the hand bag;

FIG. 10 is a bottom perspective thereof;

FIG. 11 is a front view thereof;

FIG. 12 is a rear view thereof.

FIG. 13 is a left side view thereof;

FIG. 14 is a right side view thereof;

FIG. 15 is a top plan view thereof; and,

FIG. 16 is a bottom plan view thereof.

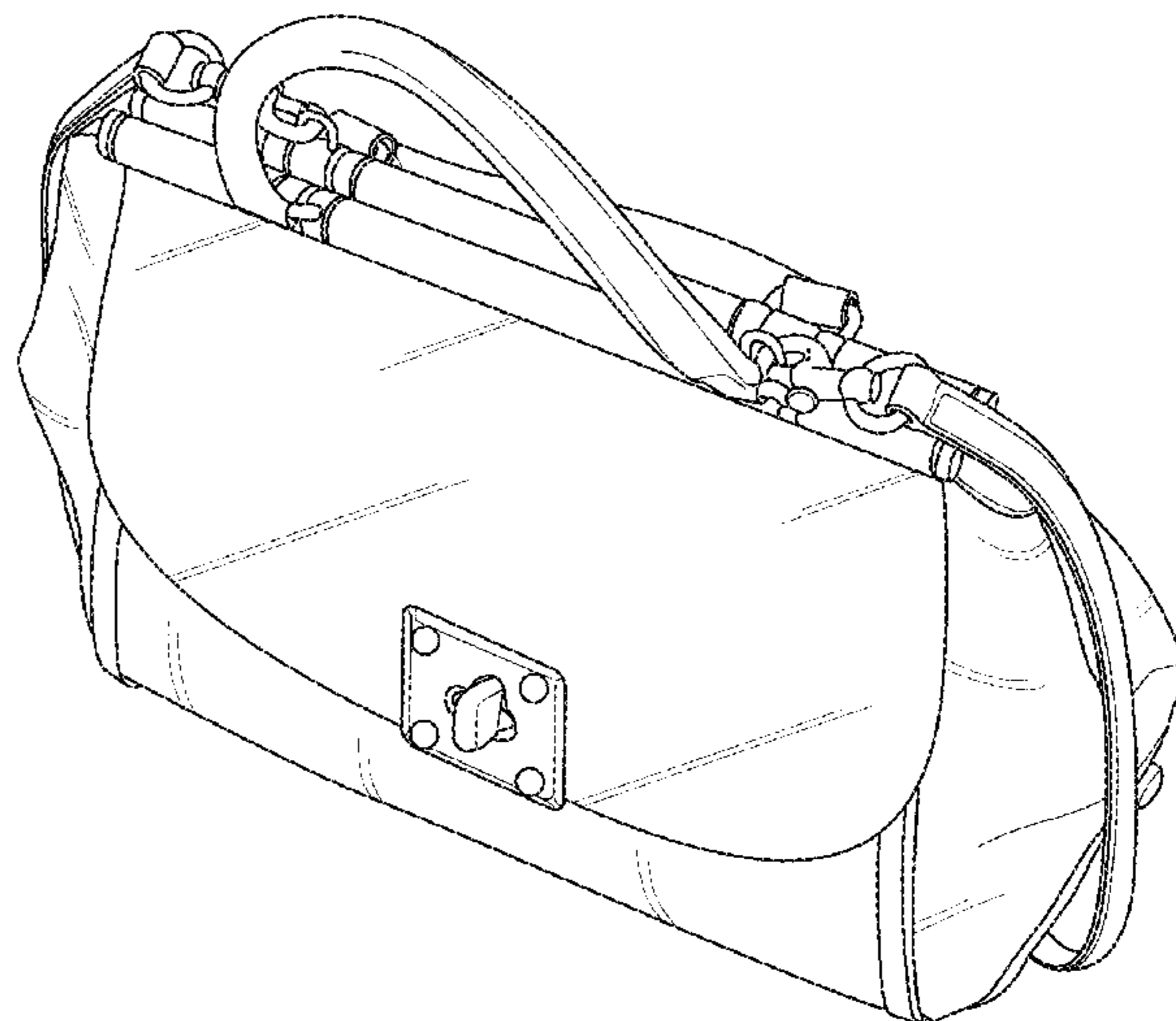
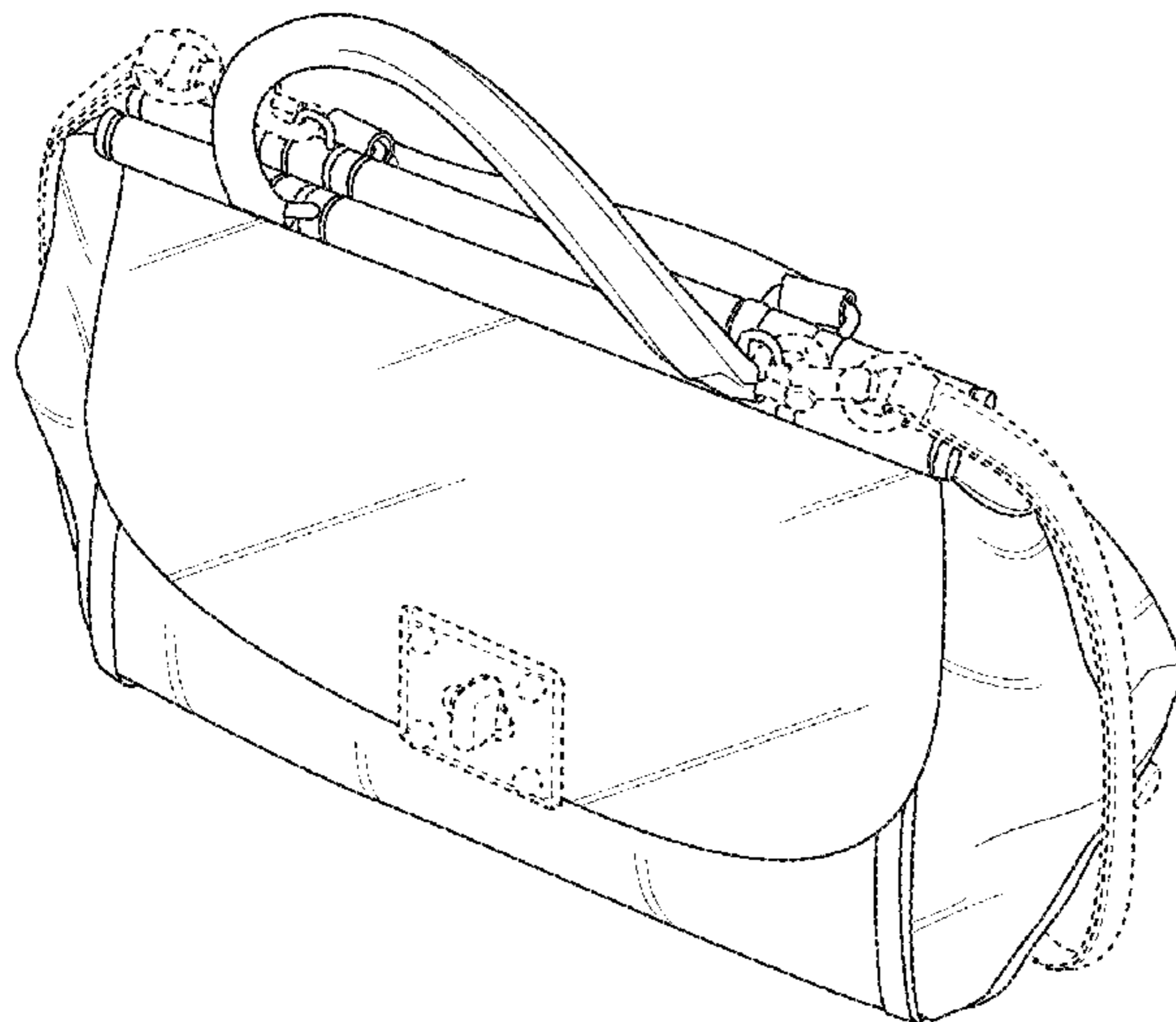
The dashed lines in the drawings depict portions of the design that form no part of the claim.

(56) **References Cited**

**U.S. PATENT DOCUMENTS**

2,784,756 A \* 3/1957 Resnick ..... A45C 3/06  
150/103  
D263,649 S \* 4/1982 Schimmel ..... D3/243  
D447,336 S \* 9/2001 Bergkvist ..... D3/242  
D756,632 S \* 5/2016 Frisoni ..... D3/243  
9,375,061 B2 \* 6/2016 Mosee ..... A45C 1/02

**1 Claim, 16 Drawing Sheets**



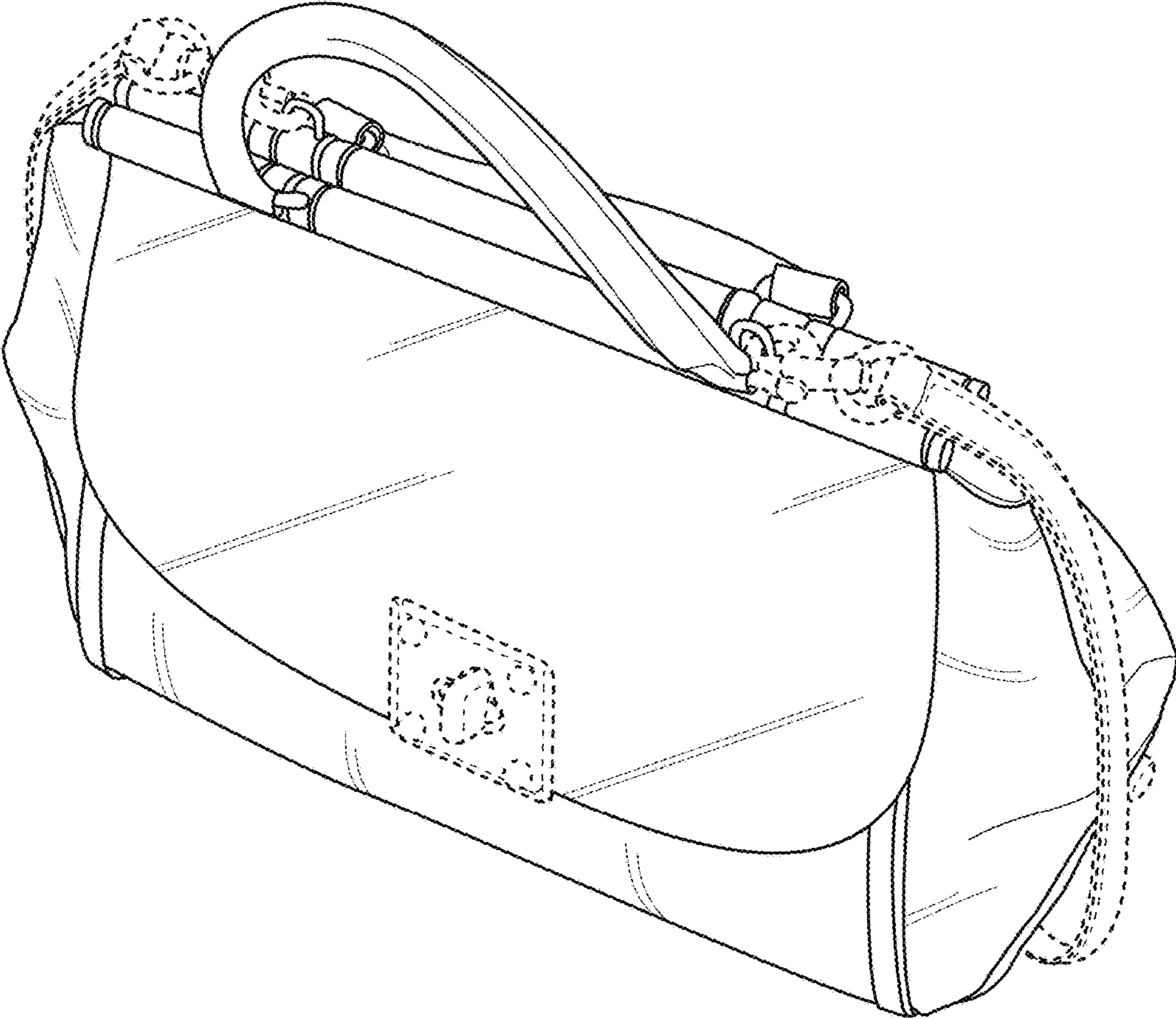


FIG. 1



FIG. 2



FIG. 3



FIG. 4

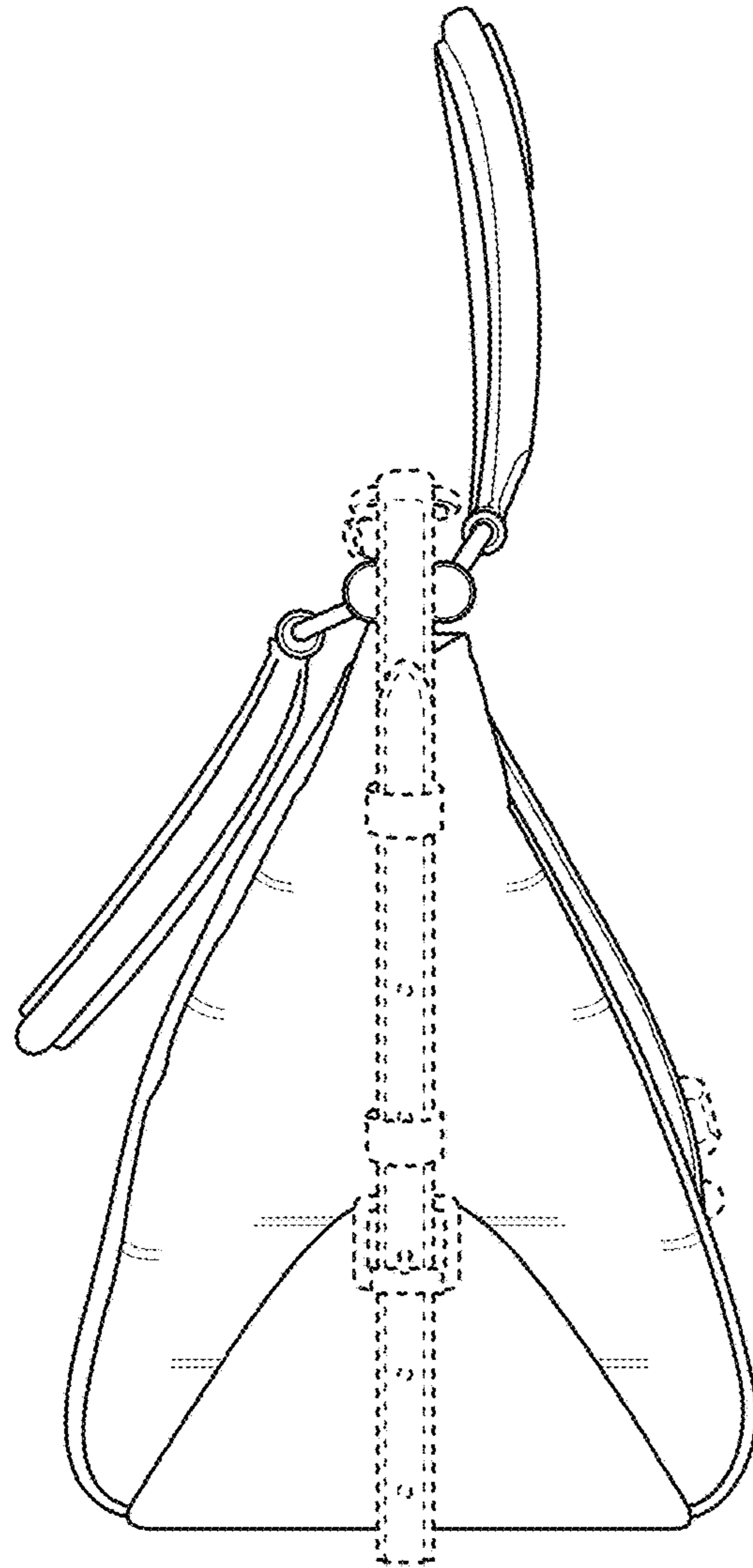


FIG. 5

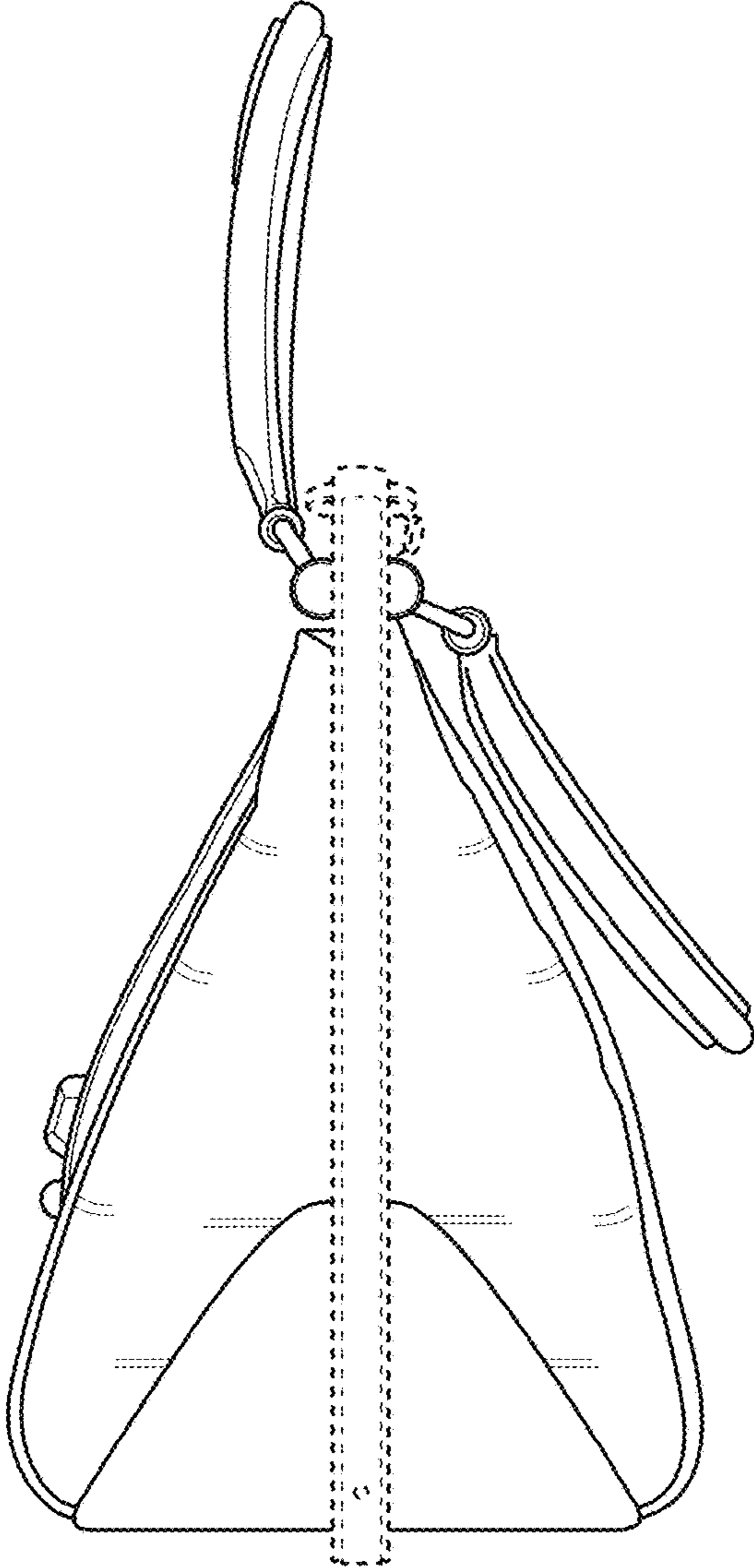


FIG. 6

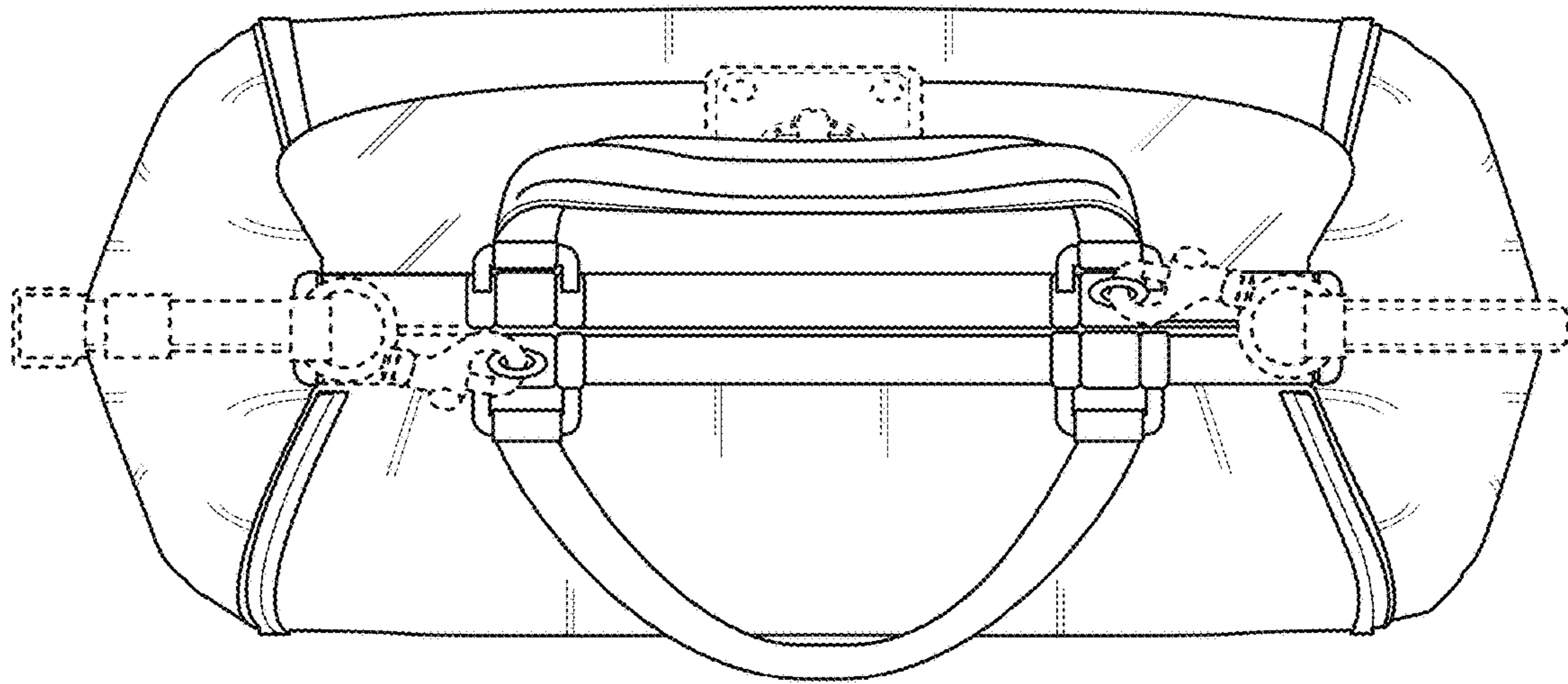


FIG. 7



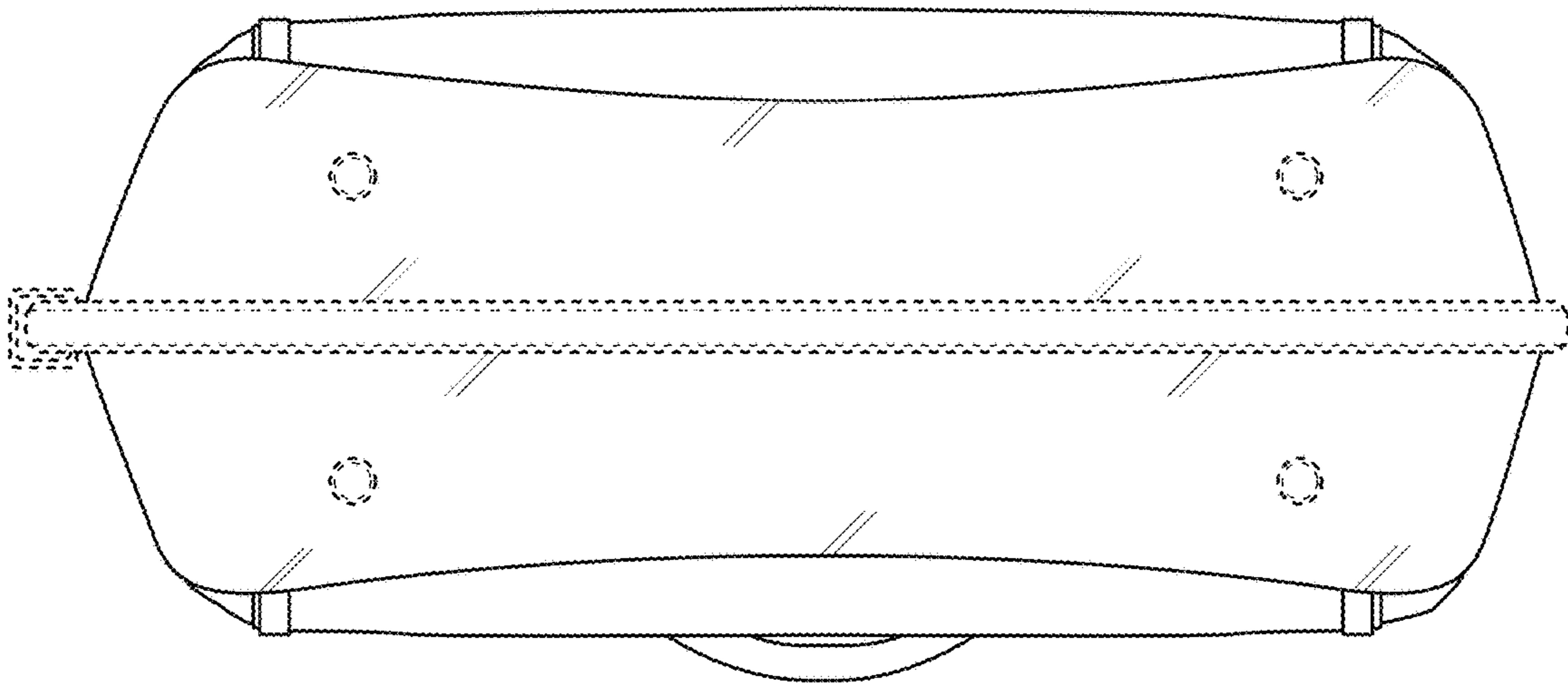


FIG. 8

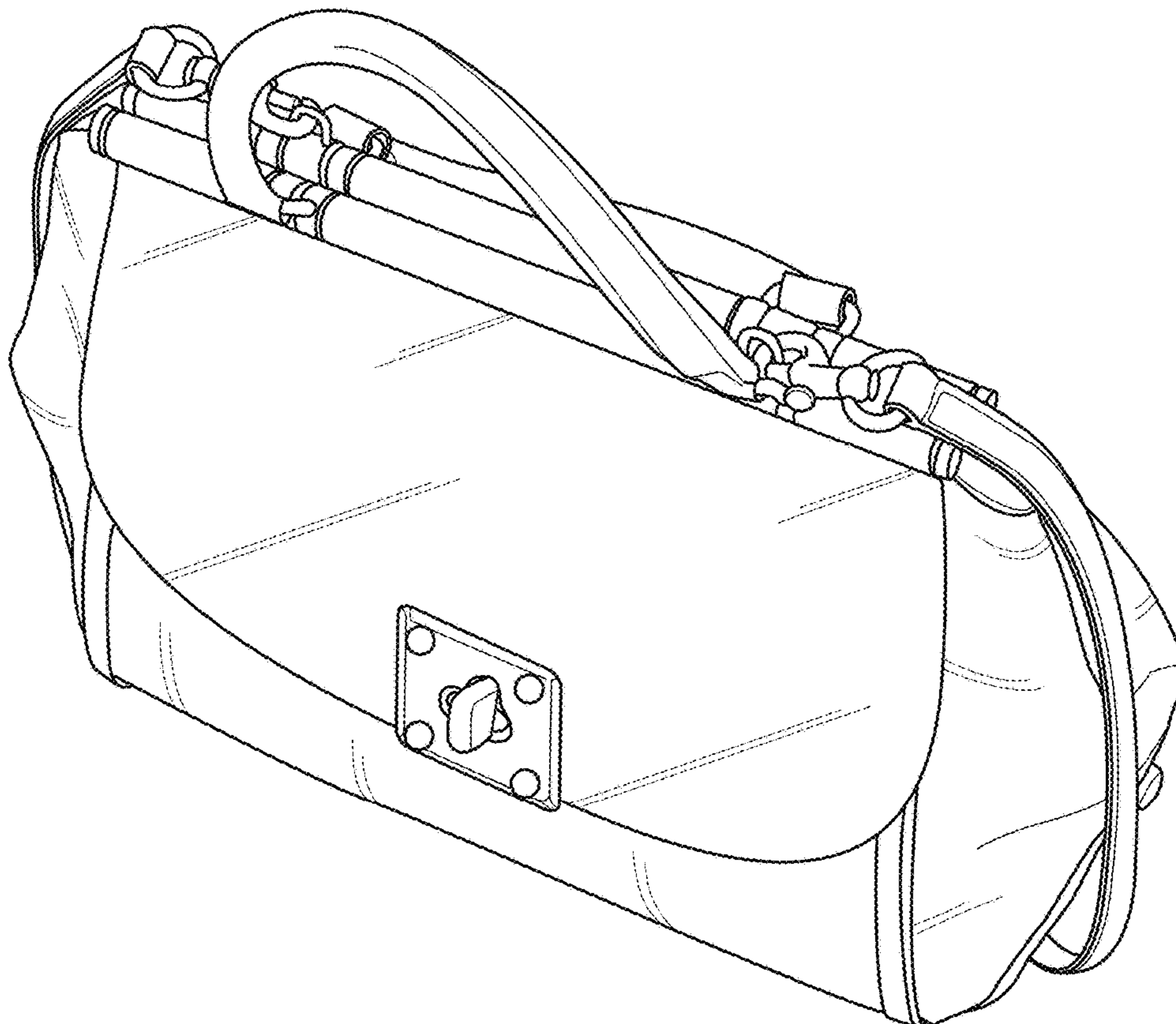


FIG. 9

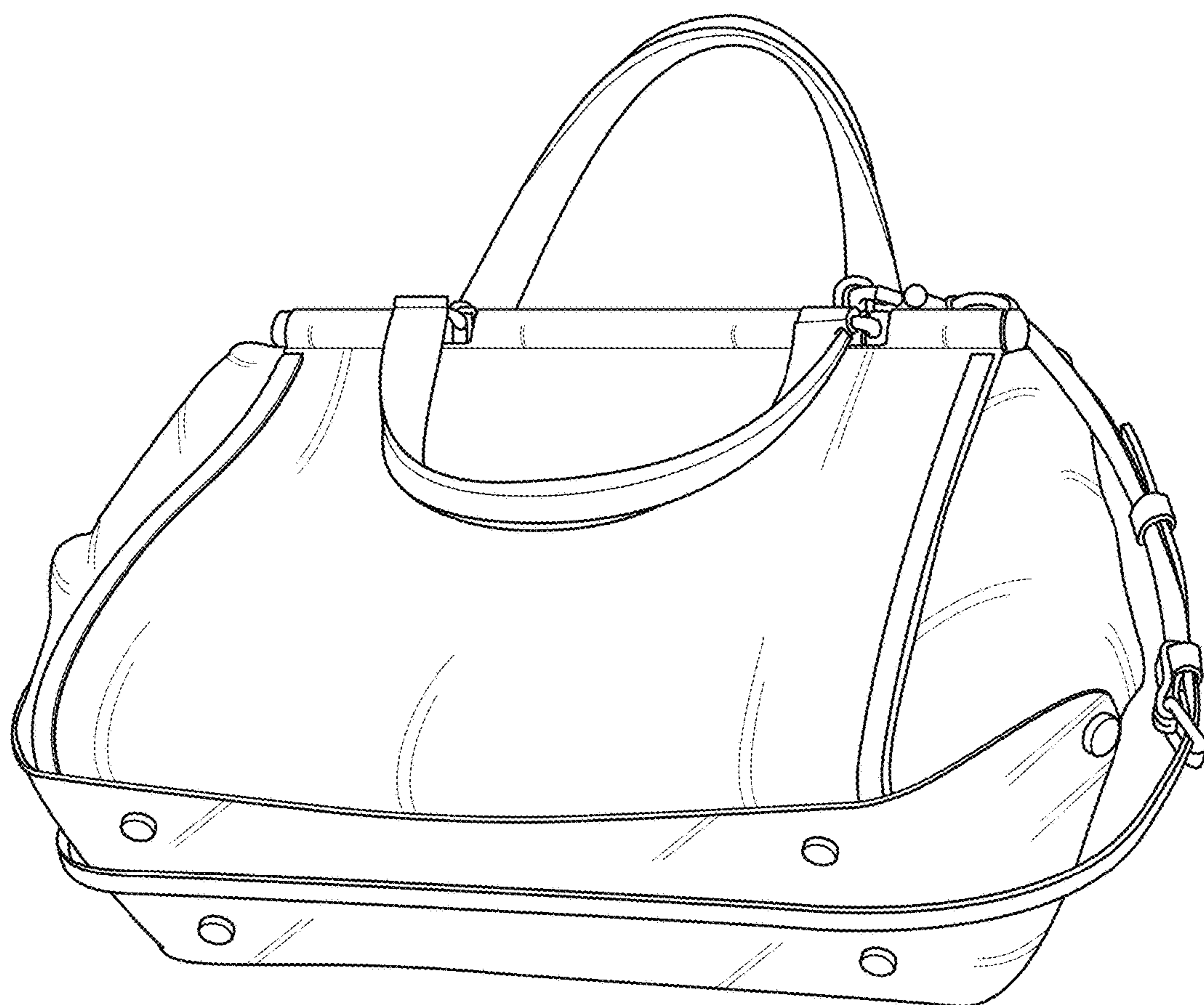


FIG. 10



FIG. 11



FIG. 12

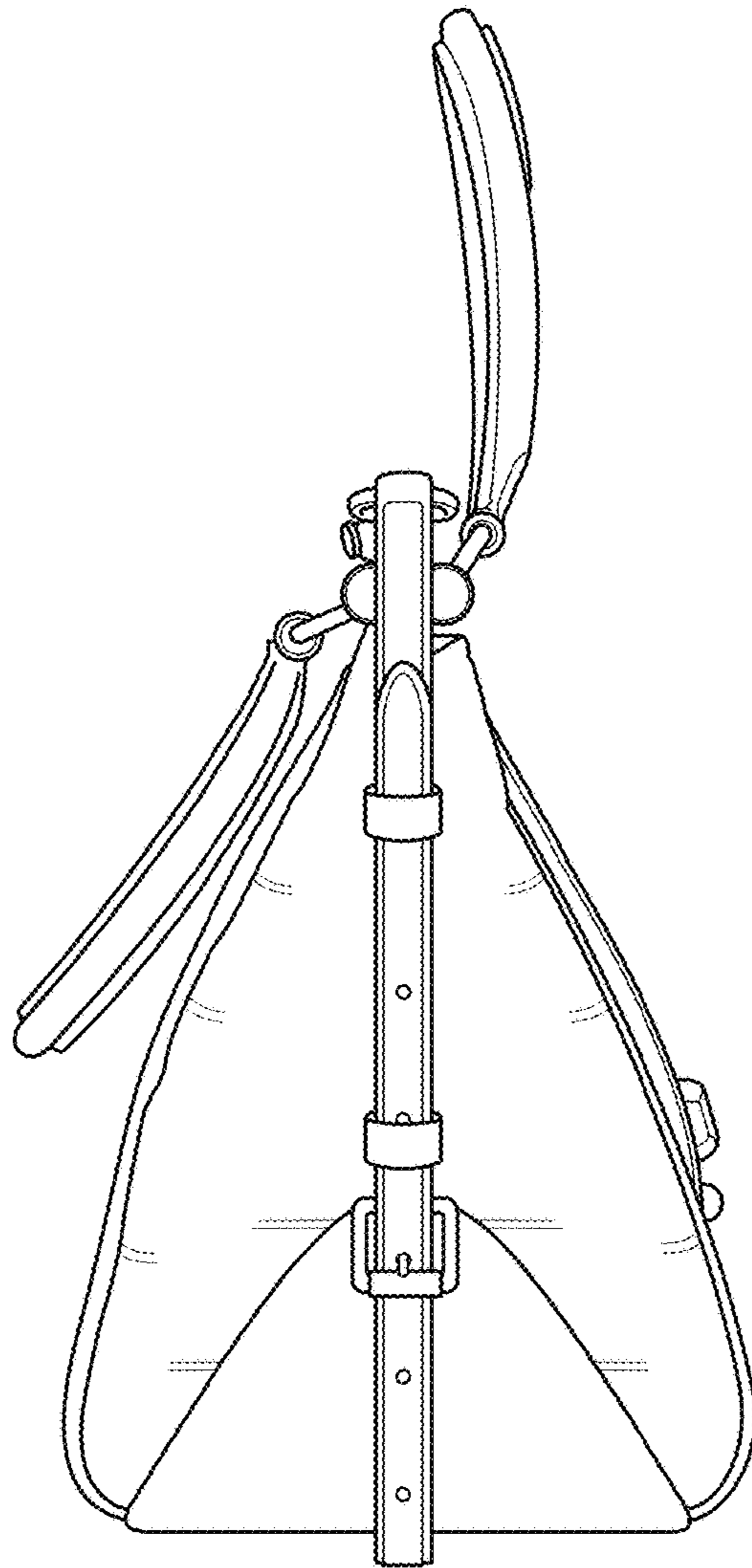


FIG. 13

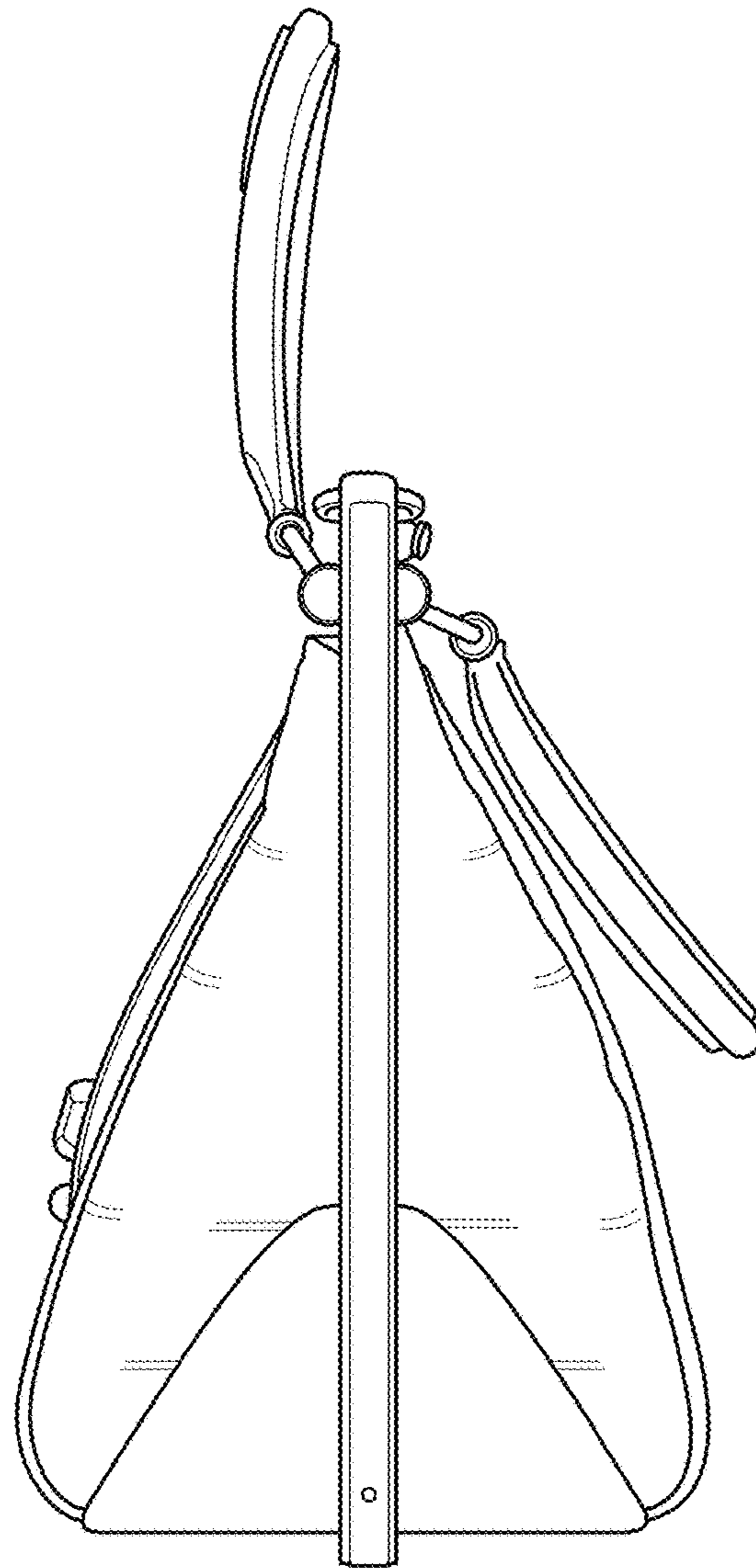


FIG. 14

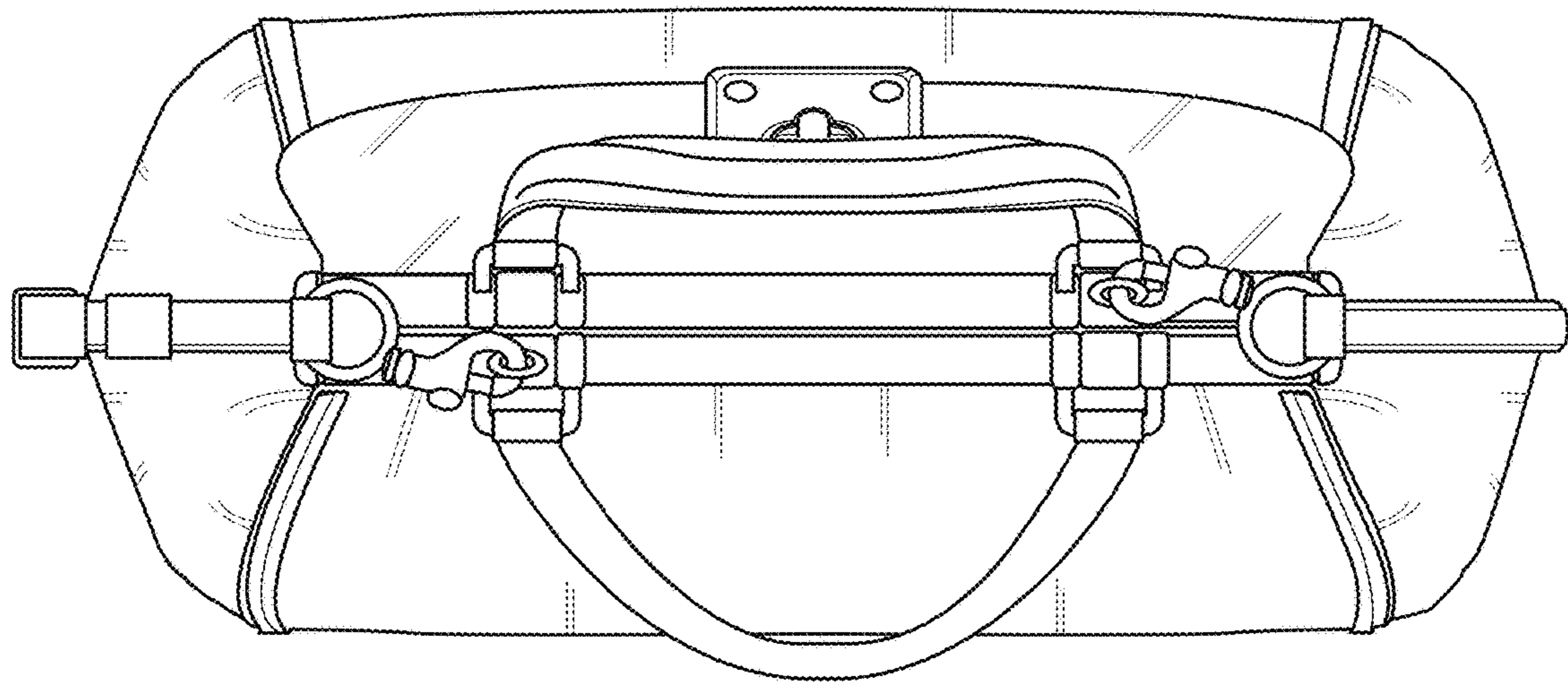


FIG. 15



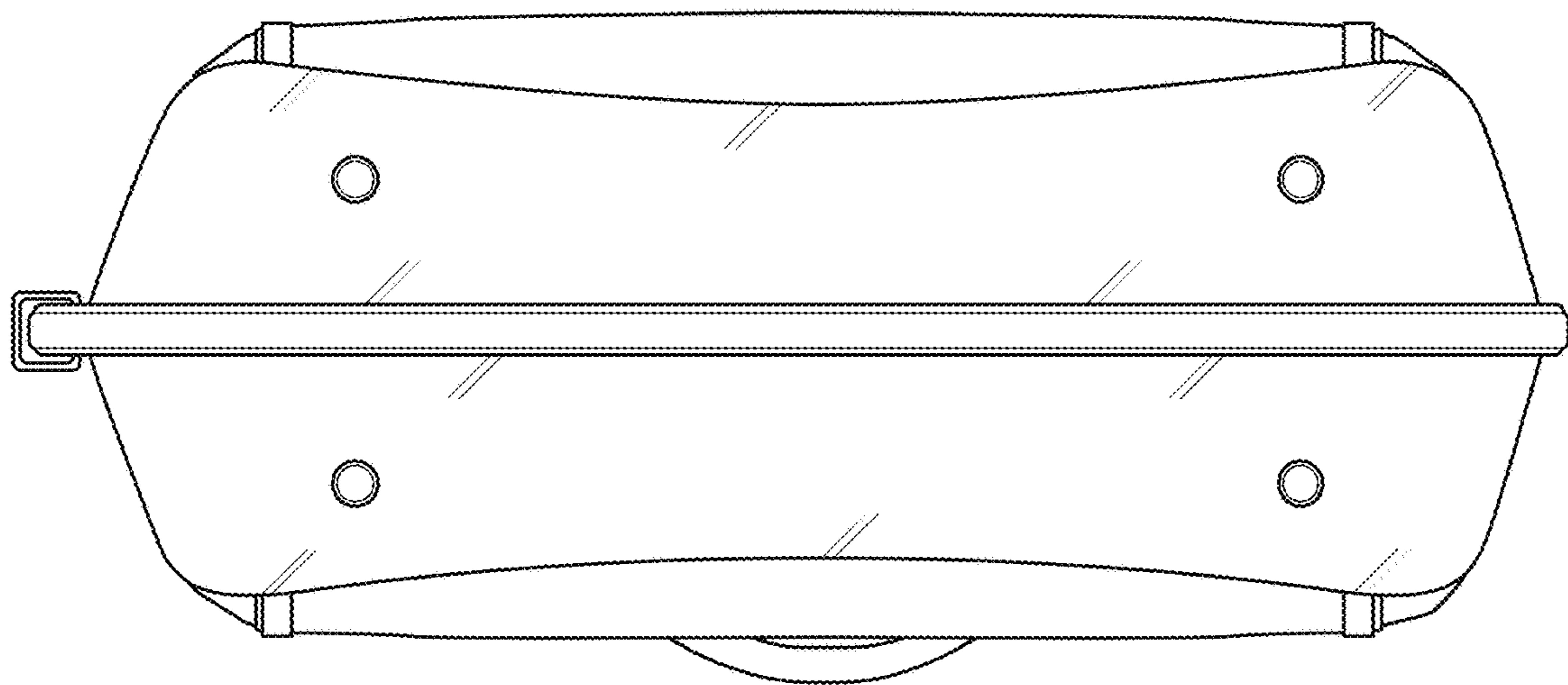


FIG. 16