



US00D792090S

(12) **United States Design Patent**
Chandra

(10) **Patent No.:** **US D792,090 S**

(45) **Date of Patent:** **** Jul. 18, 2017**

(54) **MULTIPURPOSE BAG**

(71) Applicant: **Savi Direct LLC**, Marlton, NJ (US)

(72) Inventor: **Vikas Chandra**, Marlton, NJ (US)

(**) Term: **15 Years**

(21) Appl. No.: **29/548,275**

(22) Filed: **Dec. 11, 2015**

(51) **LOC (10) Cl.** **03-01**

(52) **U.S. Cl.**
USPC **D3/232**

(58) **Field of Classification Search**
USPC D3/232-233, 240-243, 245-246, 318
CPC A45C 1/024; A45C 3/06
See application file for complete search history.

(56) **References Cited**

U.S. PATENT DOCUMENTS

D489,179 S * 5/2004 Ho D3/303
D602,688 S * 10/2009 Smith D3/233

D731,788 S * 6/2015 Joo D3/233

* cited by examiner

Primary Examiner — Holly Baynham

(74) *Attorney, Agent, or Firm* — Lauletta Birnbaum LLC

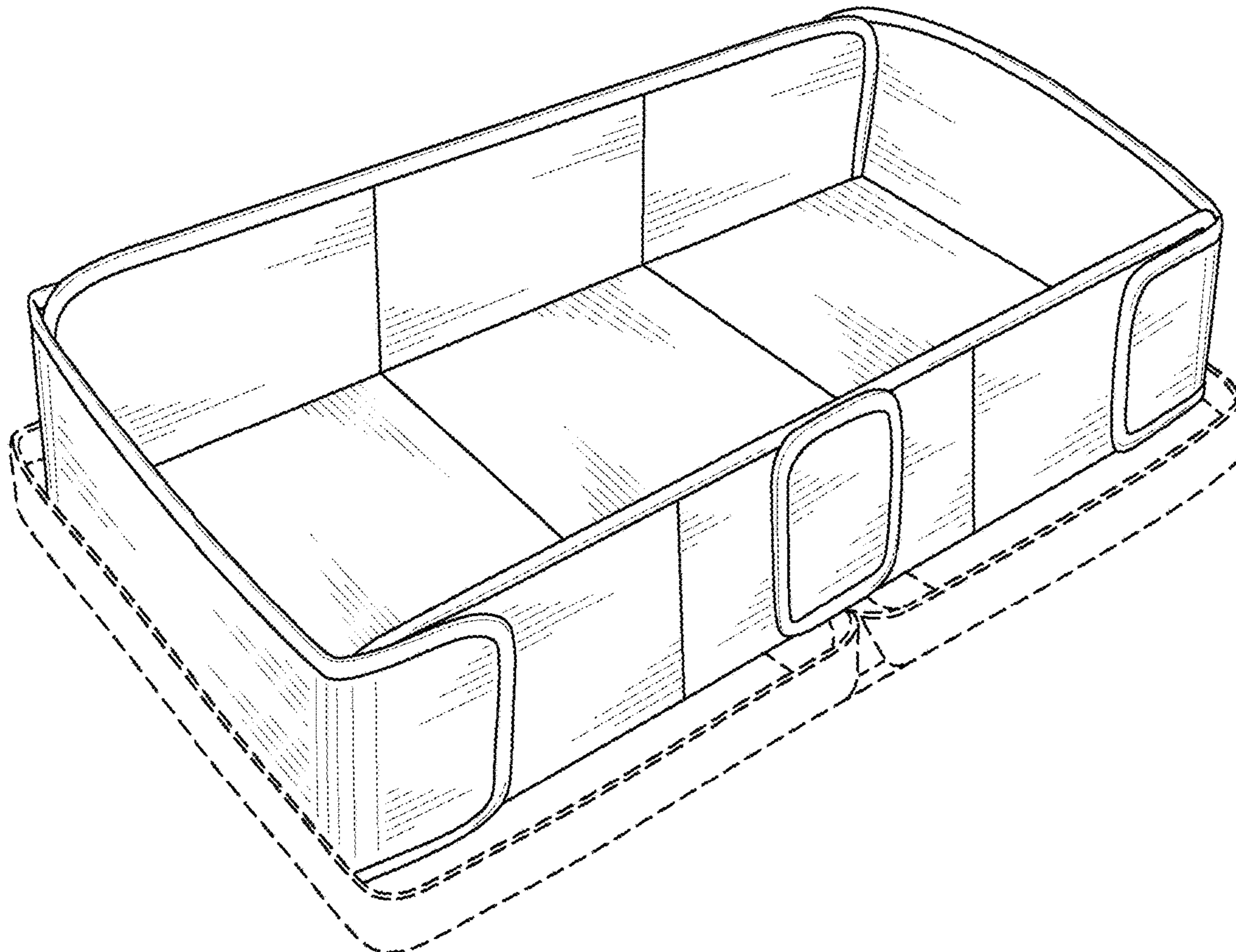
(57) **CLAIM**

The ornamental design of a multipurpose bag, as shown and described.

DESCRIPTION

FIG. 1 is a top perspective view of a multipurpose bag showing my new design;
FIG. 2 is a top plan view thereof;
FIG. 3 is a bottom plan view thereof;
FIG. 4 is a left elevation view thereof, the right elevation view being identical in appearance; and,
FIG. 5 is a front elevation view, the rear elevation being identical in appearance.
The broken lines showing the bottom portion of the bag are for the purposes of illustrating environment and form no part of the claimed design.

1 Claim, 4 Drawing Sheets



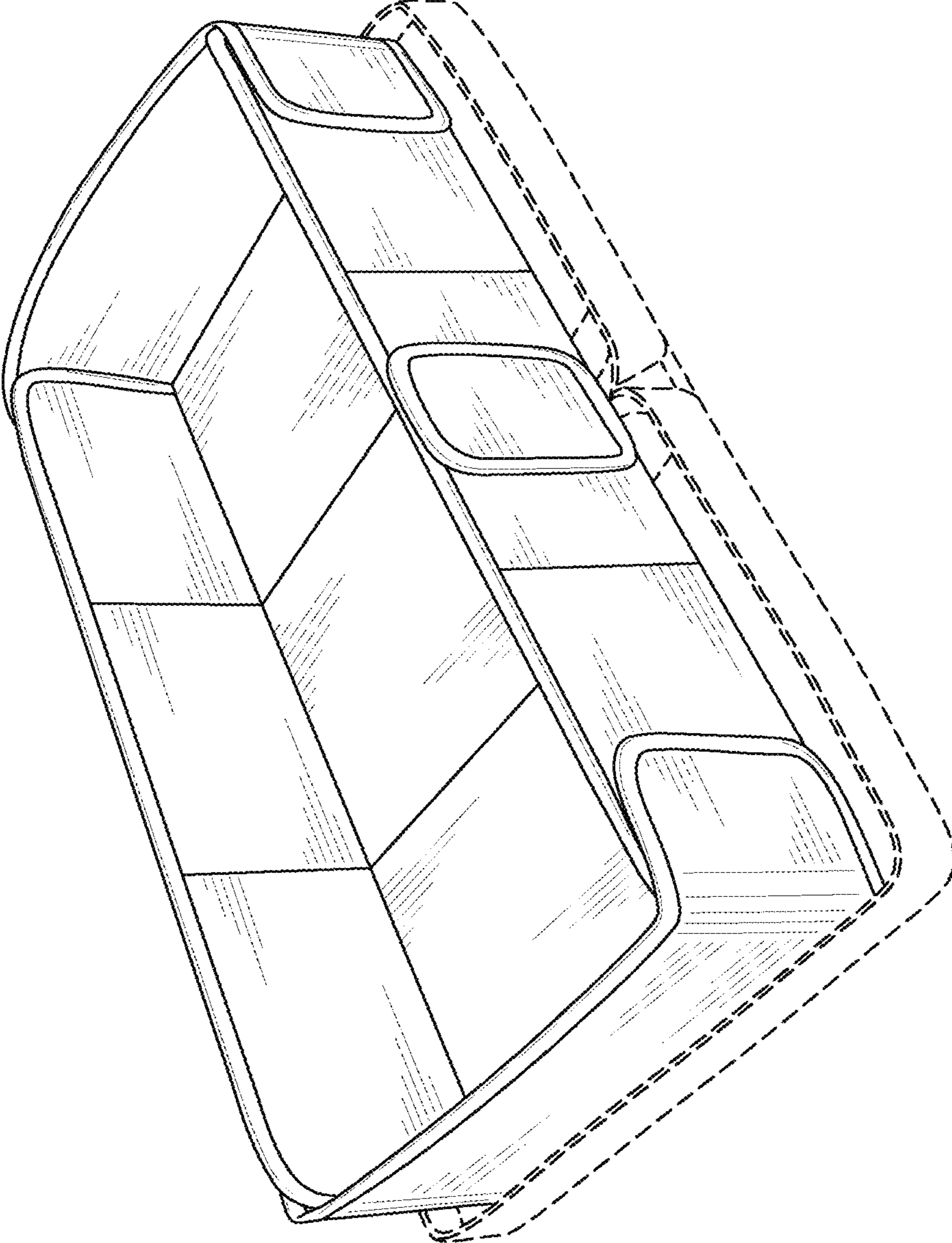


Fig. 1

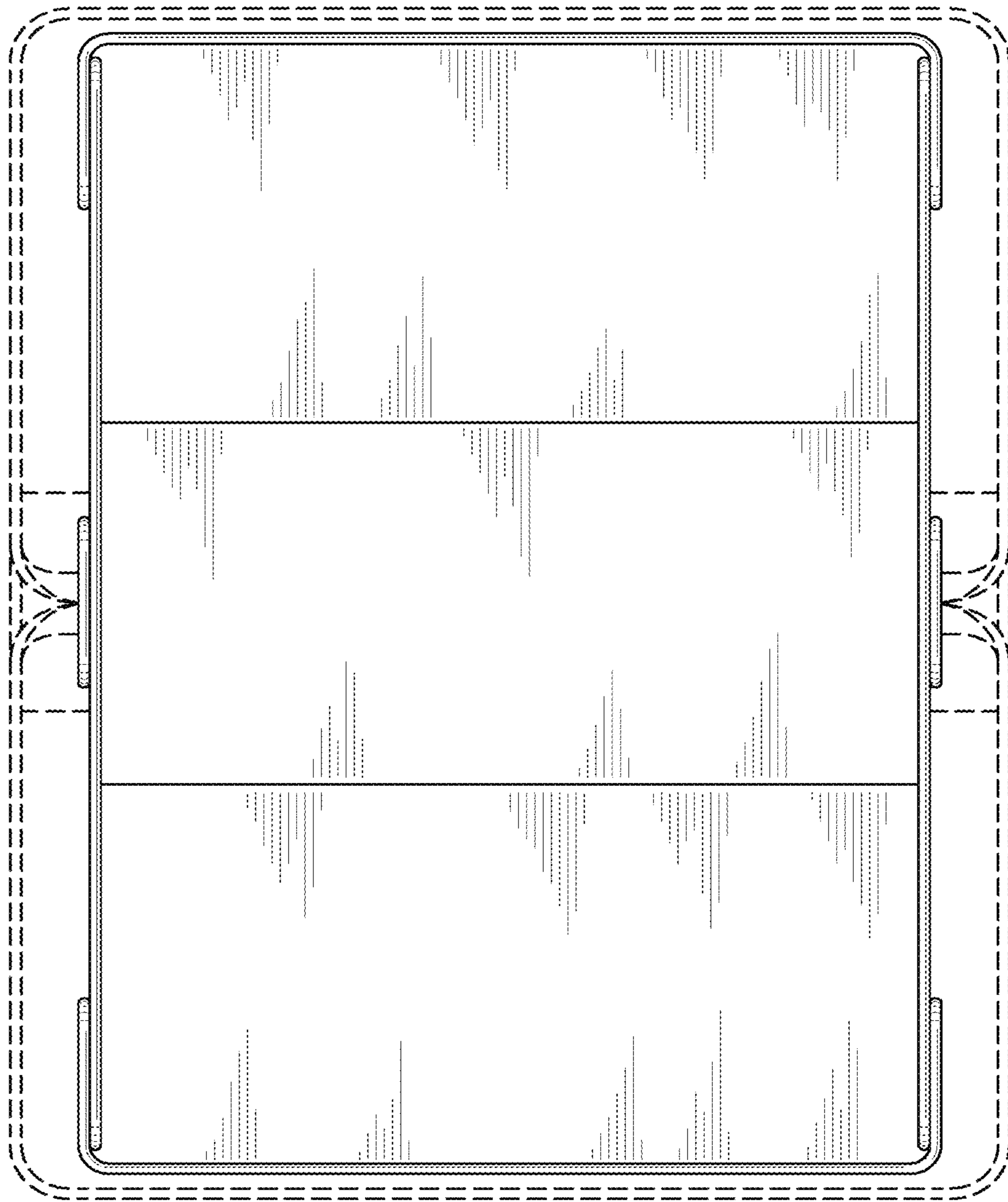


Fig. 2

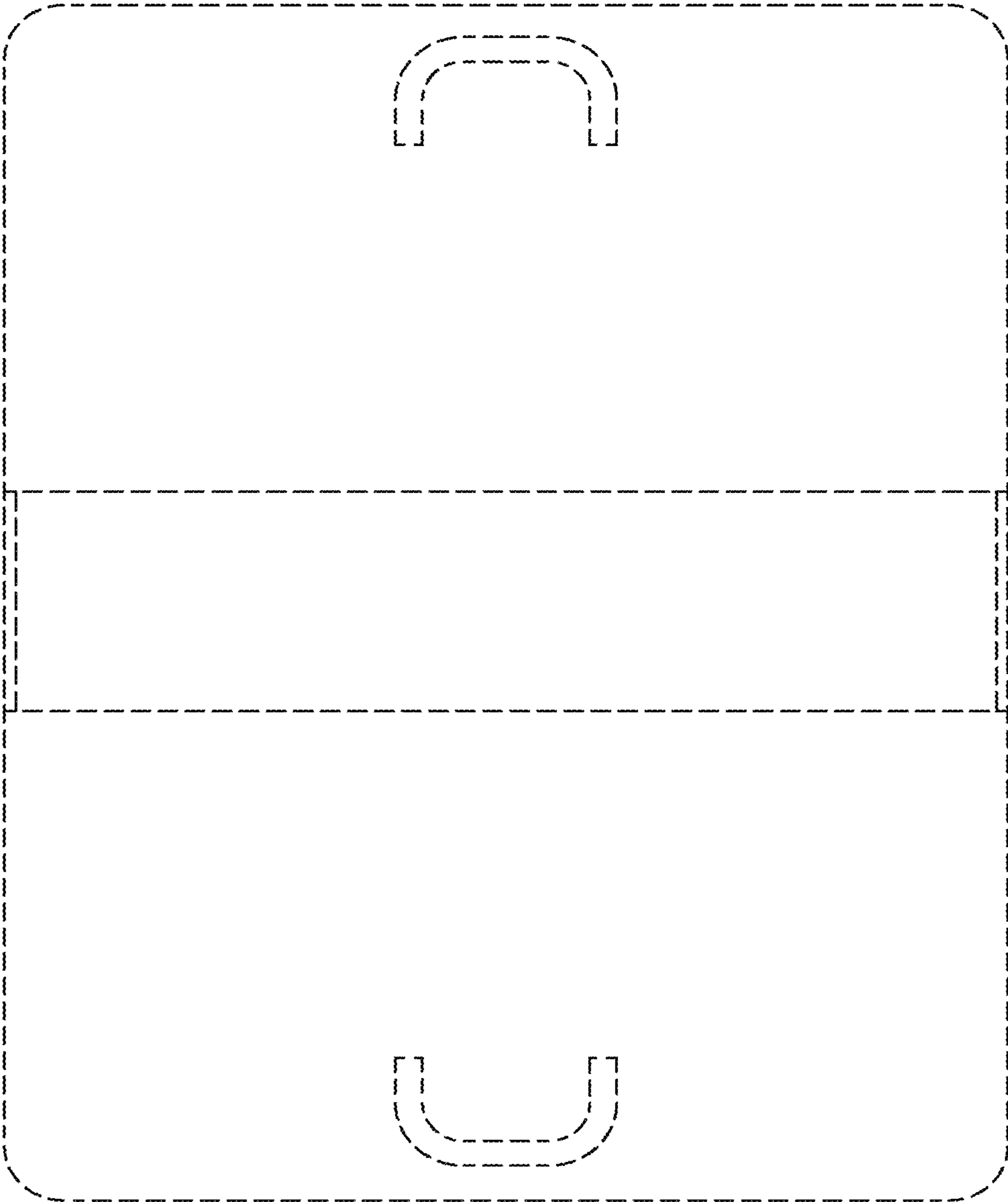


Fig. 3

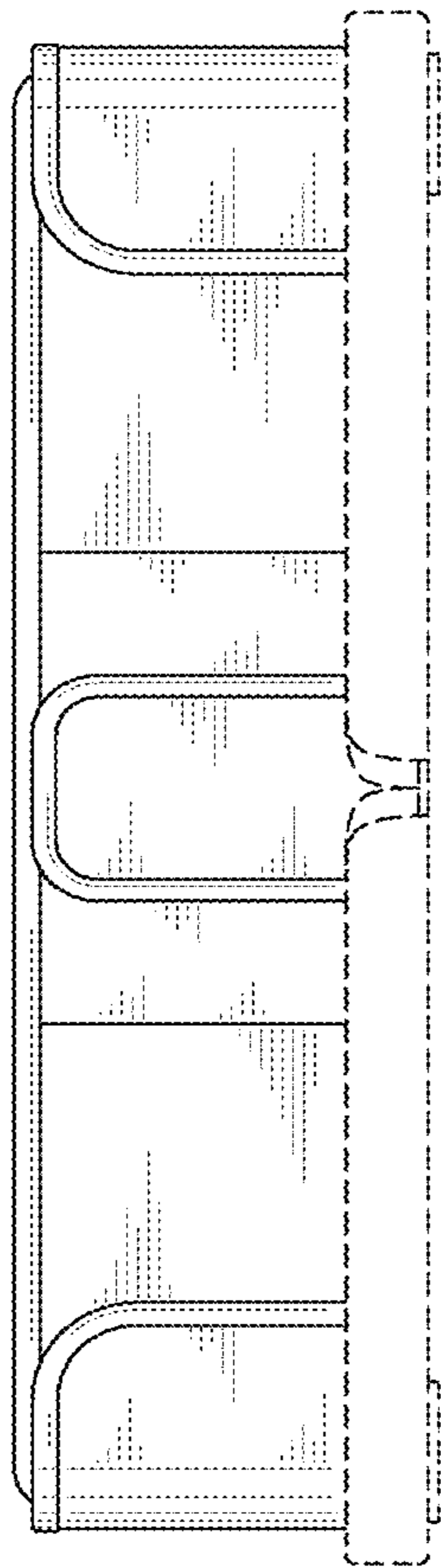


Fig. 4

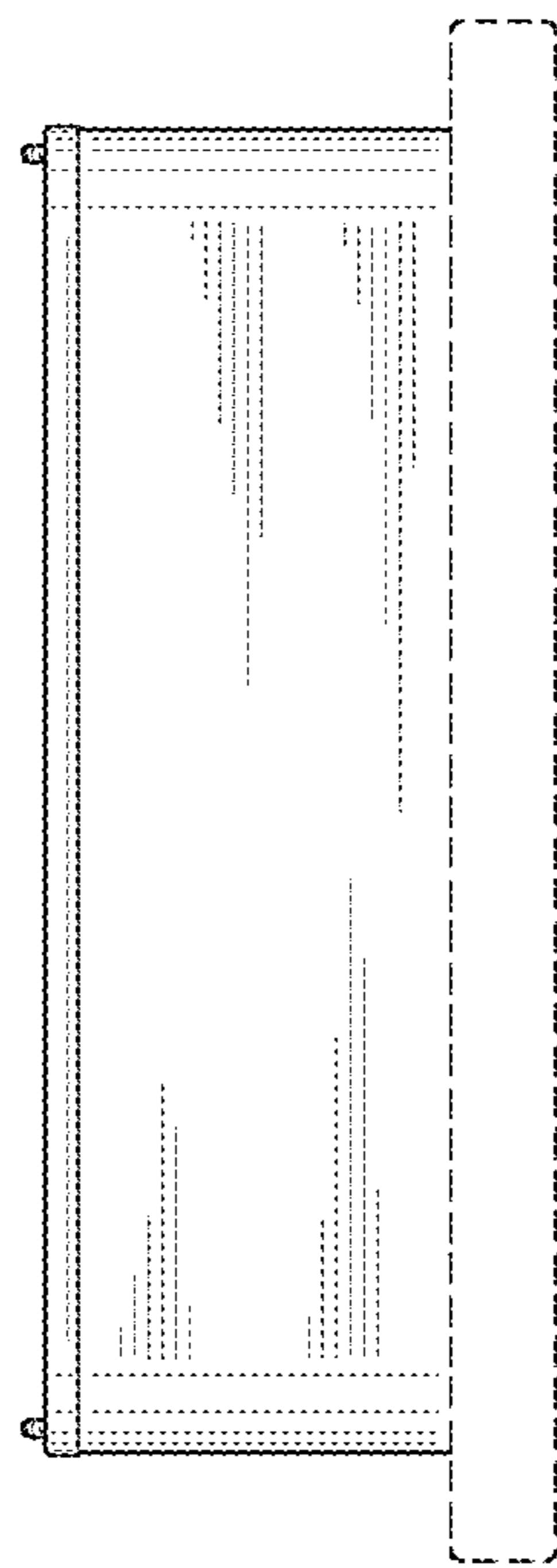


Fig. 5