



US00D792089S

(12) **United States Design Patent**
Zhang

(10) **Patent No.:** **US D792,089 S**

(45) **Date of Patent:** **** Jul. 18, 2017**

- (54) **HOLSTER**
- (71) Applicant: **Yong Zhang**, Shenzhen (CN)
- (72) Inventor: **Yong Zhang**, Shenzhen (CN)
- (**) Term: **15 Years**
- (21) Appl. No.: **29/567,313**
- (22) Filed: **Jun. 7, 2016**
- (51) **LOC (10) Cl.** **03-01**
- (52) **U.S. Cl.**
USPC **D3/224**
- (58) **Field of Classification Search**
USPC D3/222–223; 224/191–193, 238,
224/243–244, 911–912; 206/317
CPC . F41C 33/209; F41C 33/0236; F41C 33/0263
See application file for complete search history.

- 8,720,753 B2 * 5/2014 Beneš F41C 33/0236
224/192
- 8,910,839 B2 * 12/2014 Clifton F41C 33/0209
224/192
- D723,796 S * 3/2015 Resca D3/222

* cited by examiner

Primary Examiner — Catheri Oliver-Garcia
(74) *Attorney, Agent, or Firm* — Muncy, Geissler, Olds & Lowe, P.C.

(57) **CLAIM**

The ornamental design for a holster, substantially as shown and described.

DESCRIPTION

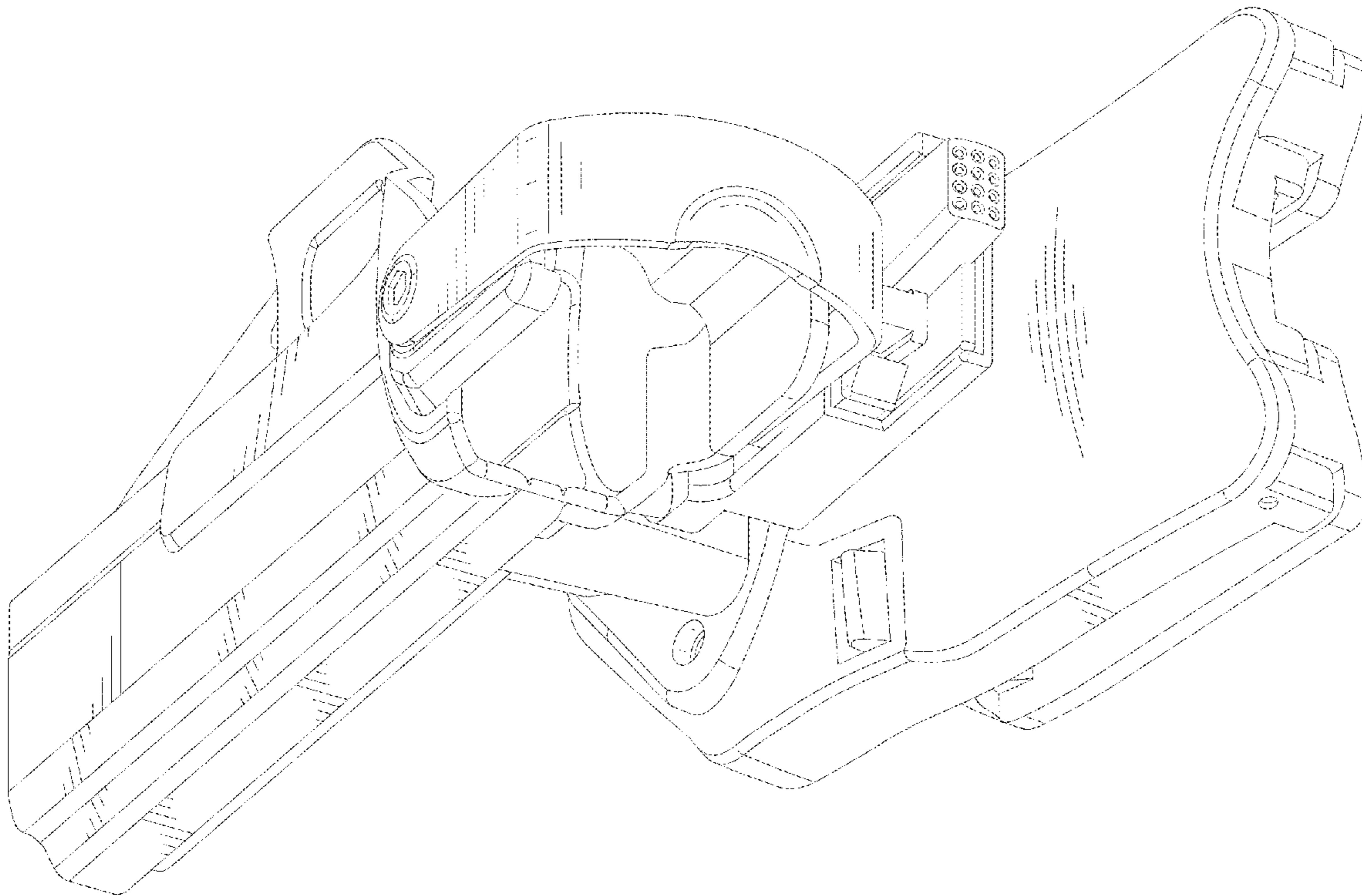
FIG. 1 is a perspective view of a holster, showing my new design.
 FIG. 2 is another perspective view thereof, shown in closed condition.
 FIG. 3 is a front elevational view thereof.
 FIG. 4 is a rear elevational view thereof.
 FIG. 5 is a left side elevational view thereof.
 FIG. 6 is a right side elevational view thereof.
 FIG. 7 is a top plan view thereof; and,
 FIG. 8 is a bottom plan view thereof.

(56) **References Cited**

U.S. PATENT DOCUMENTS

- 7,530,456 B1 * 5/2009 Tsai F41C 33/0236
206/317
- D651,792 S * 1/2012 Holiwell D3/222

1 Claim, 8 Drawing Sheets



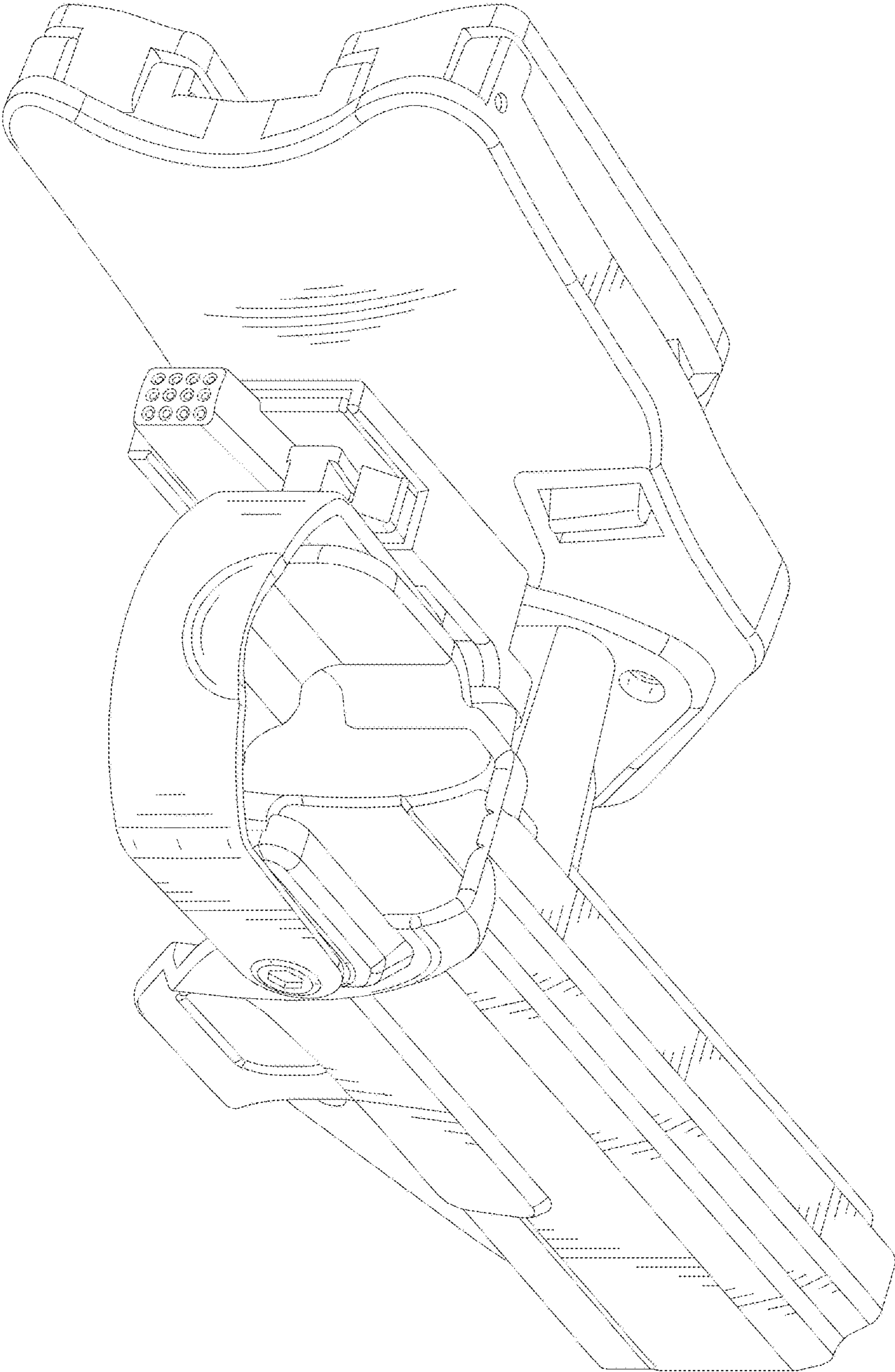


FIG.1

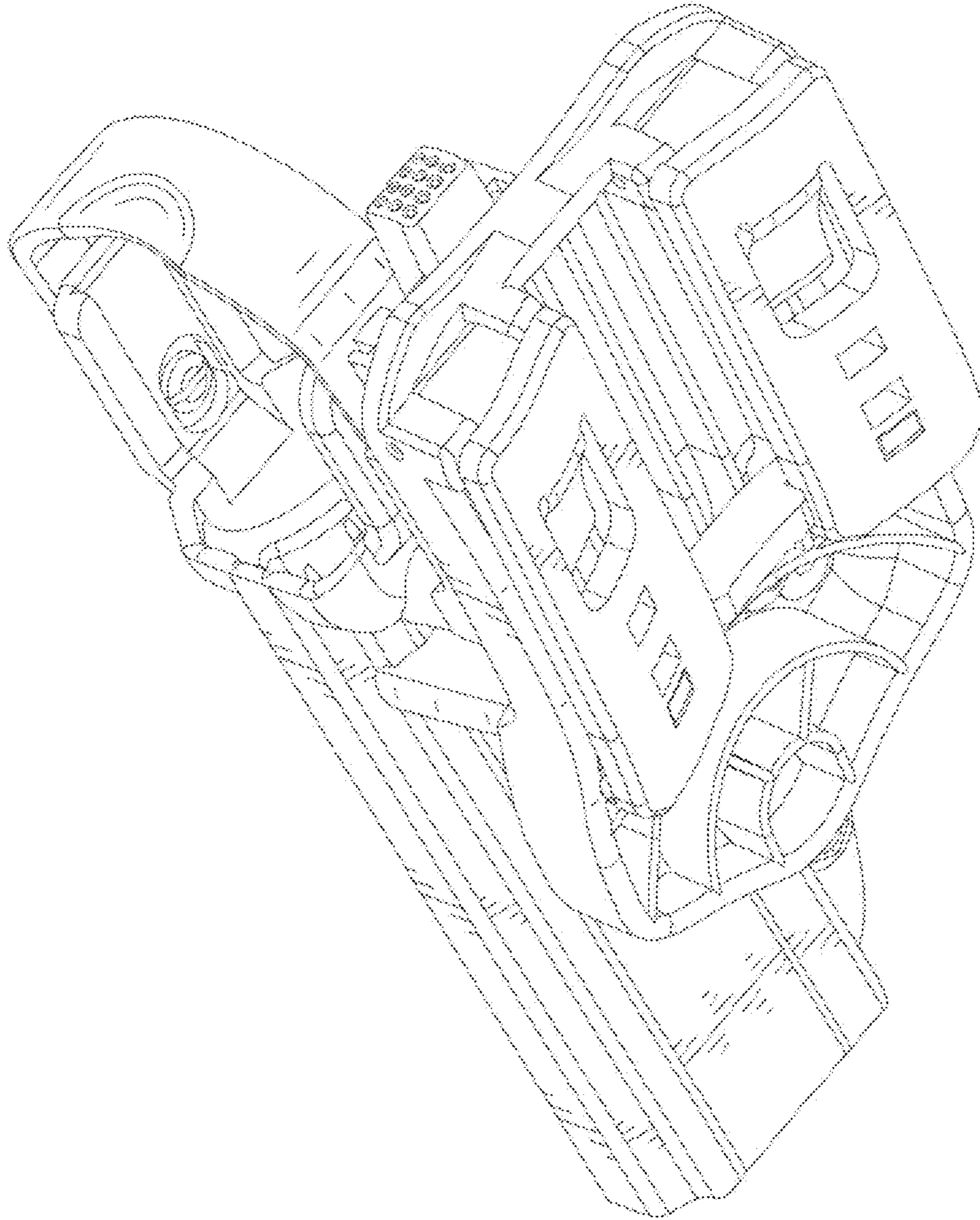


FIG.2

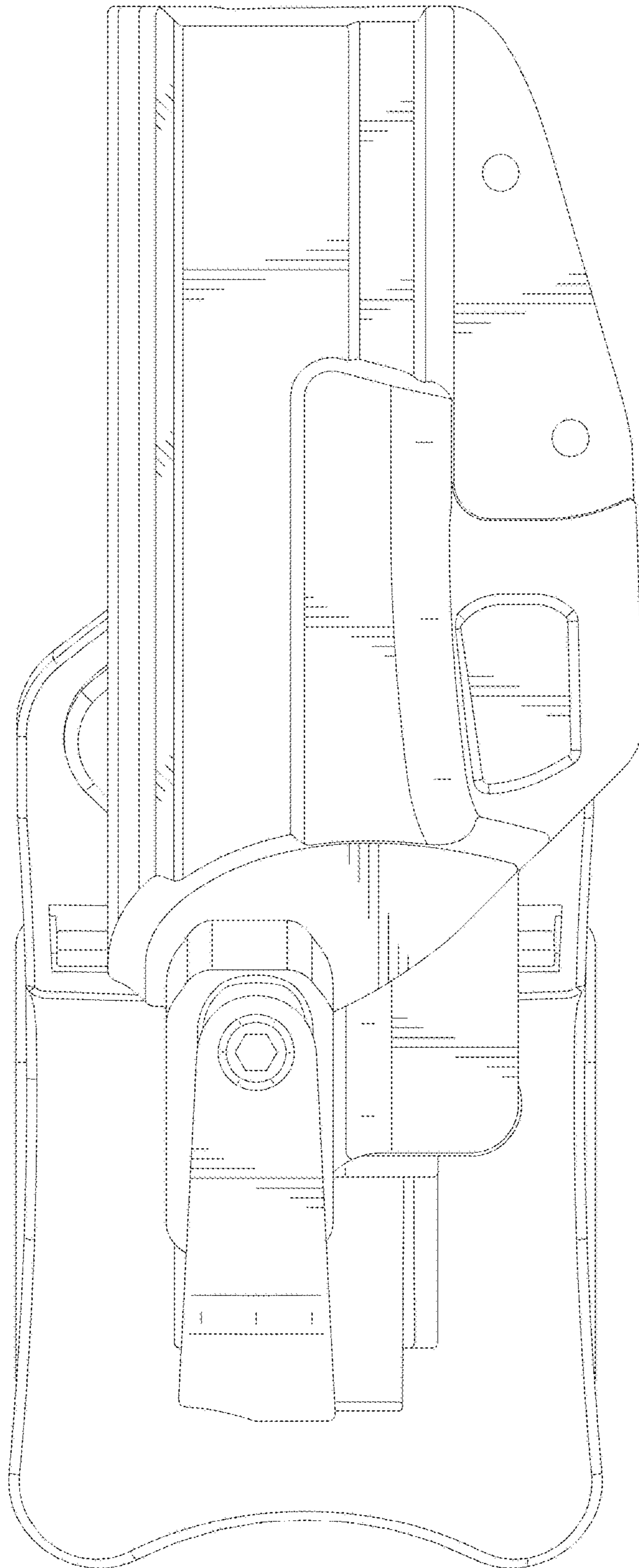


FIG.3

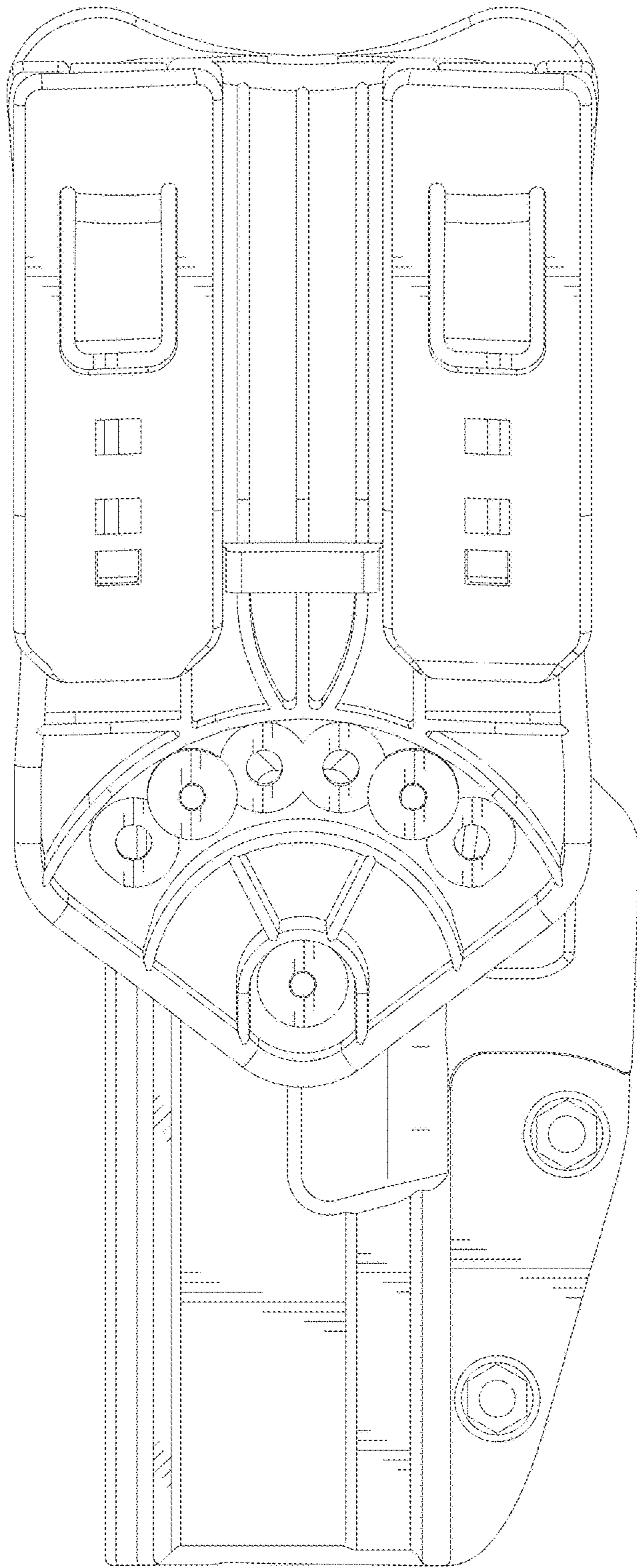


FIG.4

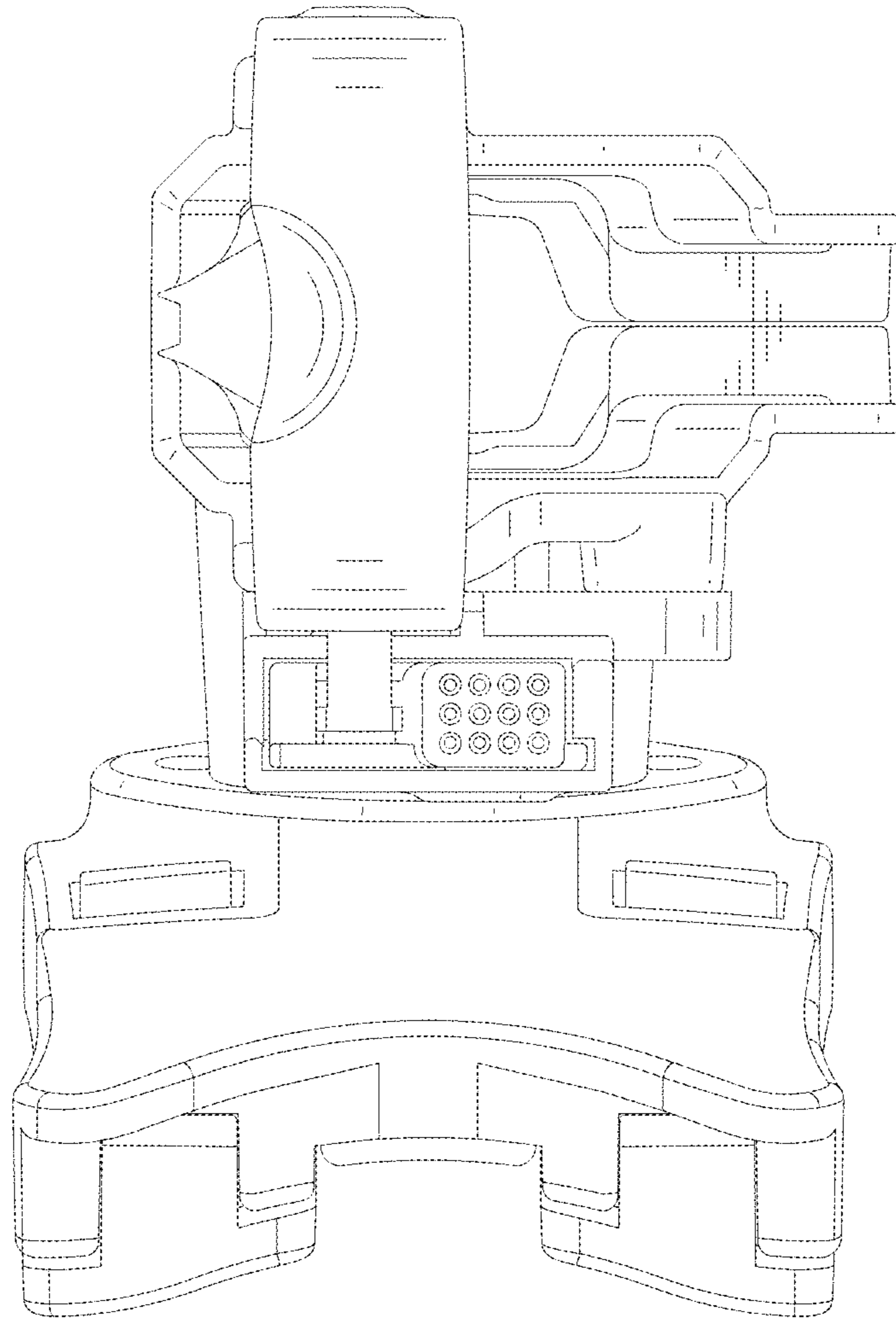


FIG.5

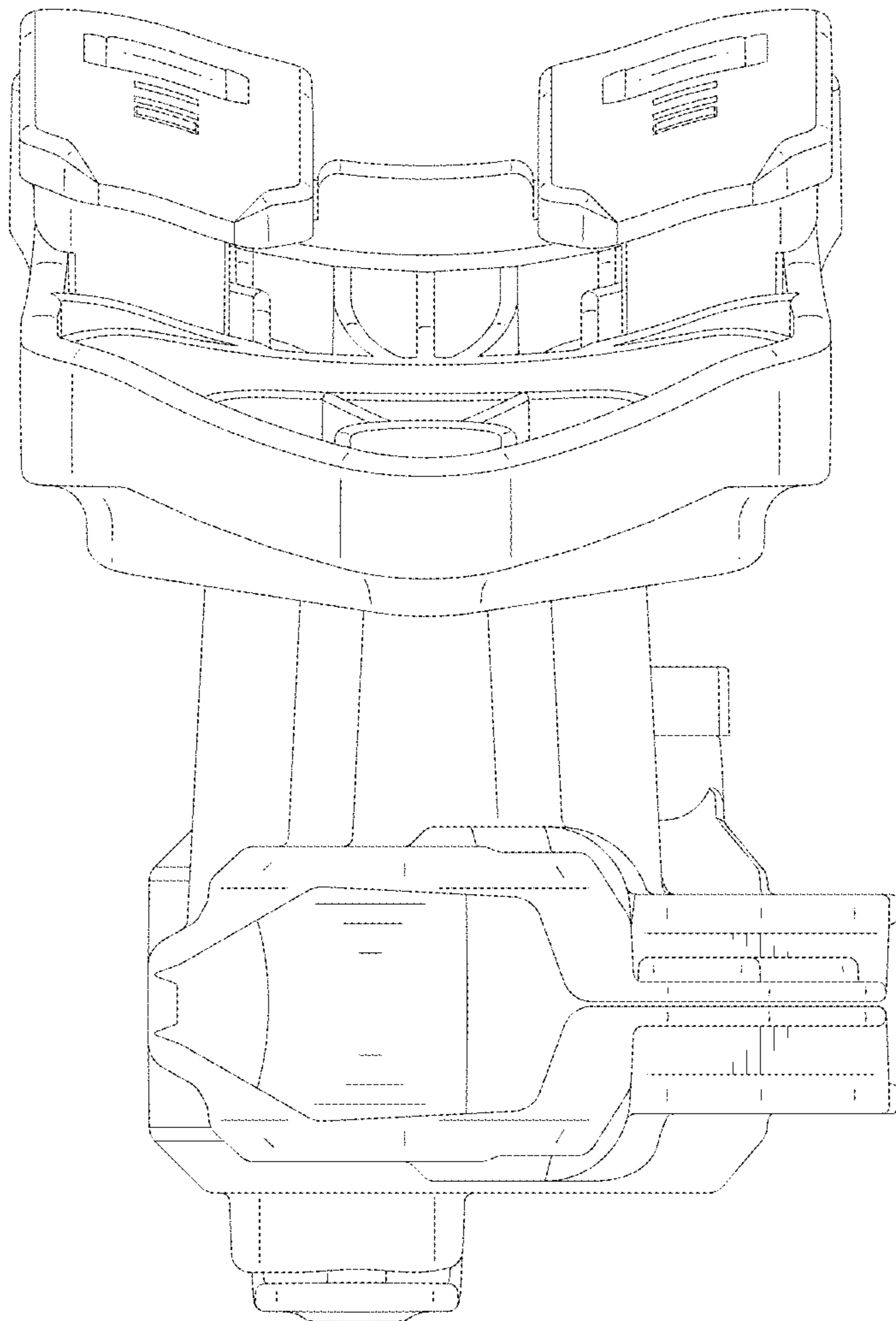


FIG.6

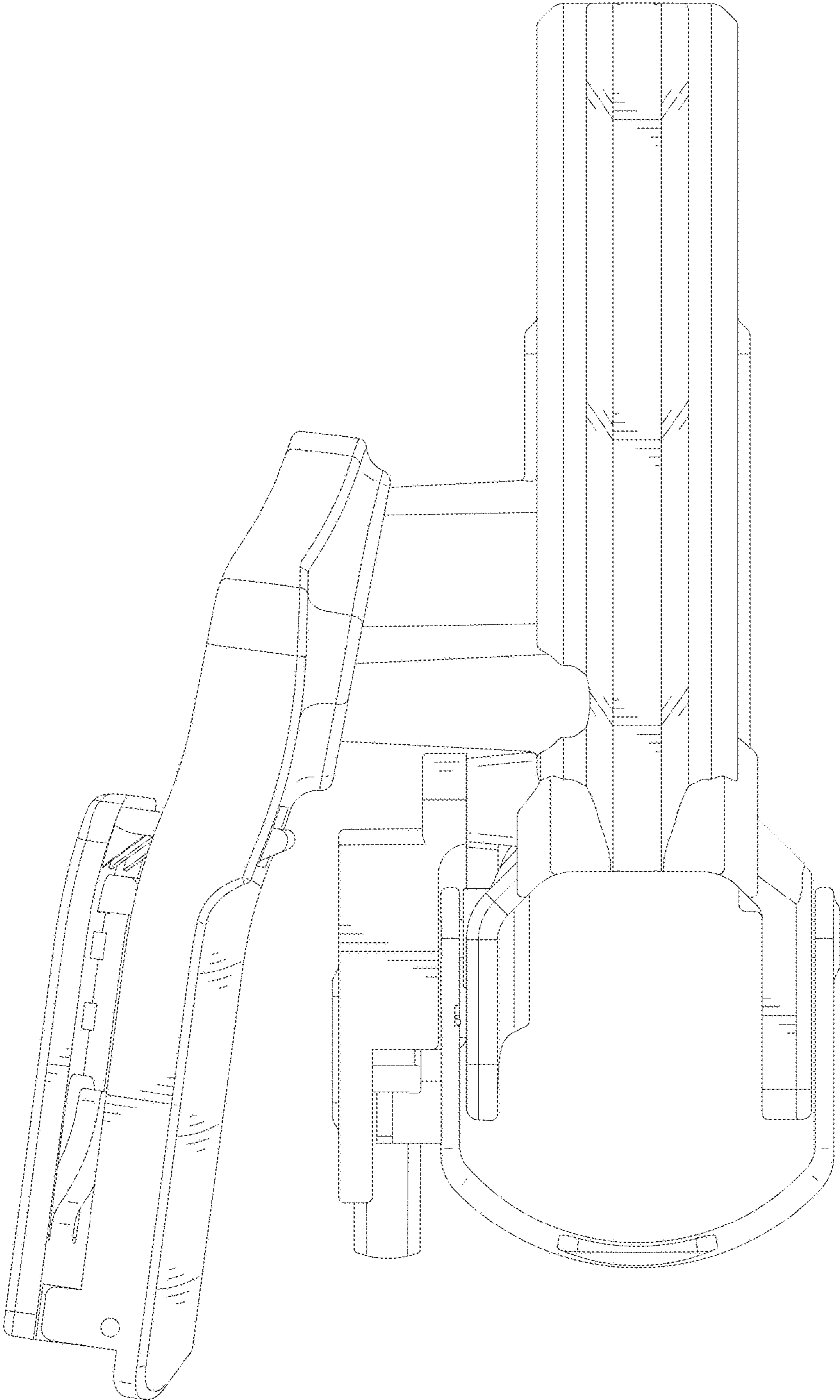


FIG.7

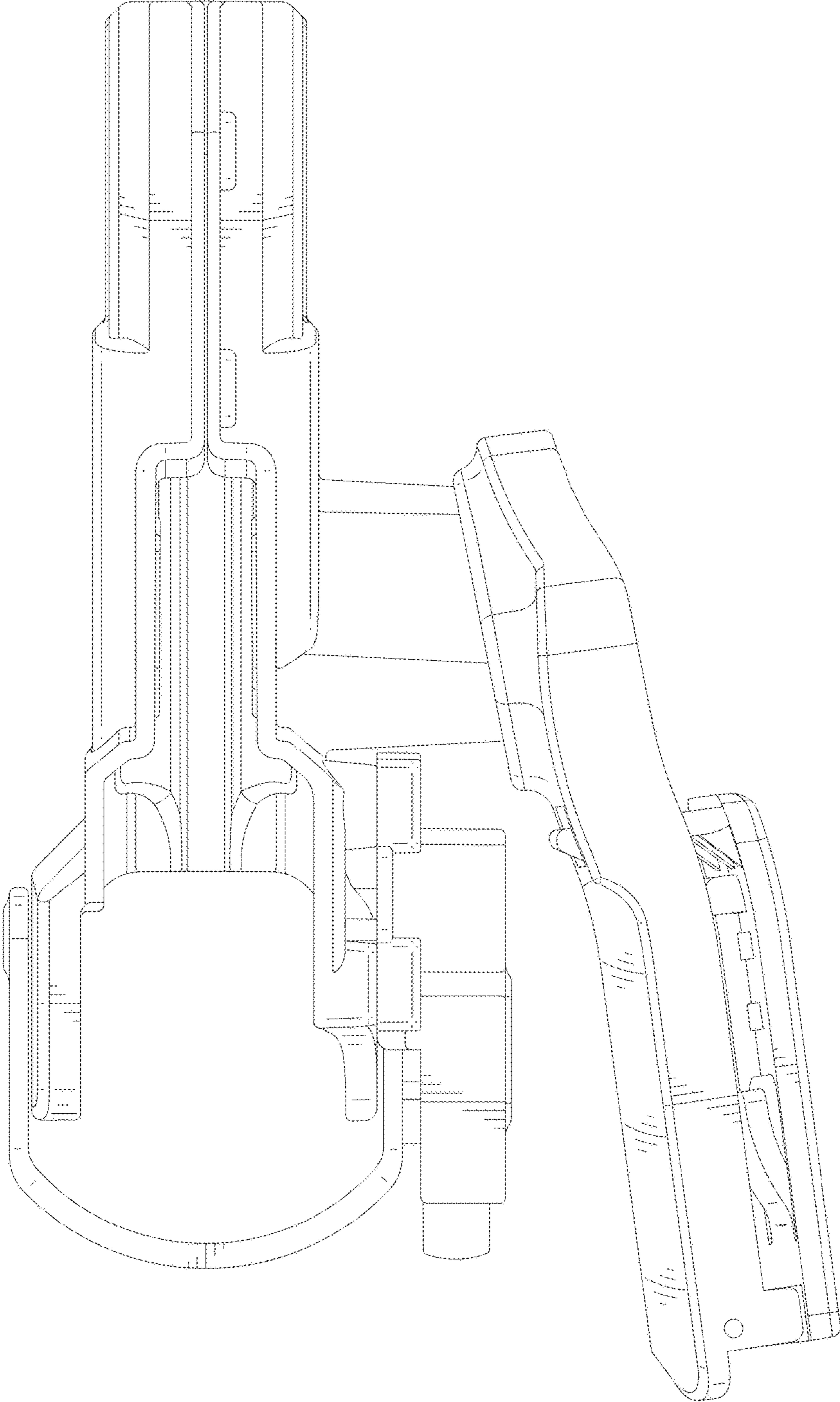


FIG.8