



US00D792088S

(12) **United States Design Patent**
Laemmlen

(10) **Patent No.:** **US D792,088 S**
(45) **Date of Patent:** **** Jul. 18, 2017**

- (54) **WEAPON HOLSTER**
- (71) Applicant: **StealthGearUSA LLC**, American Fork, UT (US)
- (72) Inventor: **Paul Laemmlen**, Cedar Hills, UT (US)
- (73) Assignee: **StealthGearUSA, Inc.**, American Fork, UT (US)
- (**) Term: **15 Years**
- (21) Appl. No.: **29/581,166**
- (22) Filed: **Oct. 17, 2016**

- D543,353 S 5/2007 Carver et al.
- D543,354 S 5/2007 Carver et al.
- 7,314,152 B1 1/2008 Garrett
- D603,159 S 11/2009 Zusman
- D681,943 S 5/2013 Beard et al.
- D773,806 S 12/2016 Laemmlen

Related U.S. Application Data

- (62) Division of application No. 29/527,881, filed on May 22, 2015, now Pat. No. Des. 773,806.
- (51) **LOC (10) Cl.** **03-01**
- (52) **U.S. Cl.**
USPC **D3/222**
- (58) **Field of Classification Search**
USPC D22/222-223; 224/191-193, 197-198, 224/238, 243, 240, 911-912, 914, 901.4, 224/673
CPC A45F 5/021; F41C 33/026
See application file for complete search history.

References Cited

U.S. PATENT DOCUMENTS

- D335,221 S 5/1993 Nichols
- D392,458 S 3/1998 Batts

OTHER PUBLICATIONS

Notice of Allowance dated Oct. 3, 2016 for Design U.S. Appl. No. 29/527,881.
Restriction Requirement dated Jul. 27, 2016 for U.S. Appl. No. 29/527,881.

Primary Examiner — Catheri Oliver-Garcia
(74) *Attorney, Agent, or Firm* — The Mueller Law Office, P.C.

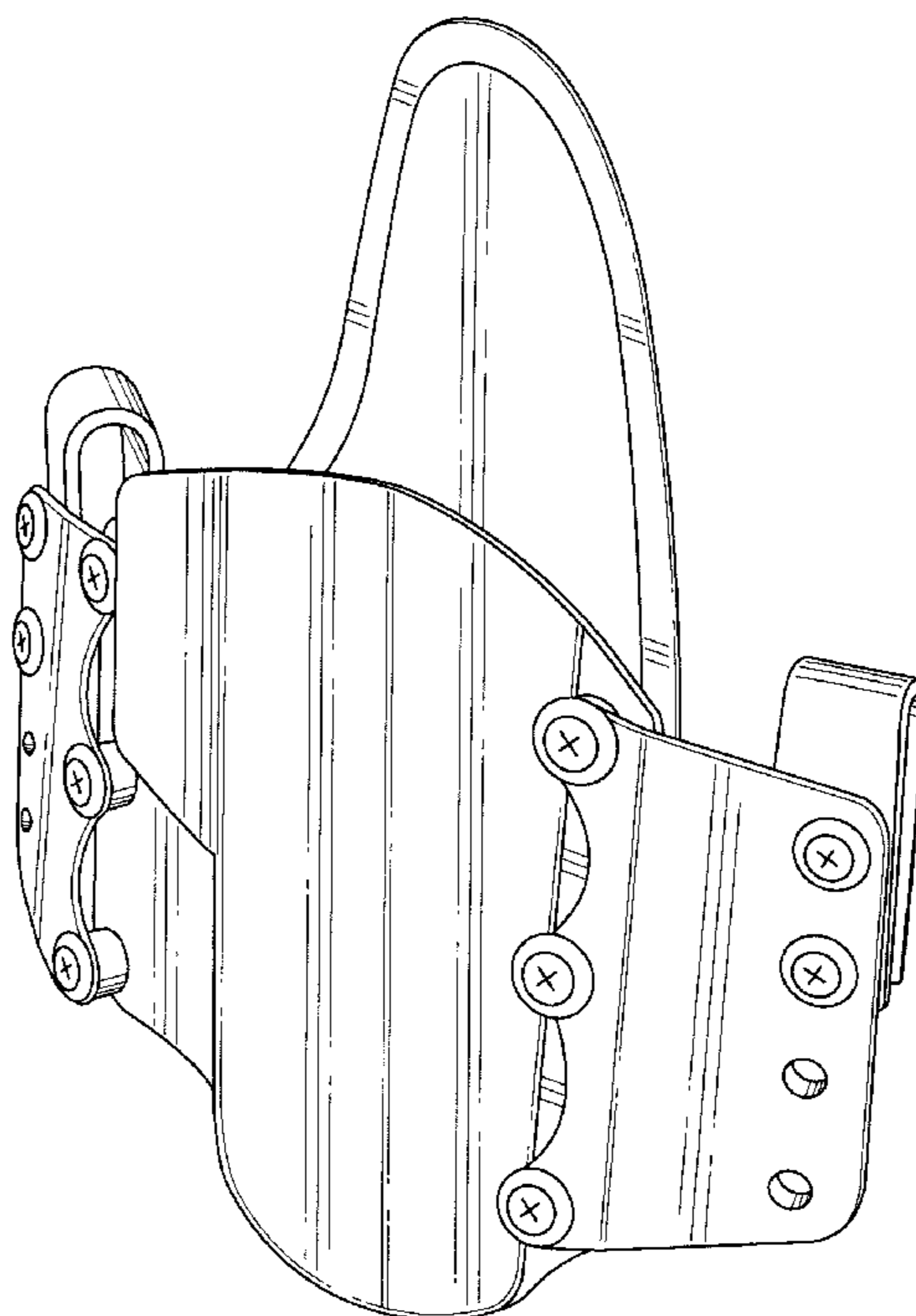
CLAIM

(57) The ornamental design for a weapon holster, as shown and described.

DESCRIPTION

FIG. 1 is a perspective view of a design for a weapon holster; FIG. 2 is a front view of the weapon holster of FIG. 1; FIG. 3 is a rear view of the weapon holster of FIG. 1; FIG. 4 is a top view the weapon holster of FIG. 1; FIG. 5 is a bottom view the weapon holster of FIG. 1; FIG. 6 is a right side view of the weapon holster of FIG. 1; and, FIG. 7 is a left side view the weapon holster of FIG. 1.

1 Claim, 5 Drawing Sheets



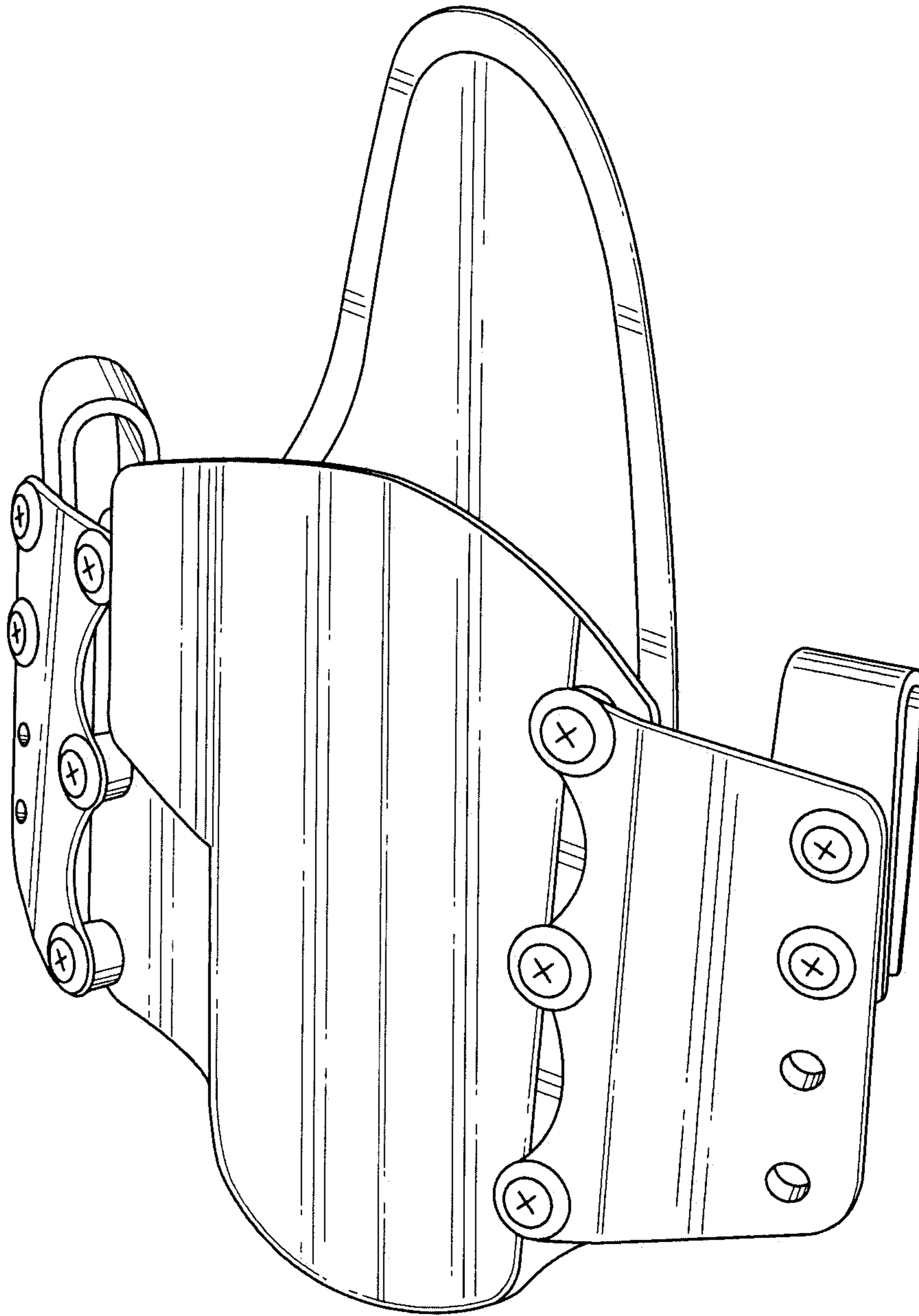


FIG. 1

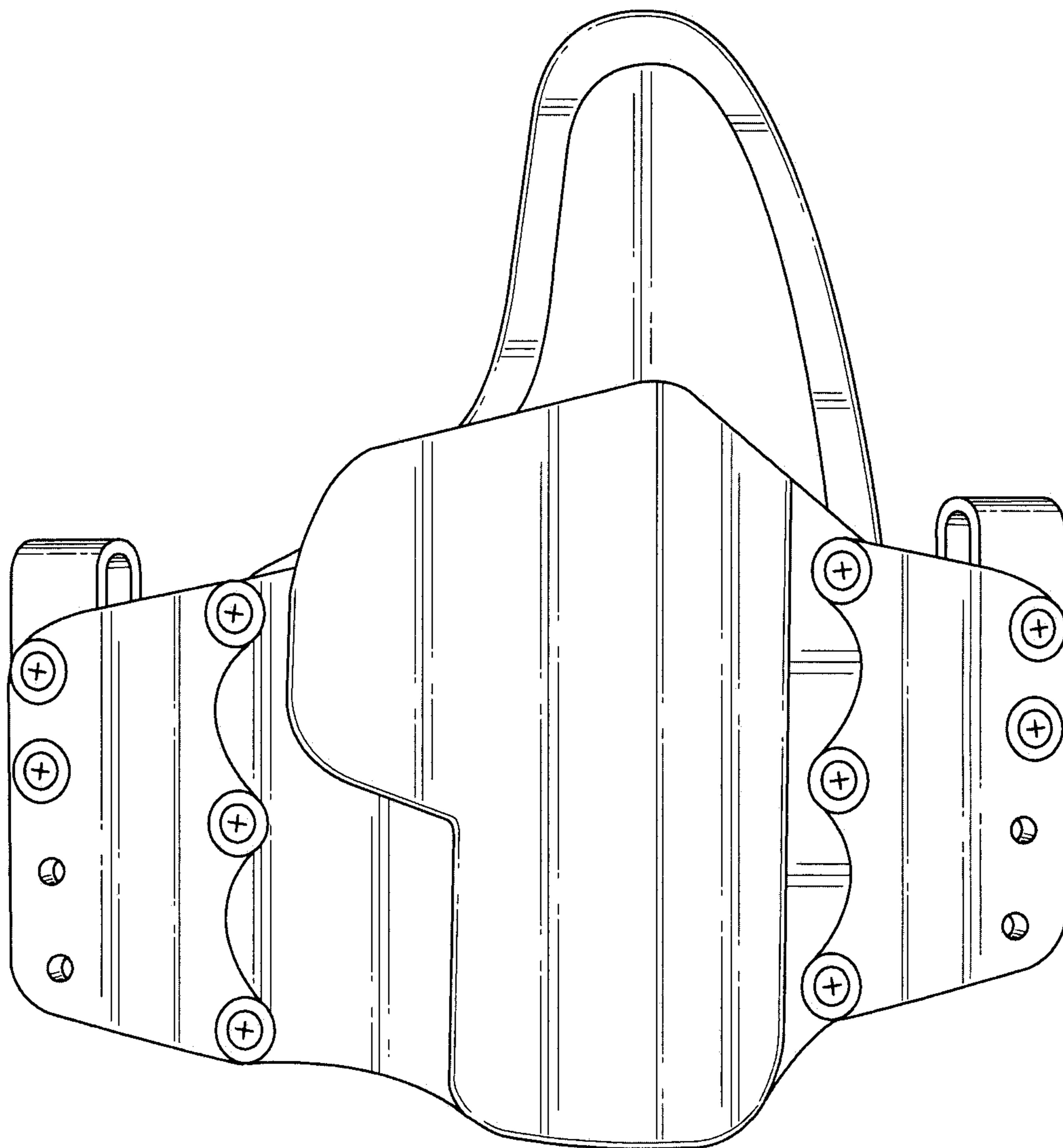


FIG. 2

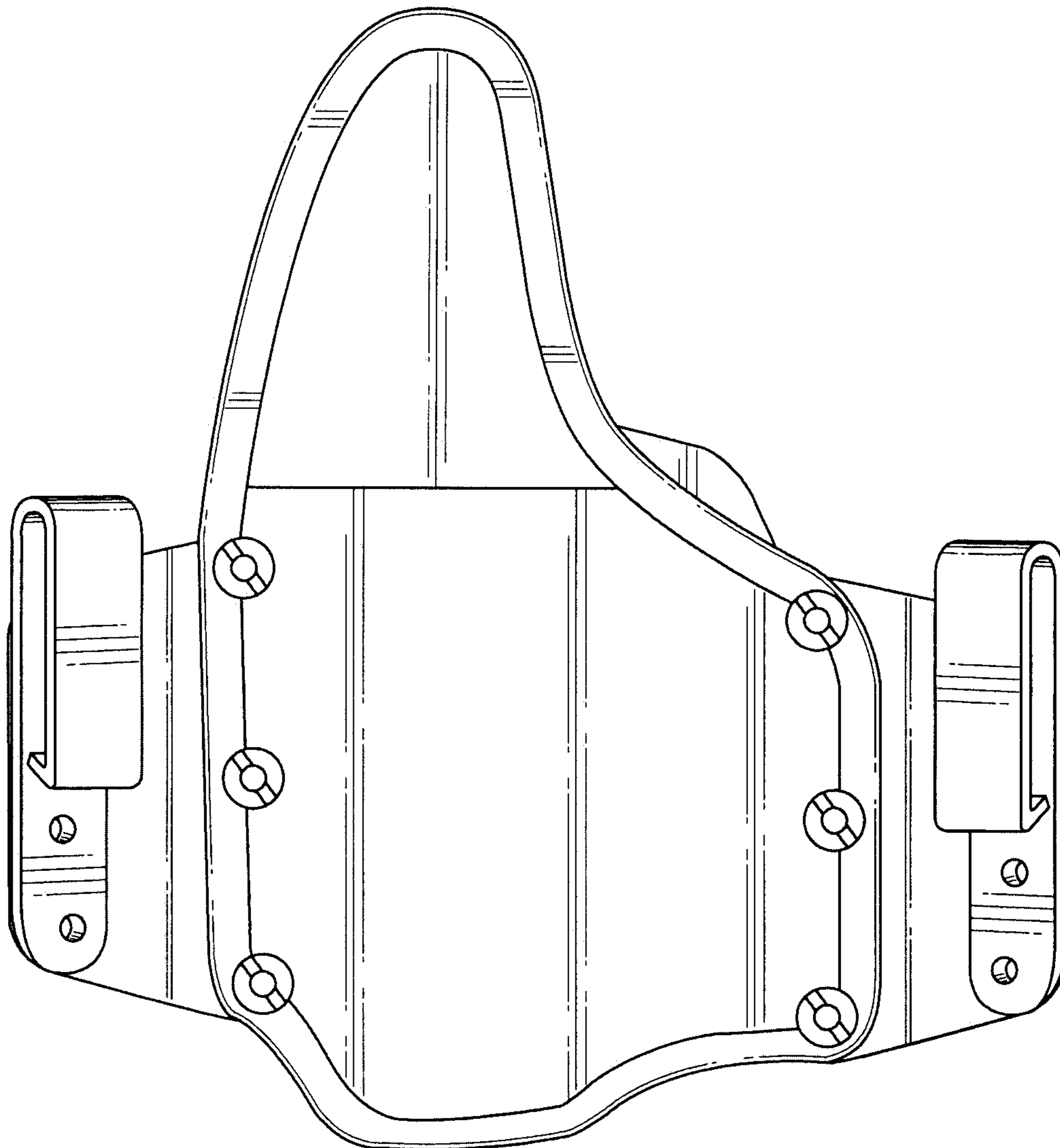


FIG. 3

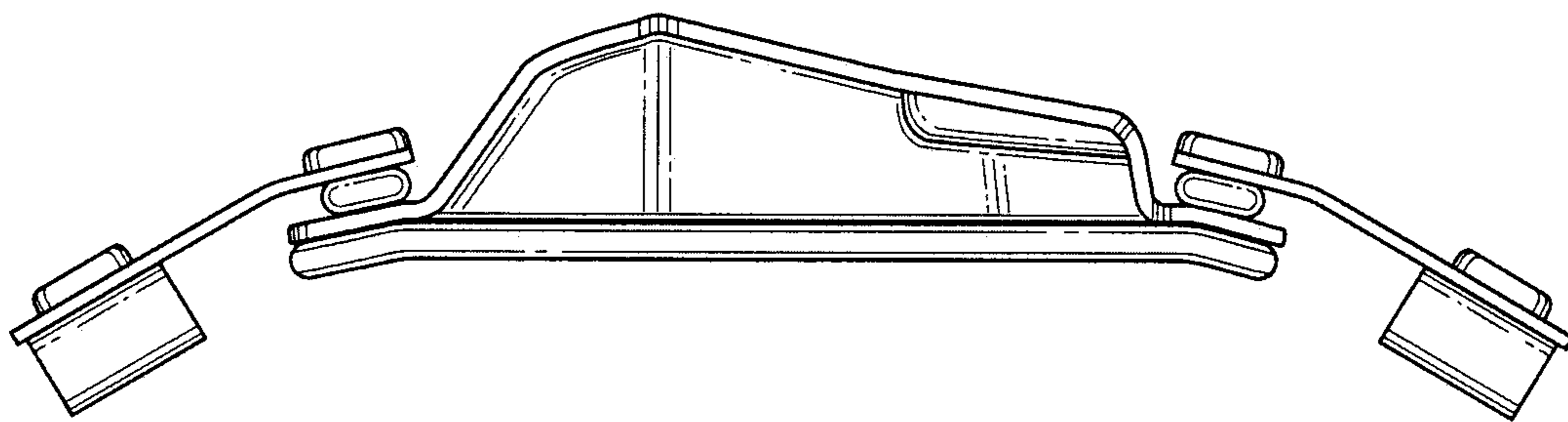


FIG. 4

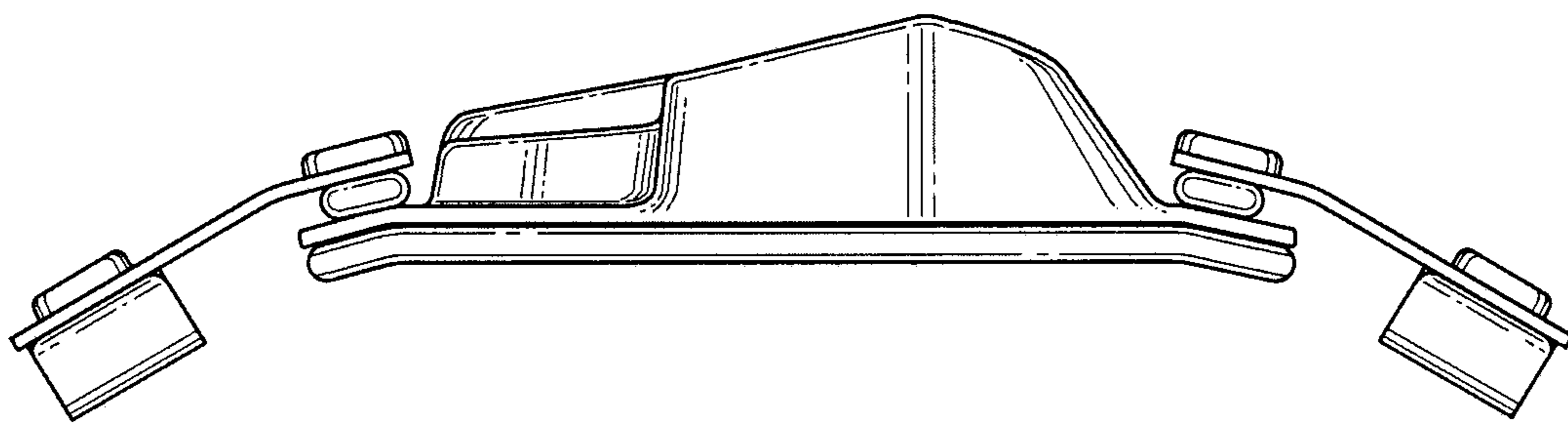


FIG. 5

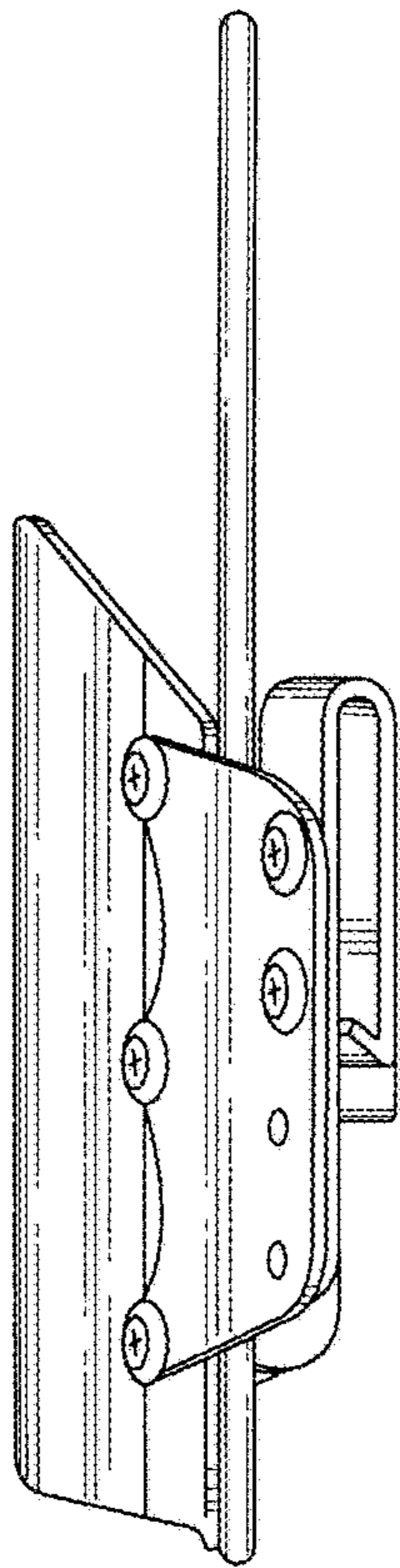


FIG. 6

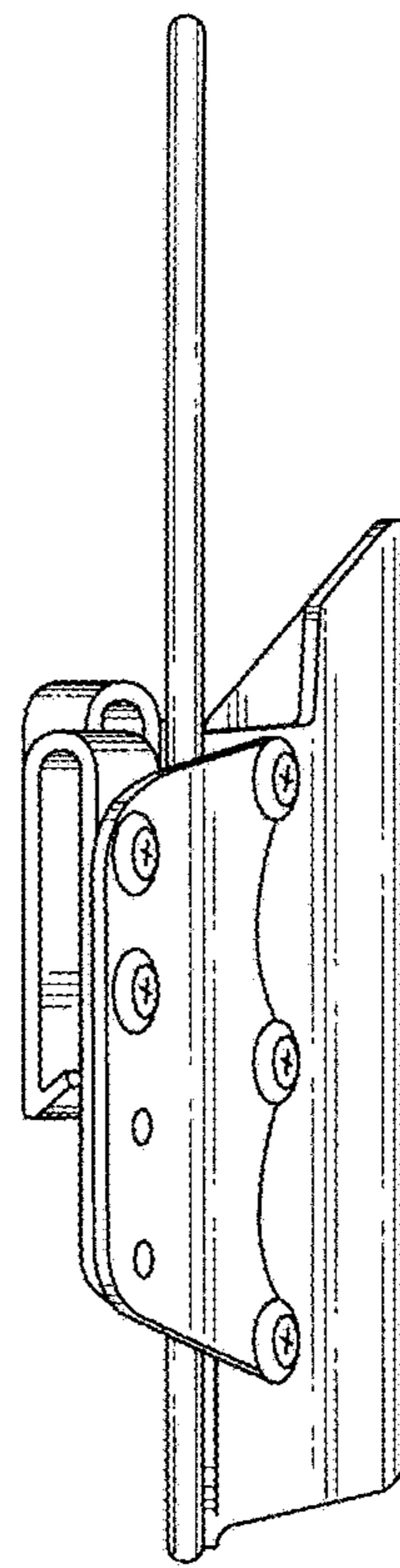


FIG. 7